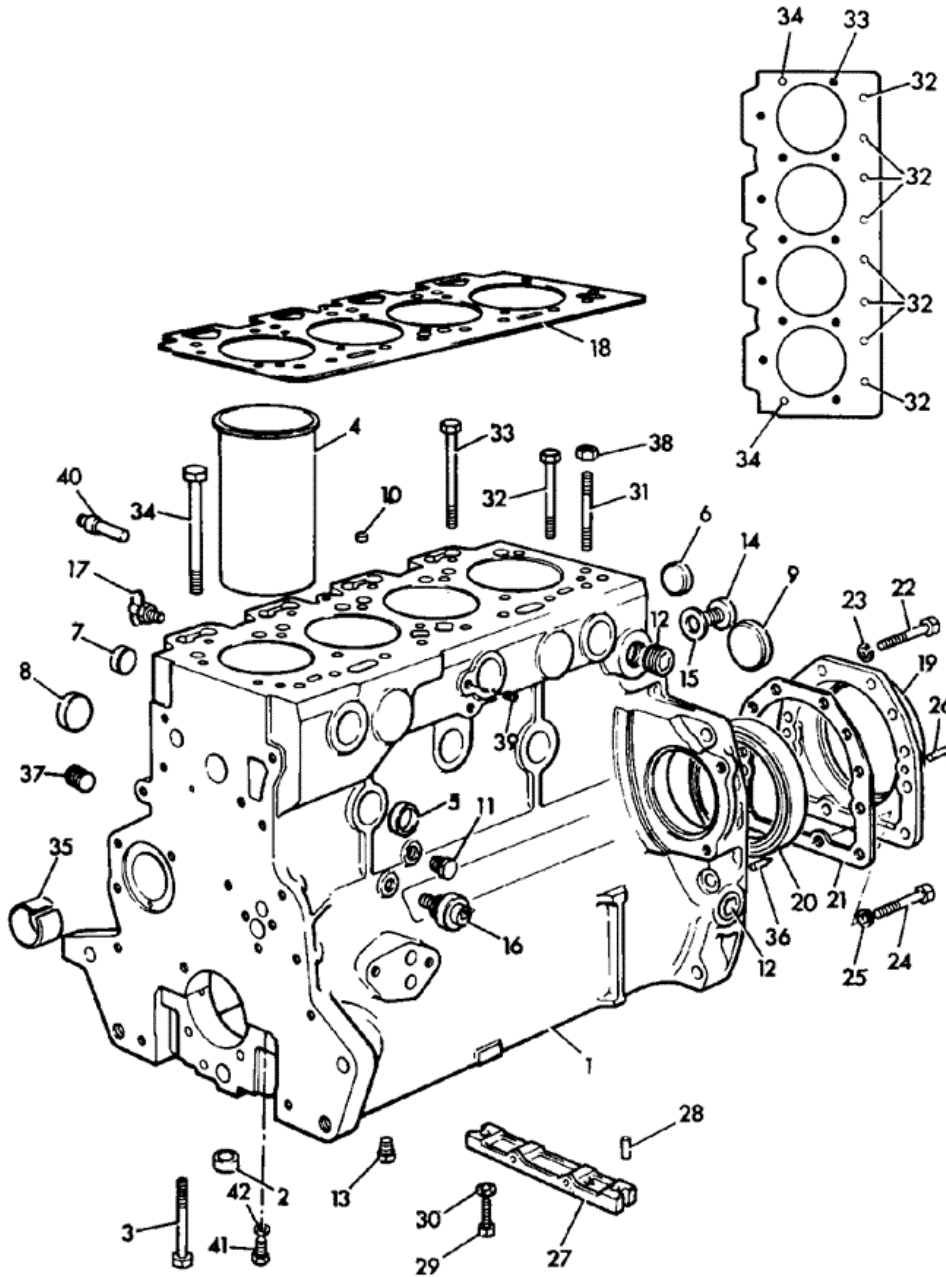




9802/8500 L1-1-3 BLOCK ASSEMBLY IMPERIAL LJ BUILD



064543

Item	Part #	Change No	Description	Usage Code	QTY
1	02/101371	Superseded	Block assembly, cylinder <i>LJ50117 Includes items 2.3.4.5.6.7 & 35</i> <i>See Note 1</i>		1

1	02/101661	<EU027773M	Block assembly Cylinder <i>LJ50117, LJ50183 Includes 2.3.4.5.6.7.35 & 40</i> <i>See Note 2</i>	1
1A	02/101800		Block cylinder assembly <i>See Note 2 Includes 2.3.4.5.6.7.35 & 40</i>	1
1A	M.S.S		Multi Supersession <i>Refer to Service Workshop Shop Manual</i> <i>See Note 3</i>	1
1B	02/101945		Block assembly Cylinder <i>Also READ item 7 footnote on frame L1-3-2</i> <i>See Note 4</i>	1
2	:02/100101		Thimble	10
3	:02/100102		Bolt	10
4	:02/100103	<EU083371N	Liner Press fit <i>With flame ring</i> <i>See Note 5</i>	4
4	02/102038	<EU083371N	Liner oversize - 0.010" 0.25mm <i>Used only with item 1A</i>	0
4	:02/101758	>EU083372N	Liner Press fit <i>See Note 5</i> <i>See Note 6</i>	4
4	02/100206	<EU083371N	Liner Slip fit <i>With flame ring</i>	4
4	02/101773	>EU083372N	Liner Slip fit <i>See Note 6</i>	4
5	:02/100105	Superseded	Plug core D=32mm	6
5	:02/100396		Plug core D=32mm	6
6	:02/100105	Superseded	Plug core D=32mm	2
6	:02/100396		Plug core D=32mm	2
7	:02/100106	<EU280718S	Plug core D=35mm	4
7	02/200454		Plug core D=38mm	4
8	02/100110		Plug core D=38mm	4
9	02/100107		Plug core D=50mm	1
10	02/100108		Plug	1
11	02/100132		Plug drain <i>Water Drain</i>	1
12	02/100134		Plug	3
13	02/100133		Plug	1
14	02/100111		Plug	1
15	823/00276		Washer	1
16	02/100123		Switch oil pressure	1
17	02/100132		Plug drain	1
17	02/100335		Tap drain <i>Alternative</i>	1
18	02/100117	<EU083371N	Gasket cylinder head	1
18	02/101824	Superseded	Gasket cylinder head	1
18	02/101994	Superseded	Gasket cylinder head	1
18	02/102044		Gasket cylinder head	1
19	02/101704	Superseded	Housing rear seal	1
19	02/200223	Superseded	Housing rear seal	1
19	02/200523	Superseded	Housing rear seal	1
19	M.S.S		Multi Supersession <i>Part N.L.A use 19A with 21A,22A,23A & 27C</i>	1
19A	02/200958	>EU580351X	Housing rear seal	1
20	02/101436		Seal rear oil	1
21	02/100113	<EU580350X	Gasket rear seal housing	1

21A	02/200959	>EU580351X	Gasket rear seal housing	1
22	1305/0106Z		Bolt 5/16"UNF x 1" long	10
22A	1305/0106Z	>EU580351X	Bolt 5/16"UNF x 1" long	2
23	1410/0002Z		Washer (5/16" Small)	10
23A	1410/0002Z	>EU580351X	Washer (5/16" Small)	2
24	1381/3106		Capscrew	2
25	02/100307		Washer	2
26	02/100308		Dowel	2
27	02/100104	Superseded	Bridge piece <i>use with 2 off 02/100327</i>	1
27	M.S.S		Multi Supersession <i>Part N.L.A use 27A with 2 off 02/101791</i>	1
27A	02/101790	Superseded	Bridge piece	1
27A	M.S.S		Multi Supersession <i>Part N.L.A use 27B with 2 off 1305/0104Z</i>	1
27B	02/102034	<EU580350X	Bridge piece	1
27C	02/102107	>EU580351X	Bridge piece	1
28	02/100112		Seal <i>Used only with items 27 & 27A</i>	2
28	****		'See Remark' <i>Sealant, Used only with item 27B & 27C See Note 7</i>	1
29	826/00759		Bolt	2
30	02/100309		Washer	2
31	02/100118	<EU874811J	Stud	2
32	02/100120	<EU874811J	Bolt cylinder head check engine for quantities either 10 or 12 bolts	6
32	02/100120	<EU027773M	Bolt cylinder head check engine for quantities either 10 or 12 bolts	8
32A	02/101762		Bolt 103mm	8
33	02/100121	<EU027773M	Bolt cylinder head	12
33A	02/101761		Bolt 119mm	12
34	02/100122	<EU027773M	Bolt cylinder head	2
34A	02/101760		Bolt 140mm	2
35	:02/192001		Bush camshaft <i>Included in item 1</i>	1
36	02/100136		Pointer Timing	1
37	02/100138		Plug	1
38	02/100119	<EU874811J	Nut	2
39	02/101810		Plug	1
40	:02/101827	>EU027774M	Plug <i>Included in item 1</i>	1
41	02/101756		Plug	4
42	823/00273		Washer	4

Note 1: Blocks stamped M7BA0234 require additional items 41 & 42.

Note 2: Old type Standard Block uses cylinder liners with flame ring.

Note 3: Part N.L.A. use 02/101945 with 1 off 2102/0604, 02/192076, 02/102044 and 3 off 02/101905.

Note 4: New Block(enlarged bore) uses liners without flame ring, Refer to Service Workshop Manual.

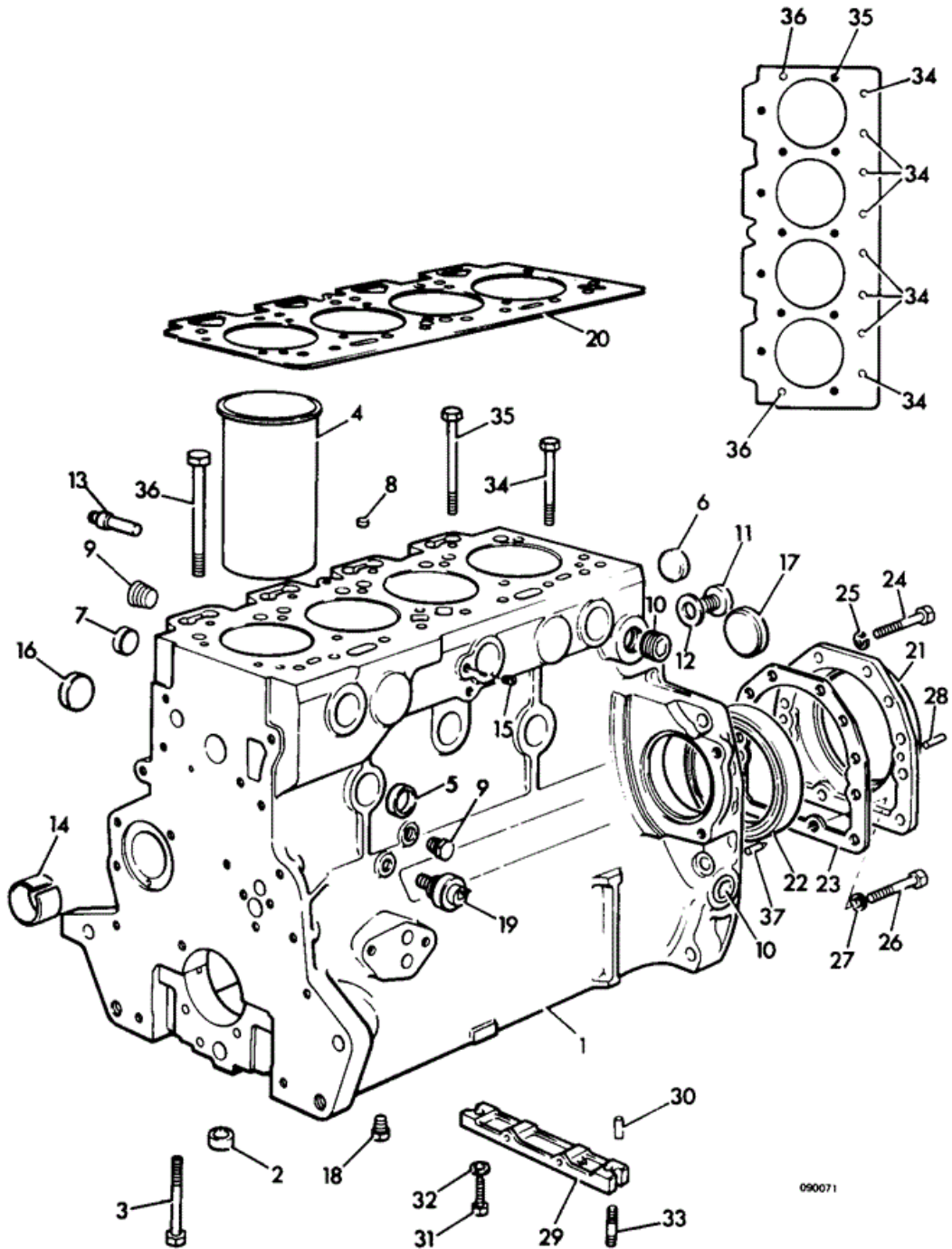
Note 5: Special tools for fitting, boring and honing required, General service use slip-fit type.

Note 6: Without flame ring, Used only with Cylinder Block 02/101945.

Note 7: Refer to Service Workshop Manual.



9802/8500 L1-1-5 BLOCK ASSEMBLY METRIC LJ BUILD

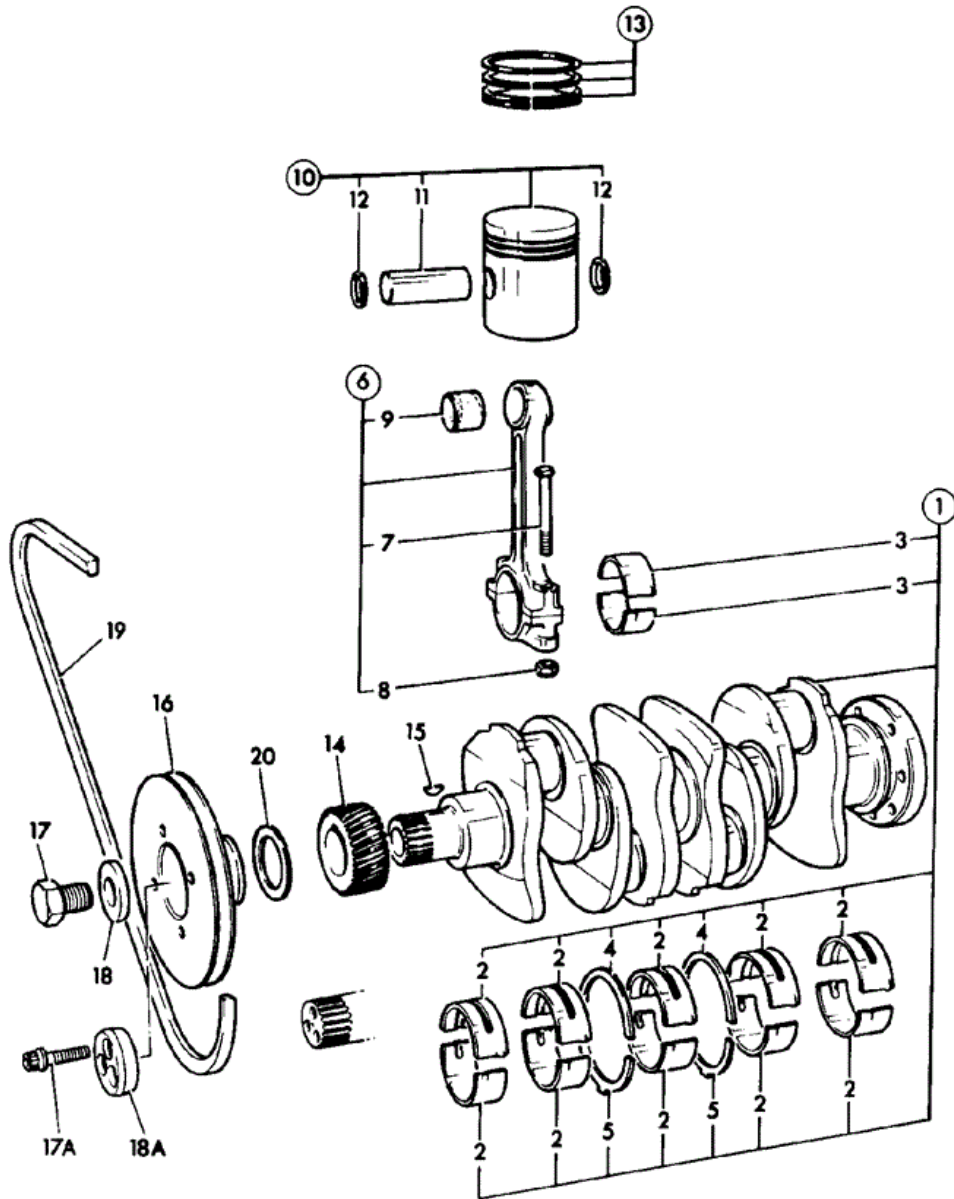


Item	Part #	Change No	Description	Usage Code	QTY
1	02/101900		Block assembly, cylinder <i>See Note 1</i>		1
2	:02/100101		Thimble		10
3	:02/100102		Bolt		10
4	:02/101758		Liner Press fit		4
4	:02/101773		Liner Slip fit		4
5	:02/100105	Superseded	Plug core D=32mm		6
5	:02/100396		Plug core D=32mm		6
6	:02/100105	Superseded	Plug core D=32mm		2
6	:02/100396		Plug core D=32mm		2
7	:02/100106	<EU280718S	Plug core D=35mm		4
7	:02/100397		Plug core D=38mm		4
8	:02/100108		Plug		1
9	:02/100132		Plug drain <i>Water Drain</i>		2
9	02/100335		Tap drain <i>Alternative</i>		2
10	:02/100134		Plug		3
11	02/100111		Plug		1
12	823/00276		Washer		1
13	:02/101827		Plug		1
14	:02/192001		Bush camshaft		1
15	02/101810		Plug		1
16	:02/100110		Plug core D=38mm		4
17	:02/100107		Plug core D=50mm		1
18	02/100133		Plug		1
19	02/100123		Switch oil pressure <i>LJ Build</i>		1
20	02/101824	Superseded	Gasket cylinder head		1
20	02/101994	Superseded	Gasket cylinder head		1
20	02/102044		Gasket cylinder head		1
21	02/101704	Superseded	Housing rear seal		1
21	02/200223	Superseded	Housing rear seal		1
21	02/200523	Superseded	Housing rear seal		1
21	M.S.S	<EU580350X	Multi Supersession <i>Part N.L.A use 21A with items 23A,24A,25A,29B</i>		1
21A	02/200958	>EU580351X	Housing rear seal		1
22	02/101436		Seal rear oil		1
23	02/100113	<EU580350X	Gasket rear seal housing		1
23A	02/200959	>EU580351X	Gasket rear seal housing		1
24	1305/0106Z		Bolt 5/16"UNF x 1" long		10
24A	1305/0106Z	>EU580351X	Bolt 5/16"UNF x 1" long		2
25	1410/0002Z		Washer (5/16" Small)		10
25A	1410/0002Z	>EU580351X	Washer (5/16" Small)		2
26	1381/3106		Capscrew		2
27	02/100307		Washer		2
28	02/100308		Dowel		2
29	02/101790	Superseded	Bridge piece		1
29	M.S.S		Multi Supersession <i>Part N.L.A use 29A with item 33A</i>		1
29A	02/102034	<EU580350X	Bridge piece		1
29B	02/102107	>EU580351X	Bridge piece		1

30	02/100112		Seal <i>Used only with item 29</i>	2
30	****		'See Remark' <i>Used only with item 29A & 29B</i>	0
31	826/00759		Bolt	2
32	02/100309		Washer <i>Used only with item 29</i>	2
33	02/101791		Stud <i>Used only with item 29</i>	2
33A	1305/0104Z		Setscrew (5/16" UNF x 3/4") <i>Used only with item 29A</i>	2
34	02/101762		Bolt 103mm	8
35	02/101761		Bolt 119mm	12
36	02/101760		Bolt 140mm	2
37	02/100136		Pointer Timing	1

Note 1: Includes items 2.3.4.5.6.7.8.9.10.13.14.16 & 17.

JCB 9802/8500 L1-2-3 CRANKSHAFT, BEARINGS PISTONS,
 CON-RODS PULLEY & FAN BELT, LJ BUILD



064512

Item	Part #	Change No	Description	Usage Code	QTY
1	02/101372	Superseded	Crankshaft assembly		1

1	02/101835		Crankshaft assembly <i>Includes items 17A & 18A</i>	1
2	:02/192002		Kit-bearing Main Standard	1
2	02/192003		Kit-bearing Main Undersize - .010inch	1
2	02/192004		Kit-bearing Main Undersize - .020inch	1
2	02/192005		Kit-bearing Main Undersize - .030inch	1
3	:02/192078		Kit-bearing Big end Standard	1
3	02/192079		Kit-bearing Big end Undersize - .010inch	1
3	02/192080		Kit-bearing Big end Undersize - .020inch	1
3	02/192081		Kit-bearing Big end Undersize - .030inch	1
4	:02/192010	Superseded	Washer thrust top - standard	2
4	:02/192083		Washer thrust top - standard	2
4	02/192011		Washer thrust top-oversize 0.19mm	1
5	:02/192012	Superseded	Washer thrust bottom - standard	2
5	:02/192084		Washer thrust bottom - standard	2
5	02/192013		Washer thrust btm-oversize 0.19mm	2
6	02/101632		Rod assembly connecting	4
7	:02/100127	Superseded	Bolt	2
7	:02/291072		Bolt	2
8	:02/100128		Nut	2
9	:02/192019		Bush small end	1
10	02/100130	<EU027773M	Piston assembly <i>LJ50117,LJ50183</i>	4
10	02/101759	<EU433431U	Piston assembly <i>ORIGINAL has "KS" stamped on piston top face See Note 1</i>	4
10	02/101759	>EU433432U	Piston assembly <i>ORIGINAL has "S" stamped on plate R/H side See Note 2</i>	1
10A	02/102068		Piston assembly <i>ALTERNATIVE has "ML" stamped on piston top See Note 3</i>	4
10A	02/102068	>EU433432U	Piston assembly <i>ALTERNATIVE has "L" stamped on plate R/H side See Note 2</i>	1
11	:N.S.P.		None serviced part <i>Gudgeon pin</i>	1
12	:02/100129		Circlip	2
13	02/100131	<EU027773M	Kit-piston ring <i>LJ50117,LJ50183</i>	4
13	02/101639	<EU391618U	Kit-piston ring 3 groove <i>May be replaced by 13A, in ENGINE SETS ONLY.</i>	4
13A	02/102055	>EU391619U	Kit-piston ring <i>Fit in ENGINE SETS ONLY</i>	4
14	02/190001		Gear crankshaft	1
15	02/100038		Key	1
16	02/101511	Superseded	Pulley Crankshaft <i>LJ50117</i>	1
16	02/102042	<EU931483L	Pulley crankshaft <i>Item 20 is not required with this pulley</i>	1
16	02/101572	<EU955898L	Pulley Spoked Crankshaft <i>LJ50117</i>	1
16	02/101603	Superseded	Pulley Crankshaft With drive boss <i>LJ50117</i>	1
16	02/102043		Pulley crankshaft <i>Item 20 not required with this pulley</i>	1

16	02/101603	Superseded	Pulley Crankshaft With drive boss <i>LJ50183</i>		1
16	02/102043	<EU990451L	Pulley crankshaft <i>Item 20 not required with this pulley</i>		1
16	02/101736		Pulley Crankshaft <i>LJ50183,LJ50223</i>		1
17	02/100311	Superseded	Bolt		1
17	02/101586	<EU070681N	Bolt		1
17A	02/101813		Capscrew		3
18	02/100139	<EU070681N	Washer		1
18A	02/101812		Block Thrust		1
19	02/101367	Superseded	Belt Fan		1
19	02/101740	<EU121436N	Belt fan pair <i>See Note 4</i>		1
19	02/101573		Belt drive - pair L=1350mm <i>See Note 5</i>		1
20	02/100178	<EU931483L	Washer		1

Note 1: An alternative piston item 10A was fitted from engine No.U424723U on, DO NOT MIX.

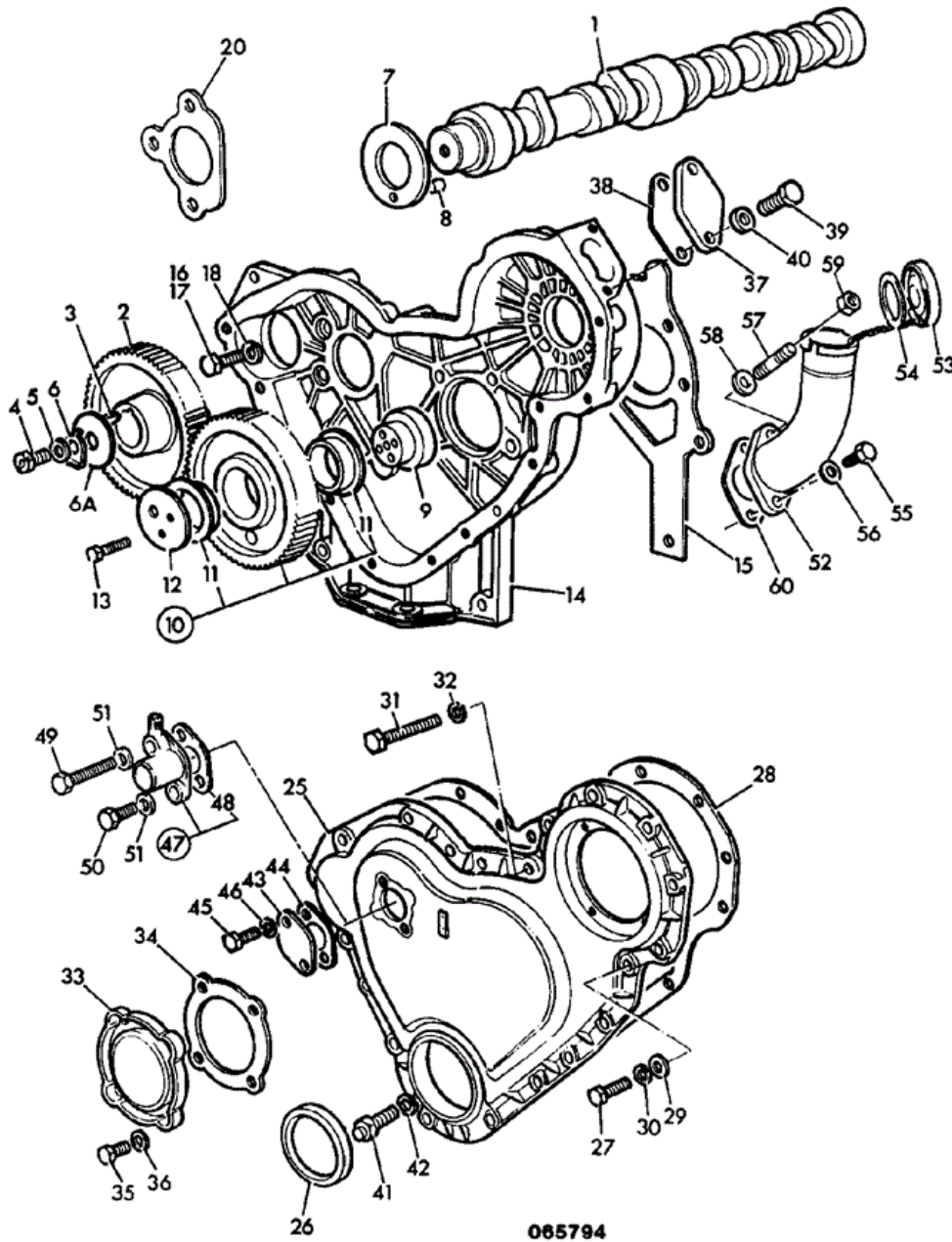
Note 2: The piston identity code is now located on the engine serial number plate.

Note 3: Due to weight difference with this piston and ORIGINAL, FIT IN ENGINE SETS ONLY.

Note 4: When replacing 45amp alternators with latest 55amp type use fan belt 02/101573.

Note 5: Used only when fitting 55amp alternators

JCB 9802/8500 L1-3-4 TIMING CASE CAMSHAFT & GEARS
 METRIC, LJ BUILD

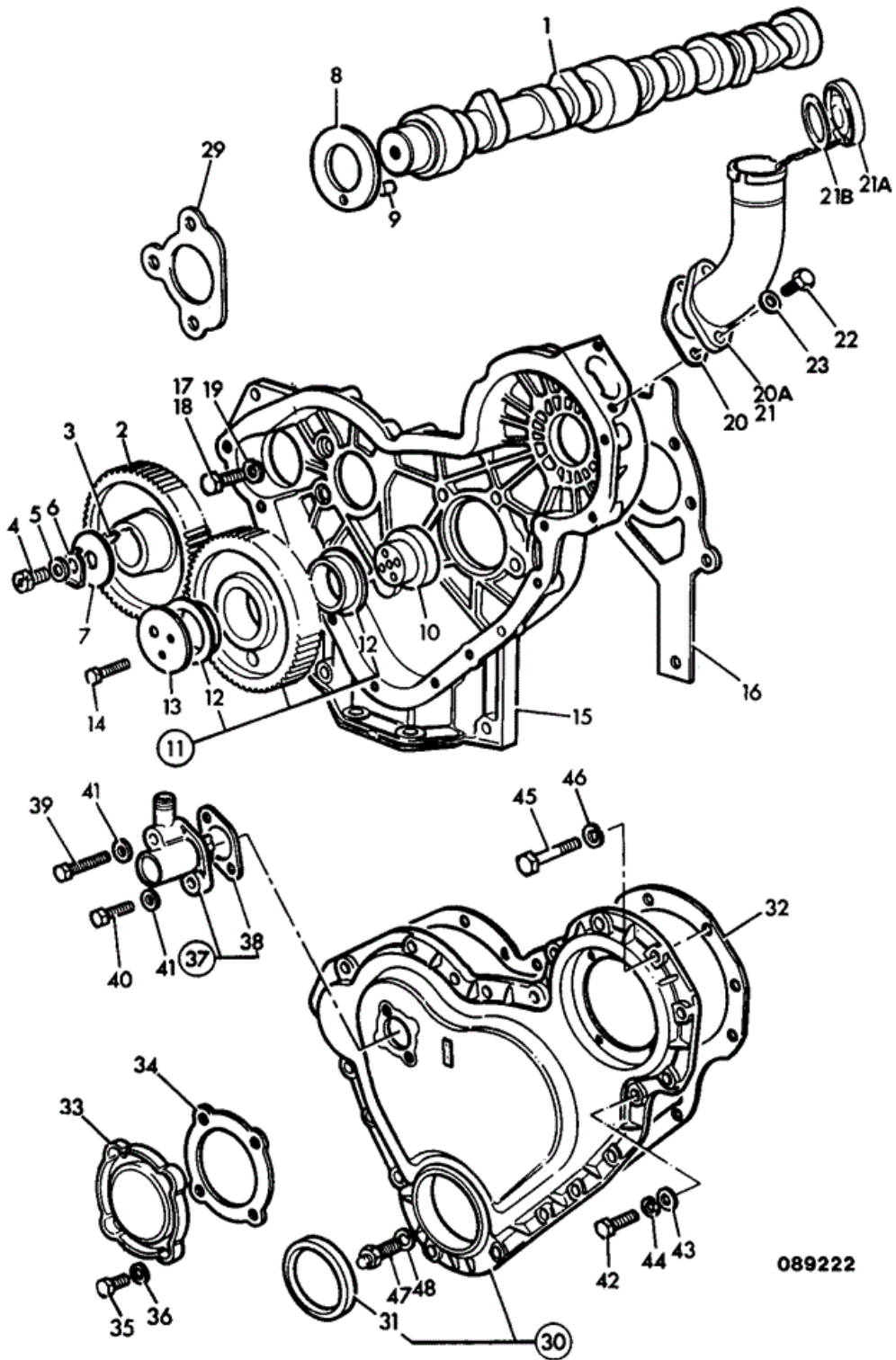


Item	Part #	Change No	Description	Usage Code	QTY
			Camshaft		

1	02/101897	Superseded	<i>LJ50223</i>		1
1	02/101904		Camshaft		1
2	02/190032		Gear camshaft <i>LJ50223</i>		1
3	02/100038		Key		1
4	02/100312		Bolt		1
5	02/100306		Washer		1
6	02/100305		Washer tab		1
6A	02/100313		Plate thrust		1
7	02/192046		Washer thrust		1
8	2102/0604		Dowel		1
9	02/100041		Hub		1
10	02/190033		Gear idler assembly <i>LJ50223</i>		1
11	:02/192016		Bush		2
12	02/100042		Plate		1
13	02/101905		Screw hexagon head		3
14	02/100002		Casing timing		1
15	02/101891		Gasket timing case		1
16	1305/0105Z		Bolt		8
17	1305/0106Z		Bolt 5/16"UNF x 1" long		1
18	1416/0005Z		Washer spring - 5/16" Zinc plated		9
19	813/00169		Gasket		1
20	813/00169		Gasket		1
24	1416/0004Z		Washer spring		2
25	02/100944		Cover timing		1
26	02/101435		Seal front oil		1
27	1305/0105Z		Bolt		14
28	02/100006	Superseded	Gasket timing cover		1
28	02/102086		Gasket timing cover		1
30	1416/0005Z		Washer spring - 5/16" Zinc plated		14
31	1305/3118Z		Bolt 5/16"UNF x 2.5" long		4
32	1416/0005Z		Washer spring - 5/16" Zinc plated		4
33	02/101796		Cover Inspection		1
34	02/100145		Gasket		1
35	1305/0103Z		Screw		4
36	1416/0005Z		Washer spring - 5/16" Zinc plated		4
41	02/101376		Pin Timing		1
42	1416/0005Z		Washer spring - 5/16" Zinc plated		1
47	02/300113		Drive Tachometer		1
48	02/100146		Gasket		1
49	1305/3010Z		Bolt		1
50	1305/0004Z		Bolt		1
51	1416/0004Z		Washer spring		2
52	02/101483		Tube oil filler assembly		1
53	:02/101484		Cap oil filler		1
54	:02/100421		Seal		1
55	1305/0104Z		Setscrew (5/16" UNF x 3/4")		1
56	1416/0005Z		Washer spring - 5/16" Zinc plated		1
57	822/00133		Stud		1
58	1340/0101Z		Nut		1
59	1416/0005Z		Washer spring - 5/16" Zinc plated		1



9802/8500 L1-3-7 TIMING CASE, CAMSHAFT & GEARS, L1 BUILD



089222

Item	Part #	Change No	Description	Usage Code	QTY
1	02/100040	<EU106654N	Camshaft <i>LH50133,LD50179,LD50145,LD50204,LH50205</i>		1
1	02/101890		Camshaft <i>LD50204,LH50205</i>		1
1	02/100040	<EU903899K	Camshaft <i>LJ50117</i>		1

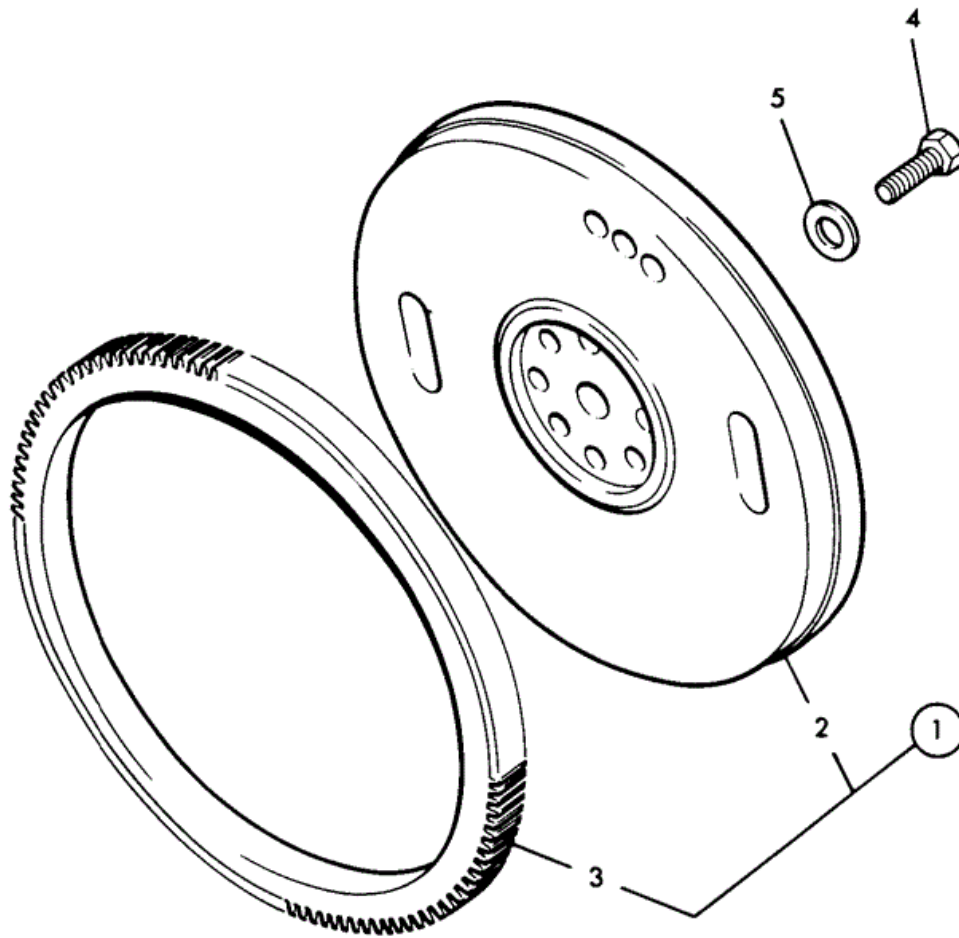
1	02/101618	<EU083371N	Camshaft <i>LJ50117 & LJ50183</i>		1
1	02/101897		Camshaft <i>LJ50183</i>		1
2	02/190002	<EU106654N	Gear camshaft <i>LD50145,LD50204</i>		1
2	02/190032		Gear camshaft <i>LD50204</i>		1
2	02/190002	<EU083371N	Gear camshaft <i>LJ50117,LJ50183</i>		1
2	02/190032		Gear camshaft <i>LJ50183</i>		1
2	02/190017	<EU106654N	Gear camshaft <i>LH50133,LH50205</i>		1
2	02/190034		Gear camshaft <i>LH50205</i>		1
3	02/100038		Key		1
4	02/100312		Bolt		1
5	02/100306		Washer		1
6	02/100305		Washer tab		1
7	02/100313		Plate thrust		1
8	02/192046		Washer thrust		1
8	02/192076		Washer thrust <i>Refer to Service Workshop Manual. See Note 1</i>		1
9	2102/0604		Dowel		1
10	02/100041		Hub		1
11	02/190003		Gear Idler <i>LD50145,LD50204</i>		1
11	02/190024	Superseded	Gear idler assembly <i>LJ50117,LH50133,LJ50183,LH50205</i>		1
11	02/190033		Gear idler assembly		1
12	02/192016		Bush		2
13	02/100042		Plate		1
14	1305/3218Z	<EU106654N	Bolt <i>LD,LH Builds</i>		3
14	02/101905		Screw hexagon head		3
14	1305/3218Z	<EU083371N	Bolt <i>LJ Build</i>		3
14	02/101905		Screw hexagon head		3
15	02/100002		Casing timing		1
16	02/100005	<EU106654N	Gasket timing case <i>LD,LH Builds</i>		1
16	02/101891		Gasket timing case		1
16	02/100005	<EU083371N	Gasket timing case <i>LJ Builds</i>		1
16	02/101891		Gasket timing case		1
17	1305/0105Z		Bolt		8
18	1305/3106	Superseded	Bolt		1
18	1305/0106Z		Bolt 5/16"UNF x 1" long		1
19	1416/0005Z		Washer spring - 5/16" Zinc plated		9
20	02/100140		Gasket		1
20A	02/101210		Plate Blanking <i>LJ50117,LH50133 only</i>		1
21	02/101625	<EU990451L	Tube oil filler assembly <i>LJ50183 only</i>		1

21	:02/101483		Tube oil filler assembly <i>LD50145,LJ50183,LD50204,LH50205</i>	1
21A	:02/101484		Cap oil filler	1
21B	:02/100421		Seal	1
22	1305/0104Z		Setscrew (5/16" UNF x 3/4") <i>LD50145,LJ50183,LD50204,LH50205</i>	2
22	1305/0103Z		Screw <i>LJ50117,LH50133 only</i>	2
23	1416/0005Z		Washer spring - 5/16" Zinc plated	2
24	****		'See Remark' <i>Blanking plate - not required</i>	1
25	****		'See Remark' <i>Bolt - not required was 1305/1709</i>	1
26	****		'See Remark' <i>Bolt - not required was 1305/1718</i>	2
27	****		'See Remark' <i>Bolt - not required was 1340/1701</i>	3
28	****		'See Remark' <i>Washer - not required was 1416/0005Z</i>	3
29	813/00169		Gasket	1
30	02/100944		Cover timing	1
31	:02/101435		Seal front oil	1
32	02/100006	Superseded	Gasket timing cover	1
32	02/102086		Gasket timing cover	1
33	02/100144	Superseded	Cover inspection	1
33	02/101796		Cover Inspection	1
34	02/100145		Gasket	1
35	1305/0102Z		Bolt	4
36	1416/0005Z		Washer spring - 5/16" Zinc plated	4
37	02/300113		Drive Tachometer	1
38	:02/100146		Gasket	1
39	1305/3010		Bolt <i>1.1/2in. Long</i>	1
40	1305/0004Z		Bolt <i>3/4in. Long</i>	1
41	1416/0004Z		Washer spring	2
42	1305/0105Z		Bolt <i>7/8in. Long</i>	14
43	823/00263		Washer	4
44	1416/0005Z		Washer spring - 5/16" Zinc plated	10
45	1305/3118		Bolt <i>2.1/2in.Long</i>	4
46	1416/0005Z		Washer spring - 5/16" Zinc plated	4
47	02/101376		Pin Timing <i>LJ Builds only</i>	1
48	1416/0005Z		Washer spring - 5/16" Zinc plated <i>LJ Builds only</i>	1

Note 1: Fit when new type enlarged bore block is used with earlier Camshaft,Gear & T/Case Gasket.



9802/8500 L1-4-1 FLYWHEEL & HOUSING LD,LH & LJ BUILDS



105250

Item	Part #	Change No	Description	Usage Code	QTY
1	02/101585	<EU985598L	Flywheel assembly		1
1	02/101737	Superseded	Flywheel assembly		1
1	02/200550		Flywheel assembly		1
2	****		None serviced part <i>Flywheel</i>		1
3	:02/100078		Gear starter ring		1

Thank you so much for reading.
Please click the “Buy Now!”
button below to download the
complete manual.



After you pay.

You can download the most
perfect and complete manual in
the world immediately.

Our support email:

ebooklibonline@outlook.com