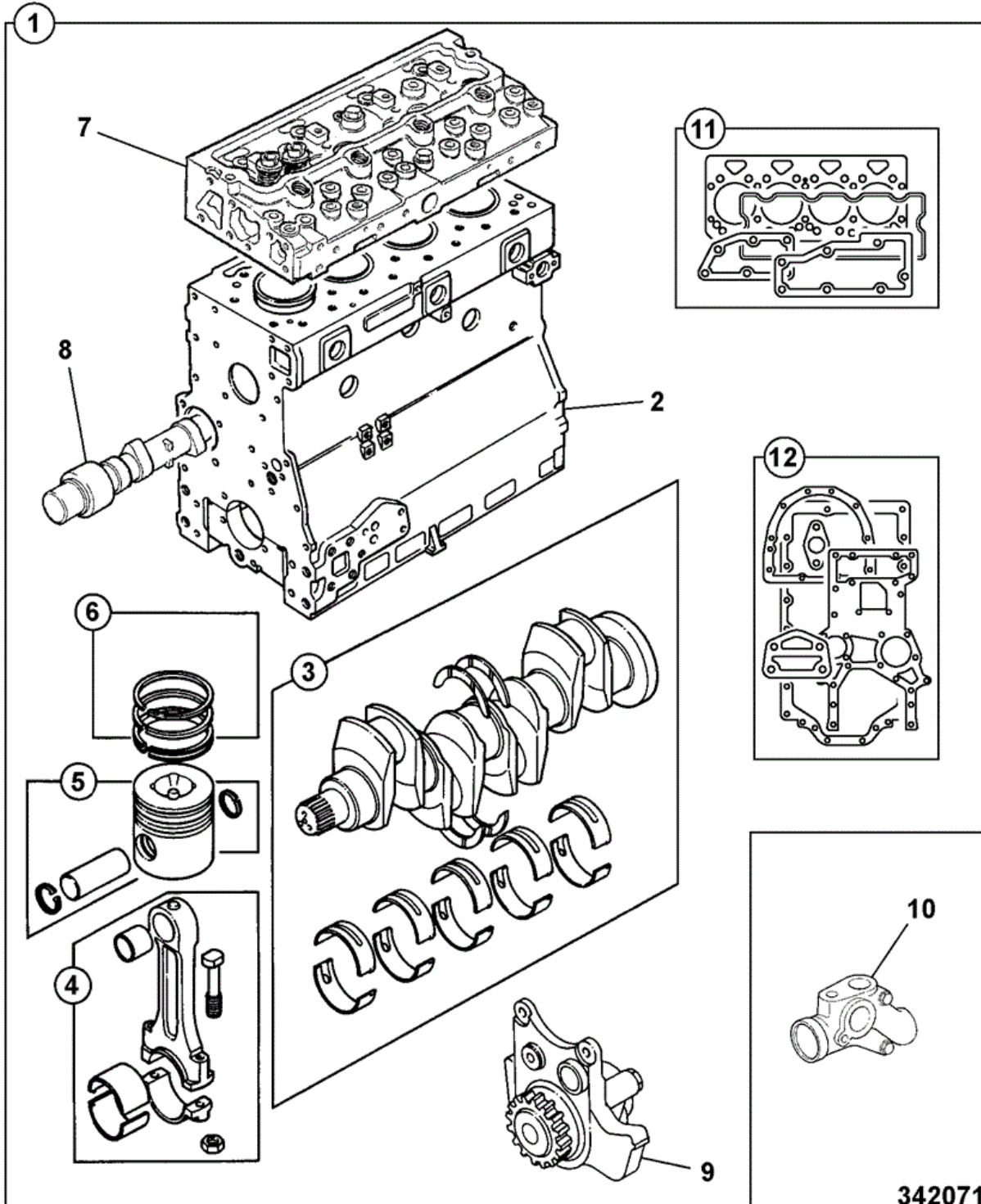




9802/9750 P1-2-6 ENGINE, LONG AK BUILD 100 BHP 85

AMP



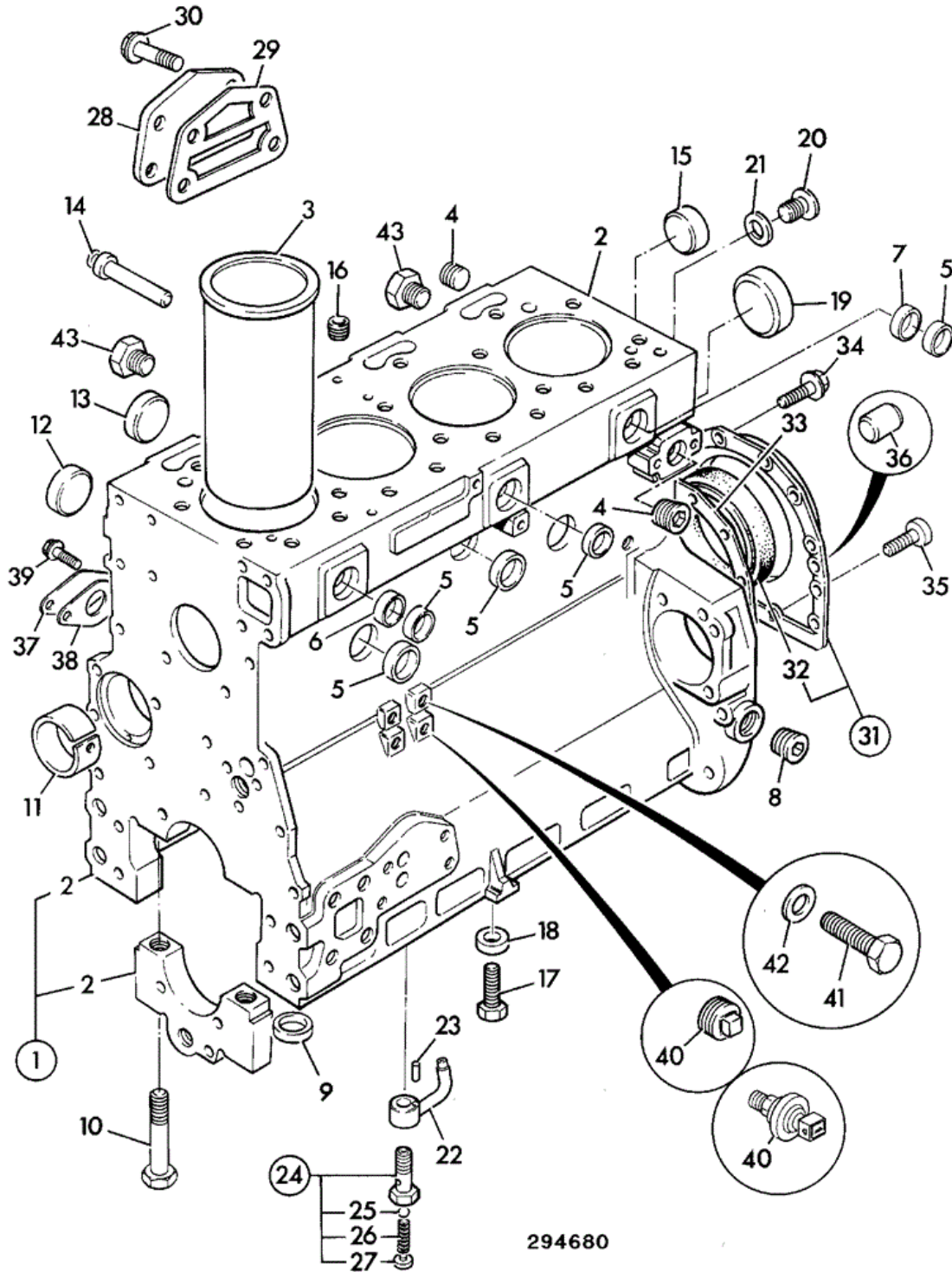
342071

Item	Part #	Change No	Description	Usage Code	QTY
			Engine short		

1	02/202536		<i>For use with 85 amp alternator only</i>	1
2	****		'See Remark' <i>See frame P1-3-4, Block assembly</i>	1
3	****		'See Remark' <i>See frame P1-4-2, Crankshaft assembly</i>	1
4	****		'See Remark' <i>See frame P1-4-2, Con-rod assembly</i>	4
5	****		'See Remark' <i>See frame P1-4-2, Piston assembly</i>	4
6	****		'See Remark' <i>See frame P1-4-2, Piston ring kit</i>	4
7	****		'See Remark' <i>See frame P2-1-3, Cylinder Head</i>	1
8	****		'See Remark' <i>See frame P1-6-2, Timing Case</i>	1
9	****		'See Remark' <i>See frame P5-2-2, Oil Pump</i>	1
10	****		'See Remark' <i>See frame P5-2-2, Oil relief valve</i>	1
11	****		'See Remark' <i>See frame P8-1-2, Gasket set top</i>	1
12	****		'See Remark' <i>See frame P8-2-1, Gasket set bottom</i>	1



9802/9750 P1-3-2 BLOCK ASSEMBLY AK BUILD



294680

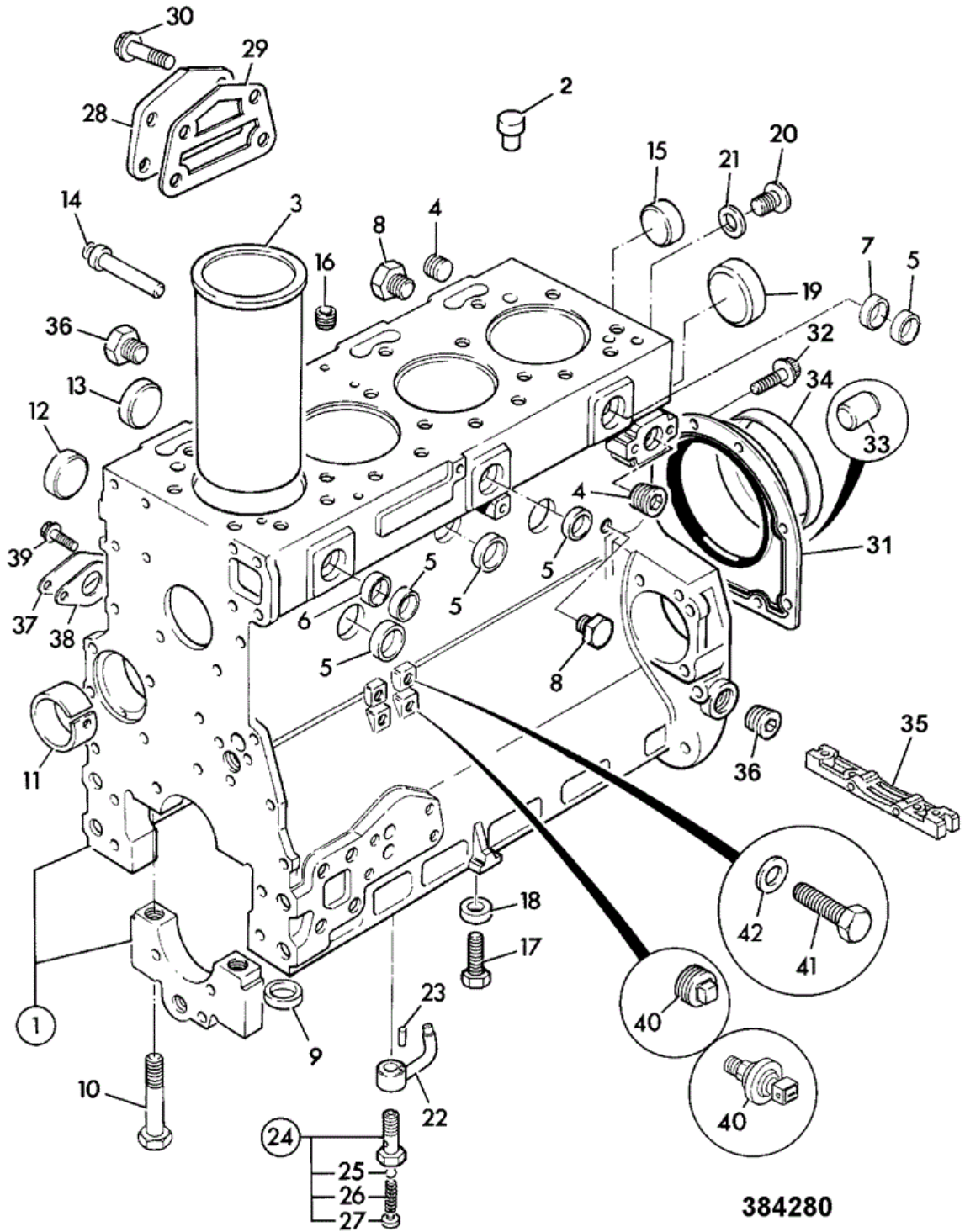
Item	Part #	Change No	Description	Usage Code	QTY
1	02/201660		Block cylinder assembly		1
2	****		None serviced part		1

			<i>Block & Bearing Caps</i>	
3	:02/201141		Liner press-fit <i>See Note 1</i>	4
3	02/201142		Liner slip-fit	0
4	:02/100134		Plug	2
5	:02/100396		Plug core D=32mm	6
6	:02/201304		Plug	1
7	:02/200003		Plug core" D=26mm	1
8	:02/100134		Plug	1
9	:02/100101		Thimble	10
10	:02/100102		Bolt	10
11	:02/192094		Bush camshaft	1
12	:02/200454		Plug core D=38mm	4
13	:02/201361		Plug core D=38mm	3
14	:02/101827		Plug	1
15	:02/200454		Plug core D=38mm	2
16	:02/100108		Plug	1
17	:02/101756		Plug	4
18	:823/00287		Washer spacer	4
19	:02/201362		Plug core D=50mm	1
20	:02/200827		Plug	1
21	:02/200828		Washer	1
22	:02/201734		Jet piston cooling	1
23	:02/201731		Pin roll	1
24	::02/101898		Valve	1
25	::02/200099		Ball	1
26	::02/200098		Spring	1
27	::02/200097		Retainer	1
28	:02/200826		Plate	1
29	:02/200484		Gasket	1
30	:02/291042		Bolt	4
31	:02/200958		Housing rear seal	1
32	:02/101436		Seal rear oil	1
33	02/201092		Gasket rear seal housing	1
34	826/00869		Screw flange head	12
35	02/291185		Capscrew	2
36	02/100308		Dowel	2
37	02/200004		Plate	1
38	02/200475		Gasket	1
39	02/291031		Bolt	2
40	701/41500		Switch oil pressure	1
41	1315/0402Z		Setscrew	1
42	823/00273		Washer	1
43	02/100132		Plug drain	1

Note 1: SPECIAL TOOLS FOR FITTING, BORING AND HONING REQUIRED, FOR GENERAL SERVICE USE SLIP-FIT



9802/9750 P1-3-4 BLOCK ASSEMBLY AK BUILD

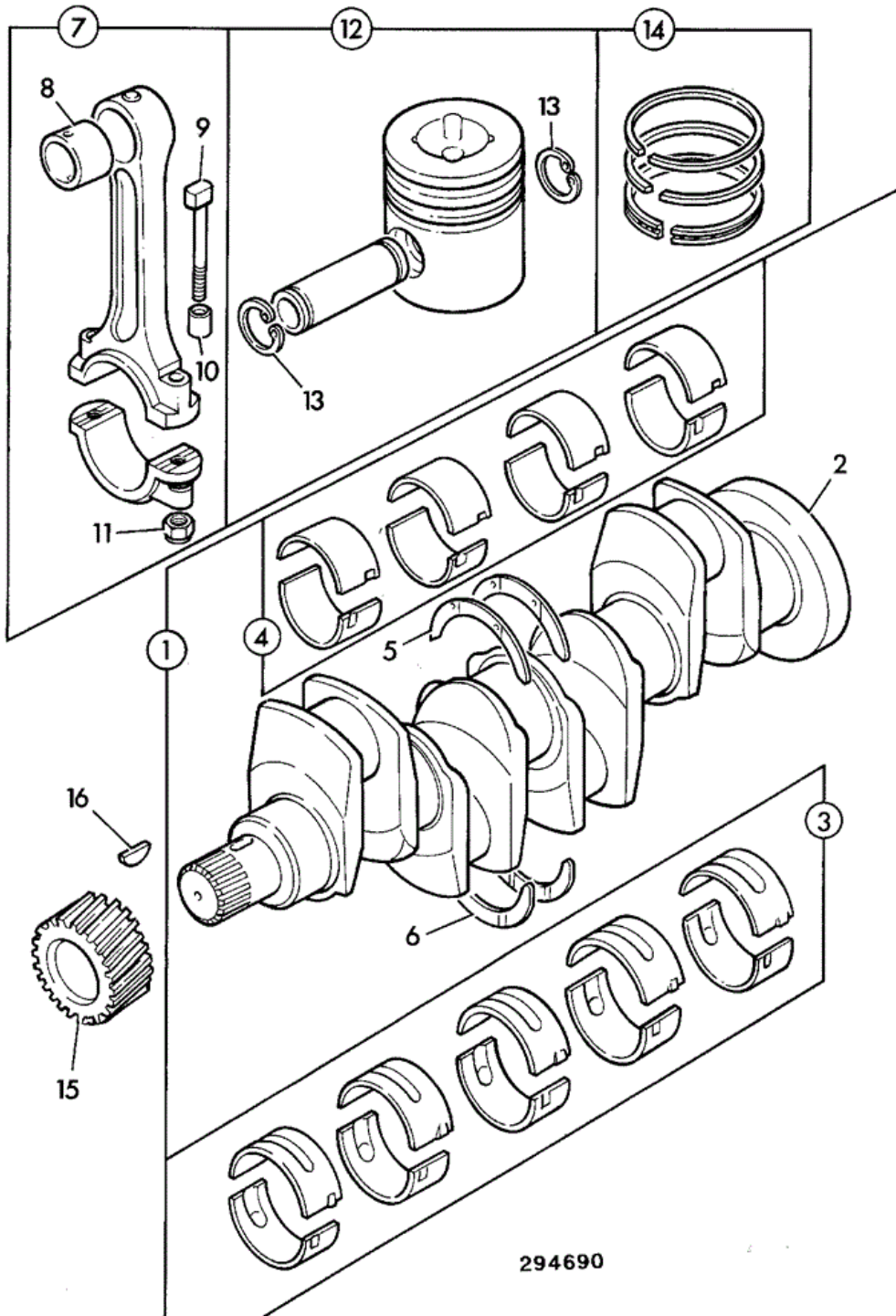


384280

Item	Part #	Change No	Description	Usage Code	QTY
1	02/201660		Block cylinder assembly		1
2	****		None serviced part		1

			<i>Block & Bearing Caps</i>	
3	:02/201141		Liner press-fit	4
3	02/201142		Liner slip-fit	0
4	:02/100134		Plug	2
5	:02/100396		Plug core D=32mm	6
6	:02/201304		Plug	1
7	:02/200003		Plug core" D=26mm	1
8	:02/100134		Plug	1
9	:02/100101		Thimble	10
10	:02/100102		Bolt	10
11	:02/192094		Bush camshaft	1
12	:02/200454		Plug core D=38mm	4
13	:02/201361		Plug core D=38mm	3
14	:02/101827		Plug	1
15	:02/200454		Plug core D=38mm	2
16	:02/100108		Plug	1
17	:02/101756		Plug	4
18	:823/00287		Washer spacer	4
19	:02/201362		Plug core D=50mm	1
20	:02/200827		Plug	1
21	:02/200828		Washer	1
22	:02/201734		Jet piston cooling	1
23	:02/201731		Pin roll	1
24	::02/101898		Valve	1
25	::02/200099		Ball	1
26	::02/200098		Spring	1
27	::02/200097		Retainer	1
28	:02/200826		Plate	1
29	:02/200484		Gasket	1
30	:02/291042		Bolt	4
31	:02/202370		Housing & rear oil seal assembly	1
32	:826/10721		Bolt torx head drive	10
33	02/100308		Dowel	2
34	02/202422		Sleeve speedy	1
35	02/202369		Piece bridge	1
36	02/100132		Plug drain	1
37	02/200004		Plate	1
38	02/200475		Gasket	1
39	02/291031		Bolt	2
40	701/41500		Switch oil pressure	1
41	1315/0402Z		Setscrew	1
42	823/00273		Washer	1

JCB 9802/9750 P1-4-2 CRANKSHAFT, BEARINGS PISTONS &
 CON-RODS AK BUILD

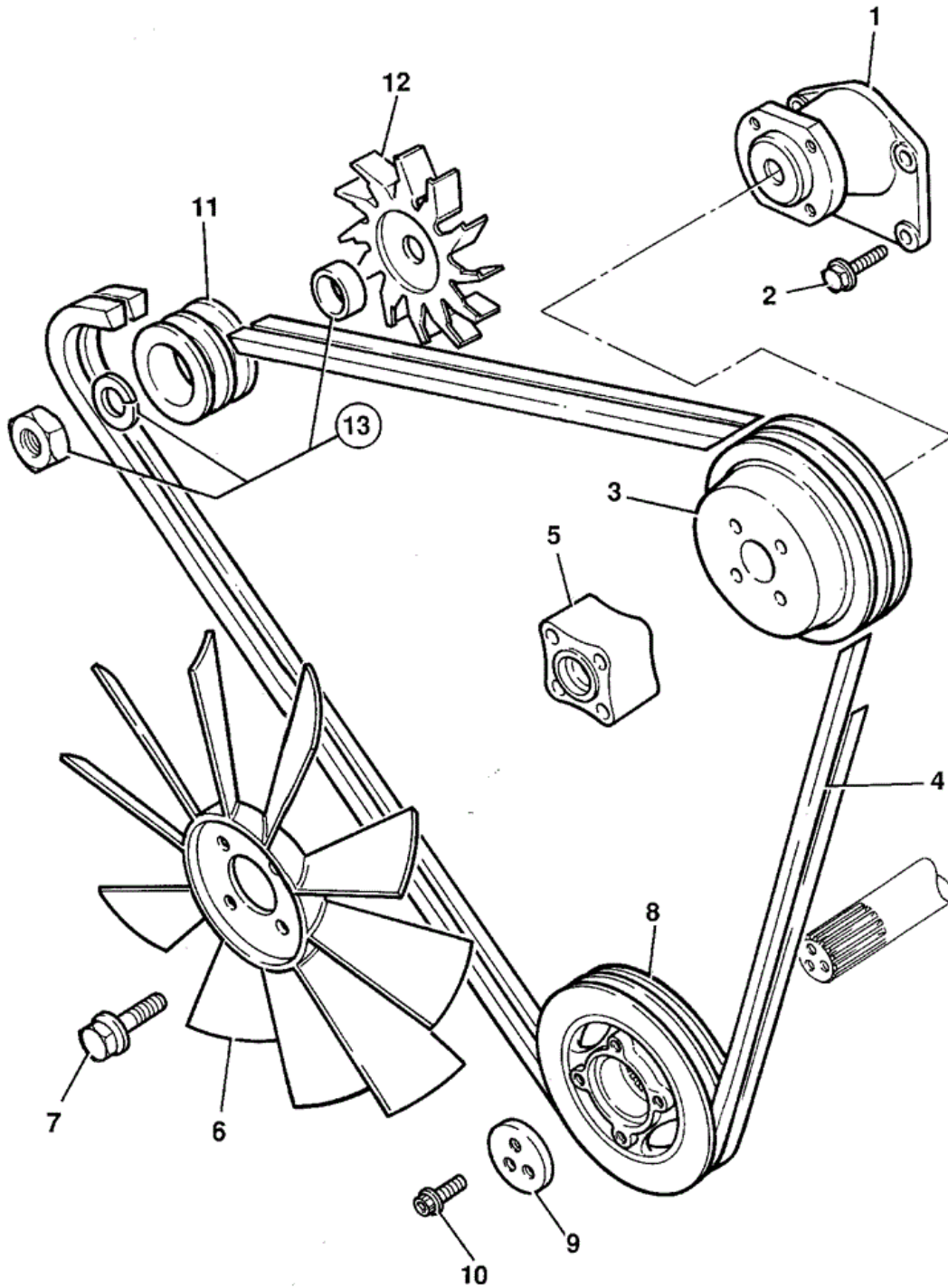


Item	Part #	Change No	Description	Usage Code	QTY
1	02/200915		Crankshaft assembly		1

2	****		None serviced part <i>Crankshaft</i>	1
3	:02/192002		Kit-bearing Main Standard	1
3	02/192003		Kit-bearing Main Undersize - .010inch	1
3	02/192004		Kit-bearing Main Undersize - .020inch	1
3	02/192005		Kit-bearing Main Undersize - .030inch	1
4	:02/192085		Kit-bearing 4 Pairs Standard	1
4	02/192086		Kit-bearing 4 Pairs Undersize - .010inch	1
4	02/192087		Kit-bearing 4 Pairs Undersize - 0.20inch	1
4	02/192088		Kit-bearing 4 Pairs Undersize - 0.30inch	1
5	:02/192083		Washer thrust top - standard	2
5	02/192011		Washer thrust top-oversize 0.19mm	2
6	:02/192084		Washer thrust bottom - standard	2
6	02/192013		Washer thrust btm-oversize 0.19mm	2
7	02/201502	<EU876975D	Rod connecting assembly	4
7A	02/201972	>EU876976D	Rod connecting grade 'H' <i>See Note 1</i>	0
7A	02/201973	>EU876976D	Rod connecting grade 'J' <i>See Note 1</i>	0
7A	02/201974	>EU876976D	Rod connecting grade 'K' <i>See Note 1</i>	0
7A	02/201975	>EU876976D	Rod connecting grade 'L' <i>See Note 1</i>	0
8	:02/192095		Bush small end	1
9	:02/291072		Bolt	2
10	:02/201808		Thimble	2
11	:02/100128		Nut	2
12	02/201505		Piston assembly	4
13	:02/201151		Circlip	2
14	02/201504		Kit-piston ring	4
15	02/290001		Gear	1
16	02/100038		Key	2

Note 1: TO ENSURE THE CORRECT GRADE IS FITTED, REFER TO THE SERVICE WORKSHOP MANUAL.

JCB 9802/9750 P1-5-3 FANS, PULLEYS & FAN BELT AK BUILDS,
 1.06:1 FAN SPEED



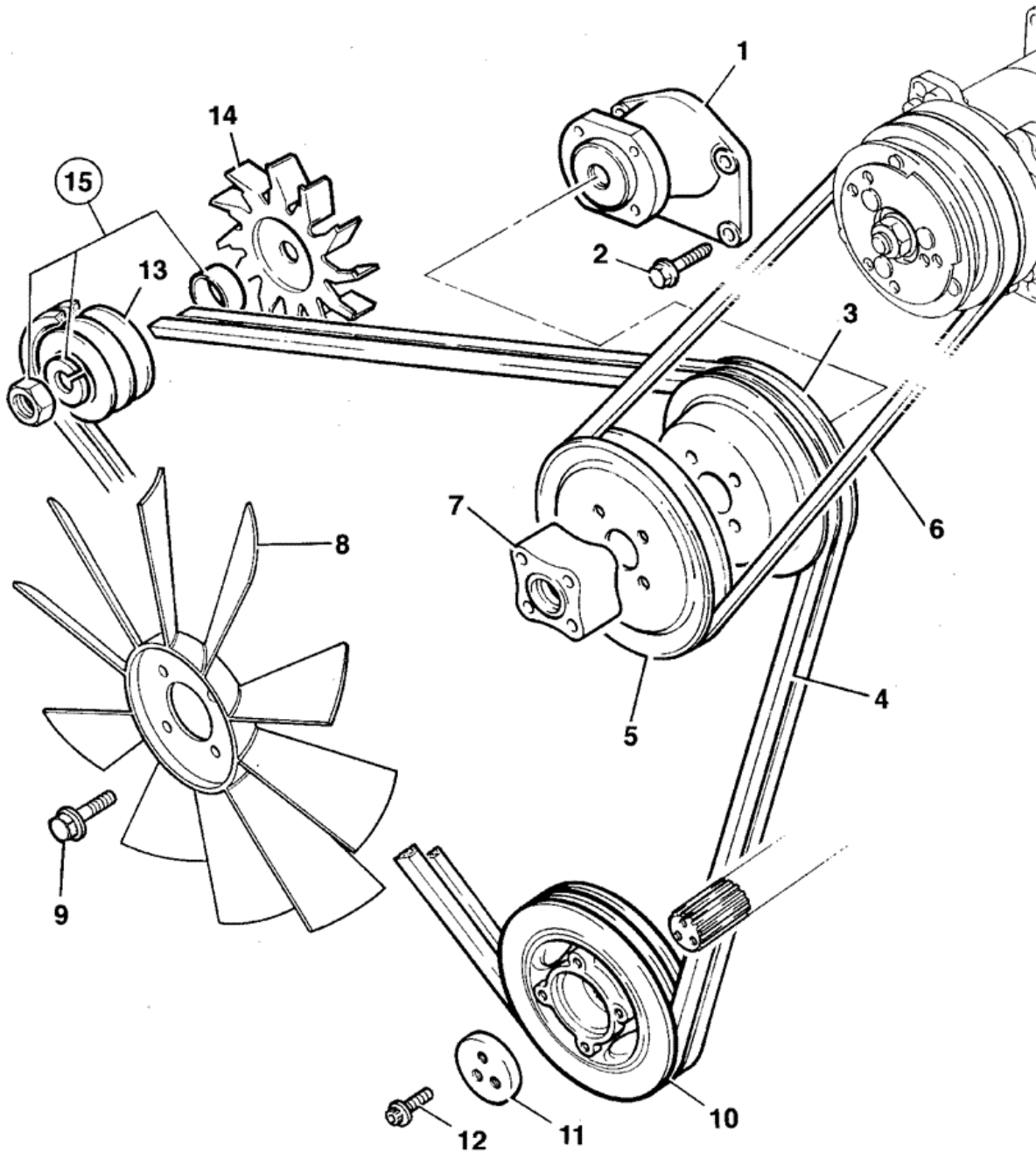
262050

Item	Part #	Change No	Description	Usage Code	QTY
1	02/201357		Housing fan drive, assembly		1

2	02/291041		Bolt	4
3	02/201328		Pulley fan twin groove, 165mm	1
4	02/201291		Belt fan, pair	1
5	02/201347		Spacer fan 76.2mm	1
6	123/05911		Fan cooling, 21"	1
6	30/925526		Fan D=20" Puller <i>Used only on Soundproofed Builds</i> <i>See Note 1</i>	1
7	1315/3320Z		Bolt (M8 x 100)	4
8	02/200877		Pulley crankshaft twin groove	1
9	02/200017		Block Thrust	1
10	02/100579		Screw	3
11	123/04736		Pulley alternator D=70mm twin groove	1
11A	123/10598		Pulley twin groove <i>85Amp Alternator Option Only</i>	1
12	02/200452		Fan alternator	1
13	714/20405		Kit-sundry parts	1

Note 1: EUROPEAN BUILDS ONLY

JCB 9802/9750 P1-5-4 FANS, PULLEYS & FAN BELT AIR
 CONDITIONING, AK BUILD, 1.06:1



262030

Item	Part #	Change No	Description	Usage Code	QTY
1	02/201357		Housing fan drive, assembly		1

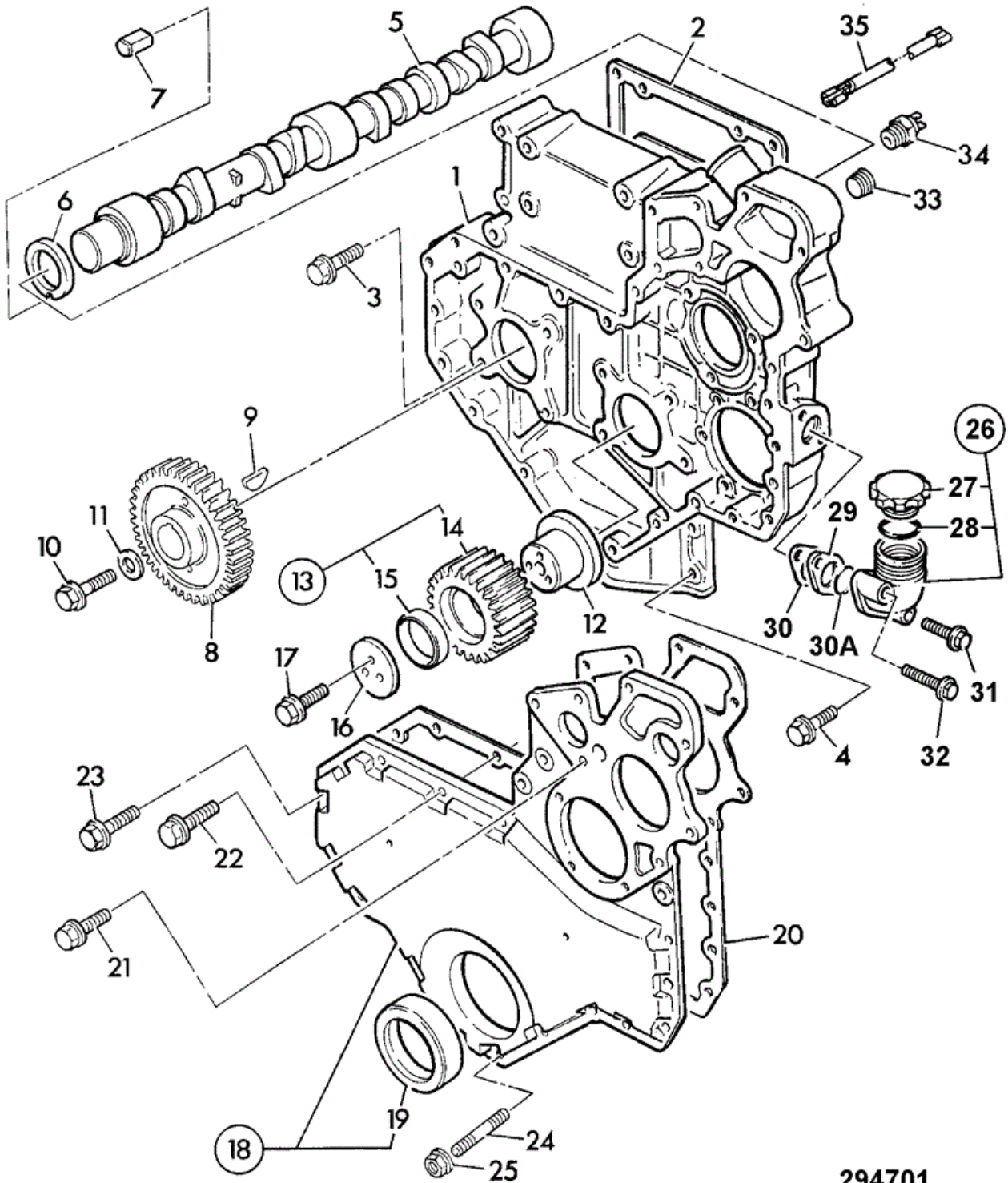
2	02/291041		Bolt		4
3	02/201328		Pulley fan twin groove, 165mm		1
4	02/201291		Belt fan, pair		1
5	123/06221		Pulley single groove auxiliary, 171mm		1
6	123/06235		Belt compressor drive		1
7	02/100097		Spacer fan 50.8mm		1
8	123/05911		Fan cooling, 21"		1
8	30/925526		Fan D=20" Puller <i>Used only on Soundproofed Builds</i> <i>See Note 1</i>		1
9	1315/3320Z		Bolt (M8 x 100)		4
10	02/200877		Pulley crankshaft twin groove		1
11	02/200017		Block Thrust		1
12	02/100579		Screw		3
13	123/04736		Pulley alternator D=70mm twin groove		1
14	02/200452		Fan alternator		1
15	714/20405		Kit-sundry parts		1

Note 1: EUROPEAN BUILDS ONLY



9802/9750 P1-6-2 TIMING CASE CAMSHAFT & GEARS AK

BUILD

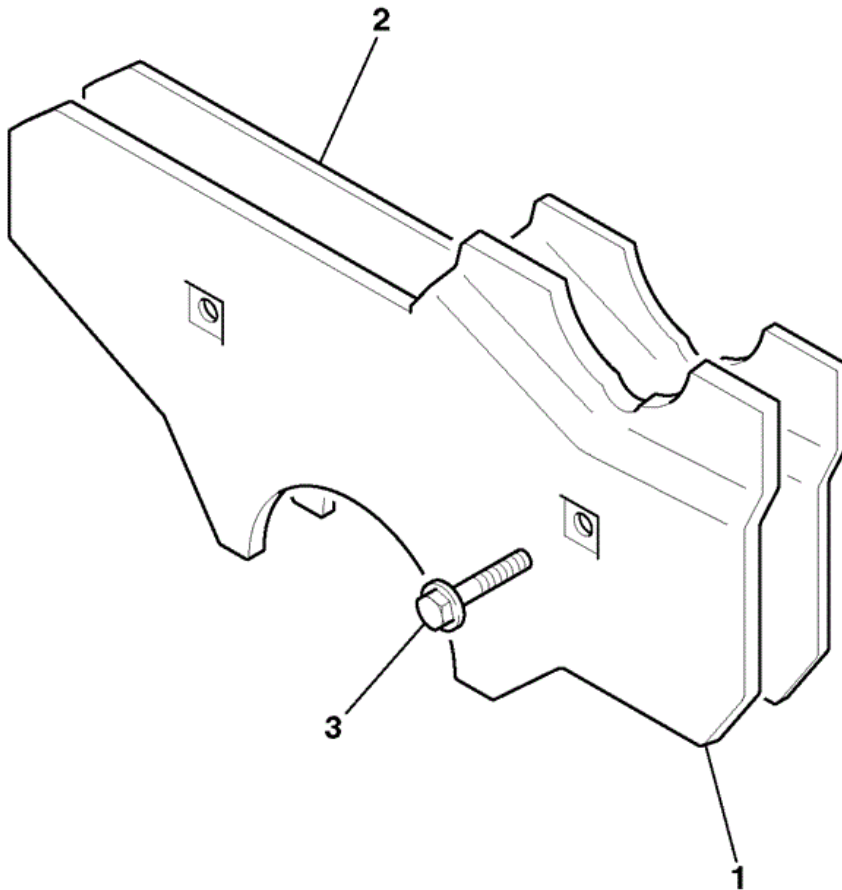


294701

Item	Part #	Change No	Description	Usage Code	QTY
1	02/201823		Case timing		1
2	02/200872		Gasket t/case to block		1
3	826/00869		Screw flange head		8
4	02/291033		Bolt		4
5	02/201668		Camshaft		1
6	02/192064		Washer thrust		1
7	2102/0604		Dowel		1
8	02/190034		Gear camshaft		1
9	02/100038		Key		1
10	02/291196		Screw		1
11	02/291065		Washer		1
12	02/100041		Hub		1
13	02/190033		Gear idler assembly		1
14	:N.S.P.		None serviced part <i>Gear</i>		1
15	:02/192016		Bush		2
16	02/201288		Plate		1
17	02/291073		Screw		3
18	02/202215		Cover Cover, timing case		1
19	:02/101435		Seal front oil		1
20	02/201825		Gasket timing gear cover		1
21	02/291026		Bolt		6
22	02/291018		Bolt		8
23	02/291017		Screw		1
24	02/291033		Bolt		2
26	02/201113		Tube oil filler assembly		1
27	:02/201343		Cap oil filler		1
28	::02/201098		O Ring		1
29	02/201671		Spacer		1
30	02/201255		Gasket		1
30A	02/201097		O Ring		1
31	02/291026		Bolt		1
32	02/291122		Screw M8 x 85mm		1
33	02/100095		Plug taper		1
34	701/60014		Sender cold start		1
35	721/00447		Lead waxtat cold start		1



9802/9750 P1-6-3 TIMING CASE SOUNDPROOFING



413520

Item	Part #	Change No	Description	Usage Code	QTY
1	02/201903		Shield		1
2	02/201904		Damper		1

Thank you so much for reading.
Please click the “Buy Now!”
button below to download the
complete manual.



After you pay.

You can download the most
perfect and complete manual in
the world immediately.

Our support email:

ebooklibonline@outlook.com