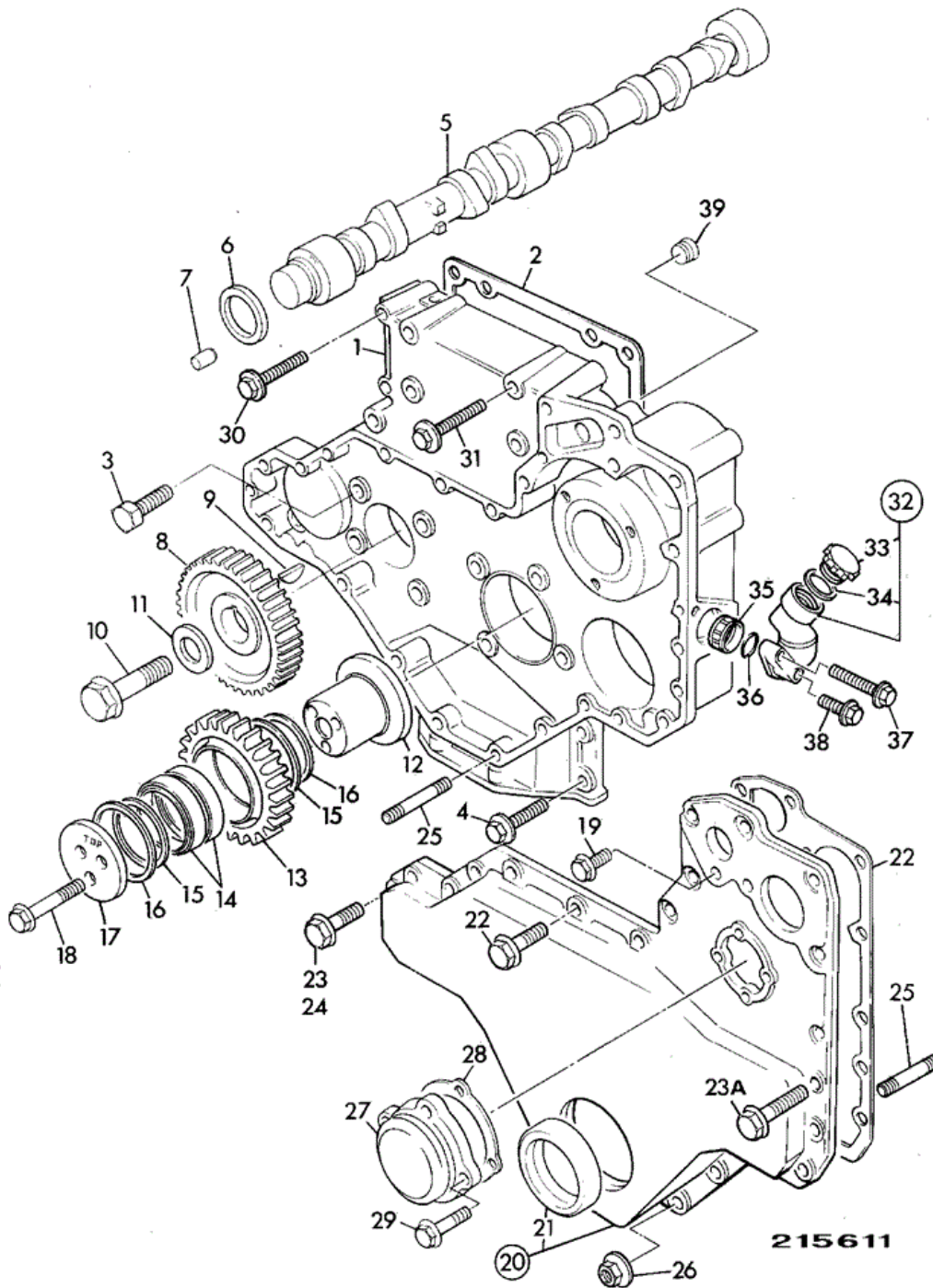


JCB 9802/9510 N1-6-2 TIMING CASE CAMSHAFT & GEARS AB
BUILD



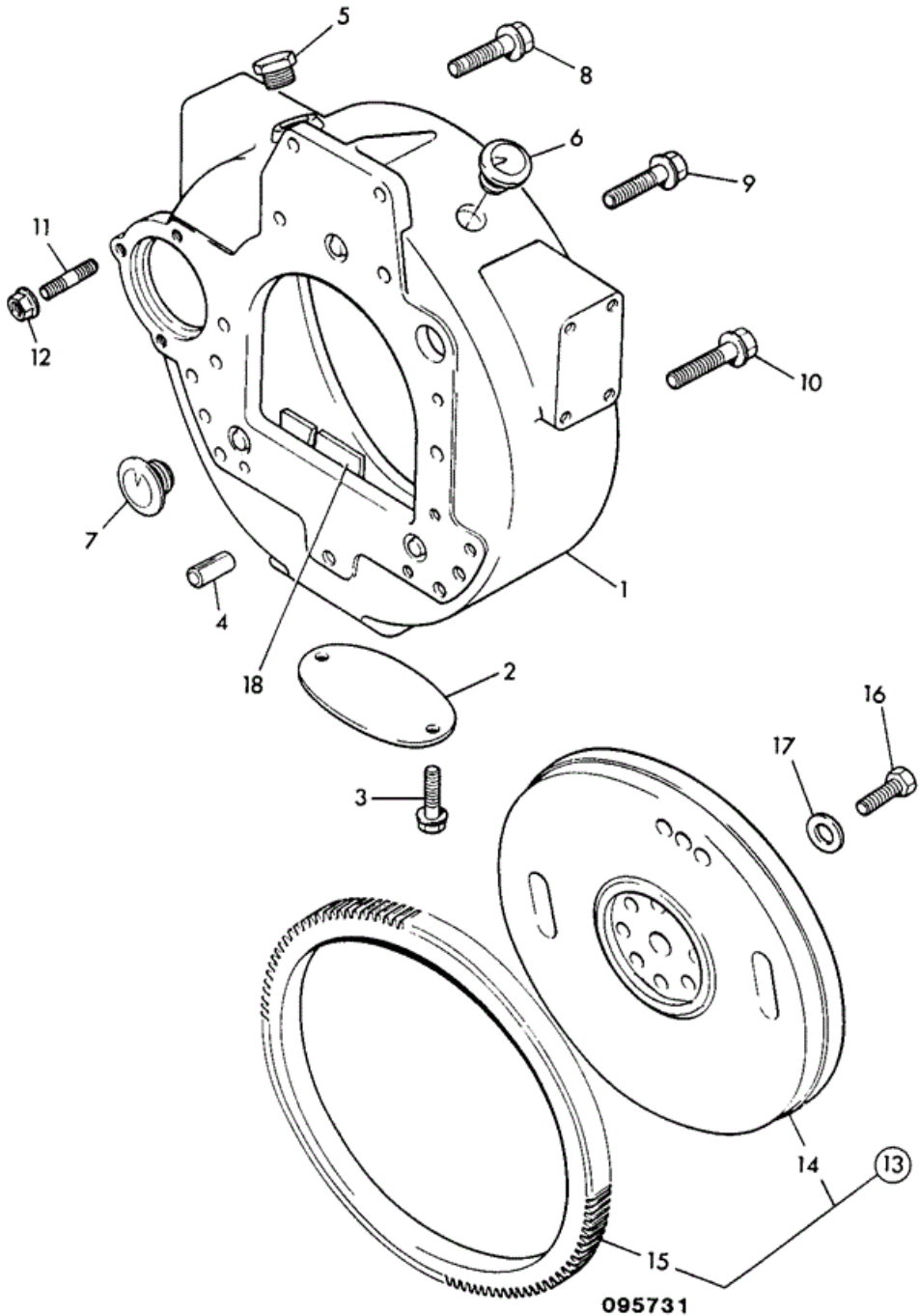
Item	Part #	Change No	Description	Usage Code	QTY
1	02/200488	Superseded	Casing timing		1

1	M.S.S		Multi Supersession <i>See Note 1</i>		1
1A	02/200789	Superseded	Casing timing		1
1A	02/201199		Case timing		1
2	02/200022		Gasket t/case to block		1
3	826/00869		Screw flange head		8
4	02/291033		Bolt		4
5	02/200023	Superseded	Camshaft		1
5	M.S.S		Multi Supersession <i>Part N.L.A use 5A with item 10A</i>		1
5A	02/201303		Camshaft		1
6	02/192064		Washer thrust		1
7	2102/0604		Dowel		1
8	02/190034		Gear camshaft		1
9	02/100038		Key		1
10	02/291047		Bolt <i>Used only with item 5</i>		1
10A	02/291196		Screw <i>Used only with item 5A</i>		1
11	02/291065		Washer		1
12	02/200024		Hub		1
13	02/290002		Gear idler		1
14	:02/200186		Bearing Needle roller		2
15	:02/290009		Spacer Bearing		2
16	02/290008		Washer Thrust		2
17	02/200025		Plate		1
18	02/291039		Bolt		3
19	02/291026		Bolt		6
20	02/200486		Cover timing		1
21	:02/101435		Seal front oil		1
22	02/200728		Gasket timing cover		1
23	02/291017		Screw <i>Used only with item 1</i>		10
23A	02/291017		Screw <i>Used only with item 1A</i>		1
24	02/291018		Bolt <i>Used only with item 1A</i>		9
25	02/291051		Stud		2
26	02/291058		Nut flanged M8		2
27	02/200028		Cover inspection		1
28	02/200029		Gasket inspection cover		1
29	02/291014		Bolt		4
30	02/291018		Bolt		1
31	02/291038		Bolt		4
32	02/201110		Tube oil filler		1
33	:02/201099		Cap oil filler		1
34	:02/201098		O Ring		1
35	02/200037		Strainer		1
36	02/201097		O Ring		1
37	02/291023		Bolt		1
38	02/291020		Bolt		1
39	02/100409		Plug taper threaded		1

Note 1: Part N.L.A use 1A with 1 off each 02/200829, 02/291017 AND 02/291018.



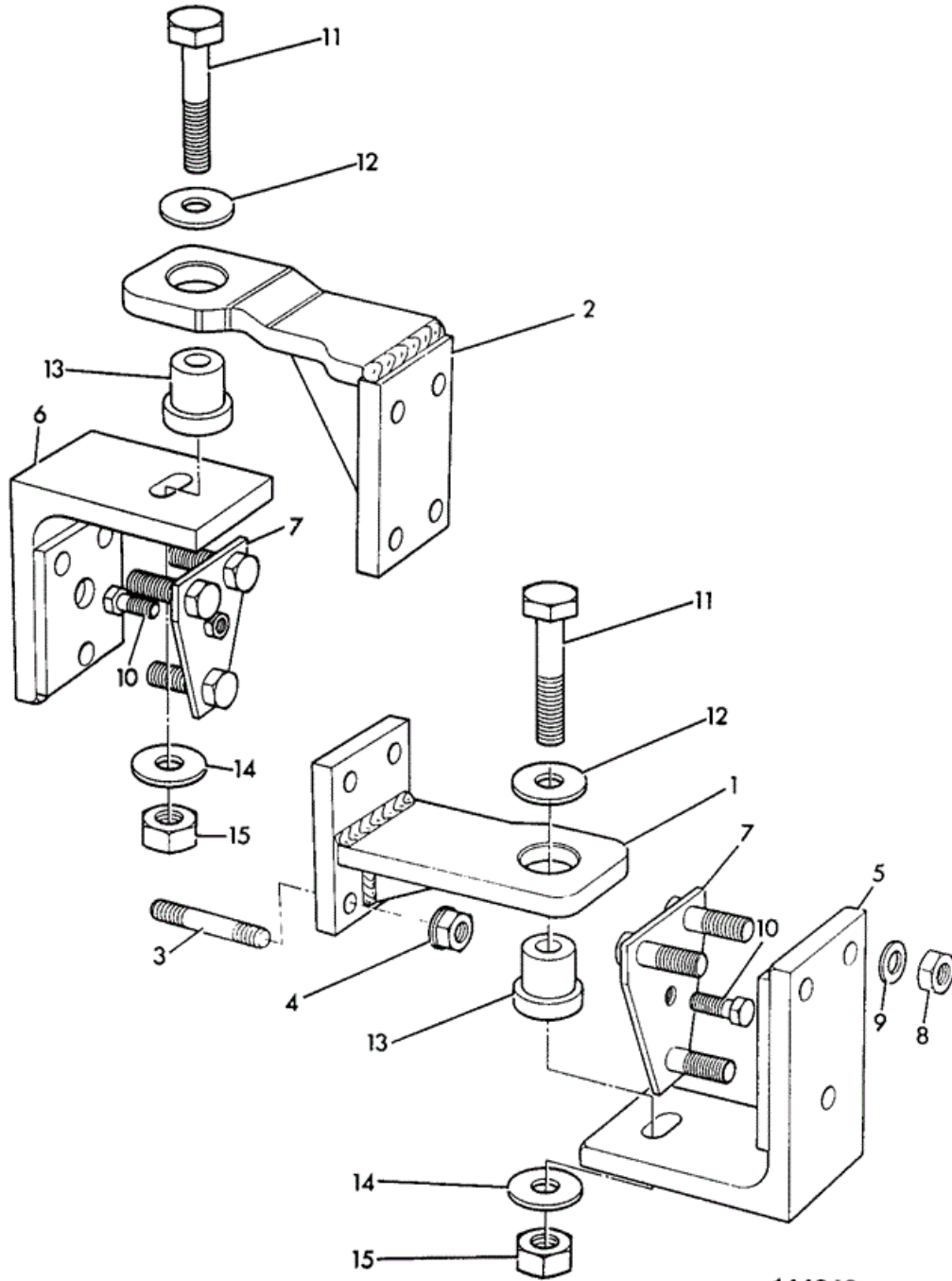
9802/9510 N1-7-1 FLYWHEEL & HOUSING AB BUILD



Item	Part #	Change No	Description	Usage Code	QTY
1	02/200500		Housing flywheel		1
2	02/200042		Plate Cover		1
3	02/291009		Bolt		2
4	02/100361		Dowel		2
5	****		'See Remark' <i>Not fitted or required</i>		1
6	02/101441		Plug		1
7	02/201518		Plug		1
8	02/291047		Bolt		2
9	02/291188		Screw		6
10	02/291034		Bolt		3
11	02/291002		Stud		3
12	02/291059		Nut		3
13	02/200044	<M449606	Flywheel assembly		1
13	02/201400		Flywheel assembly		1
14	****		None serviced part <i>Flywheel</i>		1
15	:02/100540		Gear starter ring		1
16	1305/3410		Bolt		6
17	02/200725		Washer		6
18	02/101282		Seal felt		1



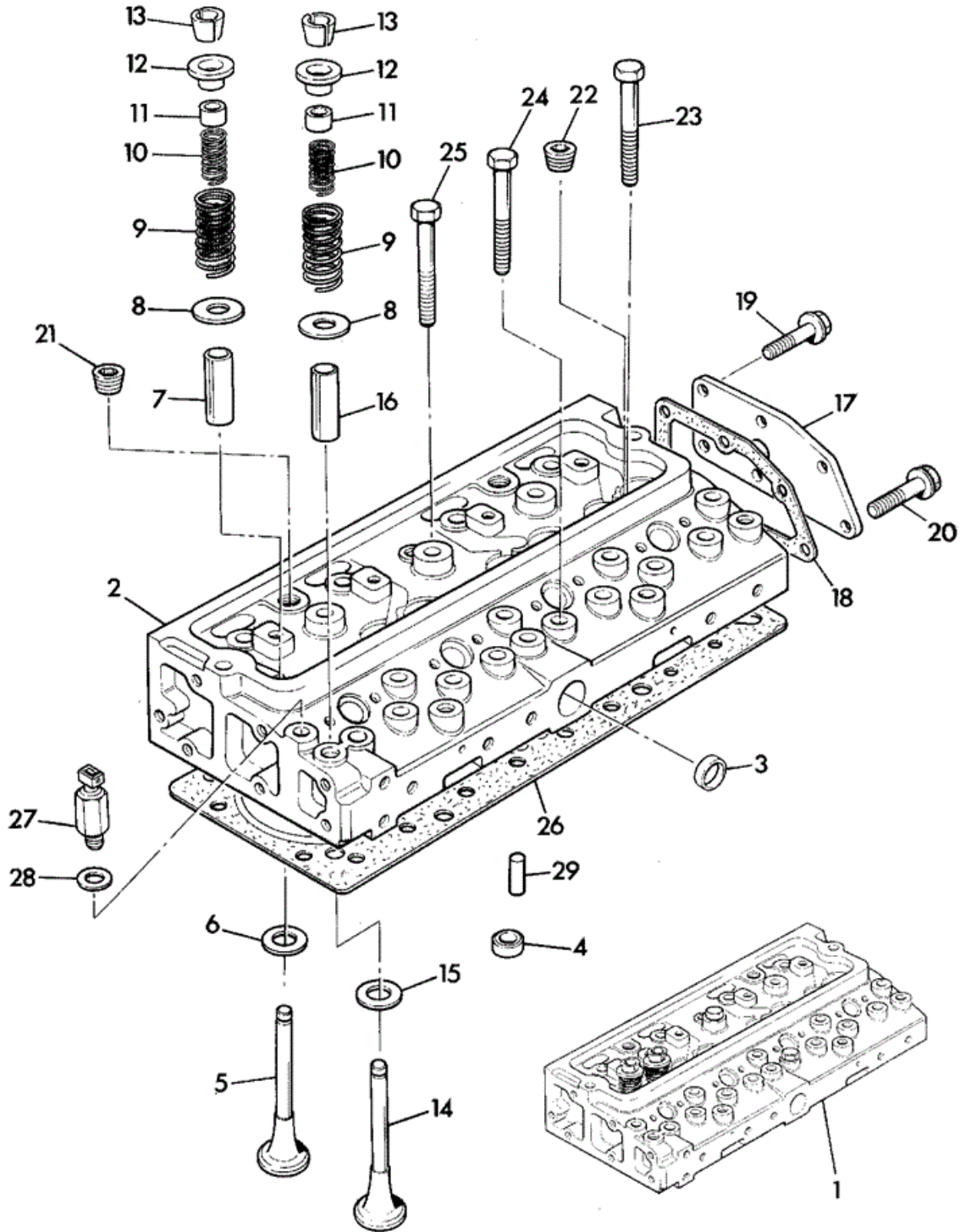
9802/9510 N1-8-1 ENGINE MOUNTINGS



Item	Part #	Change No	Description	Usage Code	QTY
1	125/26600		Bracket engine mounting		1
2	125/26700		Bracket engine mounting		1
3	02/291124		Stud		8
4	02/291060		Nut		8
5	123/03132		Bracket mounting-left hand		1
6	123/03131		Bracket mounting-right hand		1
7	123/03133		Plate backing		2
8	1370/0403Z		Nut Lock, M12		6
9	1420/0009Z		Washer (M12)		6
10	1315/0407Z		Setscrew M10 x 25 mm		2
11	1315/3519Z		Bolt M12x90mm		2
12	123/02453		Washer Rebound (13.5mm x 65mm x 5mm)		2
13	123/03138		Mounting rubber		2
14	823/00531		Washer		2
15	1370/0403Z		Nut Lock, M12		2

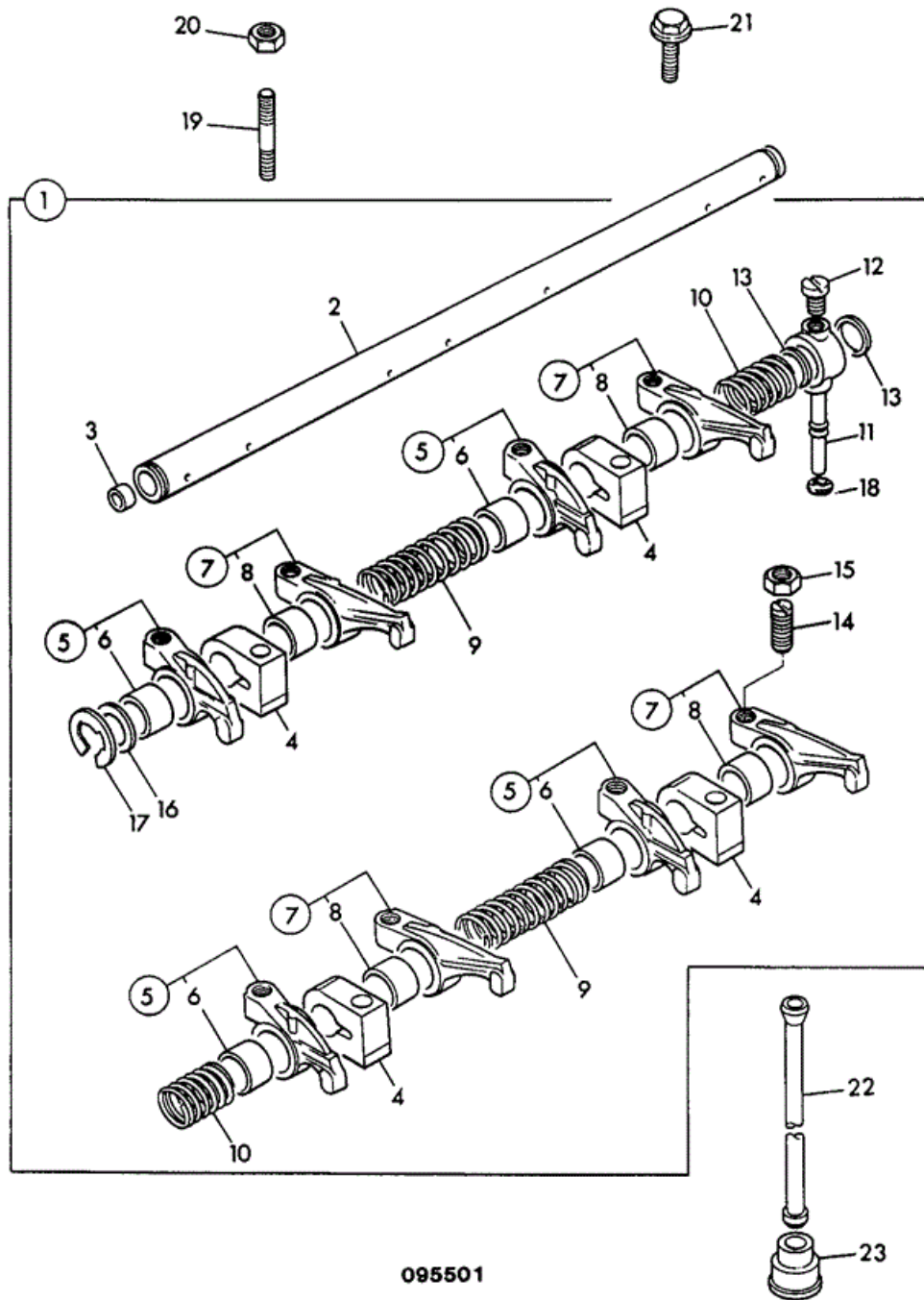


9802/9510 N2-1-4 CYLINDER HEAD AB BUILD



Item	Part #	Change No	Description	Usage Code	QTY
1	02/201170	Superseded	Head assembly, cylinder		1
1	02/201301		Head assembly, cylinder		1
2	****		None serviced part <i>Head</i>		1
3	:02/100396		Plug core D=32mm		1
4	:02/200047		Plug core D=16mm		4
5	:02/200863		Valve inlet		4
6	:02/200866		Insert inlet valve		4
7	:02/200868		Guide inlet valve		4
8	:02/100638		Seat spring		8
9	:02/101968		Spring Valve outer		8
10	:02/101969		Spring Valve inner		8
11	:02/100668		Seal valve		8
12	:02/101970		Holder Collet		8
13	:02/100024		Collet		8
14	:02/101705		Valve exhaust, standard		4
15	:02/200871		Insert exhaust valve		4
16	:02/101884		Guide exhaust valve		4
17	:02/101784		Cover		1
18	:02/101785		Gasket		1
19	:02/291016		Screw		3
20	:826/00869		Screw flange head		1
21	:02/100095		Plug taper		2
22	02/100409		Plug taper threaded		4
23	02/100122		Bolt cylinder head		2
24	02/100120		Bolt cylinder head check engine for quantities either 10 or 12 bolts		8
25	02/100121		Bolt cylinder head		12
26	02/200477	Superseded	Gasket cylinder head		1
26	02/201294		Gasket cylinder head		1
27	701/37400		Switch temperature		1
28	823/00264		Washer Aluminium (I/D=16mm)		1
29	02/201302	>EU707727A	Dowel		1

 **9802/9510 N2-2-2 ROCKER ASSEMBLY PUSH RODS &
TAPPETS AB BUILD**



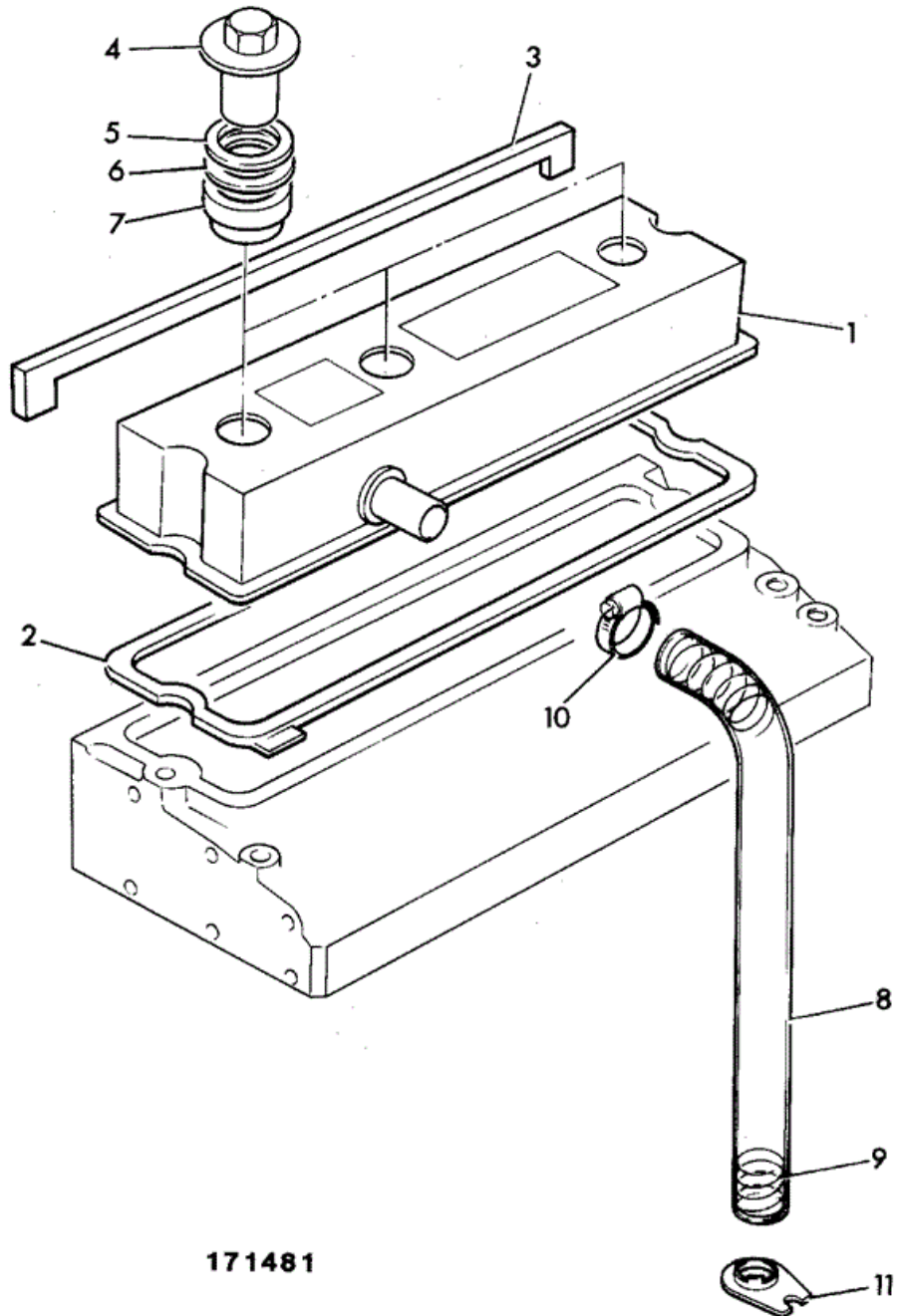
Item	Part #	Change No	Description	Usage Code	QTY
1	02/200070	Superseded	Shaft assembly, rocker		1
1	02/201139		Shaft rocker, assembly		1
2	:02/101886		Shaft rocker		1
3	:02/100152		Plug core D=11mm		2
4	:02/200069		Bracket		4

5	:02/200216		Lever rocker, right hand	4
6	::02/192050		Bush	1
7	:02/200217		Lever rocker, left hand	4
8	::02/192050		Bush	1
9	:02/100028		Spring long	2
10	:02/100029		Spring short	2
11	:02/200756		Pipe rocker feed	1
12	:02/291142		Screw	1
13	:02/101804		Shim	2
14	:02/100032		Screw	8
15	:02/101203		Nut lock	8
16	:02/101889		Washer	2
17	:02/100287		Circlip	2
18	:816/60170		Olive	1
19	02/291121		Stud	3
20	02/291060		Nut	3
21	02/291125		Screw	1
22	02/100043		Rod push	8
23	02/100044		Tappet	1



9802/9510 N2-3-4 ROCKER COVER AB BUILD

N2-3-4



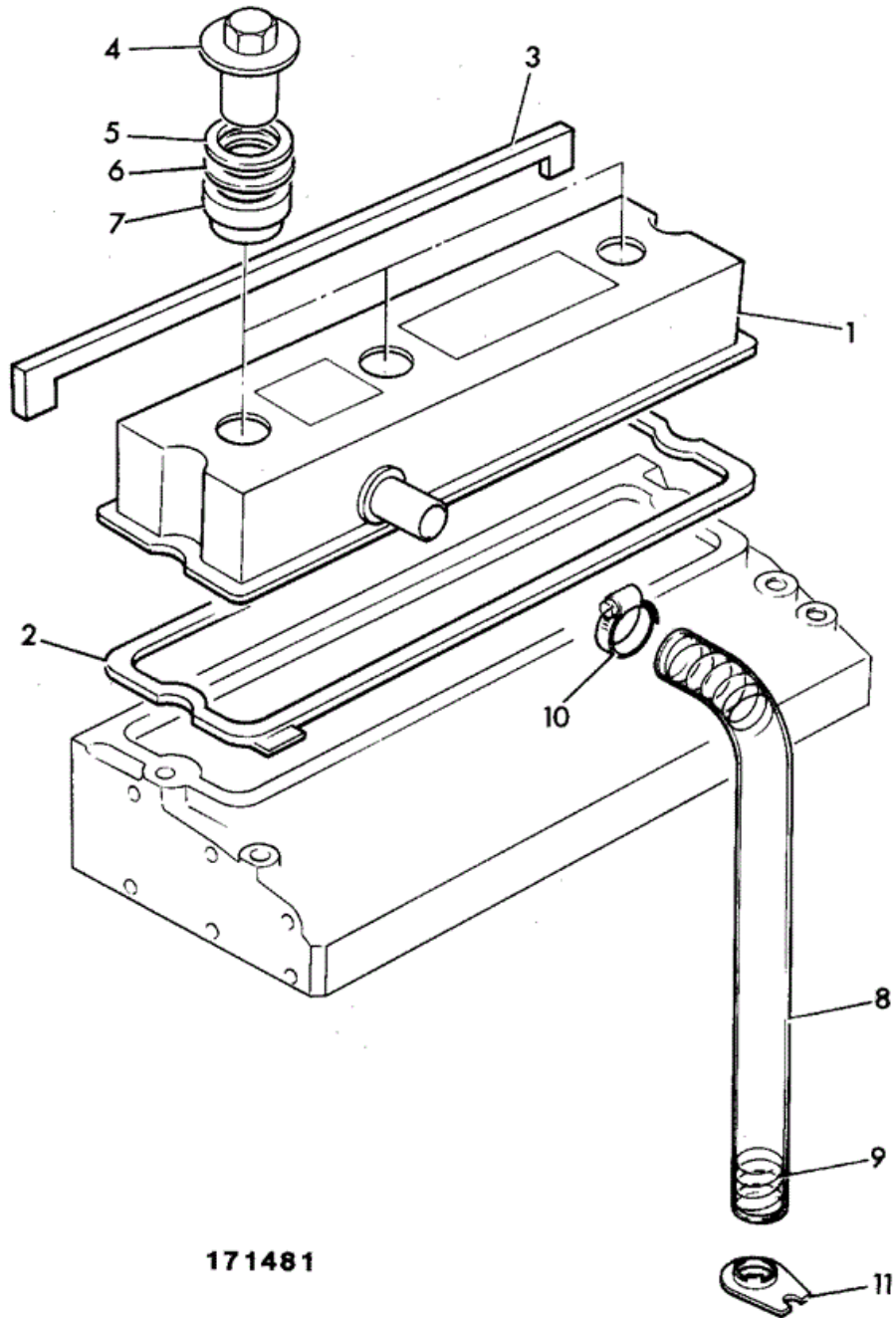
171481

Item	Part #	Change No	Description	Usage Code	QTY
1	02/200835		Cover rocker		1
2	:02/200896		Gasket rocker cover		1
3	:02/200897		Seal strip		1
4	02/200834		Nut sleeve		3
5	1410/0007Z		Washer (5/8" Small)		3
6	02/200699		Shim		3
7	02/192069		Bush		3
8	02/200058		Hose oil breather		1
9	02/101290		Spring		1
10	2201/0005		Clip Worm Drive 14/27mm		1
11	02/200059		Bracket		1



9802/9510 N2-3-5 ROCKER COVER AB BUILD

N2-3-4



171481

Item	Part #	Change No	Description	Usage Code	QTY
1	02/201293		Cover rocker		1
2	:02/201297		Gasket rocker cover		1
3	:02/200897		Seal strip		1
4	02/200834		Nut sleeve		3
5	1410/0007Z		Washer (5/8" Small)		3
6	02/200699		Shim		3
7	02/192069		Bush		3
8	02/200058		Hose oil breather		1
9	02/101290		Spring		1
10	2201/0005		Clip Worm Drive 14/27mm		1
11	02/200059		Bracket		1

Thank you so much for reading.
Please click the “Buy Now!”
button below to download the
complete manual.



After you pay.

You can download the most
perfect and complete manual in
the world immediately.

Our support email:

ebooklibonline@outlook.com