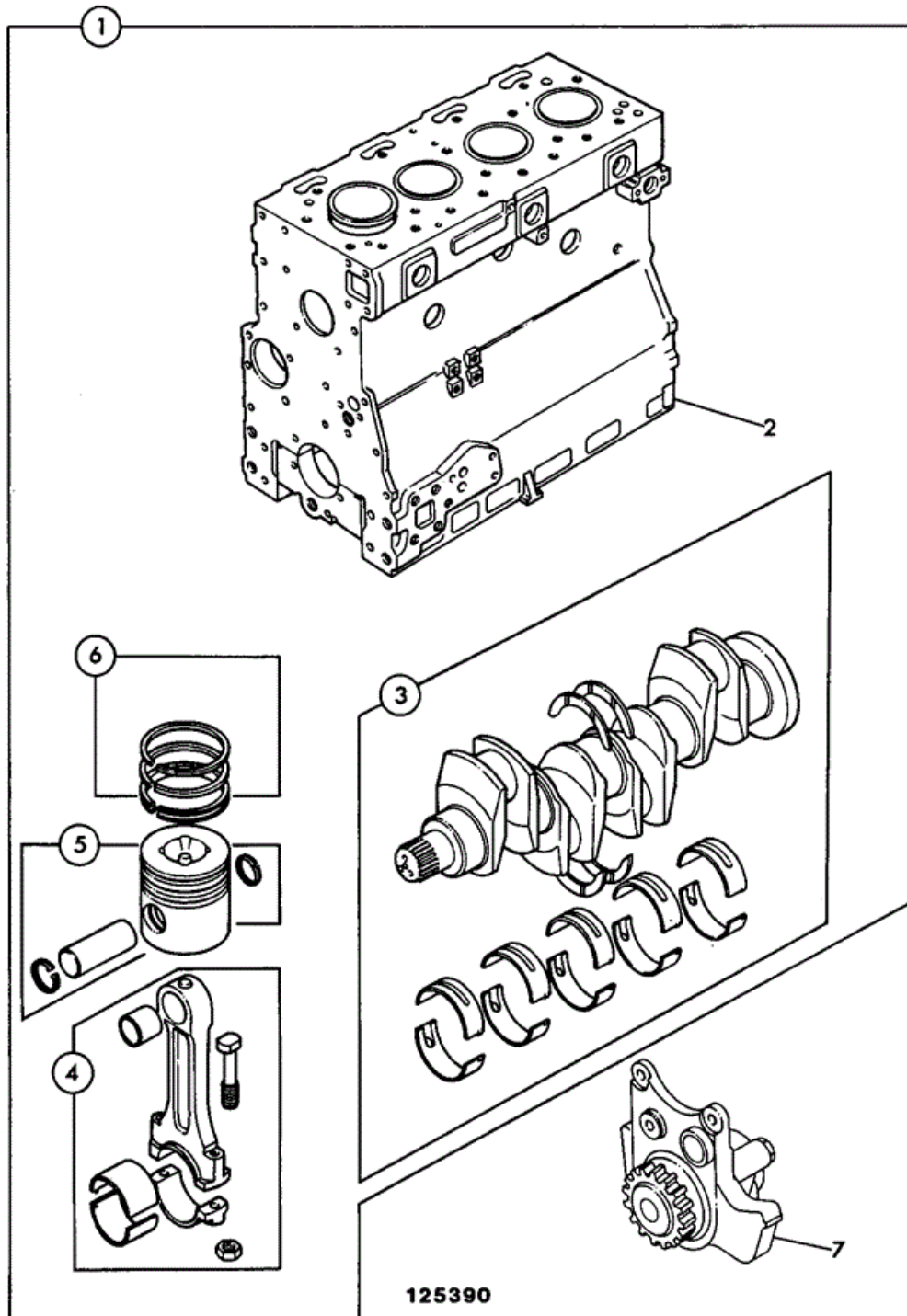




## 9802/9500 N1-2-2 ENGINE, SHORT AB BUILD



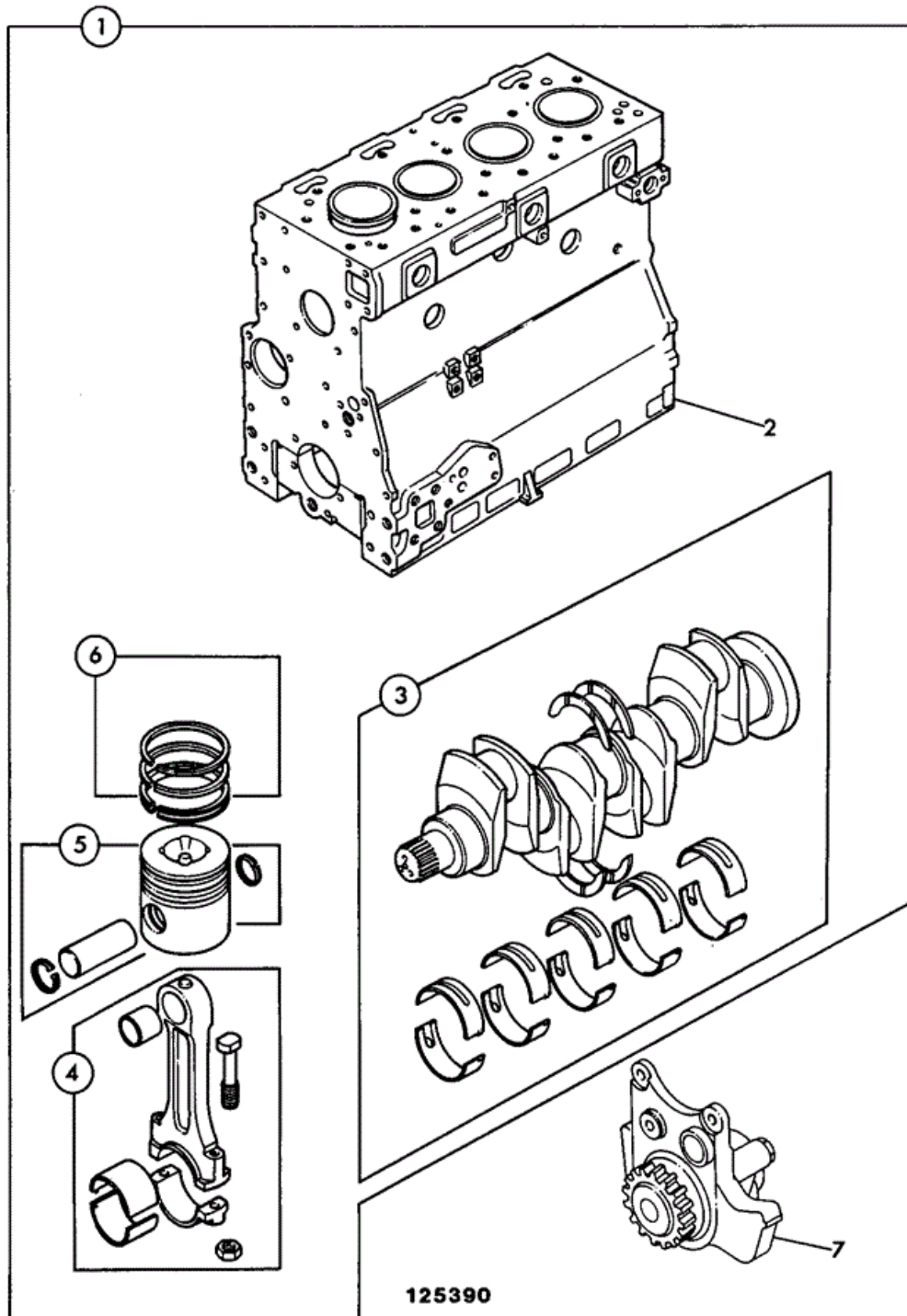
125390

Item	Part #	Change No	Description	Usage Code	QTY
1	02/200442		Engine short <i>Services Builds AB50364, AB50424</i>		1
2	****		'See Remark' <i>See frame N1-3-2, Block assembly</i>		1
3	****		'See Remark' <i>See frame N1-4-2, Crankshaft assembly</i>		1
4	****		'See Remark' <i>See frame N1-4-2, Con-rod assembly</i>		4
5	****		'See Remark' <i>See frame N1-4-2, Piston assembly</i>		4
6	****		'See Remark' <i>See frame N1-4-2, Piston ring kit</i>		4
7	****		'See Remark' <i>See frame N5-2-2, Oil pump</i> <i>See Note 1</i>		1

*Note 1: Not included in item 1*



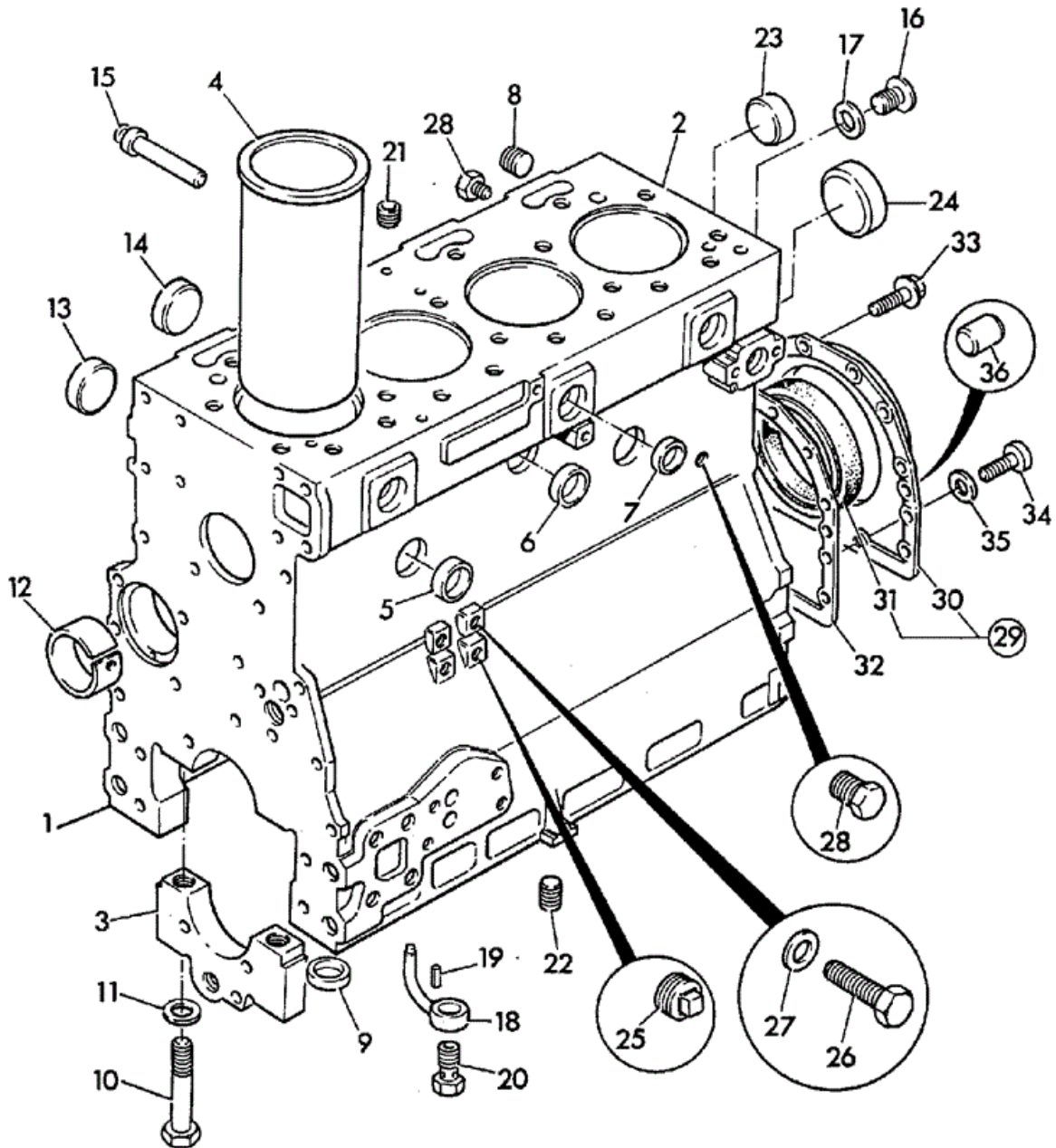
## 9802/9500 N1-2-4 ENGINE, SHORT AB BUILD



Item	Part #	Change No	Description	Usage Code	QTY
1	02/200445		Engine short, turbo <i>Services Builds AB50453, AB50459</i>		1
2	****		'See Remark' <i>See frame N1-3-2, Block assembly</i>		1
3	****		'See Remark' <i>See frame N1-4-4, Crankshaft assembly</i>		1
4	****		'See Remark' <i>See frame N1-4-4, Con-rod assembly</i>		4
5	****		'See Remark' <i>See frame N1-4-4, Piston assembly</i>		4
6	****		'See Remark' <i>See frame N1-4-4, Piston ring kit</i>		4
7	****		'See Remark' <i>See frame N5-2-2, Oil pump</i>		1



# 9802/9500 N1-3-2 BLOCK ASSEMBLY AB BUILD



Item	Part #	Change No	Description	Usage Code	QTY
1	02/200480		Block cylinder assembly		1
2	****		None serviced part <i>Block</i>		1
3	****		None serviced part <i>Bearing Cap</i>		5
4	:02/200002		Liner cylinder, slip fit		4
5	:02/200003		Plug core" D=26mm		2
6	:02/100396		Plug core D=32mm		5
7	:02/100396		Plug core D=32mm		1
8	:02/100134		Plug		1
9	:02/100101		Thimble		10
10	:02/100102		Bolt		10
11	:02/100615		Washer		10
12	:02/192001		Bush camshaft		1
13	:02/200454		Plug core D=38mm		4
14	:02/200454		Plug core D=38mm		2
15	:02/101827		Plug		1
16	:02/100111		Plug		1
17	:823/00276		Washer		1
18	****		'See Remark' <i>See frame N5-3-1</i>		4
19	****		'See Remark' <i>See frame N5-3-1</i>		4
20	****		'See Remark' <i>See frame N5-3-1</i>		4
21	02/100108		Plug		1
22	02/100582		Plug core D=16mm		1
23	02/200454		Plug core D=38mm		4
24	02/100107		Plug core D=50mm		1
25	826/00765		Plug		1
26	1315/0401Z		Bolt M10 x 10		1
27	823/00273		Washer		1
28	02/100132		Plug drain <i>Water drain</i>		2
28	02/100335		Tap drain <i>Alternative</i>		0
29	02/200523	Superseded	Housing rear seal <i>2 Hole fixing</i>		1
29	M.S.S	<EU619893X	Multi Supersession <i>See Note 1</i>		1
29A	02/200958	>EU619894X	Housing rear seal <i>4 Hole fixing</i>		1
30	****		'See Remark' <i>Cover</i>		1
31	:02/101436		Seal rear oil		1
32	02/100113	<EU619893X	Gasket rear seal housing <i>2 Hole fixing</i>		1
32A	02/201092	>EU619894X	Gasket rear seal housing <i>4 Hole fixing</i>		1
33	826/00869		Screw flange head		10
33A	826/00869	>EU619894X	Screw flange head <i>Required only with 4 Hole fixings</i>		2
34	1391/3307Z		Capscrew M8x25mm		2
35	02/100307		Washer		2

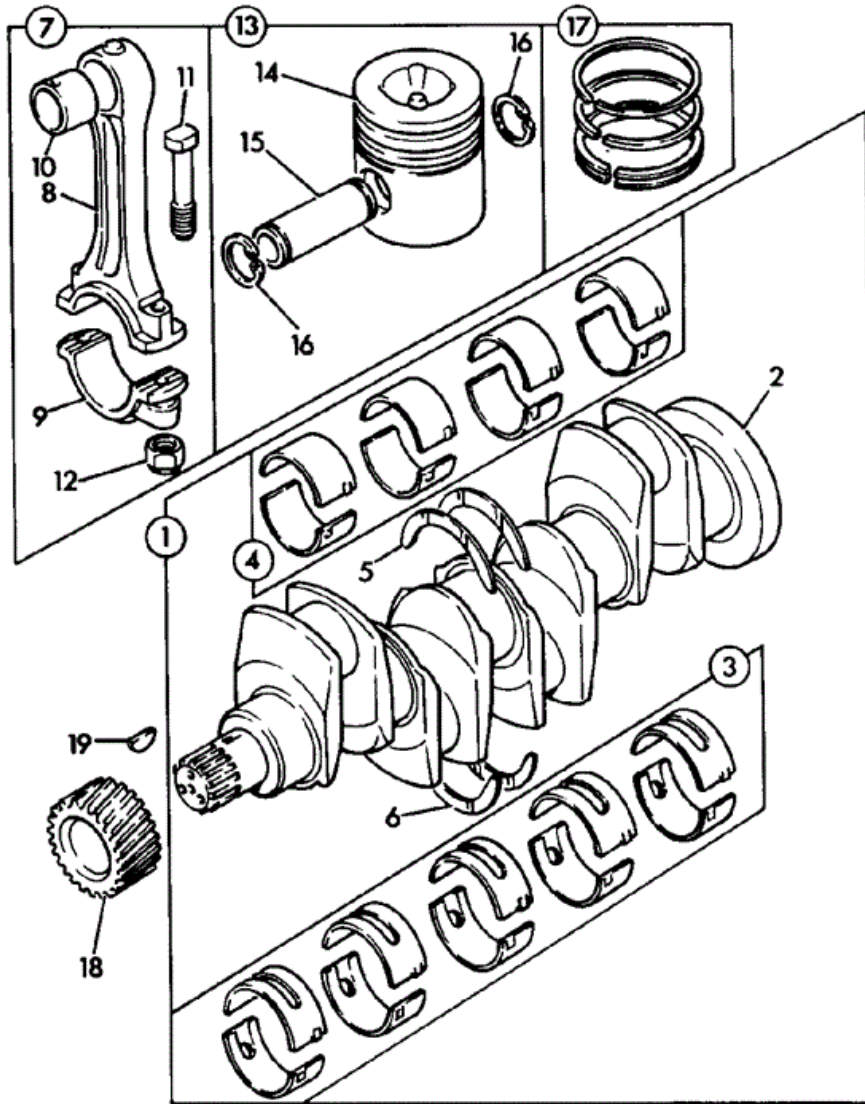
*Note 1: Part No Longer Available, use 29A with items 32A, 33A, and 1 off bridge piece 02/201094.*



## 9802/9500 N1-4-2 CRANKSHAFT, BEARINGS PISTONS & CON-RODS AB BUILD

---





095660

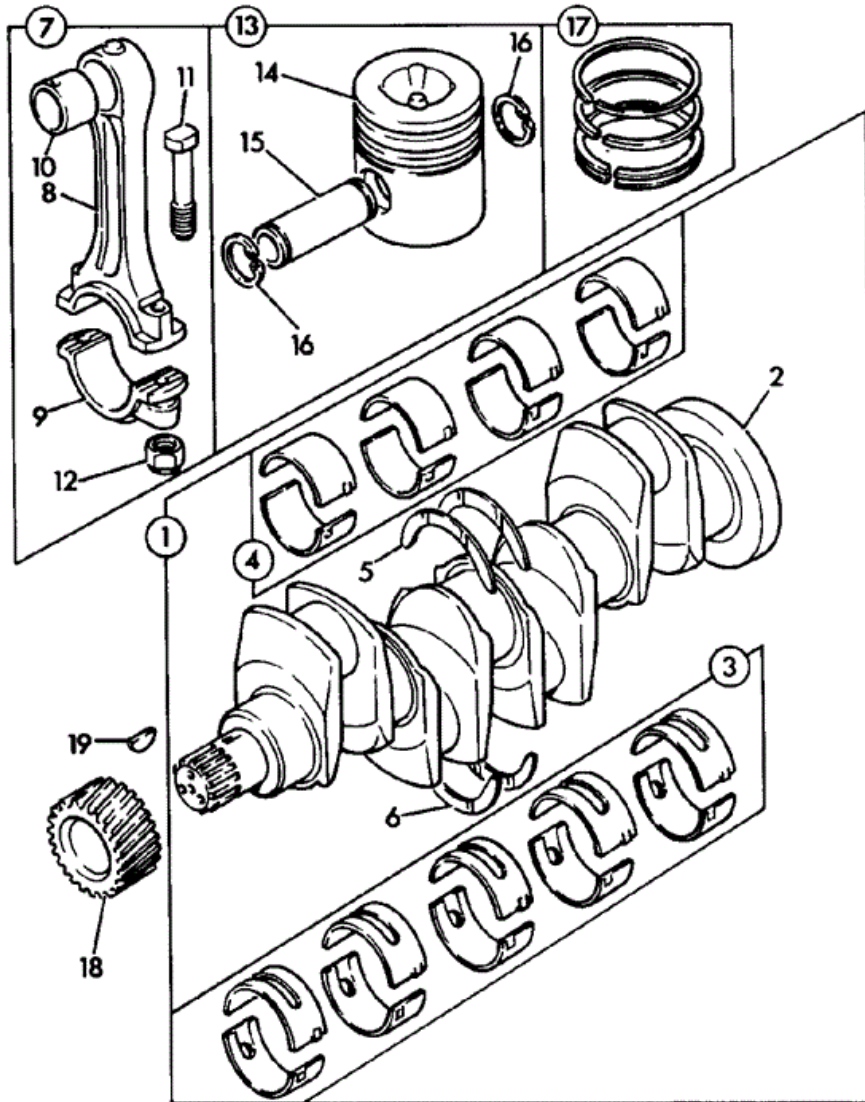
Item	Part #	Change No	Description	Usage Code	QTY
1	02/101927		Crankshaft assembly		1
2	****		None serviced part <i>Crankshaft</i>		1
3	:02/192002		Kit-bearing Main Standard		1
3	02/192003		Kit-bearing Main Undersize - .010inch		1
3	02/192004		Kit-bearing Main Undersize - .020inch		1

3	02/192005		Kit-bearing Main Undersize - .030inch	1
4	:02/192085		Kit-bearing 4 Pairs Standard	1
4	02/192086		Kit-bearing 4 Pairs Undersize - .010inch	1
4	02/192087		Kit-bearing 4 Pairs Undersize - 0.20inch	1
4	02/192088		Kit-bearing 4 Pairs Undersize - 0.30inch	1
5	:02/192083		Washer thrust top - standard	2
5	02/192011		Washer thrust top-oversize 0.19mm	2
6	:02/192084		Washer thrust bottom - standard	2
6	02/192013		Washer thrust btm-oversize 0.19mm	2
7	02/101632		Rod assembly connecting	4
8	****		None serviced part <i>Con-rod</i>	1
9	****		None serviced part <i>Cap</i>	1
10	:02/192019		Bush small end	1
11	:02/291072		Bolt	2
12	:02/100128		Nut	2
13	02/200007	Superseded	Piston assembly	4
13	02/200425	Superseded	Piston assembly	4
13	02/200782	<EU587747W	Piston assembly	4
13	02/200825	Superseded	Piston assembly	1
13	02/200782		Piston assembly	4
14	****		None serviced part <i>Piston</i>	1
15	****		None serviced part <i>Gudgeon pin</i>	1
16	:02/100129		Circlip	2
17	02/200020		Kit-piston ring	4
18	02/290001		Gear	1
19	02/100038		Key	1



## 9802/9500 N1-4-4 CRANKSHAFT, BEARINGS PISTONS & CON-RODS AB BUILD

---



095660

Item	Part #	Change No	Description	Usage Code	QTY
1	02/200915		Crankshaft assembly		1
2	****		None serviced part <i>Crankshaft</i>		1
3	:02/192002		Kit-bearing Main Standard		1
3	02/192003		Kit-bearing Main Undersize - .010inch		1
3	02/192004		Kit-bearing Main Undersize - .020inch		1

3	02/192005		Kit-bearing Main Undersize - .030inch	1
4	:02/192085		Kit-bearing 4 Pairs Standard	1
4	02/192086		Kit-bearing 4 Pairs Undersize - .010inch	1
4	02/192087		Kit-bearing 4 Pairs Undersize - 0.20inch	1
4	02/192088		Kit-bearing 4 Pairs Undersize - 0.30inch	1
5	:02/192083		Washer thrust top - standard	2
5	02/192011		Washer thrust top-oversize 0.19mm	2
6	:02/192084		Washer thrust bottom - standard	2
6	02/192013		Washer thrust btm-oversize 0.19mm	2
7	02/101632		Rod assembly connecting	4
8	****		None serviced part <i>Con-rod</i>	1
9	****		None serviced part <i>Cap</i>	1
10	:02/192019		Bush small end	1
11	:02/291072		Bolt	2
12	:02/100128		Nut	2
13	02/200860		Piston assembly	4
14	****		None serviced part <i>Piston</i>	1
15	****		None serviced part <i>Gudgeon pin</i>	1
16	:02/100129		Circlip	2
17	02/200859		Kit-piston ring	4
18	02/290001		Gear	1
19	02/100038		Key	1



## 9802/9500 N1-5-1 FANS, PULLEYS & FAN BELT, STANDARD AB BUILD

---

Thank you so much for reading.  
Please click the “Buy Now!”  
button below to download the  
complete manual.



After you pay.

You can download the most  
perfect and complete manual in  
the world immediately.

Our support email:

[ebooklibonline@outlook.com](mailto:ebooklibonline@outlook.com)