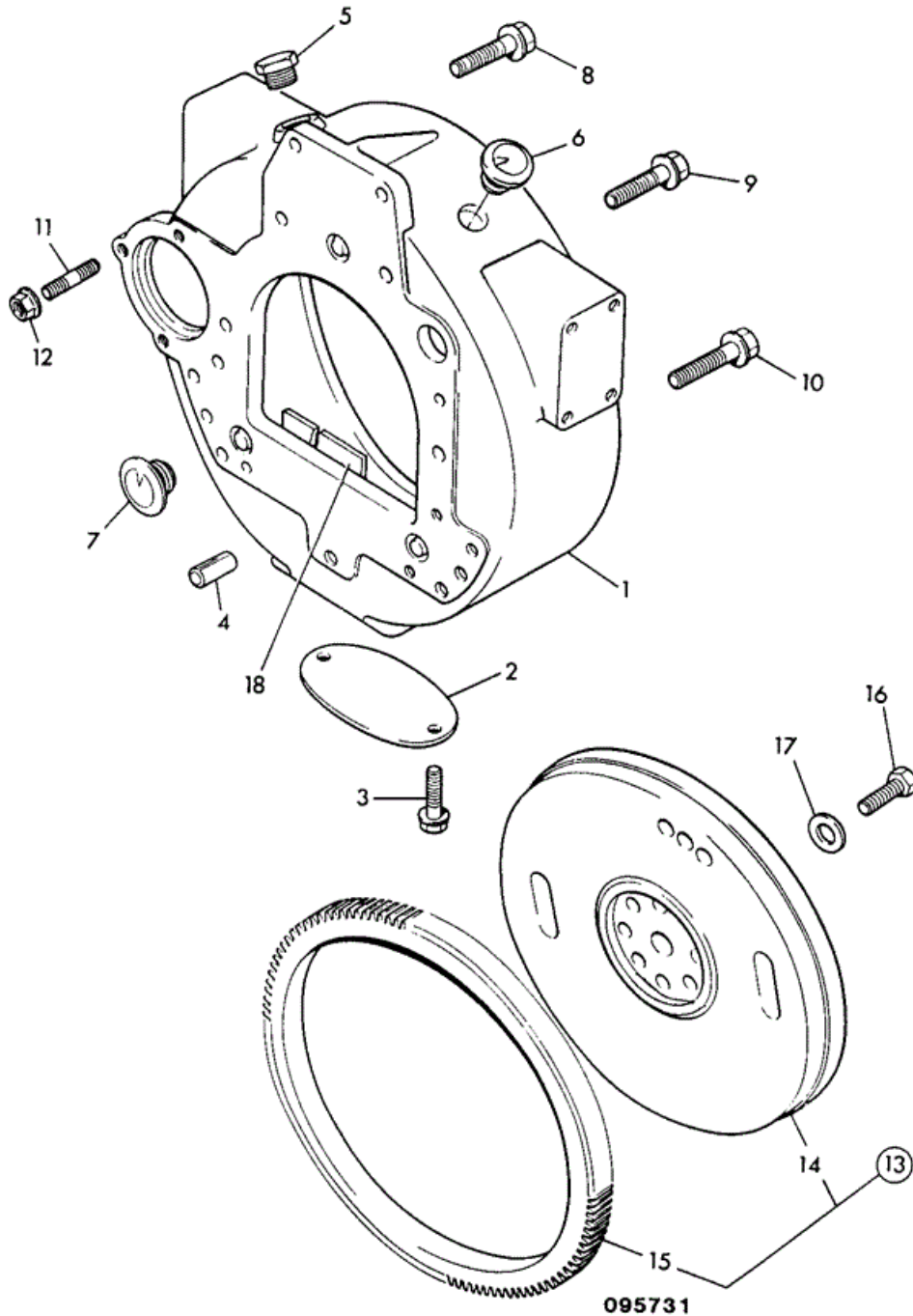




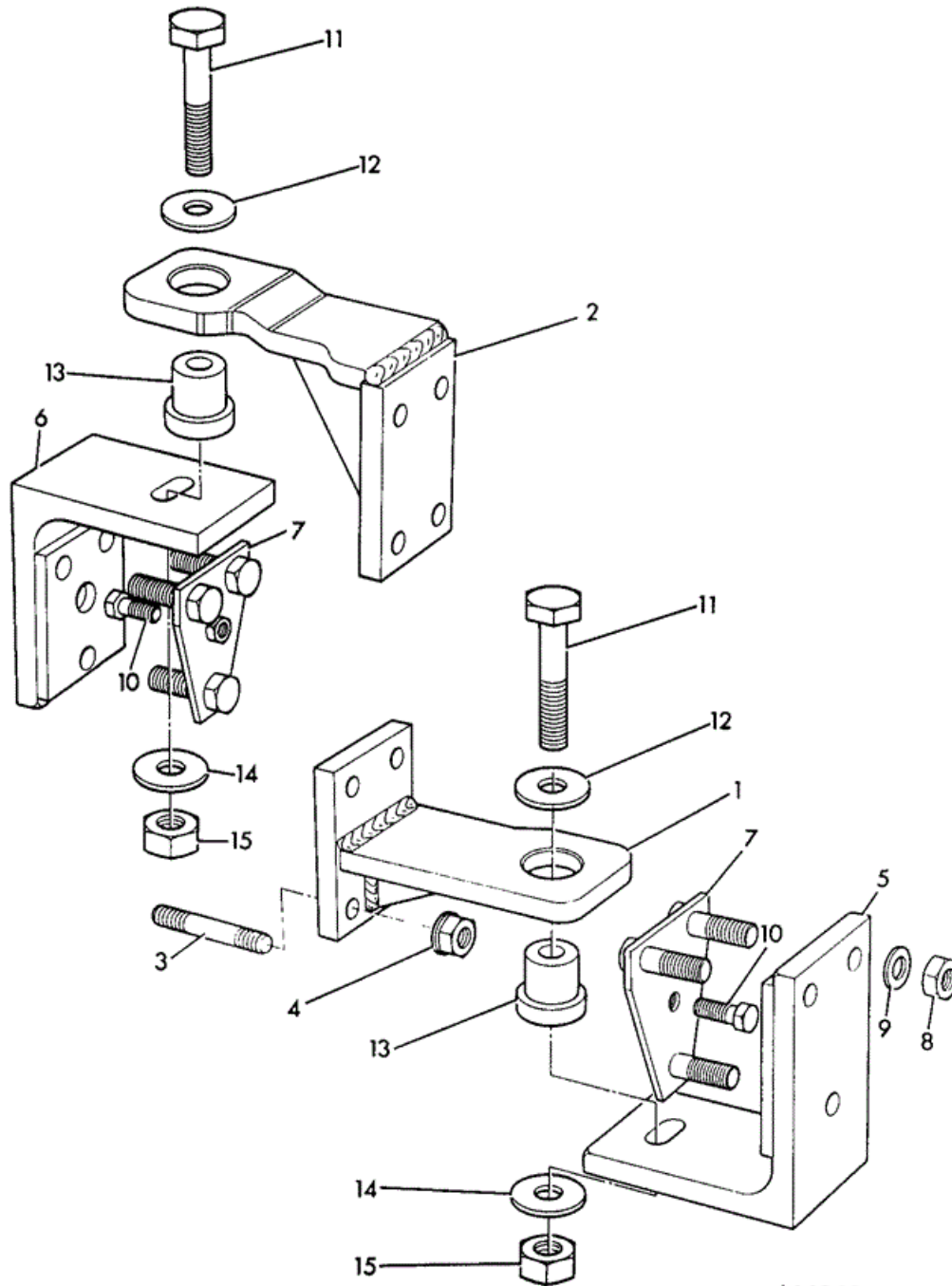
9802/9500 N1-7-1 FLYWHEEL & HOUSING AB BUILD



Item	Part #	Change No	Description	Usage Code	QTY
1	02/200500		Housing flywheel		1
2	02/200042		Plate Cover		1
3	02/291009		Bolt		2
4	02/100361		Dowel		2
5	02/200043		Plug		1
6	02/101441		Plug		1
7	02/201518		Plug		1
8	02/291047		Bolt		2
9	02/291037		Bolt		6
10	02/291034		Bolt		3
11	02/291002		Stud		3
12	02/291059		Nut		3
13	02/200044		Flywheel assembly <i>STANDARD BUILD</i>		1
13A	02/200044	<M420558	Flywheel assembly <i>SERVO BUILD ONLY</i>		1
13A	02/201400		Flywheel assembly		1
14	****		None serviced part <i>Flywheel</i>		1
15	:02/100540		Gear starter ring		1
16	1305/3410		Bolt		6
17	02/200725		Washer		6
18	02/101282		Seal felt		1



9802/9500 N1-8-1 ENGINE MOUNTINGS

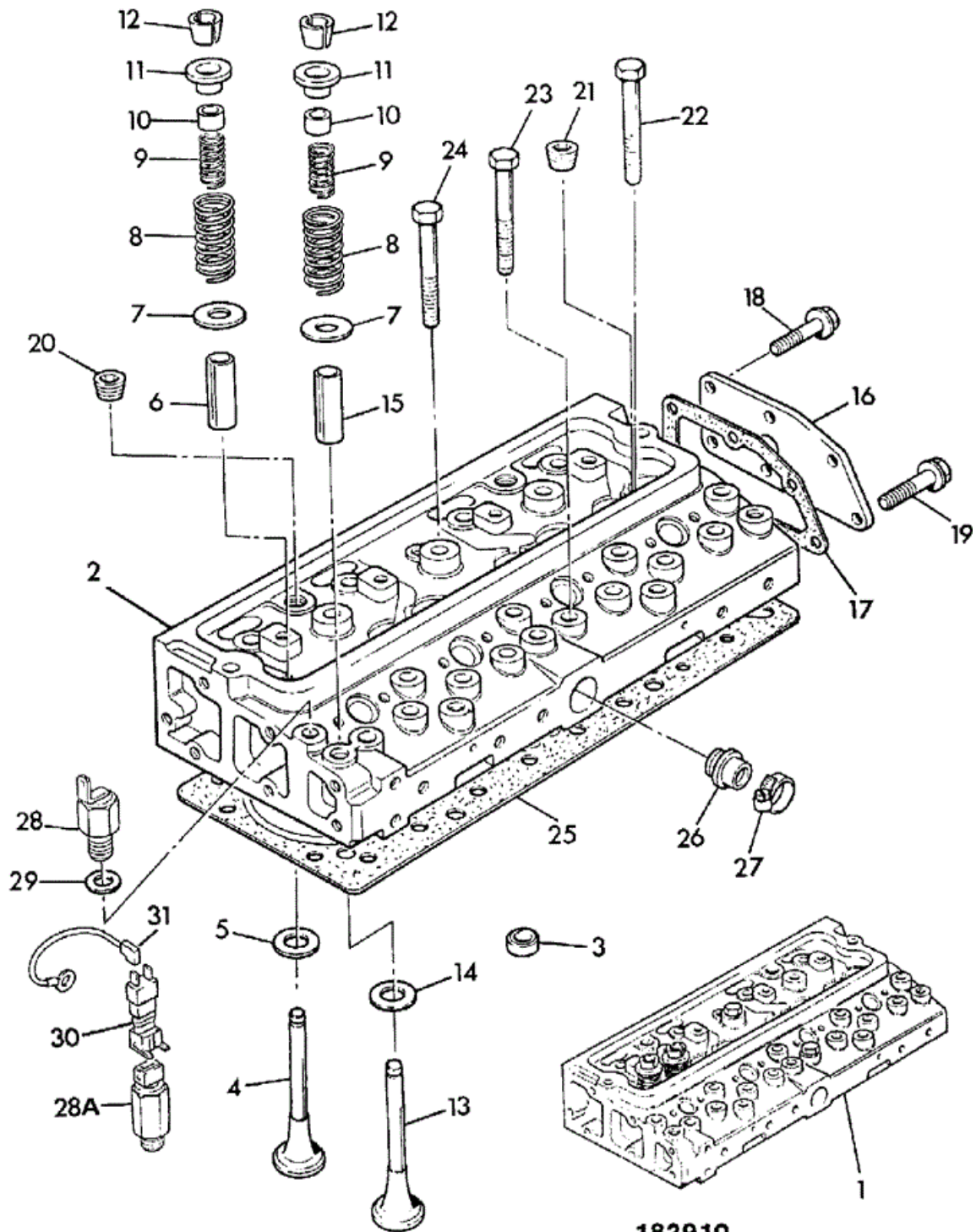


144040

Item	Part #	Change No	Description	Usage Code	QTY
1	125/10600	Superseded	Bracket mounting-left hand		1
1	M.S.S	<M402122	Multi Supersession <i>Part N/A use 1A with items 2A & 13A</i>		1
1A	125/26600		Bracket engine mounting		1
2	125/10700	Superseded	Bracket mounting-right hand		1
2	M.S.S	<M402122	Multi Supersession <i>Part N/A use 2A with items 1A & 13A</i>		1
2A	125/26700		Bracket engine mounting		1
3	02/291124		Stud		8
4	02/291060		Nut		8
5	123/02614	<M400076	Bracket mounting-left hand		1
5	123/03132		Bracket mounting-left hand		1
6	123/02552	<M400076	Bracket mounting-right hand		1
6	123/03131		Bracket mounting-right hand		1
7	123/02560	<M400076	Plate backing		2
7	123/03133		Plate backing		2
8	1370/0403Z		Nut Lock, M12		6
9	1420/0009Z		Washer (M12)		6
10	1315/0407Z		Setscrew M10 x 25 mm		2
11	1315/3519Z		Bolt M12x90mm		2
12	123/02453		Washer Rebound (13.5mm x 65mm x 5mm)		2
13	123/02819	Superseded	Mounting rubber		2
13	M.S.S	<M402122	Multi Supersession <i>Part N/A use 13A with items 1A & 2A</i>		1
13A	123/03138		Mounting rubber		2
14	823/00531		Washer		2
15	1370/0403Z		Nut Lock, M12		2



9802/9500 N2-1-2 CYLINDER HEAD AB BUILD

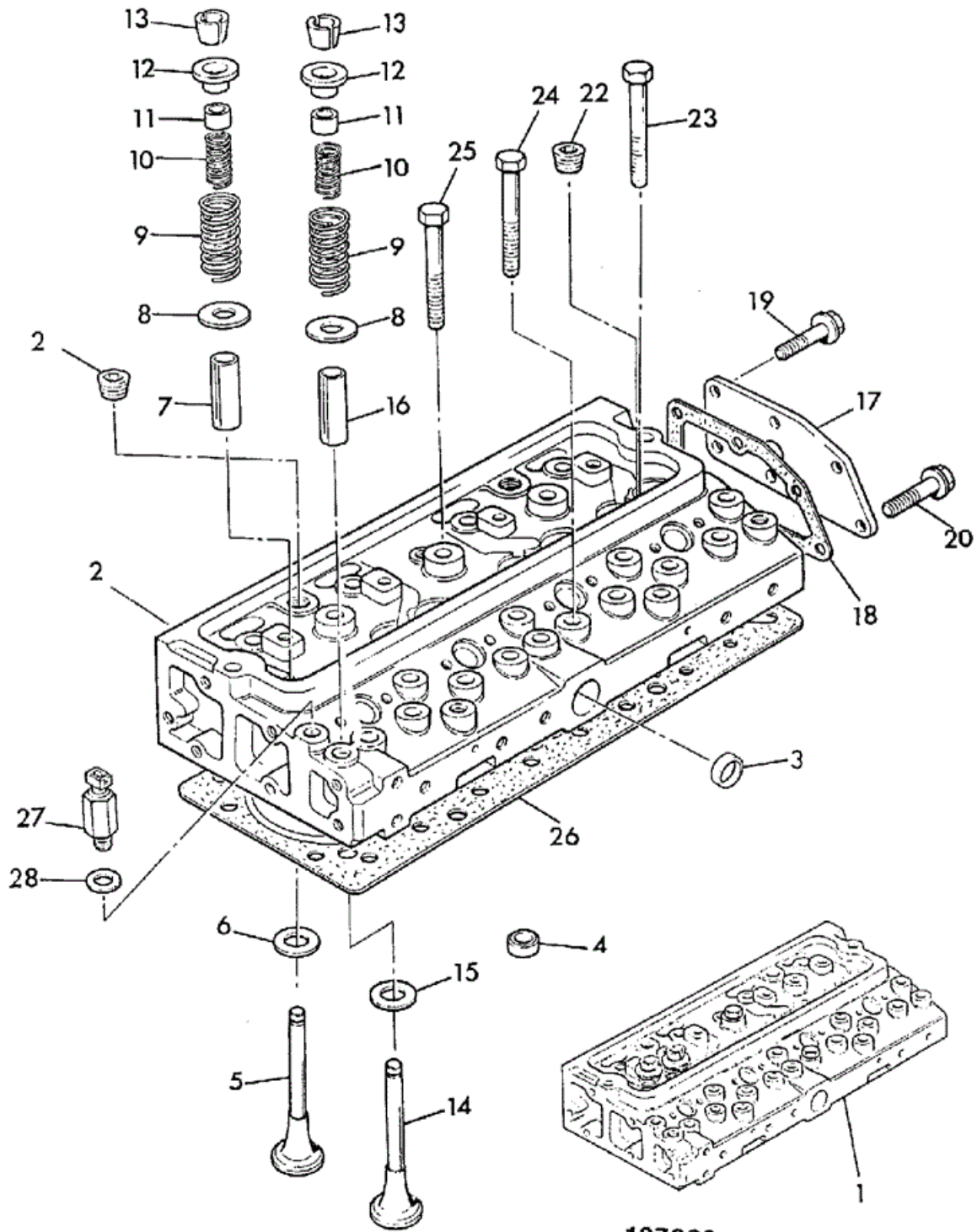


182910

Item	Part #	Change No	Description	Usage Code	QTY
1	02/200046		Head cylinder assembly		1
2	****		None serviced part <i>Head</i>		1
3	:02/200047		Plug core D=16mm		4
4	:02/200051		Valve Inlet		4
5	:02/200048		Insert inlet valve		4
6	:02/101883		Guide inlet valve		4
7	:02/100638		Seat spring		8
8	:02/101968		Spring Valve outer		8
9	:02/101969		Spring Valve inner		8
10	:02/100668		Seal valve		8
11	:02/101970		Holder Collet		8
12	:02/100024		Collet		8
13	:02/101705		Valve exhaust, standard		4
14	:02/200049		Insert exhaust valve		4
15	:02/101884		Guide exhaust valve		4
16	:02/200513		Cover end		1
17	:02/101785		Gasket		1
18	:02/291016		Screw		3
19	:826/00869		Screw flange head		1
20	:02/100095		Plug taper		2
21	02/100409		Plug taper threaded		4
22	02/100122		Bolt cylinder head		2
23	02/100120		Bolt cylinder head check engine for quantities either 10 or 12 bolts		8
24	02/100121		Bolt cylinder head		12
25	02/200477		Gasket cylinder head		1
26	02/200113		Connector		1
27	2201/0006		Clip Jubilee, 17/32mm		1
28	701/33600	Superseded	Switch water temperature		1
28	M.S.S	<M400076	Multi Supersession <i>Part N/A use 28A with item 30</i>		1
28A	701/36200	Superseded	Switch water temperature		1
28A	701/37400	>M400077	Switch temperature		1
29	823/00264		Washer Aluminium (I/D=16mm)		1
31	718/42100	<M400076	Lead earth		1



9802/9500 N2-1-4 CYLINDER HEAD AB BUILD

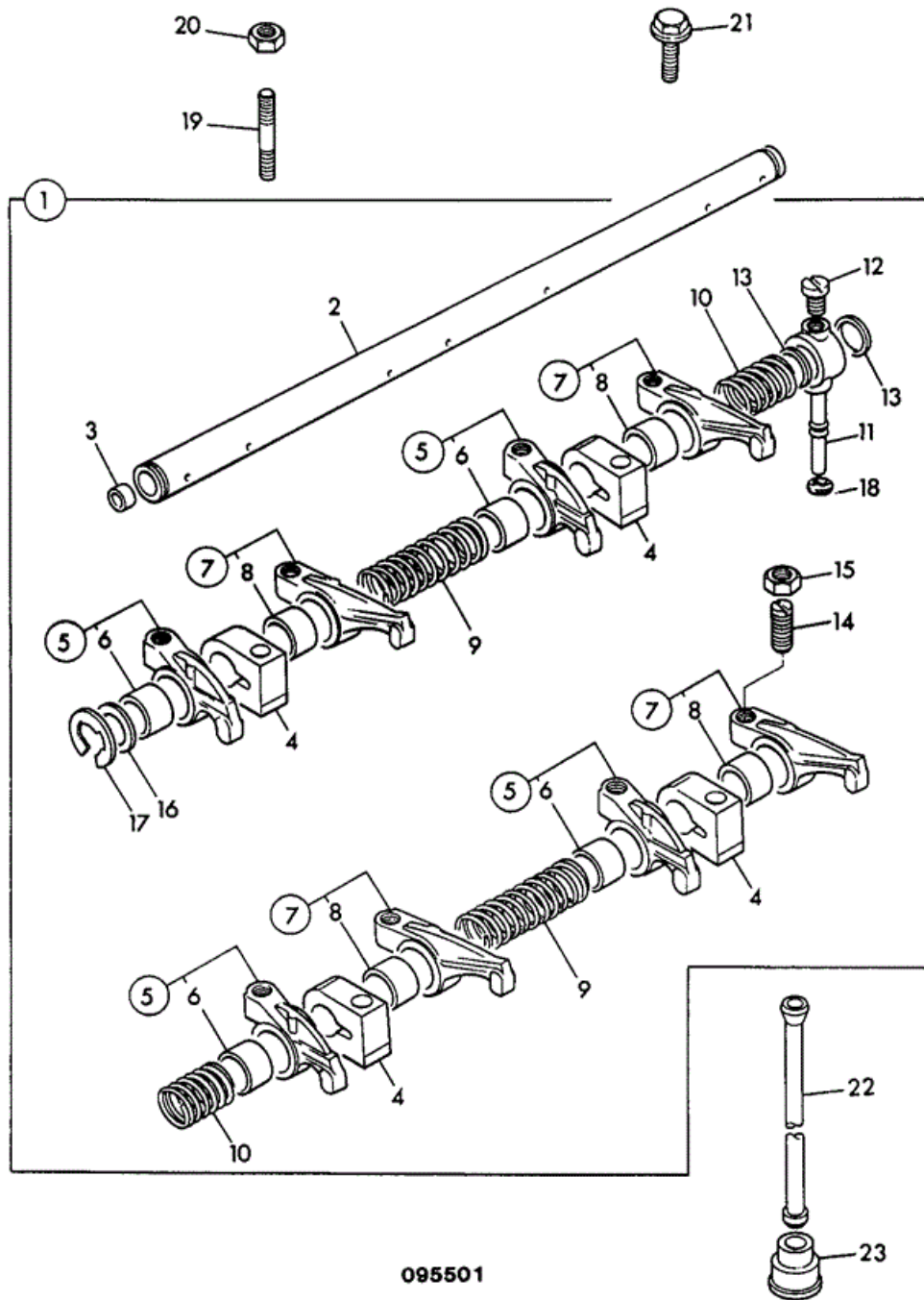


187360

Item	Part #	Change No	Description	Usage Code	QTY
1	02/200900		Head cylinder assembly		1
2	****		None serviced part <i>Head</i>		1
3	:02/100396		Plug core D=32mm		1
4	:02/200047		Plug core D=16mm		4
5	:02/200863		Valve inlet		4
6	:02/200866		Insert inlet valve		4
7	:02/200868		Guide inlet valve		4
8	:02/100638		Seat spring		8
9	:02/101968		Spring Valve outer		8
10	:02/101969		Spring Valve inner		8
11	:02/100668		Seal valve		8
12	:02/101970		Holder Collet		8
13	:02/100024		Collet		8
14	:02/101705		Valve exhaust, standard		4
15	:02/200049		Insert exhaust valve		4
16	:02/101884		Guide exhaust valve		4
17	:02/200513		Cover end		1
18	:02/101785		Gasket		1
19	:02/291016		Screw		3
20	:826/00869		Screw flange head		1
21	:02/100095		Plug taper		2
22	02/100409		Plug taper threaded		4
23	02/100122		Bolt cylinder head		2
24	02/100120		Bolt cylinder head check engine for quantities either 10 or 12 bolts		8
25	02/100121		Bolt cylinder head		12
26	02/200477		Gasket cylinder head		1
27	701/37400		Switch temperature		1
28	823/00264		Washer Aluminium (I/D=16mm)		1



9802/9500 N2-2-2 ROCKER ASSEMBLY PUSH RODS & TAPPETS AB BUILD

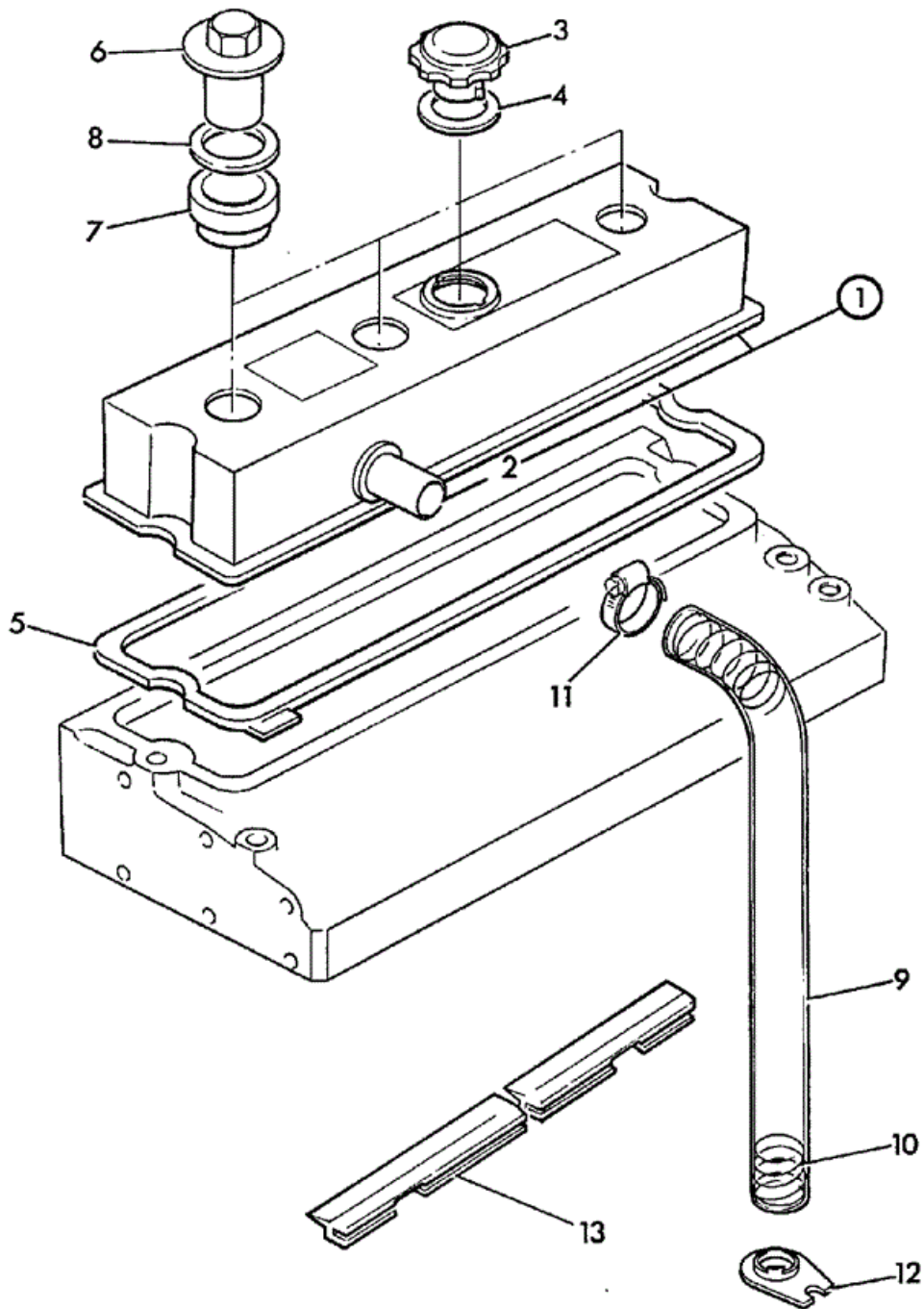


Item	Part #	Change No	Description	Usage Code	QTY
1	02/200070		Shaft assembly, rocker		1
2	:02/101886		Shaft rocker		1
3	:02/100152		Plug core D=11mm		2
4	:02/200069		Bracket		4
5	:02/200216		Lever rocker, right hand		4

6	::02/192050		Bush	1
7	:02/200217		Lever rocker, left hand	4
8	::02/192050		Bush	1
9	:02/100028		Spring long	2
10	:02/100029		Spring short	2
11	:02/101713	Superseded	Pipe rocker feed	1
11	:M.S.S	<EU581457V	Multi Supersession <i>Part N.L.A use 11A with item 12A</i>	1
11A	:02/200756		Pipe rocker feed	1
12	:02/101714	<EU581457V	Screw <i>Used only with 11</i>	1
12A	:02/291142		Screw <i>Used only with 11A</i>	1
13	:02/101804		Shim	2
14	:02/100032		Screw	8
15	:02/101203		Nut lock	8
16	:02/101889		Washer	2
17	:02/100287		Circlip	2
18	:816/60170		Olive	1
19	02/291121		Stud	3
20	02/291060		Nut	3
21	02/291125		Screw	1
22	02/100043		Rod push	8
23	02/100044		Tappet	1

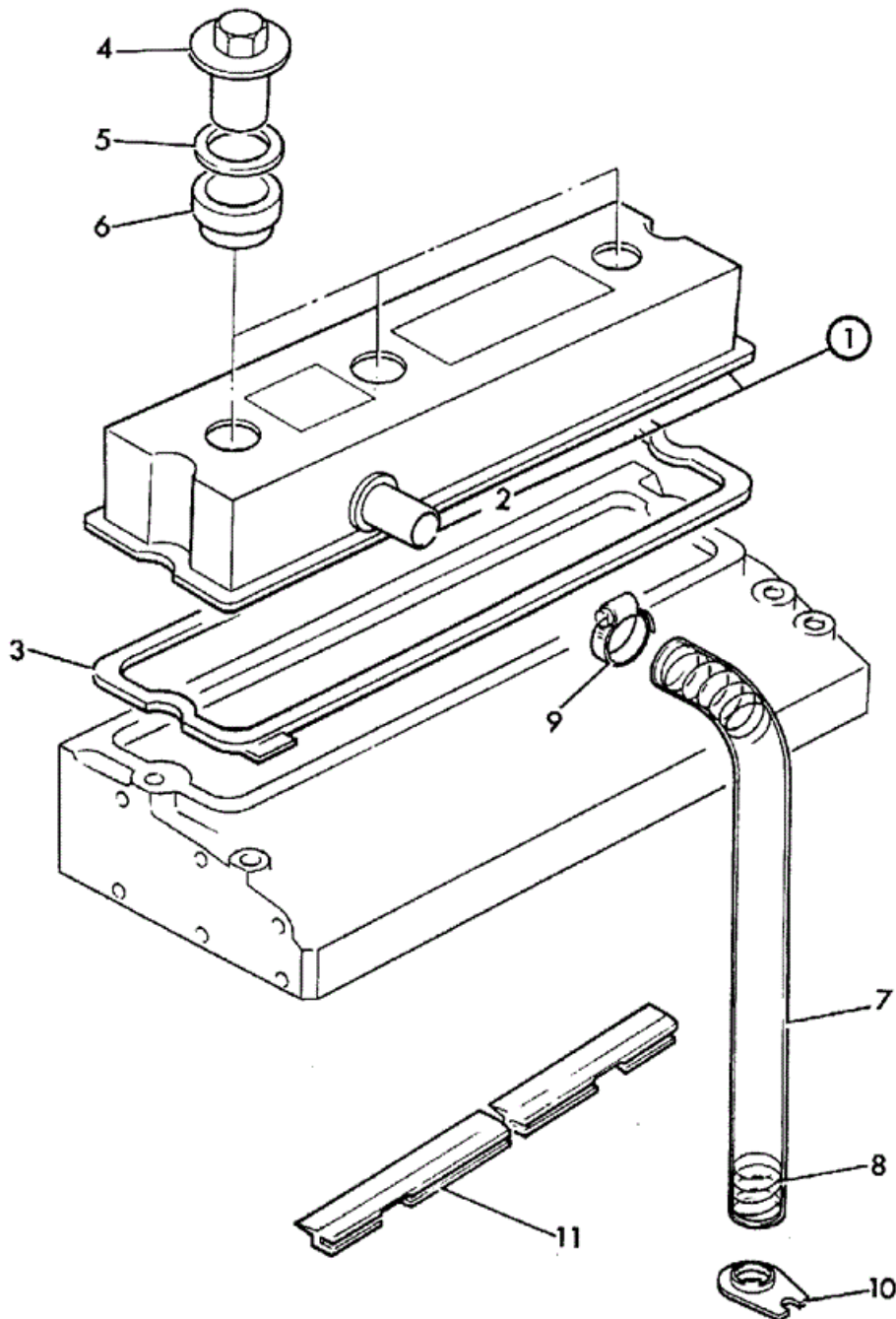


9802/9500 N2-3-2 ROCKER COVER AB BUILD



Item	Part #	Change No	Description	Usage Code	QTY
1	02/200314		Cover rocker		1
2	:02/200473		Connector		1
3	02/200039		Cap oil filler		1
4	02/200040		Seal		1
5	02/200061		Gasket rocker cover		1
6	02/200429	Superseded	Nut sleeve		3
6	M.S.S		Multi Supersession <i>Part N.L.A use 6A with item 6B</i>		1
6A	02/200834		Nut sleeve		1
6B	1410/0007Z		Washer (5/8" Small)		1
7	02/192069		Bush		3
8	02/200699		Shim		1
9	02/200058		Hose oil breather		1
10	02/101290		Spring		1
11	2201/0005		Clip Worm Drive 14/27mm		1
12	02/200059		Bracket		1
13	02/200189		Seal strip		1

JCB 9802/9500 N2-3-3 ROCKER COVER AB BUILD



Thank you so much for reading.
Please click the “Buy Now!”
button below to download the
complete manual.



After you pay.

You can download the most
perfect and complete manual in
the world immediately.

Our support email:

ebooklibonline@outlook.com