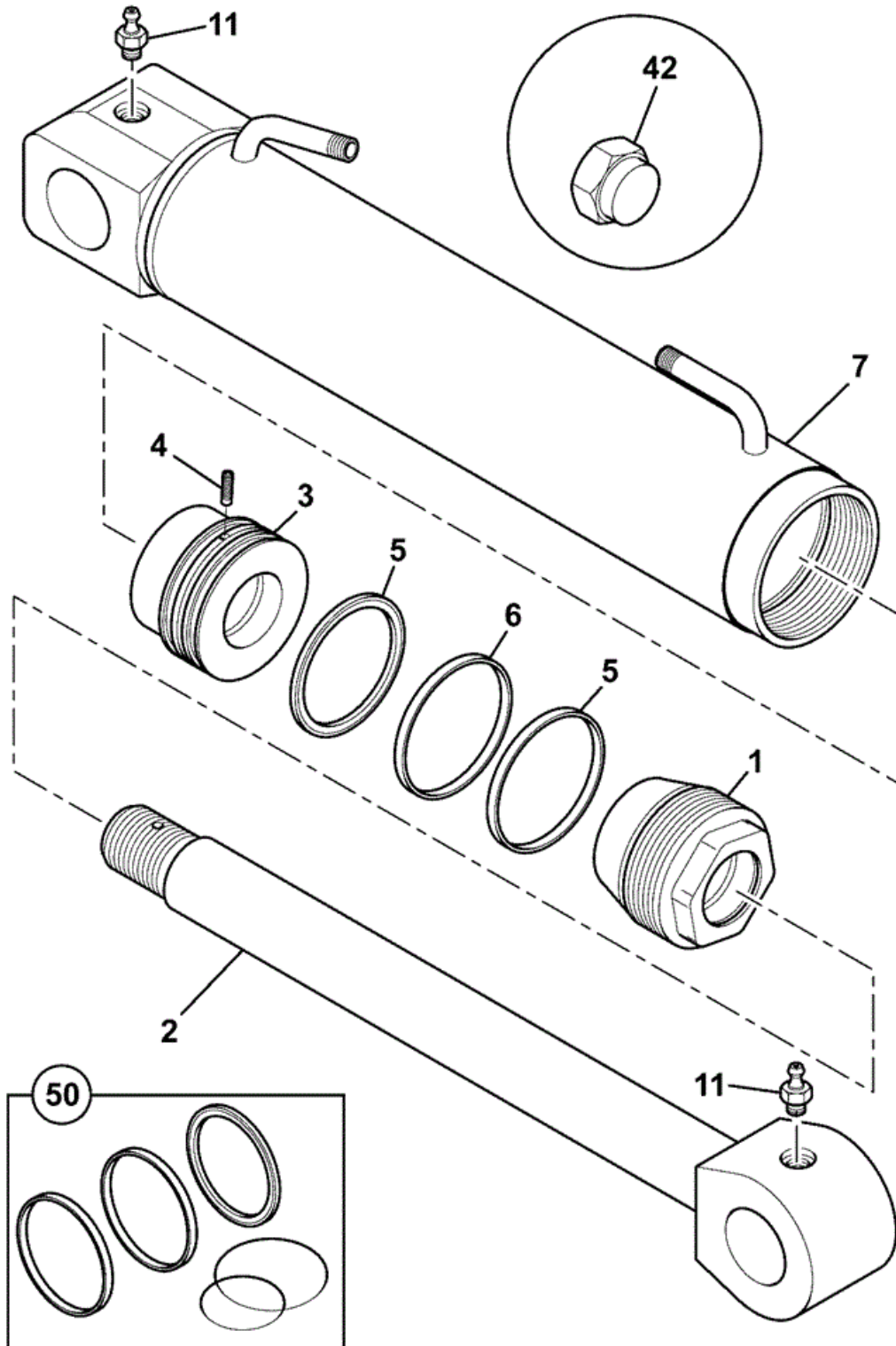




9812/7090 E4-1-30 RAM DISPLACEMENT 90 x 50

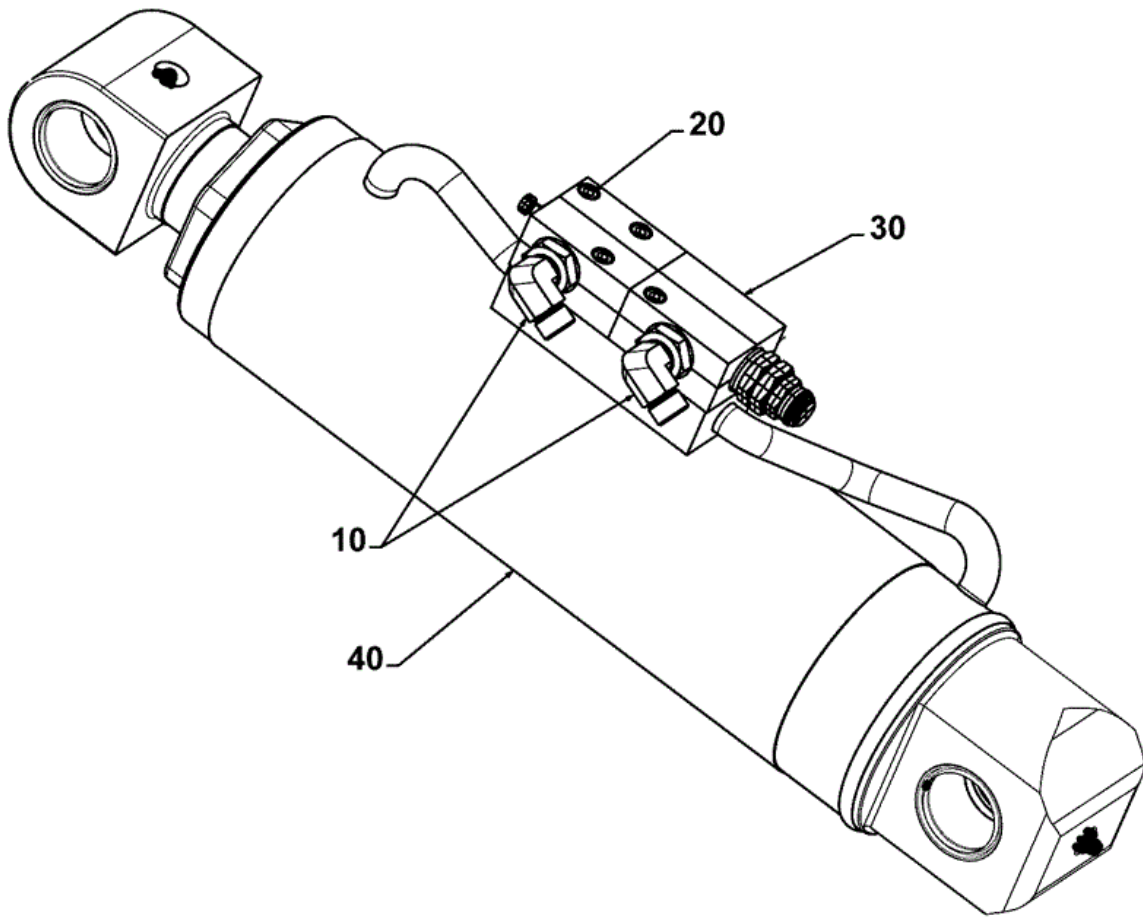


406110

Item	Part #	Change No	Description	Usage Code	QTY
A	557/60231		Ram Displacement, Assembly		1
1	:332/G1002		Kit-end cap Service		1
2	:590/40793		Rod Piston		1
2A	::1208/0015		Bush Spring		1
3	:595/27300		Head piston		1
4	:826/01179		Dowel		1
5	:2411/7918		Ring Wear		1
6	:2411/1135		Seal piston		1
7	:557/70231		Cylinder WA		1
7A	::1208/0021		Bush Spring Steel		1
11	:1450/0001		Nipple Grease, Straight 1/8 BSP		2
42	****		'See Remark' <i>not required</i>		0
50	:991/00103		Kit-seal		1



9812/7090 E4-1-40 RAM TILT 130 x 70

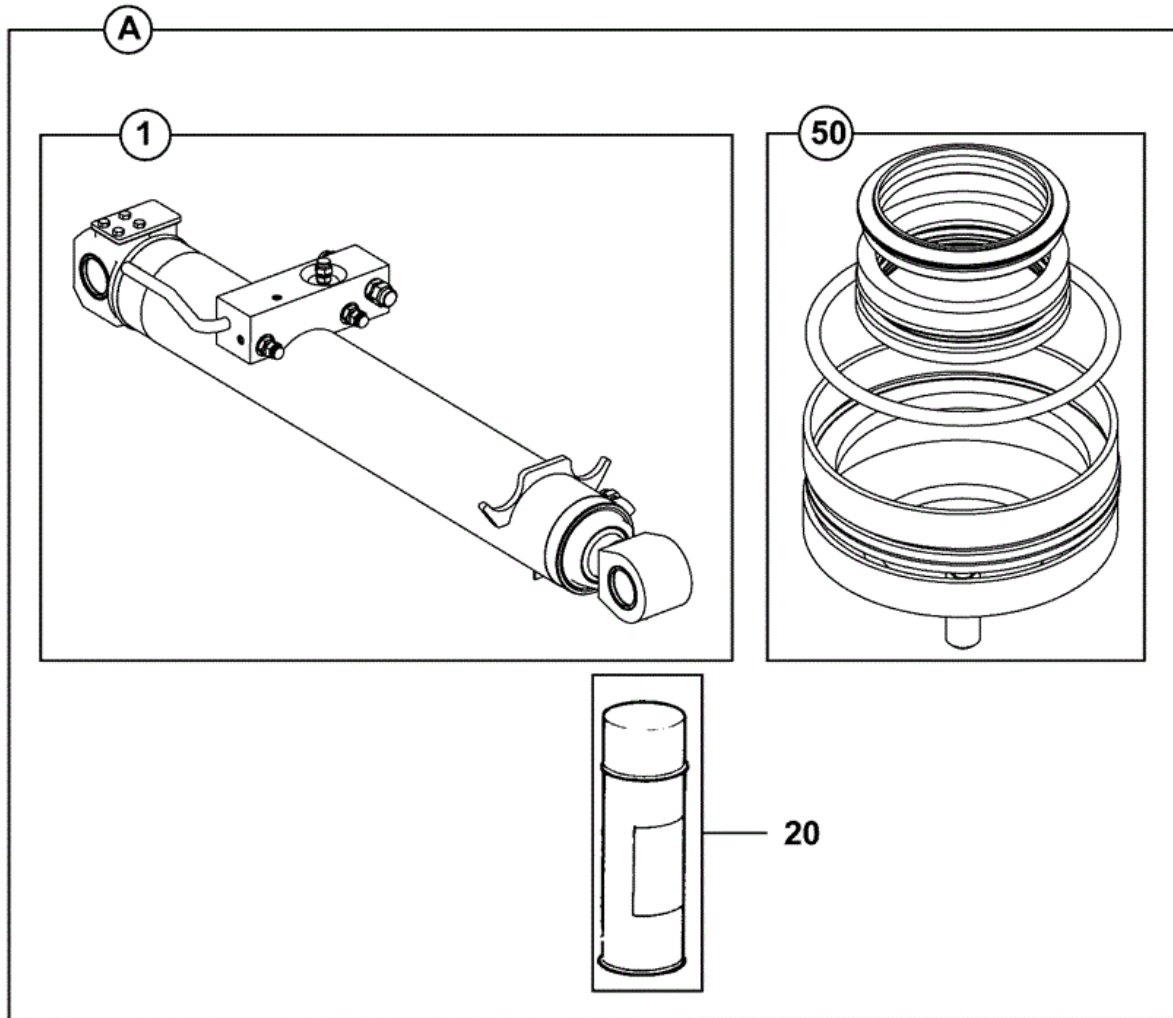


332-G1511-1

Item	Part #	Change No	Description	Usage Code	QTY
10	816/90041		Adapter elbow, M/M 1/2" BSP x 7/8"		2
20	1391/3312		Capscrew M8 x 50mm		4
30	332/F6934		Valve Assembly Counterbalance		1



9812/7090 E4-7-1 RAM,LIFT ASSEMBLY

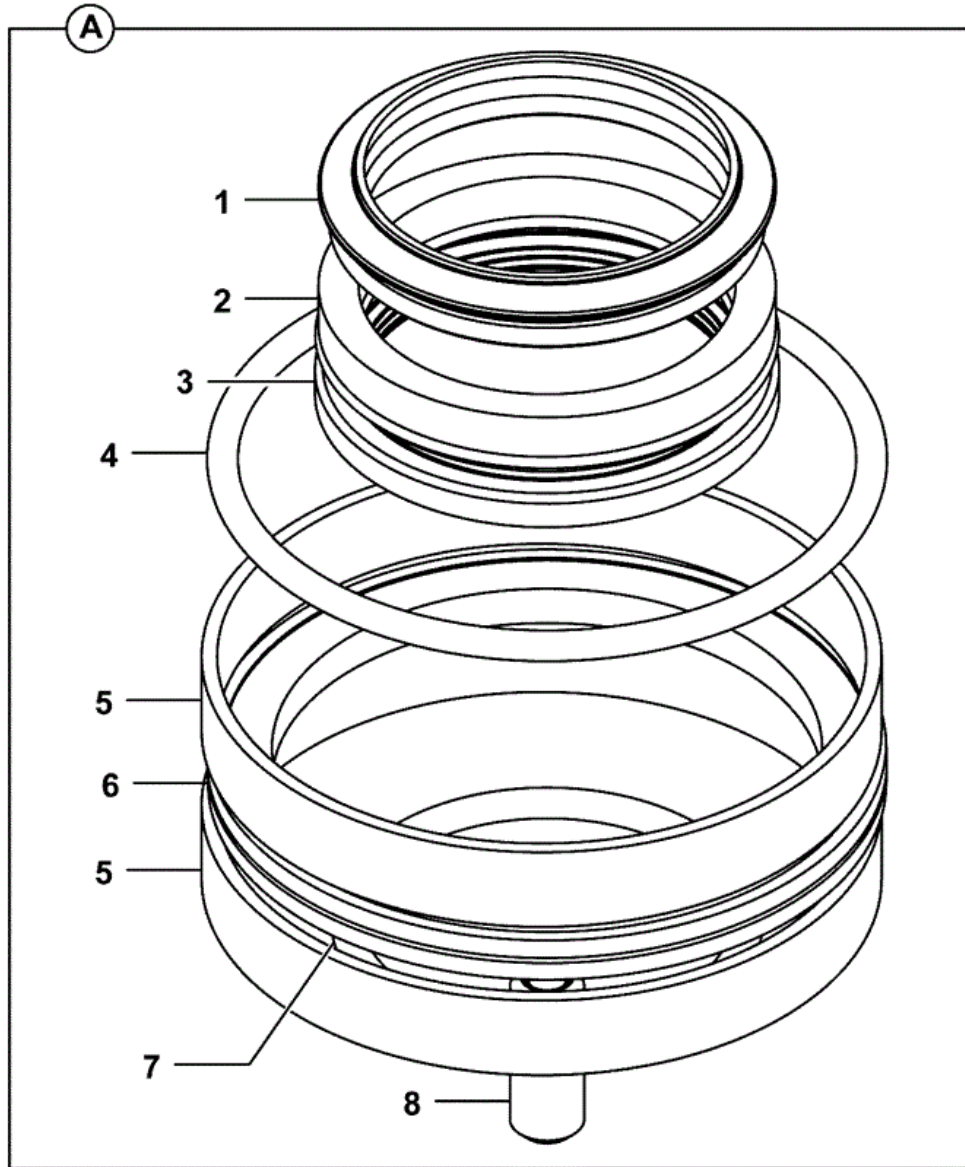


561-60292-3

Item	Part #	Change No	Description	Usage Code	QTY
A	561/60292		Ram Assembly, Lift - SRS		1
1	:561/60292N		Ram Lift		1
20	****		Paint Consumables Black		1



9812/7090 E4-8-1 SEAL KIT LIFT RAM ASSEMBLY

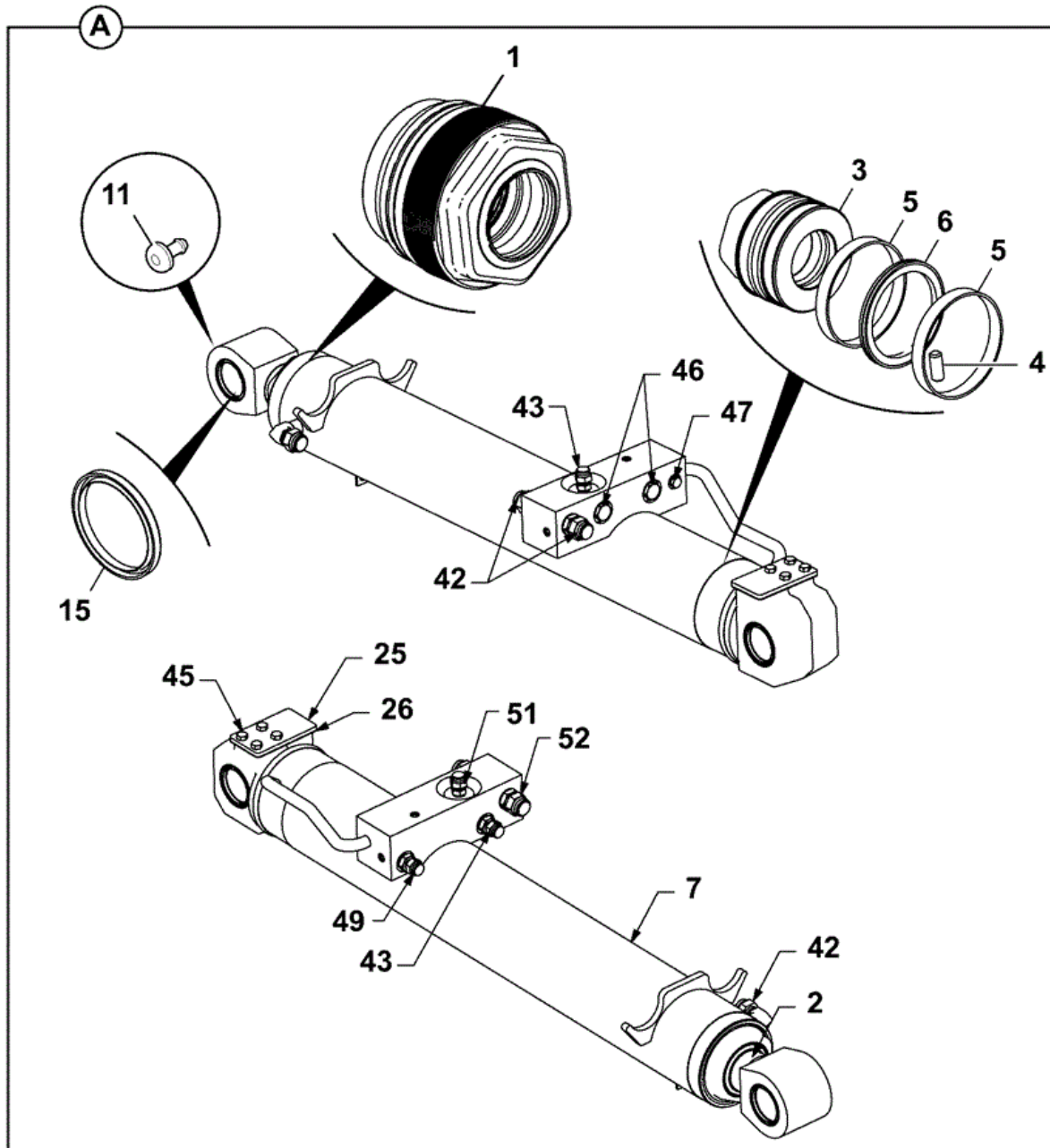


991-20002-1

Item	Part #	Change No	Description	Usage Code	QTY
A	991/20002		Seal Kit		1
1	332/E2958		Seal wiper 60 x 70 x 6.0		1
2	2411/0508		Seal 60 x 75 x 11.4		1

3	332/E7858		Seal buffer 60 x 75 x 6.3	1
4	2302/0314		O Ring	1
5	2411/7920		Ring wear	2
6	2411/1139		Seal piston	1
7	2302/0306		O Ring 60 x 5.0	1
8	826/01180		Dowel	1

JCB 9812/7090 E4-9-1 RAM,LIFT ASSEMBLY



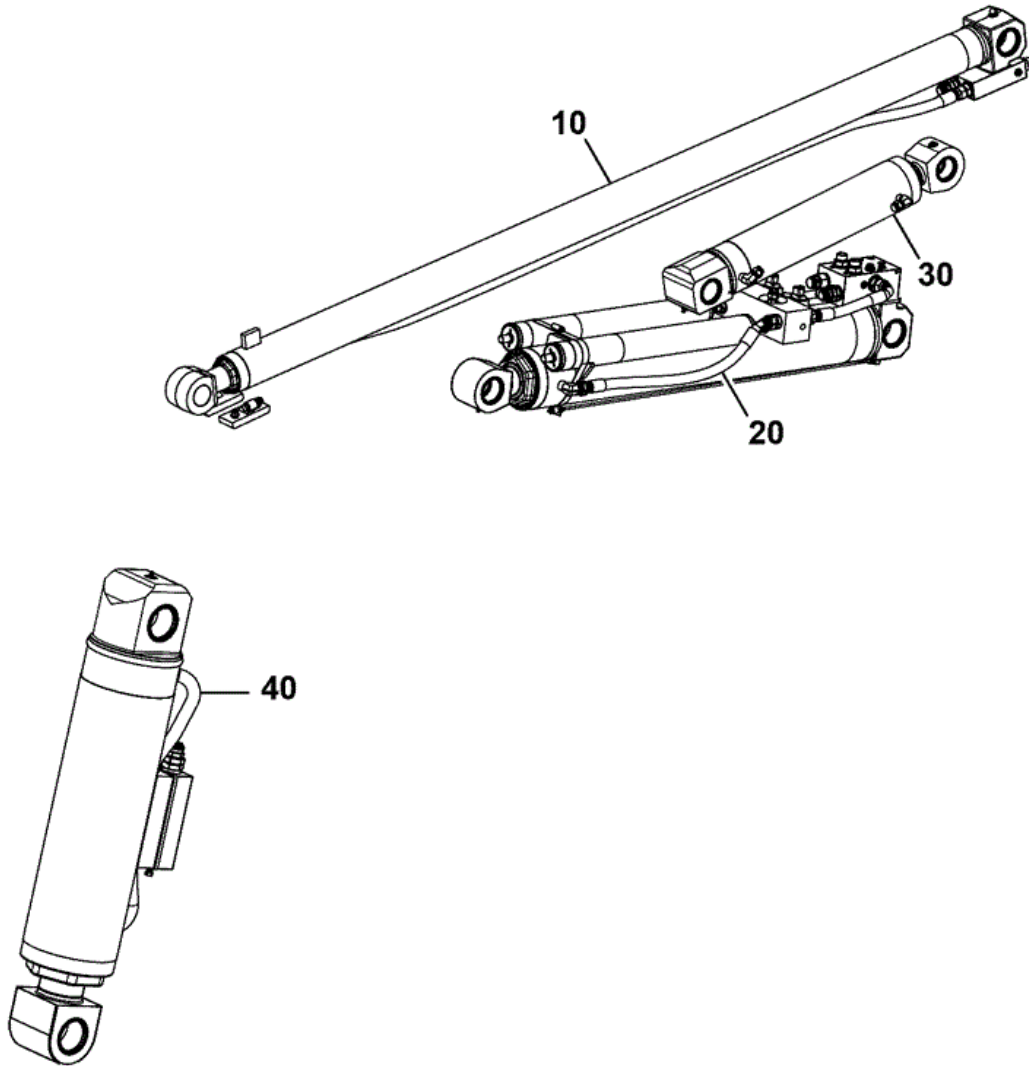
561-60292N-3

Item	Part #	Change No	Description	Usage Code	QTY
A	561/60292N		Ram Lift		1
1	332/F2987		End Cap Assembly 110x60		1
2	590/40799		Piston Rod 60x101		1

3	595/27704		Head Piston	1
4	826/01180		Dowel	1
5	2411/7920		Ring wear	2
6	2411/1139		Seal piston	1
7	561/70292		Cylinder	1
11	1450/0001		Nipple Grease, Straight 1/8 BSP	1
15	813/00426		Seal Pivot Pin 50X60X5	2
25	332/G1785		Plate Blanking	1
26	332/G9075		Gasket Blankings	1
42	816/90501		Cap	3
43	816/90500		Plug Blanking	3
45	1315/0305Z		Setscrew M8 x 20	4
46	1745/0003		Plug Blanking	2
47	1745/0001		Plug 7/16"UNF O ring boss	1
49	1620/2053		Adaptor 3/8BSPx3/4SAE	2
51	1620/2052		Adaptor 3/8BSP X 9/16	1
52	1620/2054		Adaptor 1/2BSP x 3/4 SAE	2



9812/7090 E4-10-0 RAM LOCATION SRS

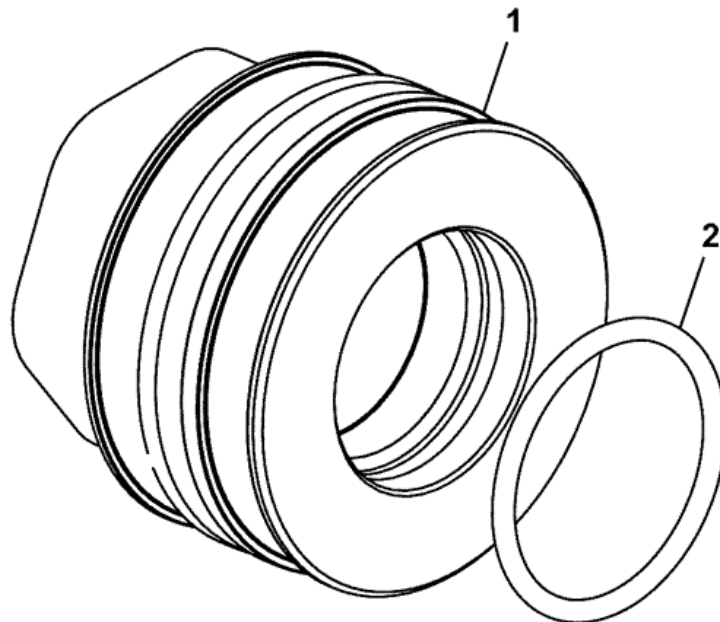


332-G0338-1

Item	Part #	Change No	Description	Usage Code	QTY
10	****		Ram Extension, Assembly		1
20	****		Ram Lift, Assembly		1
30	557/60231		Ram Displacement, Assembly		1



9812/7090 E4-10-1 PISTON HEAD LIFT RAM



595-27704-1

Item	Part #	Change No	Description	Usage Code	QTY
1	595/10043		Head piston		1
2	2302/0306		O Ring 60 x 5.0		1

Thank you so much for reading.
Please click the “Buy Now!”
button below to download the
complete manual.



After you pay.

You can download the most
perfect and complete manual in
the world immediately.

Our support email:

ebooklibonline@outlook.com