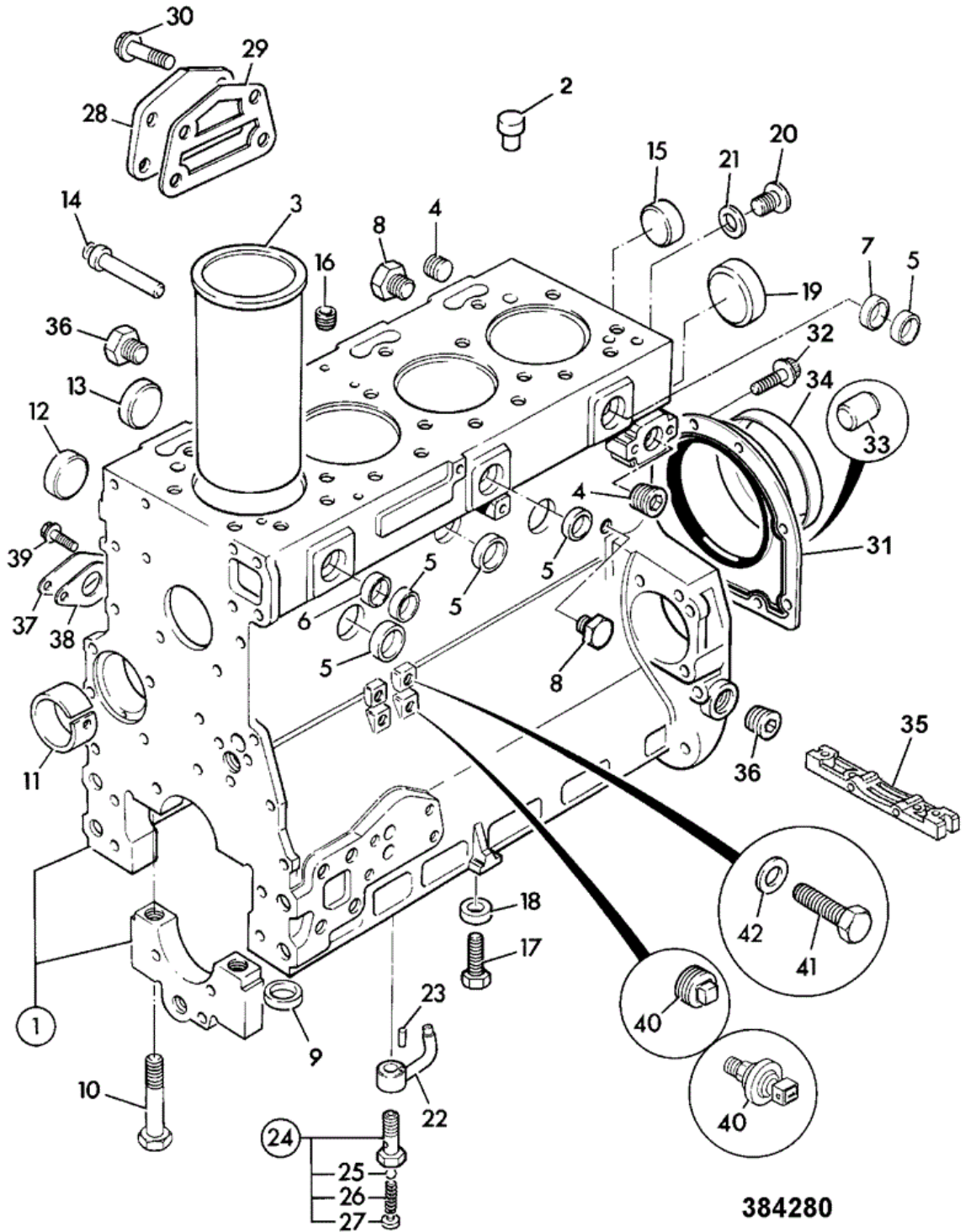




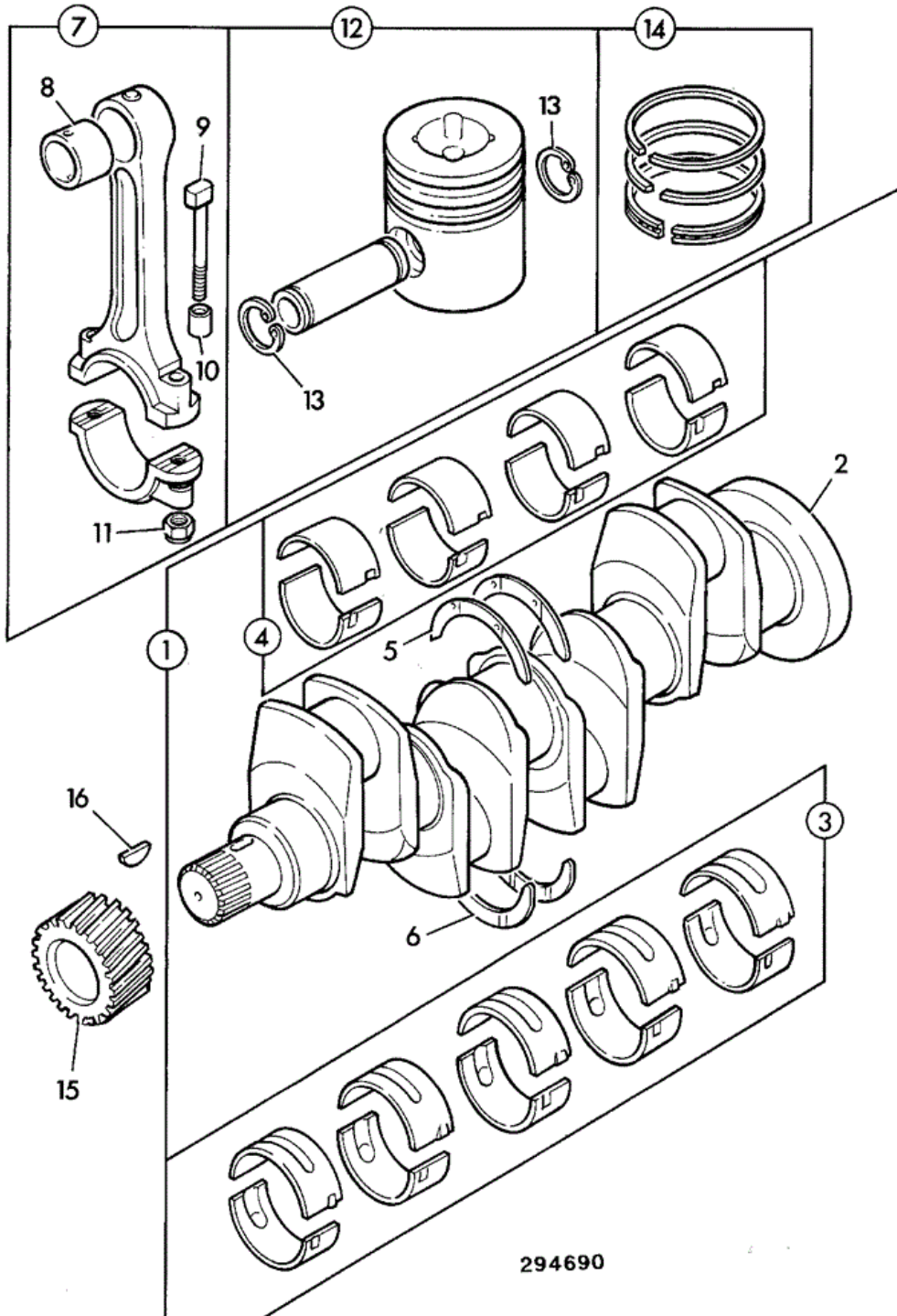
# 9802/7960 P1-3-2 BLOCK ASSEMBLY AM BUILD



Item	Part #	Change No	Description	Usage Code	QTY
1	02/201660		Block cylinder assembly		1
2	****		None serviced part <i>Block &amp; Bearing Caps</i>		1

3	:02/201141		Liner press-fit	4
3	02/201142		Liner slip-fit	0
4	:02/100134		Plug	2
5	:02/100396		Plug core D=32mm	6
6	:02/201304		Plug	1
7	:02/200003		Plug core" D=26mm	1
8	:02/100134		Plug	1
9	:02/100101		Thimble	10
10	:02/100102		Bolt	10
11	:02/192094		Bush camshaft	1
12	:02/200454		Plug core D=38mm	4
13	:02/201361		Plug core D=38mm	3
14	:02/101827		Plug	1
15	:02/200454		Plug core D=38mm	2
16	:02/100108		Plug	1
17	:02/101756		Plug	4
18	:823/00287		Washer spacer	4
19	:02/201362		Plug core D=50mm	1
20	:02/200827		Plug	1
21	:02/200828		Washer	1
22	:02/201734		Jet piston cooling	1
23	:02/201731		Pin roll	1
24	::02/101898		Valve	1
25	::02/200099		Ball	1
26	::02/200098		Spring	1
27	::02/200097		Retainer	1
28	:02/200826		Plate	1
29	:02/200484		Gasket	1
30	:02/291042		Bolt	4
31	:02/202370		Housing & rear oil seal assembly	1
32	:826/10721		Bolt torx head drive	10
33	02/100308		Dowel	2
34	02/202422		Sleeve speedy	1
35	02/202369		Piece bridge	1
36	02/100132		Plug drain	1
37	02/200004		Plate	1
38	02/200475		Gasket	1
39	02/291031		Bolt	2
40	701/80225	<M786019	Switch oil pressure 1/8" NPTF,AMP	1
40	701/80327		Switch Engine Oil Pressure	1
41	1315/0402Z		Setscrew	1
42	823/00273		Washer	1

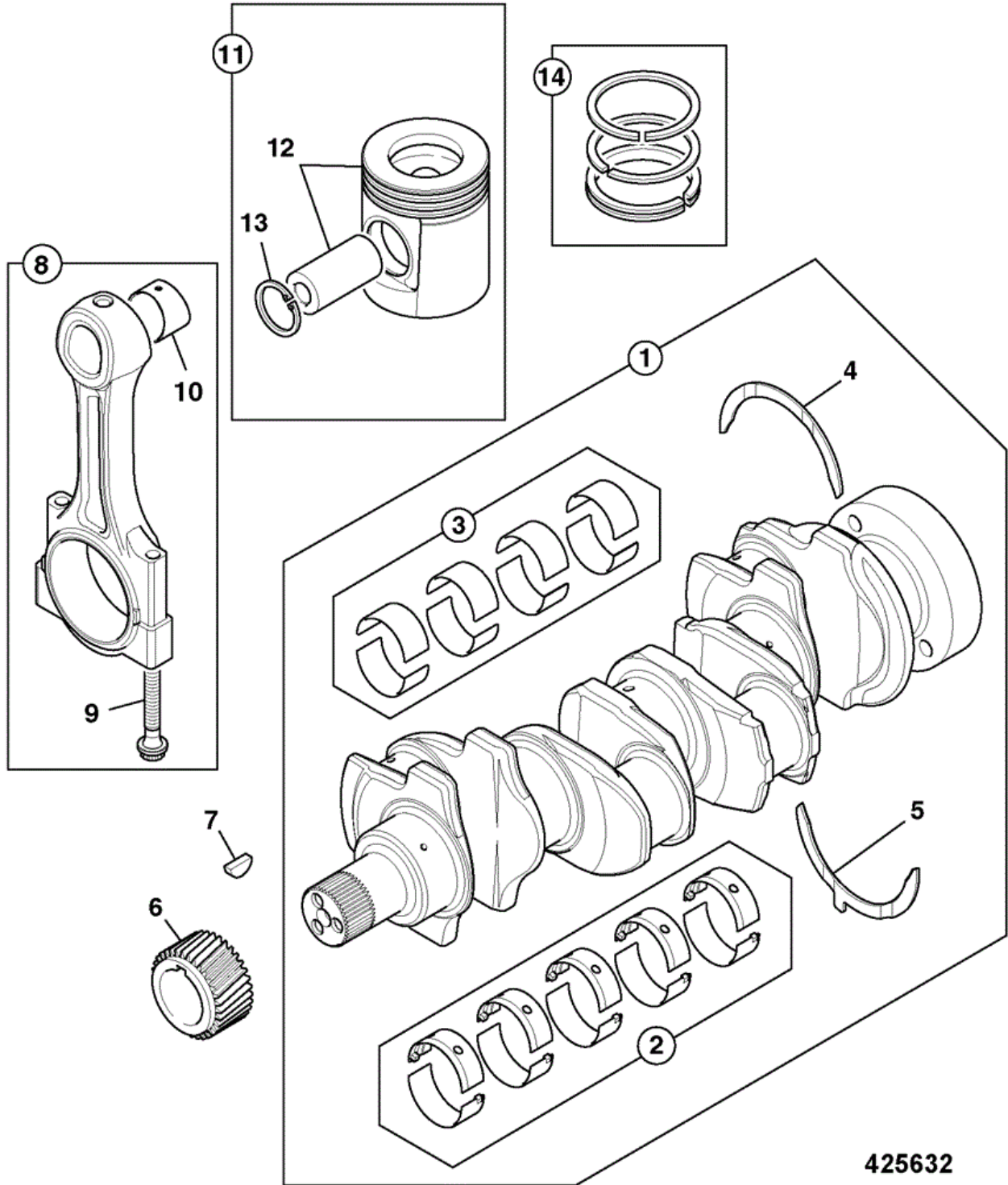
**JCB** 9802/7960 P1-4-1 CRANKSHAFT, BEARINGS PISTONS & CON-RODS AM BUILDS



Item	Part #	Change No	Description	Usage Code	QTY
1	02/200915		Crankshaft assembly		1

2	****	None serviced part <i>Crankshaft</i>	1
3	:02/192002	Kit-bearing Main Standard	1
3	02/192003	Kit-bearing Main Undersize - .010inch	1
3	02/192004	Kit-bearing Main Undersize - .020inch	1
3	02/192005	Kit-bearing Main Undersize - .030inch	1
4	:02/192085	Kit-bearing 4 Pairs Standard	1
4	02/192086	Kit-bearing 4 Pairs Undersize - .010inch	1
4	02/192087	Kit-bearing 4 Pairs Undersize - 0.20inch	1
4	02/192088	Kit-bearing 4 Pairs Undersize - 0.30inch	1
5	:02/192083	Washer thrust top - standard	2
5	02/192011	Washer thrust top-oversize 0.19mm	2
6	:02/192084	Washer thrust bottom - standard	2
6	02/192013	Washer thrust btm-oversize 0.19mm	2
7	02/201972	Rod connecting grade 'H'	0
7	02/201973	Rod connecting grade 'J' <i>See Note 1</i>	0
7	02/201974	Rod connecting grade 'K' <i>See Note 1</i>	0
7	02/201975	Rod connecting grade 'L' <i>See Note 1</i>	0
8	:02/192095	Bush small end	1
9	:02/291072	Bolt	2
10	:02/201808	Thimble	2
11	:02/100128	Nut	2
12	:02/201505	Piston assembly	4
13	:02/201151	Circlip	2
14	02/201504	Kit-piston ring	4
15	02/290001	Gear <i>Gudgeon pin</i>	1
16	02/100038	Key	1

**JCB** 9802/7960 P1-4-2 CRANKSHAFT, BEARINGS PISTONS & CON-RODS AM BUILDS

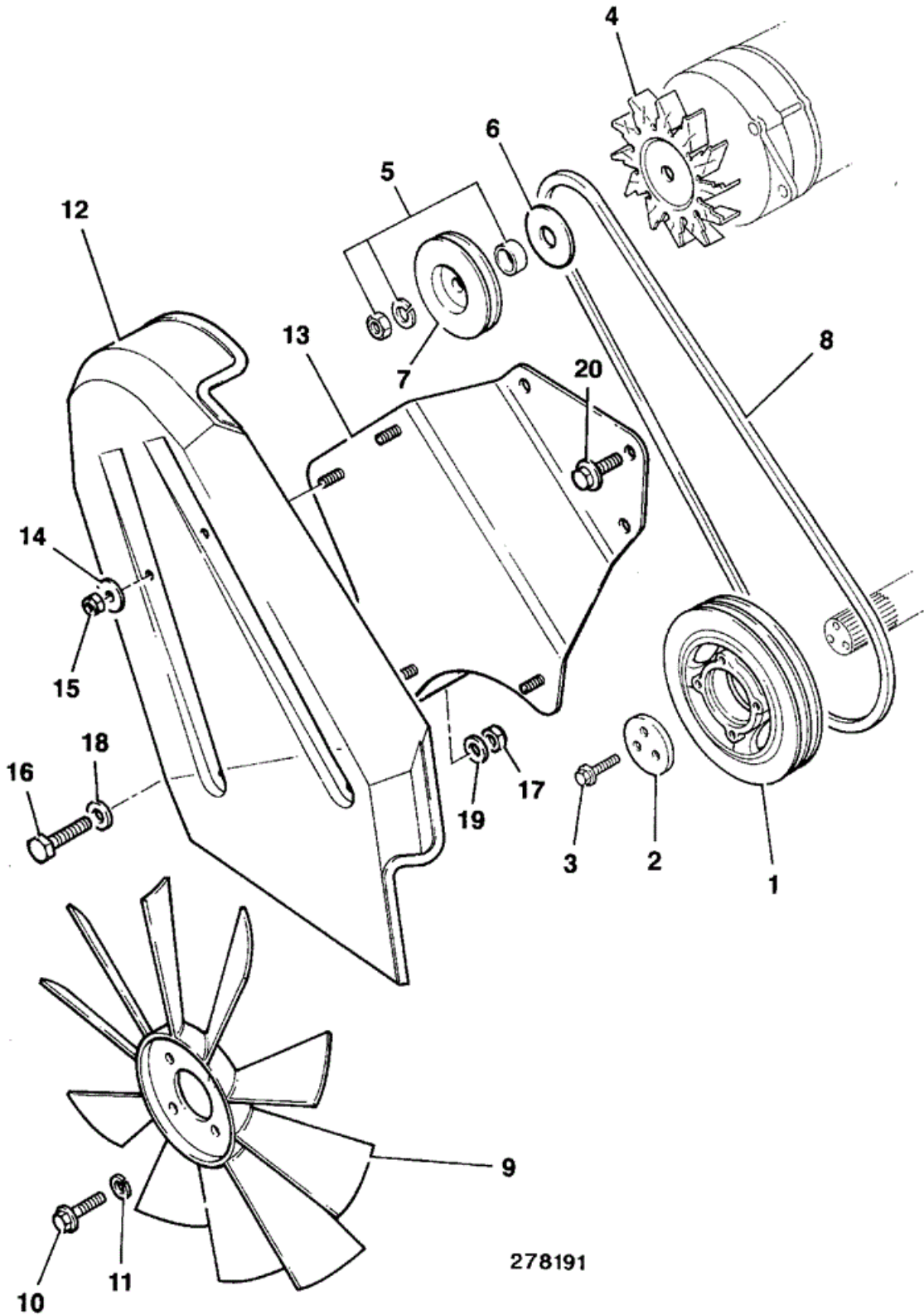


Item	Part #	Change No	Description	Usage Code	QTY
1	02/202527		Crankshaft assembly		1

2	:02/192002	Kit-bearing Main Standard	1
2	02/192003	Kit-bearing Main Undersize - .010inch	0
2	02/192004	Kit-bearing Main Undersize - .020inch	0
2	02/192005	Kit-bearing Main Undersize - .030inch	0
3	:02/202915	Kit-big end bearing standard	1
3	02/202916	Kit-big end bearing oversize - (+)0.010"	0
3	02/202917	Kit-big end bearing u/s 0.50mm	0
3	02/202918	Kit-big end bearing oversize - (+)0.030"	1
4	:02/192083	Washer thrust top - standard	2
4	02/192011	Washer thrust top-oversize 0.19mm	0
5	:02/192084	Washer thrust bottom - standard	2
5	02/192013	Washer thrust btm-oversize 0.19mm	0
6	02/290001	Gear	1
7	02/100038	Key	1
8	02/202922	Kit-conrod grade 'F' RED	4
8	02/202923	Kit-conrod grade 'G' ORANGE	0
8	02/202924	Kit-conrod grade 'H' WHITE	0
8	02/202925	Kit-conrod grade 'J' GREEN	0
8	02/202926	Kit-conrod grade 'K' PURPLE	0
8	02/202927	Kit-conrod grade 'L' BLUE	0
9	:02/202929	Bolt conrod	2
10	:02/202928	Bush small end	1
11	02/201505	Piston assembly	4
12	****	None serviced part	1
13	:02/201151	Circlip	2
14	02/201504	Kit-piston ring	1



# 9802/7960 P1-5-1 FANS, PULLEYS & FAN BELT



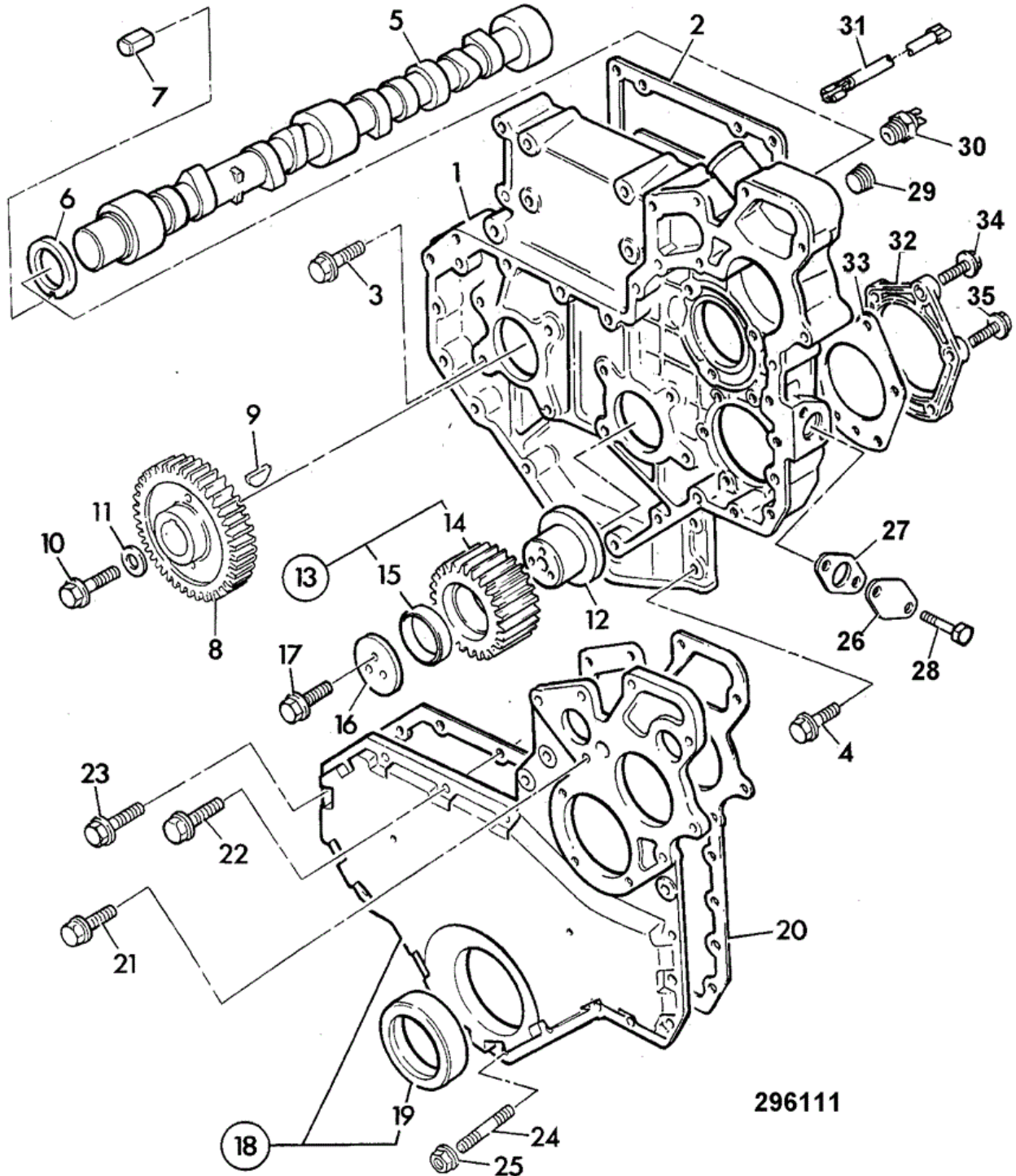
278191

Item	Part #	Change No	Description	Usage Code	QTY
1	02/200018		Pulley crankshaft twin groove		1
2	02/200017		Block Thrust		1
3	02/100579		Screw		3
4	714/10812		Fan alternator		1
5	714/20405		Kit-sundry parts		1
6	714/16711		Washer fan support <i>Sealed Alternator option only</i>		1
7	02/200212		Pulley alternator D=86mm single groove <i>65AMP ALTERNATOR ONLY</i>		1
7	02/201346		Pulley alternator D=73mm single groove <i>85AMP ALTERNATOR ONLY</i>		1
8	02/201910		Belt fan, pair		1
9	262/74600	<M784943	Fan cooling, 22" puller 10 blade		1
9	30/925525		Fan 22"(558mm) cooling 9 blade <i>See Note 1</i>		1
9A	331/52882		Plate fan hub spreader		1
10	1305/0105Z		Bolt		4
11	1416/0005Z		Washer spring - 5/16" Zinc plated		4
12	162/03237		Cover pulley		1
13	161/00856		Bracket mounting pulley cover		1
14	1411/0001Z		Washer (1/4" Medium)		4
15	1370/0103Z		Nut Self Lock M6		4
16	1315/3716Z		Bolt M16 x 70mm		1
17	1370/0603Z		Nut lock M16		1
18	1412/0007Z		Washer		1
19	1410/0007Z		Washer (5/8" Small)		1

*Note 1: When replacing this Fan, Spreader item number 9A must also be fitted.*



**JCB** 9802/7960 P1-6-1 TIMING CASE CAMSHAFT & GEARS AM BUILD

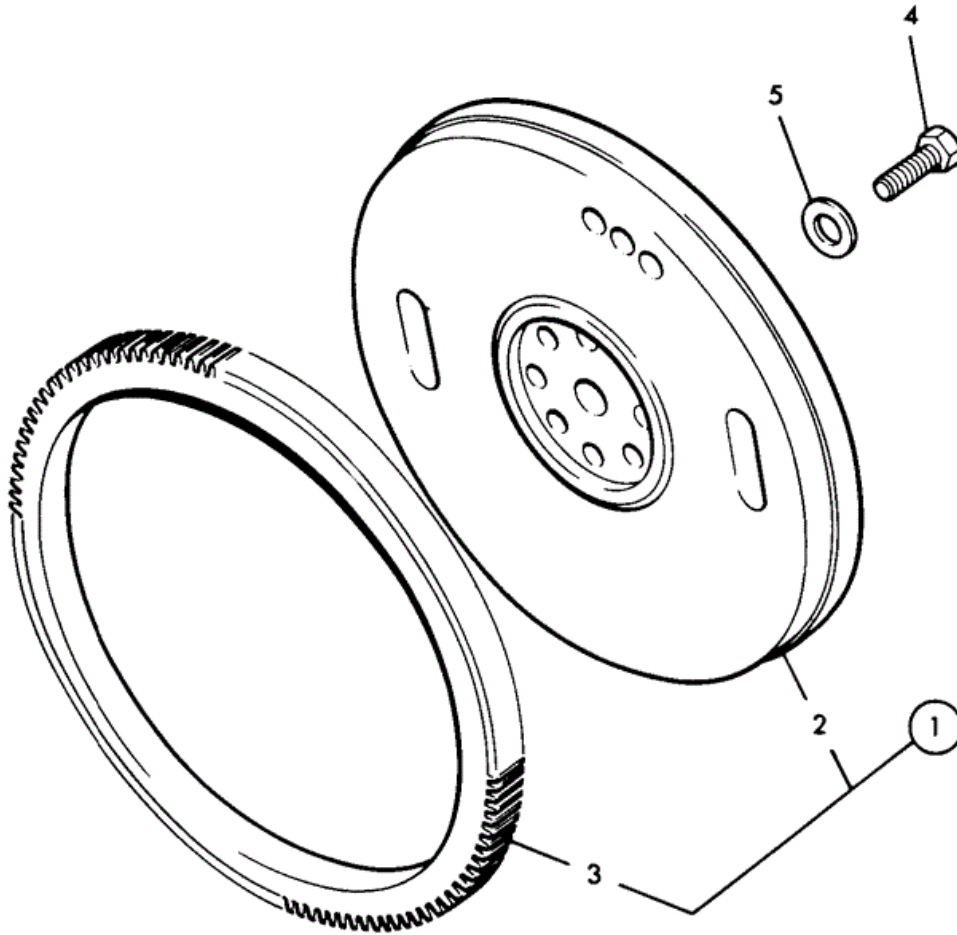


Item	Part #	Change No	Description	Usage Code	QTY
1	02/202237		Case timing single pto		1
2	02/200872		Gasket t/case to block		1

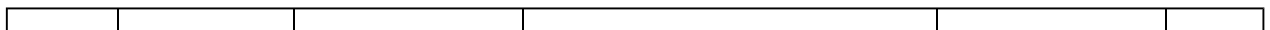
3	826/00869		Screw flange head	8
4	02/291033		Bolt	4
5	02/201668		Camshaft	1
6	02/192046		Washer thrust	1
7	2102/0604		Dowel	1
8	02/190034		Gear camshaft	1
9	02/100038		Key	1
10	02/291196		Screw	1
11	02/291065		Washer	1
12	02/100041		Hub	1
13	02/190033		Gear idler assembly	1
14	:N.S.P.		None serviced part <i>Gear</i>	1
15	:02/192016		Bush	2
16	02/201288		Plate	1
17	02/291073		Screw	3
18	02/201198		Cover Cover, timing	1
19	:02/101435		Seal front oil	1
20	02/201721		Gasket timing cover	1
21	02/291026		Bolt	6
22	02/291018		Bolt	6
23	02/291017		Screw	1
24	02/291051		Stud	2
25	02/291058		Nut flanged M8	2
26	02/200313		Plate blanking	1
27	02/201255		Gasket	1
28	826/00869		Screw flange head	2
29	02/100095		Plug taper	1
30	701/60014		Sender cold start	1
31	721/00447		Lead waxtat cold start	1
32	02/201556		Plate cover	1
33	02/200035		Gasket	1
34	02/291220		Screw	5
35	826/00901		Screw	1



# 9802/7960 P1-7-1 FLYWHEEL & HOUSING



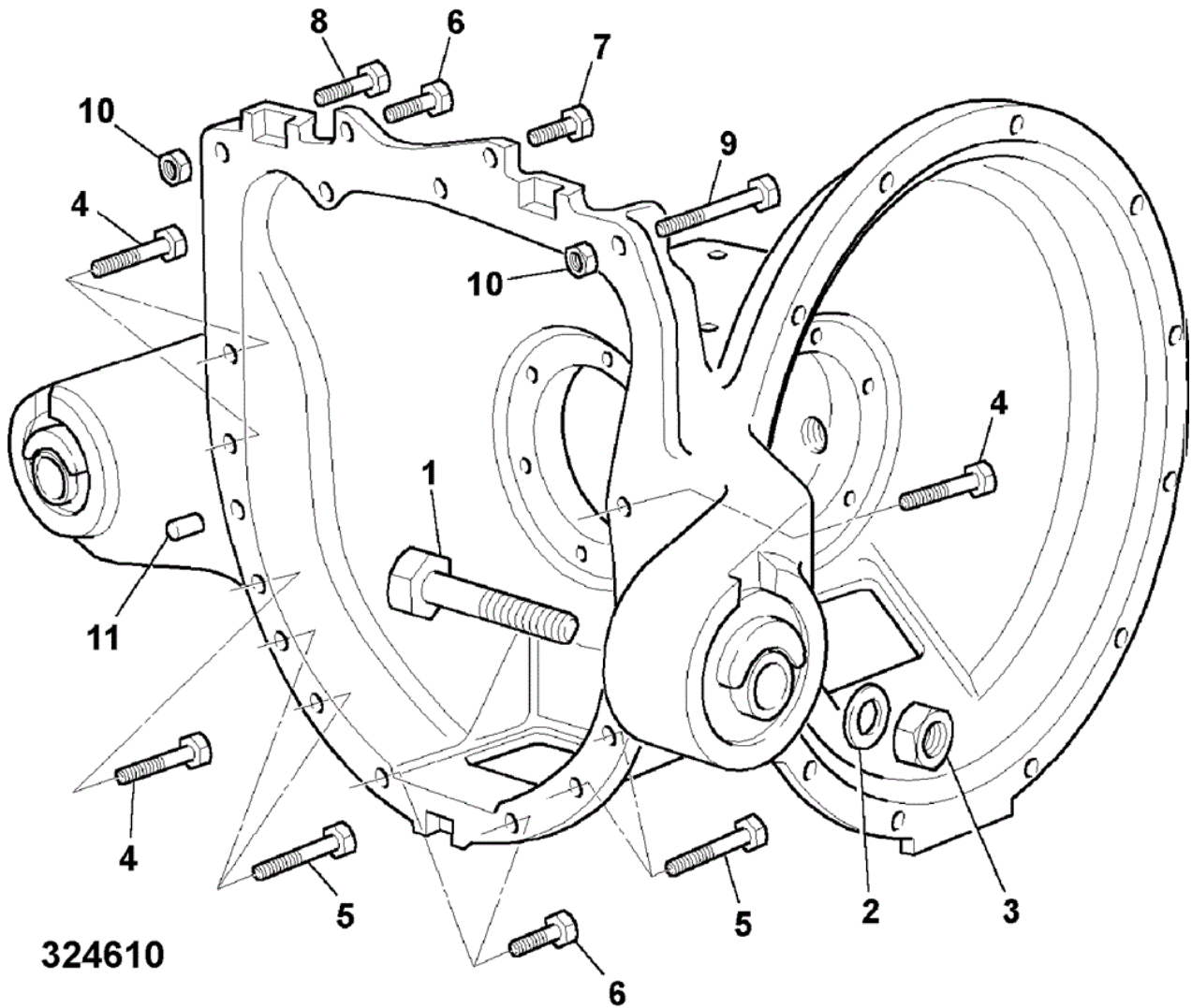
105250



<b>Item</b>	<b>Part #</b>	<b>Change No</b>	<b>Description</b>	<b>Usage Code</b>	<b>QTY</b>
1	02/201408		Flywheel assembly		1
2	****		None serviced part		1
3	:02/100078		Gear starter ring		1
4	1305/0409		Bolt 1/2UNF		6
5	02/200725		Washer		6



## 9802/7960 P1-8-1 ENGINE MOUNTING BOLTS

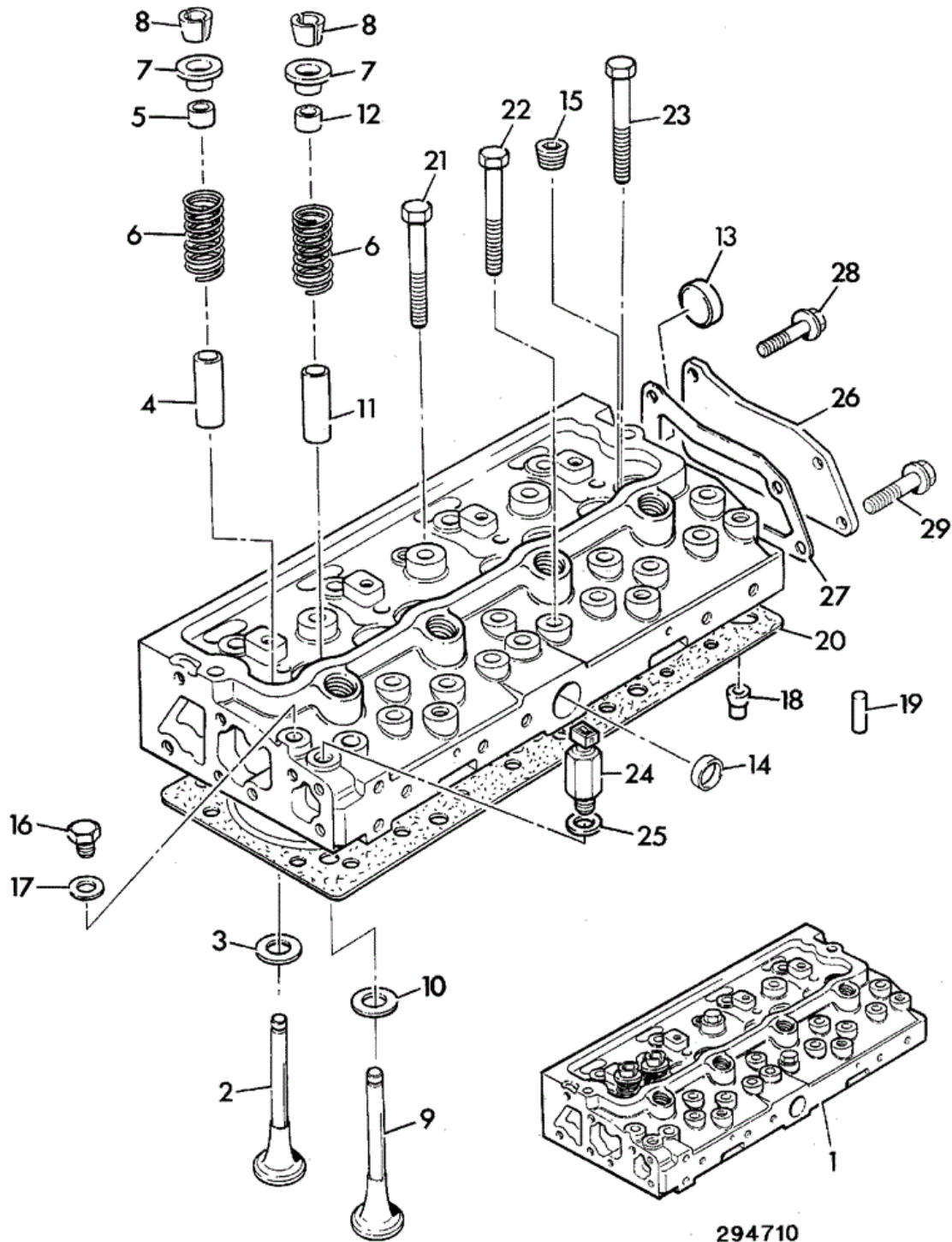


**324610**

Item	Part #	Change No	Description	Usage Code	QTY
1	1315/4023Z		Bolt M24 X 130		3
2	1420/0014Z		Washer M24		3
3	1370/0901Z		Nut (M24)		3
4	1315/3514Z		Bolt M12 x 60mm		5
5	1315/3516Z		Bolt M12 x 70mm		4
6	1315/0511Z		Bolt M12 x 45mm		3
7	1315/0509Z		Setscrew M12 x 35mm		1
8	1315/3512Z		Bolt M12 x 50mm		1
9	1315/3520Z		Bolt M12 x 100mm		1
10	1370/0403Z		Nut Lock, M12		2
11	02/101370		Dowel		2



# 9802/7960 P2-1-1 CYLINDER HEAD AM BUILD



Item	Part #	Change No	Description	Usage Code	QTY
1	02/202065		Head cylinder assembly		1
2	:02/201599		Valve inlet		4
3	:02/201864		Insert inlet valve		4

Thank you so much for reading.  
Please click the “Buy Now!”  
button below to download the  
complete manual.



After you pay.

You can download the most  
perfect and complete manual in  
the world immediately.

Our support email:

[ebooklibonline@outlook.com](mailto:ebooklibonline@outlook.com)