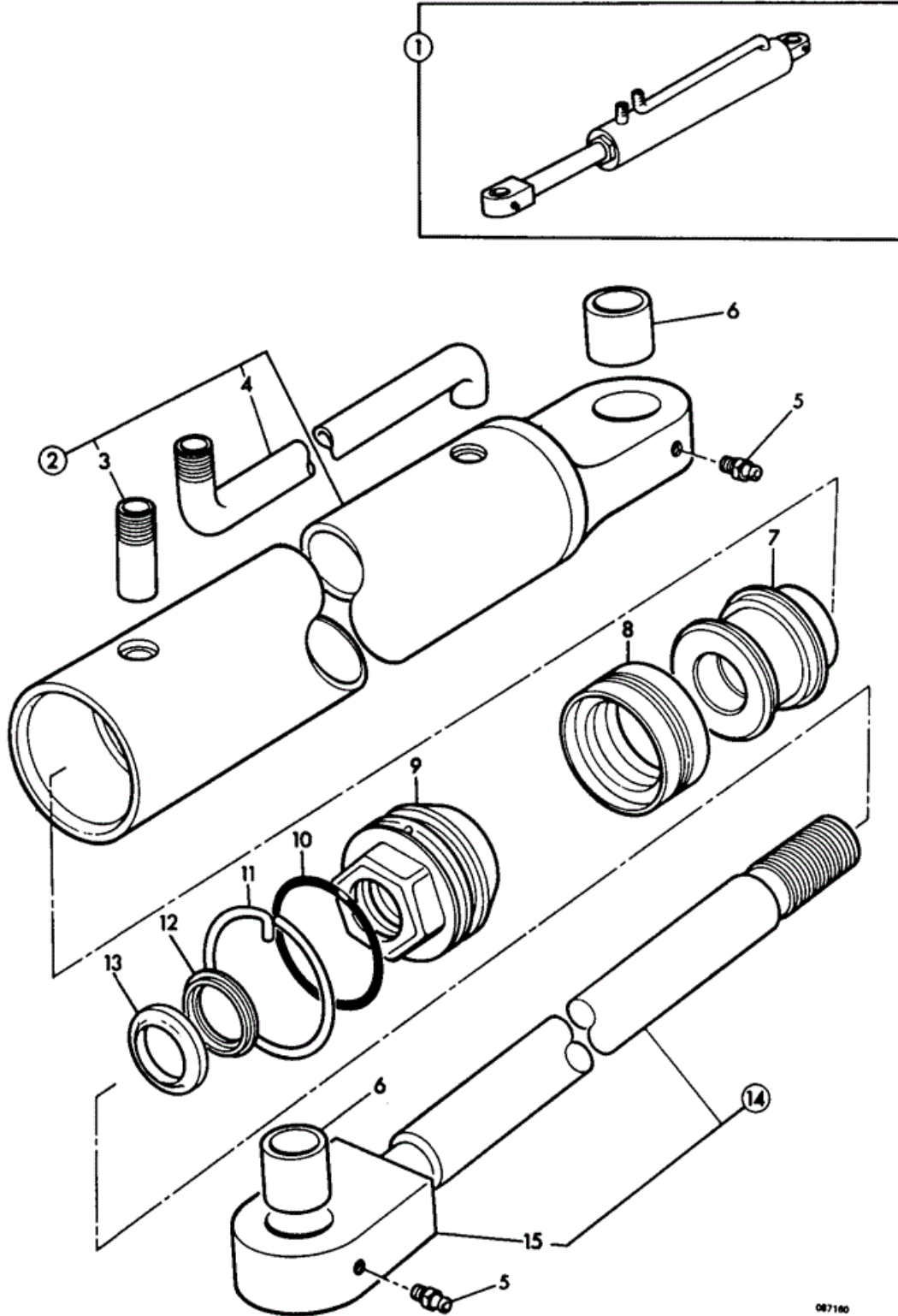




9802/7500 H1-7-2 RAM, STEERING, 2WD

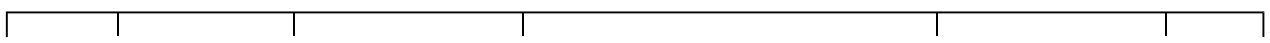
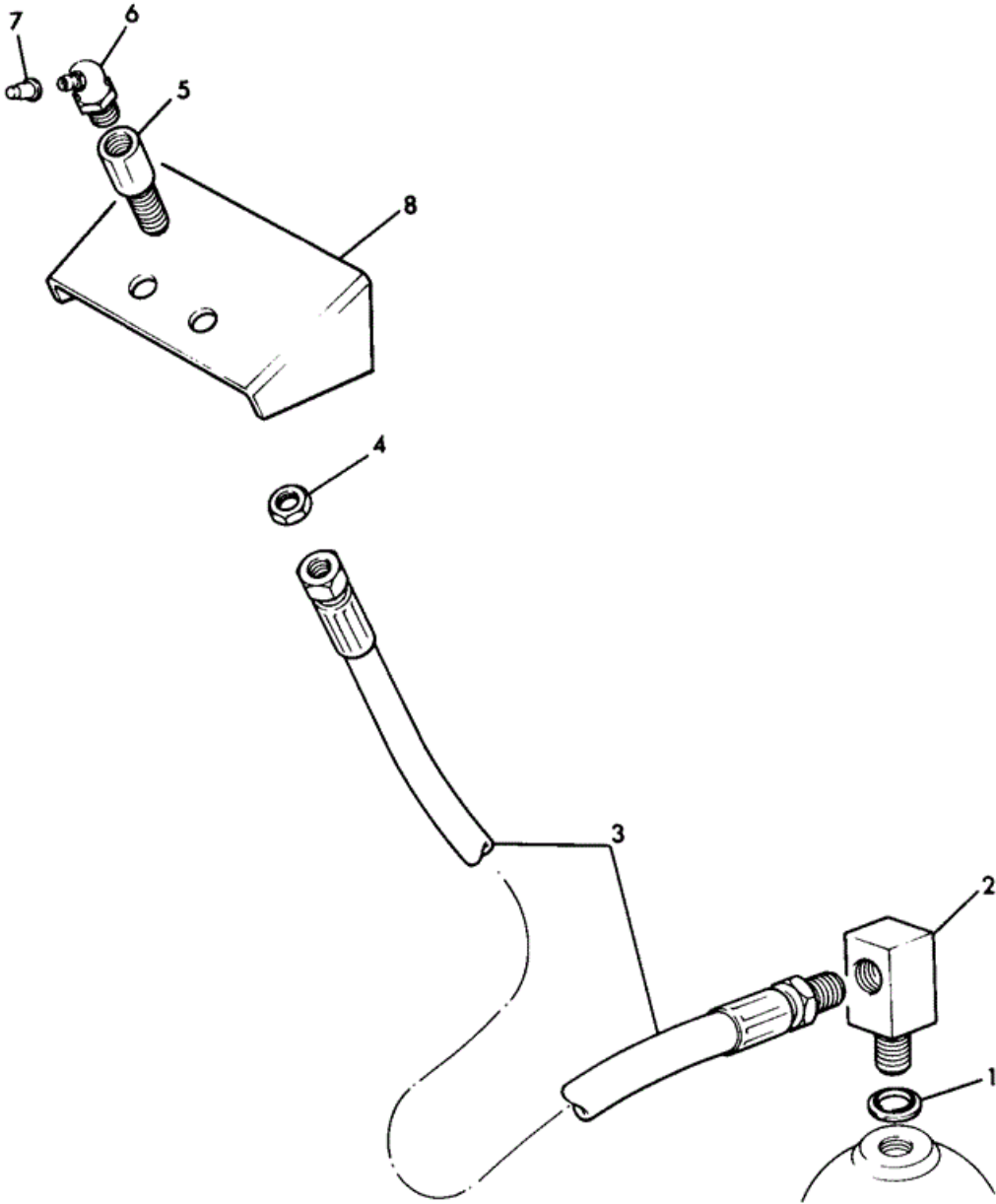


087160

Item	Part #	Change No	Description	Usage Code	QTY
1	551/02600		Ram Steer		2
2	:551/02700		Cylinder		1
3	::552/08100		Pipe rod side		1
4	::655/00260	Superseded	Pipe piston side		1
4	::551/02500		Pipe piston side		1
5	:816/60056		Nipple Grease		2
6	:808/00237		Bush 38mm long 30mm OD X 25mm ID		2
7	:551/00101		Head piston		1
8	:813/00290		Seal piston		1
9	:551/00103		Gland bearing		1
10	:2400/0303		O Ring		1
11	:551/00102		Wire retaining		1
12	:813/00284		Seal gland		1
13	:813/00285		Seal wiper		1
14	:590/00900		Rod Piston		1



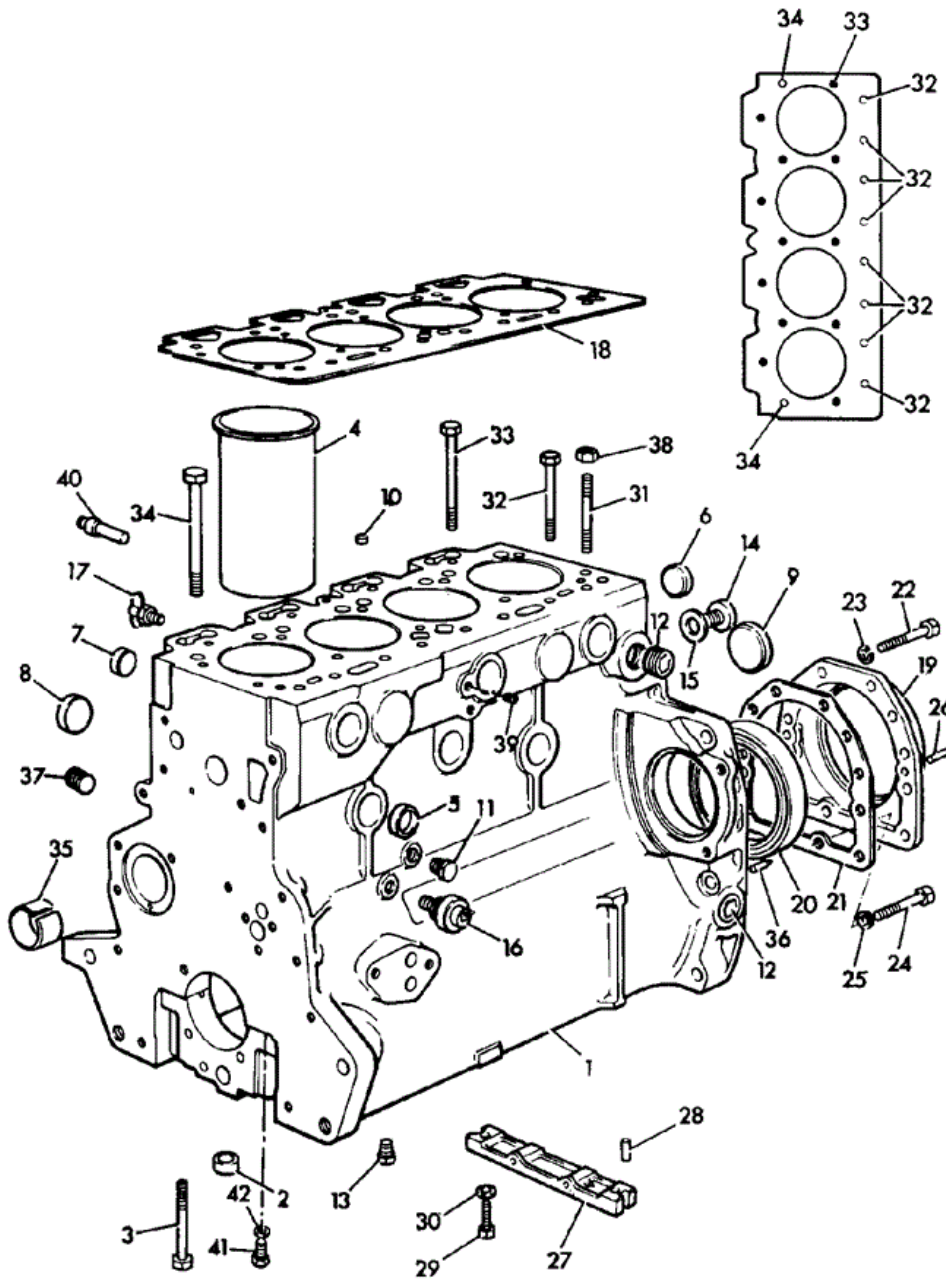
9802/7500 H2-6-1 REMOTE GREASING STEER RAMS



Item	Part #	Change No	Description	Usage Code	QTY
1	1403/0001		Washer Aluminium		2
2	816/00420		Adapter 90 deg.		2
3	629/03000		Hose grease		2
4	1356/0001		Nut		2
5	816/25038		Adapter		2
6	1450/1007		Nipple Grease		2
7	835/00017		Cap Grease Nipple		2
8	156/37408		Bracket		1



9802/7500 L1-1-1 BLOCK ASSEMBLY IMPERIAL LD BUILD



064543

Item	Part #	Change No	Description	Usage Code	QTY
1	02/101583	<EUO27630M	Block assembly, cylinder <i>Includes items 2.3.4.5.6.7 & 35. See Note 1</i>		1

1A	02/101821	Superseded	Block assembly Cylinder <i>Includes items 2.3.4.5.6.7.35 & 40</i>		1
1A	M.S.S	<EU106654N	Multi Supersession <i>Refer to Service Workshop Manual See Note 2</i>		1
1B	02/101944	>EU106655N	Block assembly cylinder <i>Also READ item 8 footnote on frame L1-3-1 See Note 3</i>		1
2	:02/100101		Thimble		10
3	:02/100102		Bolt		10
4	:02/100103	<EU106654N	Liner Press fit <i>With flame ring See Note 4</i>		4
4	02/102038	<EU106654N	Liner oversize - 0.010" 0.25mm <i>See Note 4, With flame ring See Note 5</i>		0
4	:02/101758	>EU106655N	Liner Press fit <i>See Note 4 Without flame ring</i>		4
4	02/100206	<EU106654N	Liner Slip fit <i>With flame ring</i>		0
4	02/101773	>EU106655N	Liner Slip fit <i>Without flame ring</i>		0
5	:02/100105	Superseded	Plug core D=32mm		6
5	:02/100396		Plug core D=32mm		6
6	:02/100105	Superseded	Plug core D=32mm		2
6	:02/100396		Plug core D=32mm		2
7	:02/100106		Plug core D=35mm		4
8	:02/100110		Plug core D=38mm		4
9	02/100107		Plug core D=50mm		1
10	02/100108		Plug		1
11	02/100132		Plug drain <i>Water Drain</i>		1
11	02/100335		Tap drain <i>Alternative</i>		0
12	02/100134		Plug		3
13	02/100133		Plug		1
14	02/100111		Plug		1
15	823/00276		Washer		1
16	701/06500		Switch oil pressure		1
17	02/100132		Plug drain		1
17	02/100335		Tap drain <i>Alternative</i>		1
18	02/100117	<EU106654N	Gasket cylinder head		1
18	02/101879	Superseded	Gasket cylinder head <i>Used only with item 1B</i>		1
18	02/102037		Gasket cylinder head		1
19	02/101704	Superseded	Housing rear seal		1
19	02/200223	Superseded	Housing rear seal		1
19	02/200523		Housing rear seal		1
20	02/101436		Seal rear oil		1
21	02/100113		Gasket rear seal housing		1
22	1305/0106Z		Bolt 5/16"UNF x 1" long		10
23	1410/0002Z		Washer (5/16" Small)		10
24	1381/3106		Capscrew		2
25	02/100307		Washer		2

26	02/100308		Dowel		2
27	02/100104	Superseded	Bridge piece <i>Used with 2 off 02/100327</i>		1
27	M.S.S		Multi Supersession <i>Part N.L.A use 27A with 2 off 02/101791</i>		1
27A	02/101790	Superseded	Bridge piece		1
27A	M.S.S		Multi Supersession <i>Part N.L.A use 27B with 2 off 1305/0104Z</i>		1
27B	02/102034		Bridge piece		1
28	02/100112		Seal <i>Used only with items 27 & 27A</i>		2
28	****		'See Remark' <i>Sealant, Used only with item 27B</i> <i>See Note 6</i>		1
29	826/00759		Bolt		2
30	02/100309		Washer		2
32	02/100016	<EU027630M	Bolt 89mm		8
32A	02/101762		Bolt 103mm		8
33	02/100017	<EU027630M	Bolt 105mm		12
33A	02/101761		Bolt 119mm		12
34	02/100310	<EU027630M	Bolt 125mm		2
34A	02/101760		Bolt 140mm		2
35	02/192001		Bush camshaft		1
36	02/100136		Pointer Timing		1
37	02/100138		Plug		1
39	02/101810		Plug		1
40	:02/101827	>EU027631M	Plug		1

Note 1: Old type standard Block, uses cylinder liners with flame ring.

Note 2: Part N.L.A use 02/101944 with 1 off 2102/0604, 02/192076, 02/102037 & 3 off 02/101905.

Note 3: New type Block (enlarged bore) uses liners without flame ring

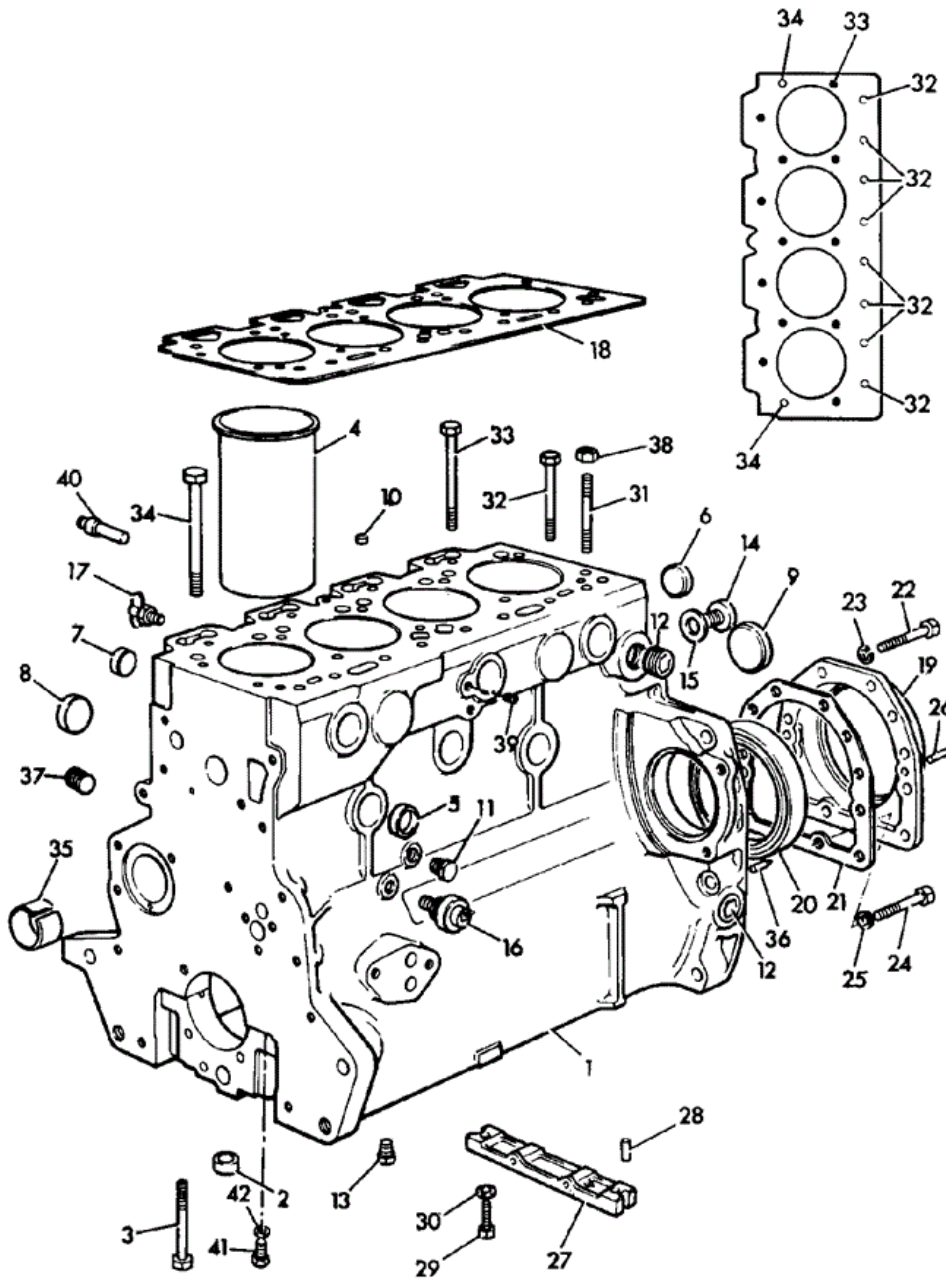
Note 4: Special tools for fitting, boring and honing required, General service use slip-fit type.

Note 5: Used only with Block assembly 02/101821.

Note 6: Refer to Service Workshop Manual



9802/7500 L1-1-3 BLOCK ASSEMBLY IMPERIAL LJ BUILD



064543

Item	Part #	Change No	Description	Usage Code	QTY
1	02/101661	<EU027773M	Block assembly Cylinder <i>Includes items 2.3.4.5.6.7 & 35</i> <i>See Note 1</i>		1

1A	02/101800	Superseded	Block cylinder assembly <i>Includes items 2.3.4.5.6.7.35 & 40</i>		1
1A	M.S.S		Multi Supersession <i>Refer to Service Workshop Manual. See Note 2</i>		1
1B	02/101945	>EU083372N	Block assembly Cylinder <i>Also READ item 7 footnote on frame L1-3-2 See Note 3</i>		1
2	:02/100101		Thimble		10
3	:02/100102		Bolt		10
4	:02/100103	<EU083371N	Liner Press fit <i>With flame ring See Note 4</i>		4
4	02/102038	<EU083371N	Liner oversize - 0.010" 0.25mm <i>See Note 4 With flame ring See Note 5</i>		1
4	:02/101758	>EU083372N	Liner Press fit <i>See Note 4 Without flame ring</i>		4
4	02/100206	<EU083371N	Liner Slip fit <i>With flame ring</i>		0
4	02/101773	>EU083372N	Liner Slip fit <i>Without flame ring</i>		0
5	:02/100105	Superseded	Plug core D=32mm		6
5	:02/100396		Plug core D=32mm		6
6	:02/100105	Superseded	Plug core D=32mm		2
6	:02/100396		Plug core D=32mm		2
7	:02/100106		Plug core D=35mm		4
8	02/100110		Plug core D=38mm		4
9	02/100107		Plug core D=50mm		1
10	02/100108		Plug		1
11	02/100132		Plug drain <i>Water-Drain</i>		1
11	02/100335		Tap drain <i>Alternative</i>		0
12	02/100134		Plug		3
13	02/100133		Plug		1
14	02/100111		Plug		1
15	823/00276		Washer		1
16	02/100123		Switch oil pressure		1
17	02/100132		Plug drain <i>Water-Drain</i>		1
17	02/100335		Tap drain		0
18	02/100117	<EU027773M	Gasket cylinder head		1
18	02/101824	Superseded	Gasket cylinder head		1
18	02/101994	Superseded	Gasket cylinder head		1
18	02/102044		Gasket cylinder head		1
19	02/101704	Superseded	Housing rear seal		1
19	02/200223	Superseded	Housing rear seal		1
19	02/200523		Housing rear seal		1
20	02/101436		Seal rear oil		1
21	02/100113		Gasket rear seal housing		1
22	1305/0106Z		Bolt 5/16"UNF x 1" long		10
23	1410/0002Z		Washer (5/16" Small)		10
24	1381/3106		Capscrew		2
25	02/100307		Washer		2

26	02/100308		Dowel		2
27	02/100104	Superseded	Bridge piece <i>Used with 2 off 02/100327</i>		1
27	M.S.S		Multi Supersession <i>Part N.L.A use 27A with 2 off 02/101791</i>		1
27A	02/101790		Bridge piece		1
27A	M.S.S		Multi Supersession <i>Part N.L.A use 27B with 2 off 1305/0104Z</i>		1
27B	02/102034		Bridge piece		1
28	02/100112		Seal <i>Used only with items 27 & 27A</i>		2
28	****		'See Remark' <i>Sealant, Used only with item 27B</i> <i>See Note 6</i>		1
29	826/00759		Bolt		2
30	02/100309		Washer		2
32	02/100120	<EU027773M	Bolt cylinder head check engine for quantities either 10 or 12 bolts		8
32A	02/101762		Bolt 103mm		8
33	02/100121	<EU027773M	Bolt cylinder head		12
33A	02/101761		Bolt 119mm		12
34	02/100122	<EU027773M	Bolt cylinder head		2
34A	02/101760		Bolt 140mm		2
35	02/192001		Bush camshaft		1
36	02/100136		Pointer Timing		1
37	02/100138		Plug		1
39	02/101810		Plug		1
40	02/101827	>EU027774M	Plug		1

Note 1: Old type standard Block, uses cylinder liners with flame ring.

Note 2: Part N.L.A use 02/101945 with 1 off 2102/0604,02/192076,02/102044 and 3 off 02/101905.

Note 3: New type block (enlarged bore) uses liners without flame ring, Refer to Service Manual.

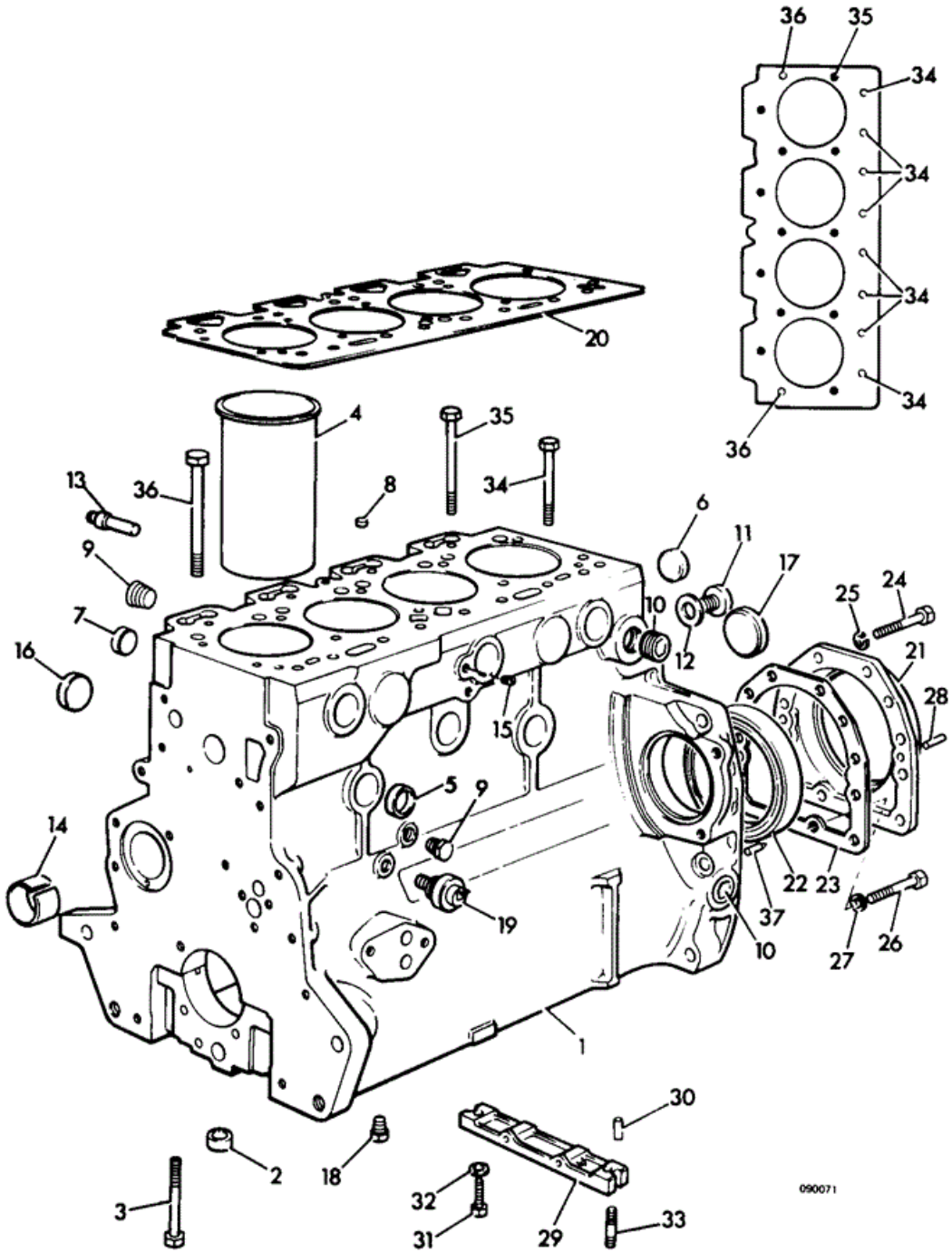
Note 4: Special tools for fitting, boring and honing required, General service use slip-fit type.

Note 5: Used only with Block assembly 02/101800.

Note 6: Refer to Service Workshop Manual



9802/7500 L1-1-4 BLOCK ASSEMBLY METRIC LD BUILD



090071

Item	Part #	Change No	Description	Usage Code	QTY
1	02/101881		Block assembly, cylinder <i>Includes items 2.3.4.5.6.7.8.10.13 & 14.</i>		1
2	:02/100101		Thimble		10
3	:02/100102		Bolt		10
4	:02/101758		Liner Press fit <i>See Note 1</i>		4
4	:02/101773		Liner Slip fit		4
5	:02/100105	Superseded	Plug core D=32mm		6
5	:02/100396		Plug core D=32mm		6
6	:02/100105	Superseded	Plug core D=32mm		2
6	:02/100396		Plug core D=32mm		2
7	:02/100106		Plug core D=35mm		4
8	:02/100108		Plug		1
9	02/100132		Plug drain <i>Water Drain</i>		2
9	02/100335		Tap drain <i>Alternative</i>		0
10	:02/100134		Plug		3
11	02/100111		Plug		1
12	823/00276		Washer		1
13	:02/101827		Plug		1
14	:02/192001		Bush camshaft		1
15	02/101810		Plug		1
16	02/100110		Plug core D=38mm		4
17	02/100107		Plug core D=50mm		1
18	02/100133		Plug		1
19	701/06500		Switch oil pressure		1
20	02/101879	Superseded	Gasket cylinder head		1
20	02/102037		Gasket cylinder head		1
21	02/101704	Superseded	Housing rear seal		1
21	02/200223	Superseded	Housing rear seal		1
21	02/200523		Housing rear seal		1
22	02/101436		Seal rear oil		1
23	02/100113		Gasket rear seal housing		1
24	1305/0106Z		Bolt 5/16"UNF x 1" long		10
25	1410/0002Z		Washer (5/16" Small)		10
26	1381/3106		Capscrew		2
27	02/100307		Washer		2
28	02/100308		Dowel		2
29	02/101790	Superseded	Bridge piece		1
29	M.S.S		Multi Supersession <i>Part N/A use 29A with 33A</i>		1
29A	02/102034		Bridge piece		1
30	02/100112		Seal <i>Used only with item 29</i>		2
30	****		'See Remark' <i>Sealant, Used only with item 29A</i> <i>See Note 2</i>		1
31	826/00759		Bolt		2
32	02/100309		Washer		2
33	02/101791		Stud		2
33A	1305/0104Z		Setscrew (5/16" UNF x 3/4")		2

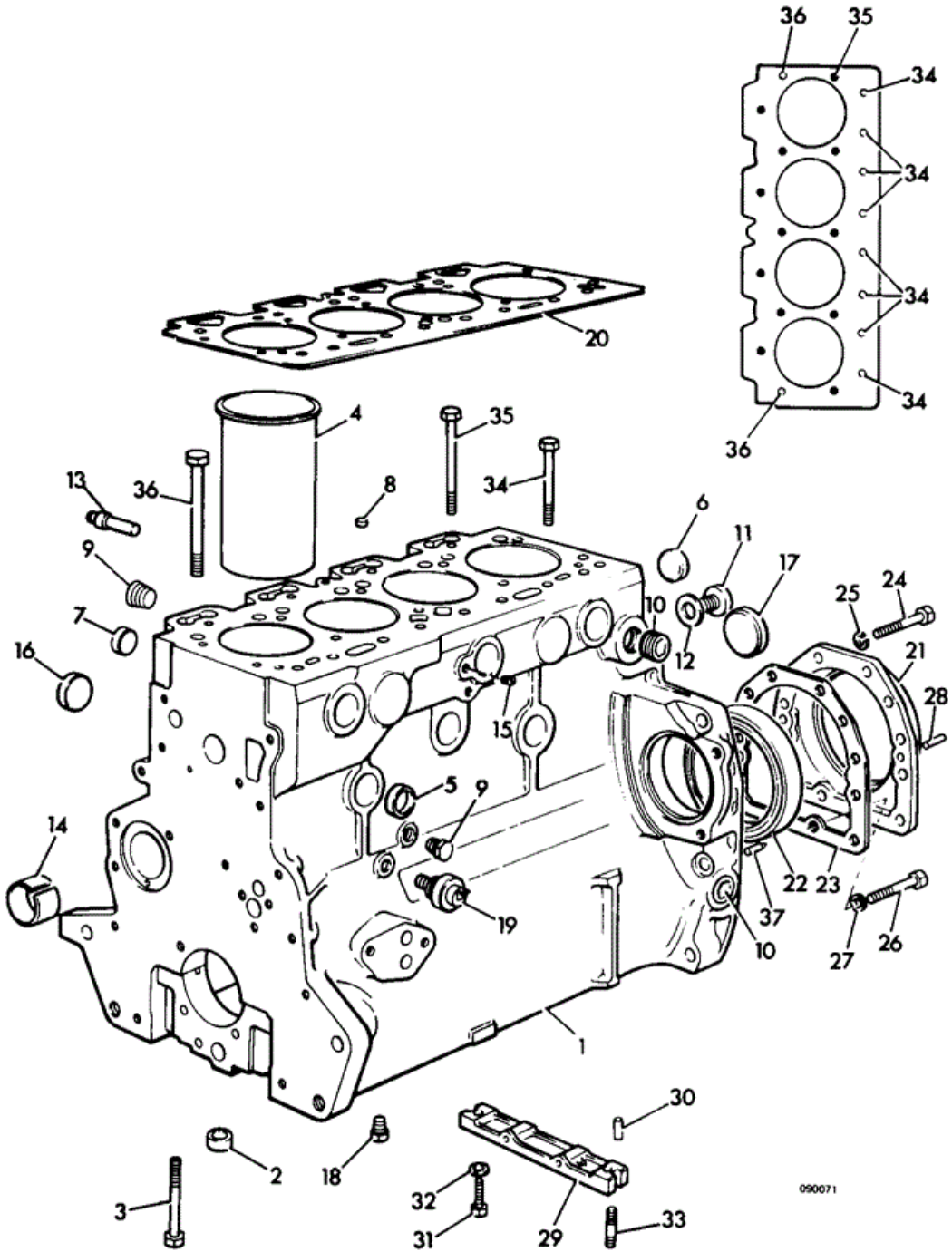
34	02/101762		Bolt 103mm		8
35	02/101761		Bolt 119mm		12
36	02/101760		Bolt 140mm		2
37	02/100136		Pointer Timing		1

Note 1: Special tools for fitting, boring and honing required General service use slip-fit type.

Note 2: Refer to Service Workshop Manual



9802/7500 L1-1-5 BLOCK ASSEMBLY METRIC LJ BUILD



090071

Thank you so much for reading.
Please click the “Buy Now!”
button below to download the
complete manual.



After you pay.

You can download the most
perfect and complete manual in
the world immediately.

Our support email:

ebooklibonline@outlook.com