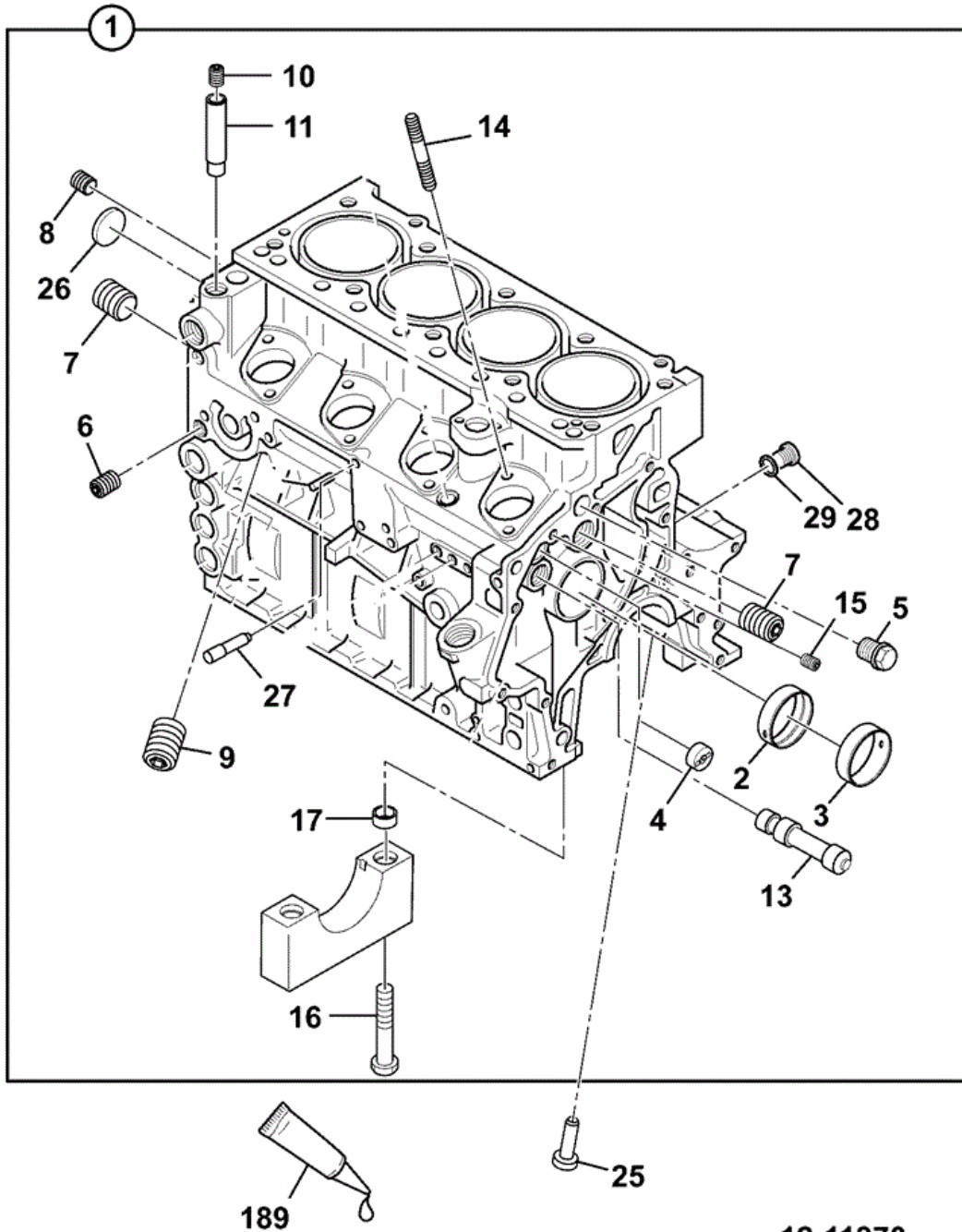




9822/0435 P120-2-1 CYLINDER BLOCK



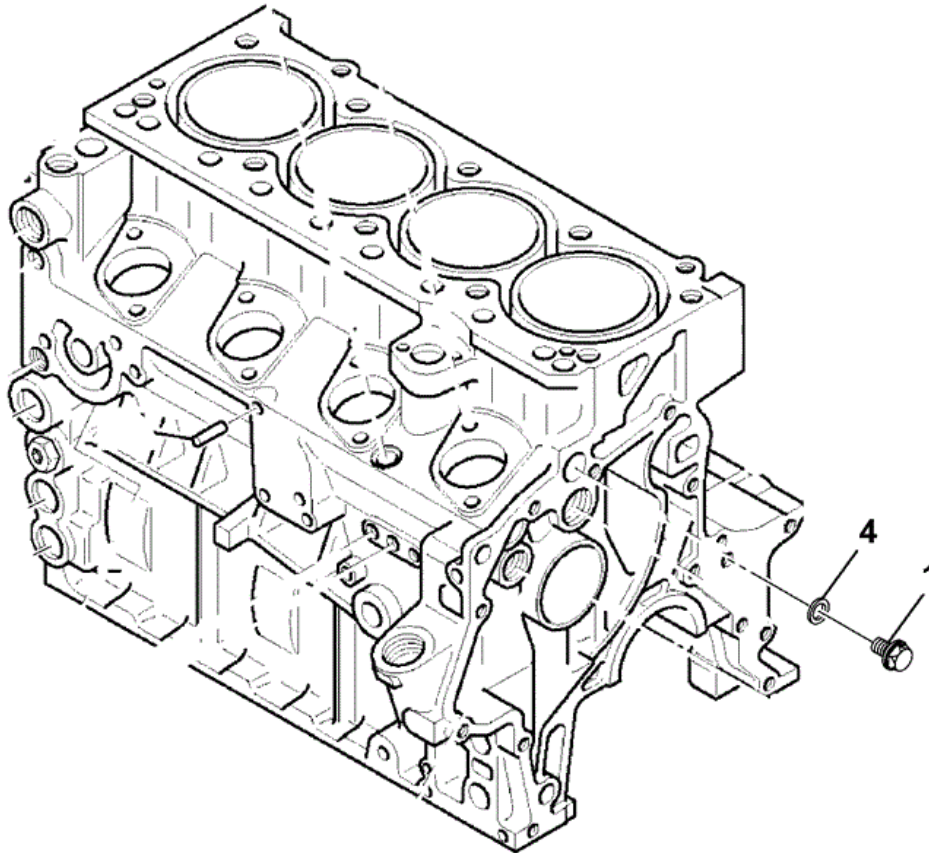
12-11870

Item	Part #	Change No	Description	Usage Code	QTY
1	333/E7921		Block cylinder <i>Includes items 2 to 17 & 26 to 29</i>		1
2	:02/930001		Bearing camshaft		2

3	:02/930002	Bearing Bearing camshaft	3
4	:02/941182	Sleeve .	2
5	:02/930004	Plug Plug screw	1
6	:02/930007	Plug Plug screw	1
7	:02/930005	Plug Plug screw	2
8	:02/930006	Plug Plug screw	1
9	:02/930020	Plug Plug screw	1
10	:02/930008	Plug Plug screw	1
11	:02/941296	Tube .	1
13	:02/941297	Plug .	1
14	:02/930012	Stud	8
15	:02/930013	Plug Plug screw	1
16	:02/930014	Bolt Bolt hex/head	10
17	:02/930015	Bush	10
25	02/930018	Nozzle Nozzle piston coolin	8
26	:02/930019	Cover	1
27	:02/941109	Pin .	1
28	:02/930021	Plug Plug screw	2
29	:02/930022	Ring Ring sealing	2
189	:02/930024	Sealant locking	1



9822/0435 P120-3-1 CYLINDER BLOCK BLANKING PLUGS

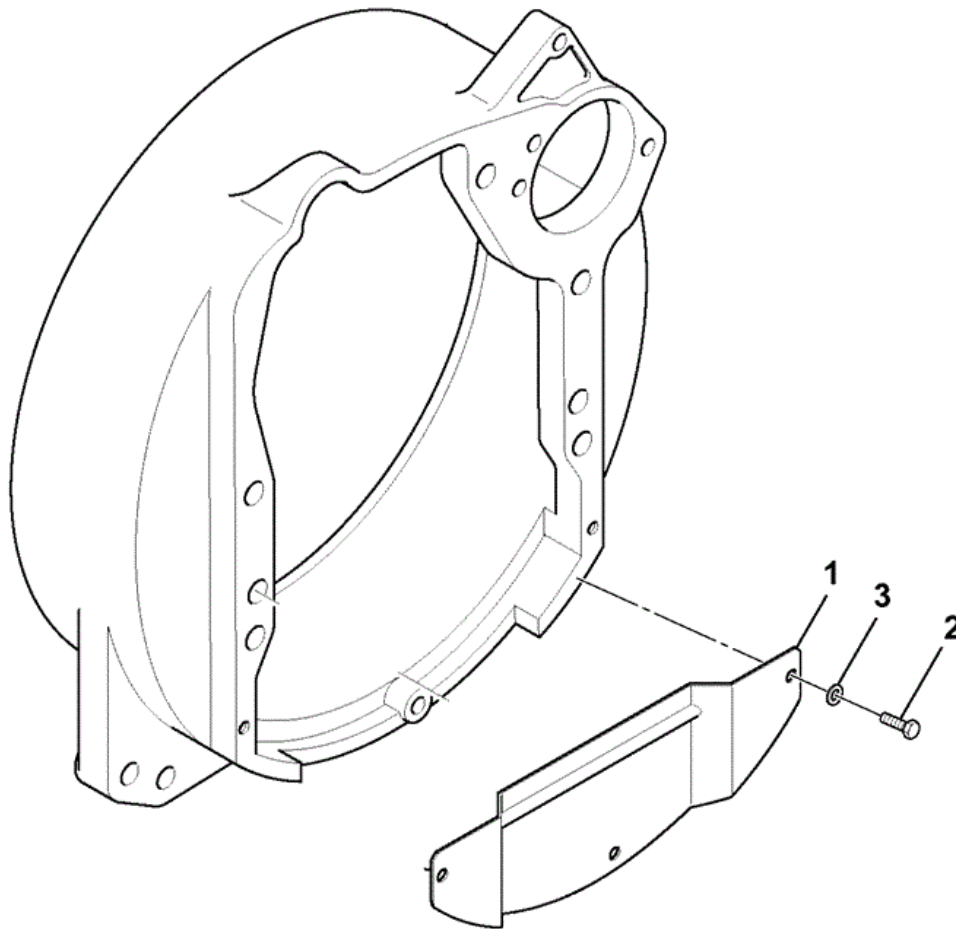


12-12170

Item	Part #	Change No	Description	Usage Code	QTY
1	02/930084		Plug screw		1
4	02/930085		Seal ring		1



9822/0435 P120-4-1 CYLINDER BLOCK COVER PLATE

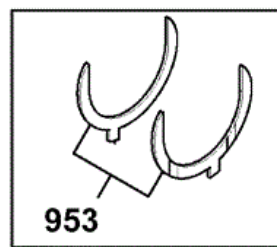
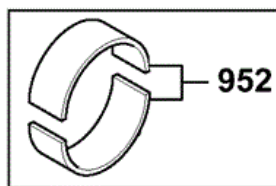
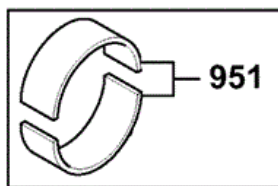
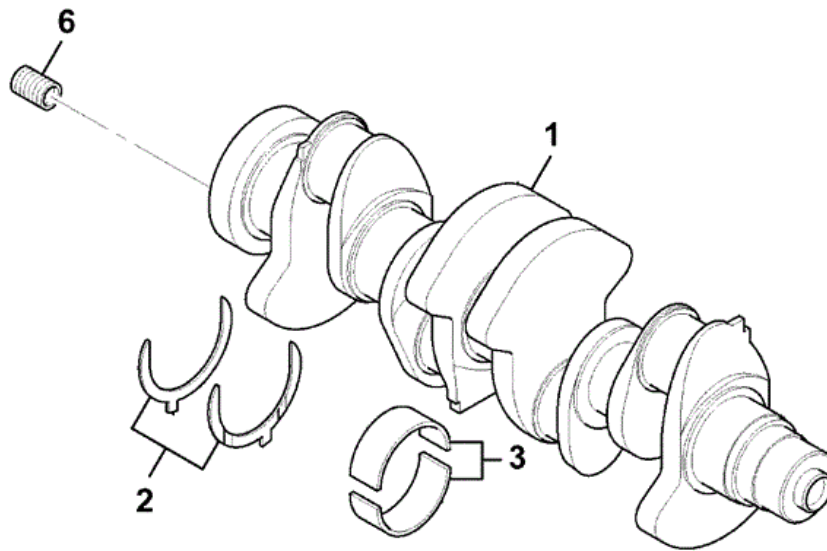


12-12270

Item	Part #	Change No	Description	Usage Code	QTY
1	02/930226		Cover plate		1
2	02/930227		Bolt M6x10		3
3	02/930228		Washer		3



9822/0435 P130-1-1 CRANKSHAFT



12-11800

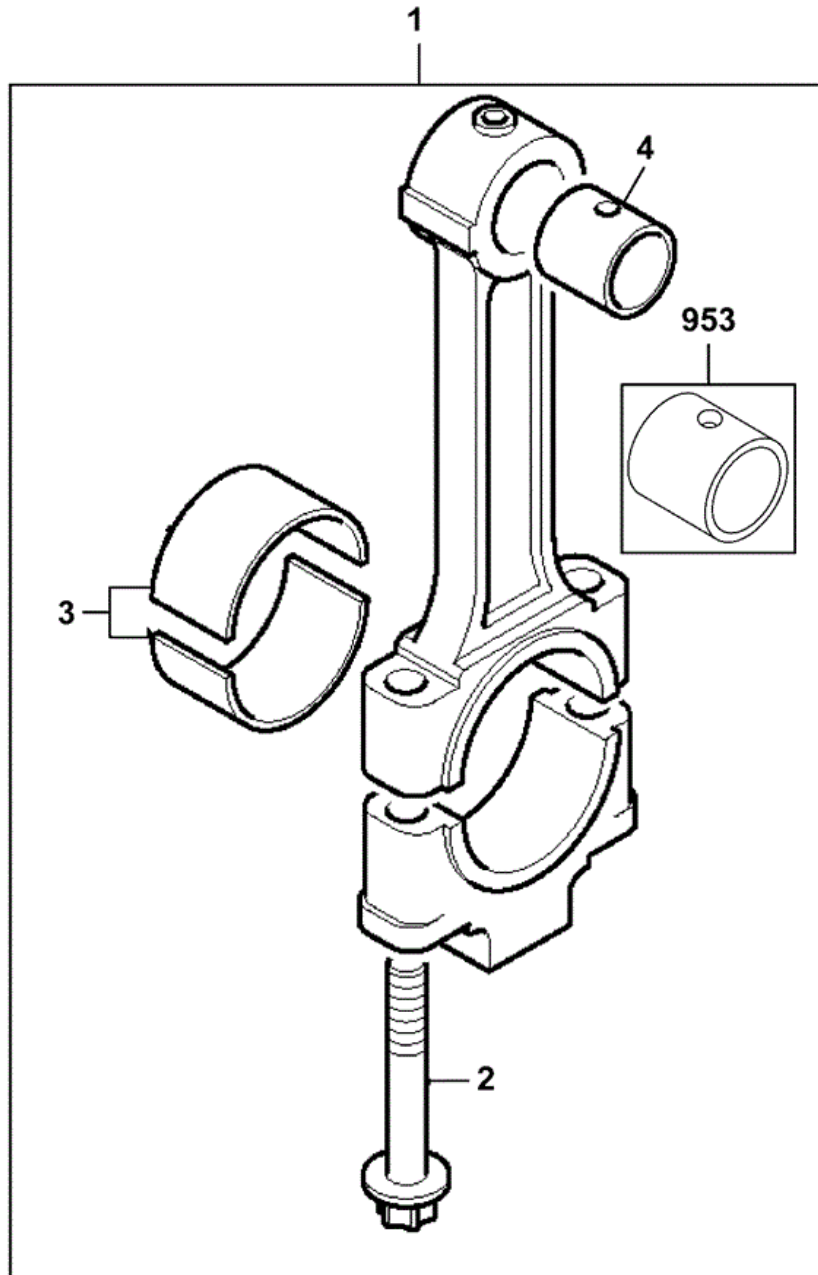
Item	Part #	Change No	Description	Usage Code	QTY
1	02/941149		Crankshaft .		1
2	02/930031		Bearing main standard		5
3	02/930034		Washer thrust standard (pair)		1

6	02/930029		Insert helecoil	8
951	333/E7947		Bearing main 1st o/s	1
952	333/E7948		Bearing main 2nd o/s	1
953	333/E7949		Washer thrust 1st o/s	1



9822/0435 P140-1-1 PISTON AND CONROD ASSEMBLIES

CONNECTING ROD



12-11620

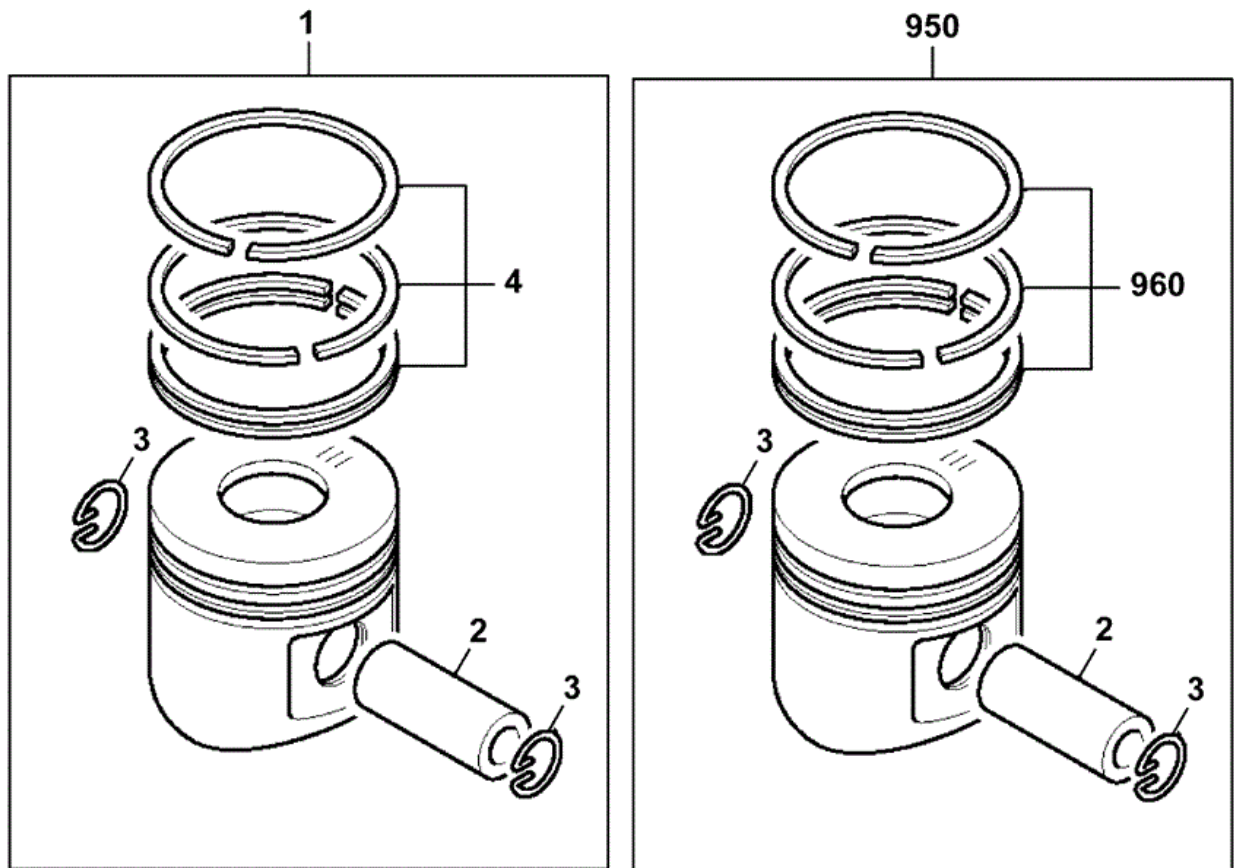
Item	Part #	Change No	Description	Usage Code	QTY
1	02/941126		Conrod Assy. <i>Includes items 2 to 4</i>		1

2	:02/941127		Bolt .	2
3	:02/941098		Bearing Big End	1
4	:02/941100		Bush .	1
953	02/941101		Bush Over Size	1



9822/0435 P140-2-1 PISTON AND CONROD ASSEMBLIES

PISTON ASSEMBLY



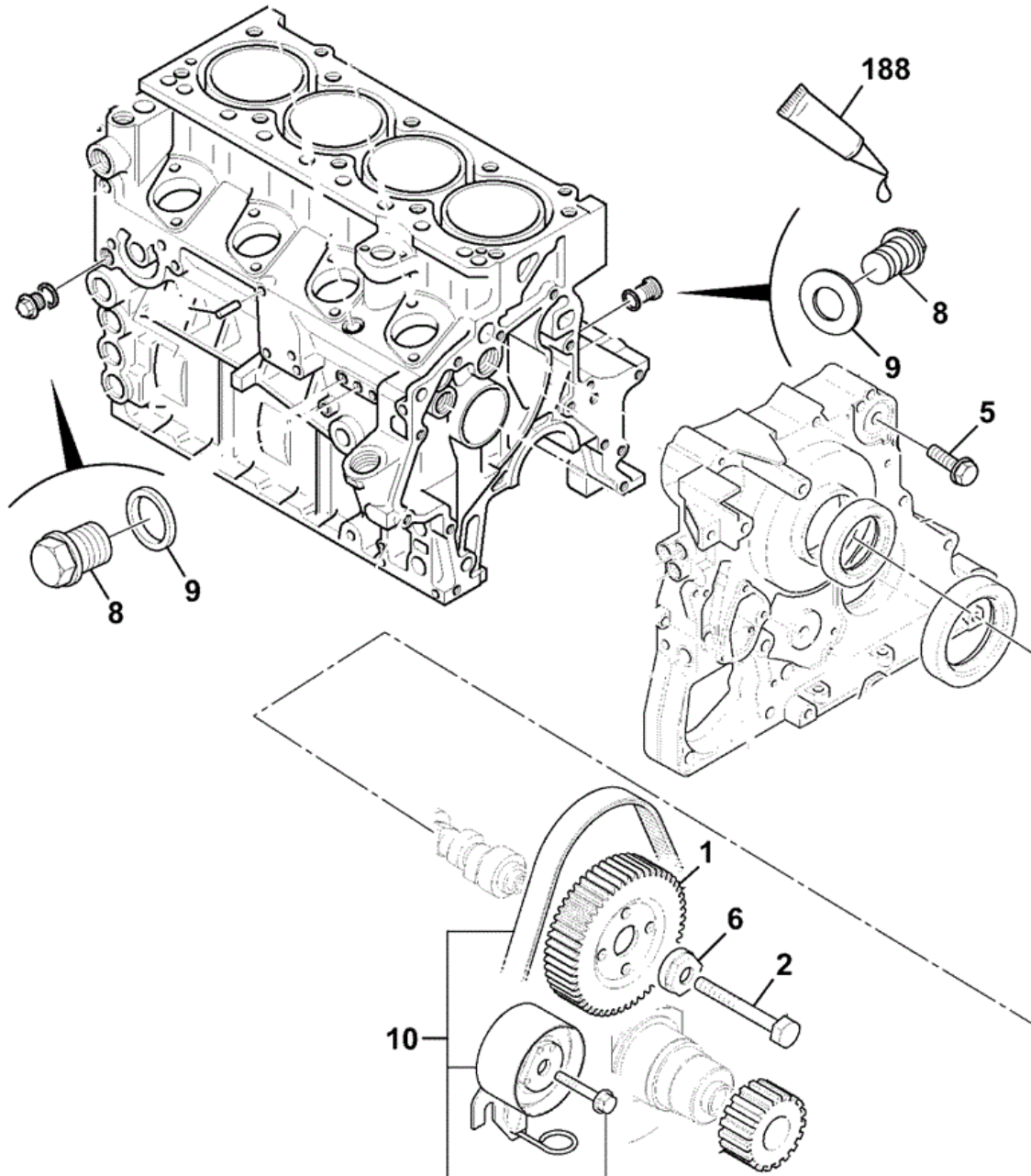
12-11640

Item	Part #	Change No	Description	Usage Code	QTY
1	333/E8065		Piston assembly <i>Includes items 2 to 4</i>		1

2	:02/941106		Pin Gudgeon	1
3	:02/941067		Circlip .	2
4	:02/941167		Piston Ring	1
950	333/E8066		Piston assembly 1st o/s	1
960	333/E8067		Piston ring 1st o/s	1



9822/0435 P150-1-1 CAMSHAFT DRIVE



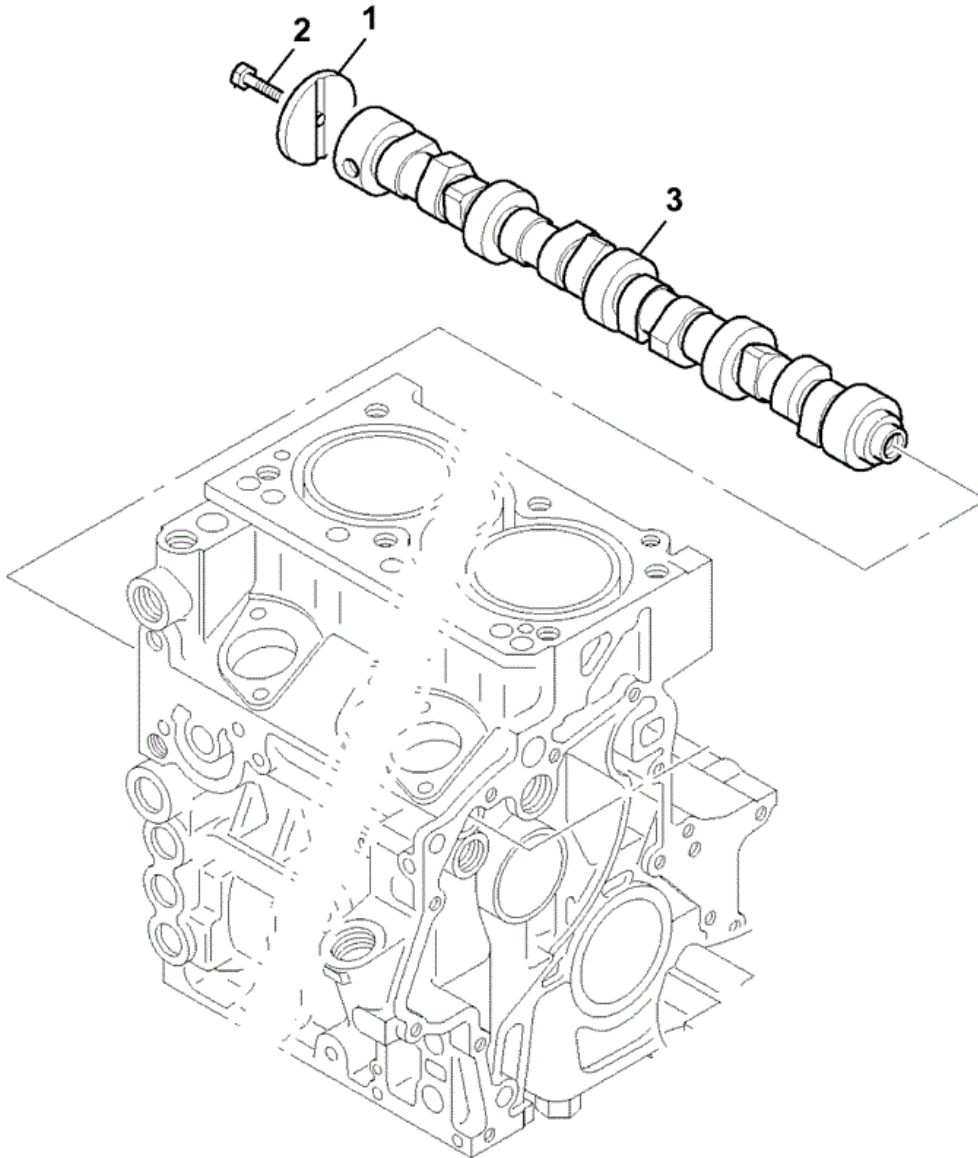
12-11850

Item	Part #	Change No	Description	Usage Code	QTY
1	02/941120		Pulley .		1
2	02/941112		Bolt .		1
5	02/930208		Bolt M8x60		12

6	02/930209		Washer	1
8	02/930212		Plug	2
9	02/930097		Seal ring	2
10	02/930210		Belt Timing Kit	1
188	02/930211		Packing compound	1



9822/0435 P150-2-1 CAMSHAFT

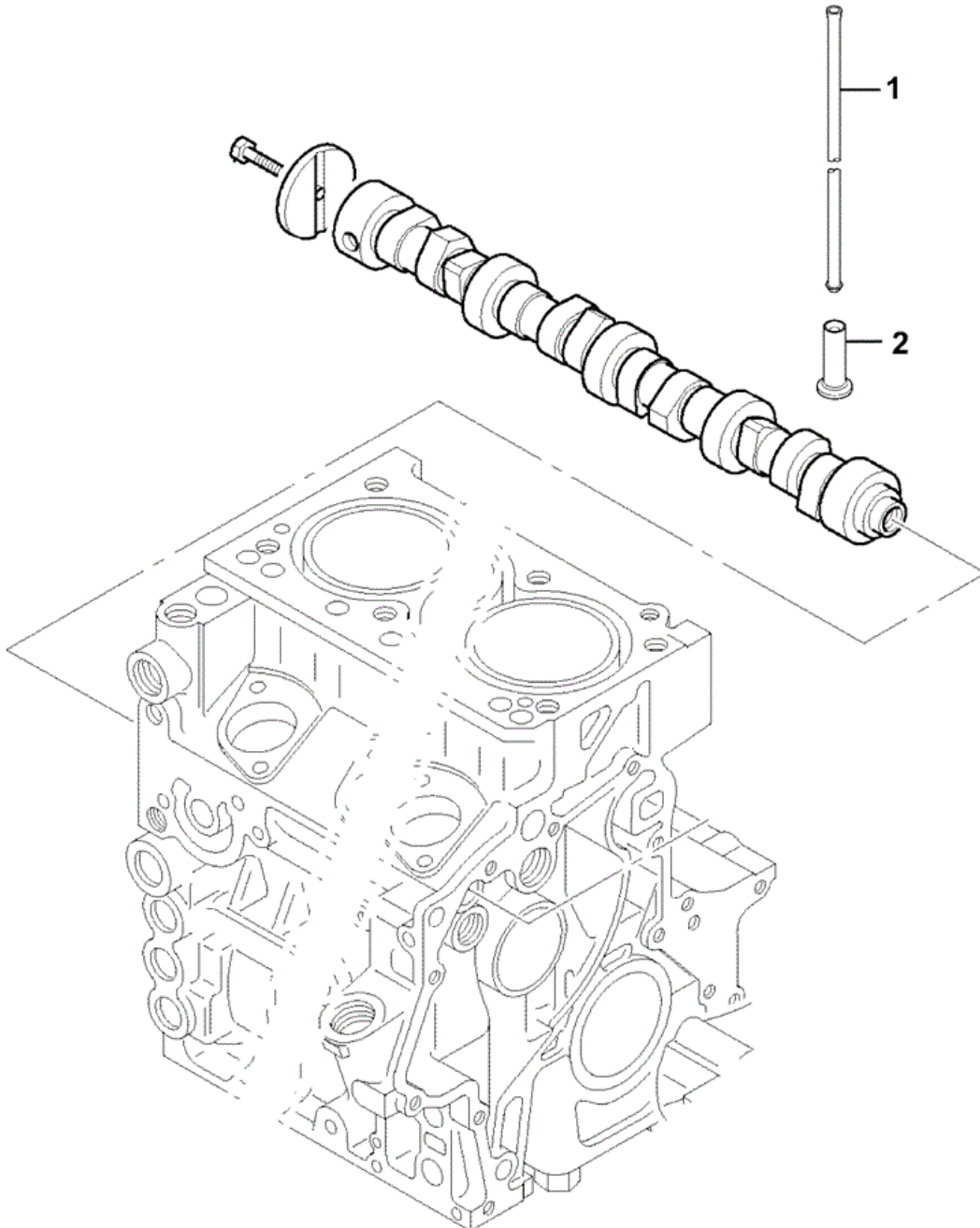


12-11630

Item	Part #	Change No	Description	Usage Code	QTY
1	02/930214		Washer thrust		1
2	02/930216		Bolt M8x35		1
3	333/E8101		Camshaft .		1



9822/0435 P150-3-1 CAMSHAFT PUSH RODS & TAPPETS

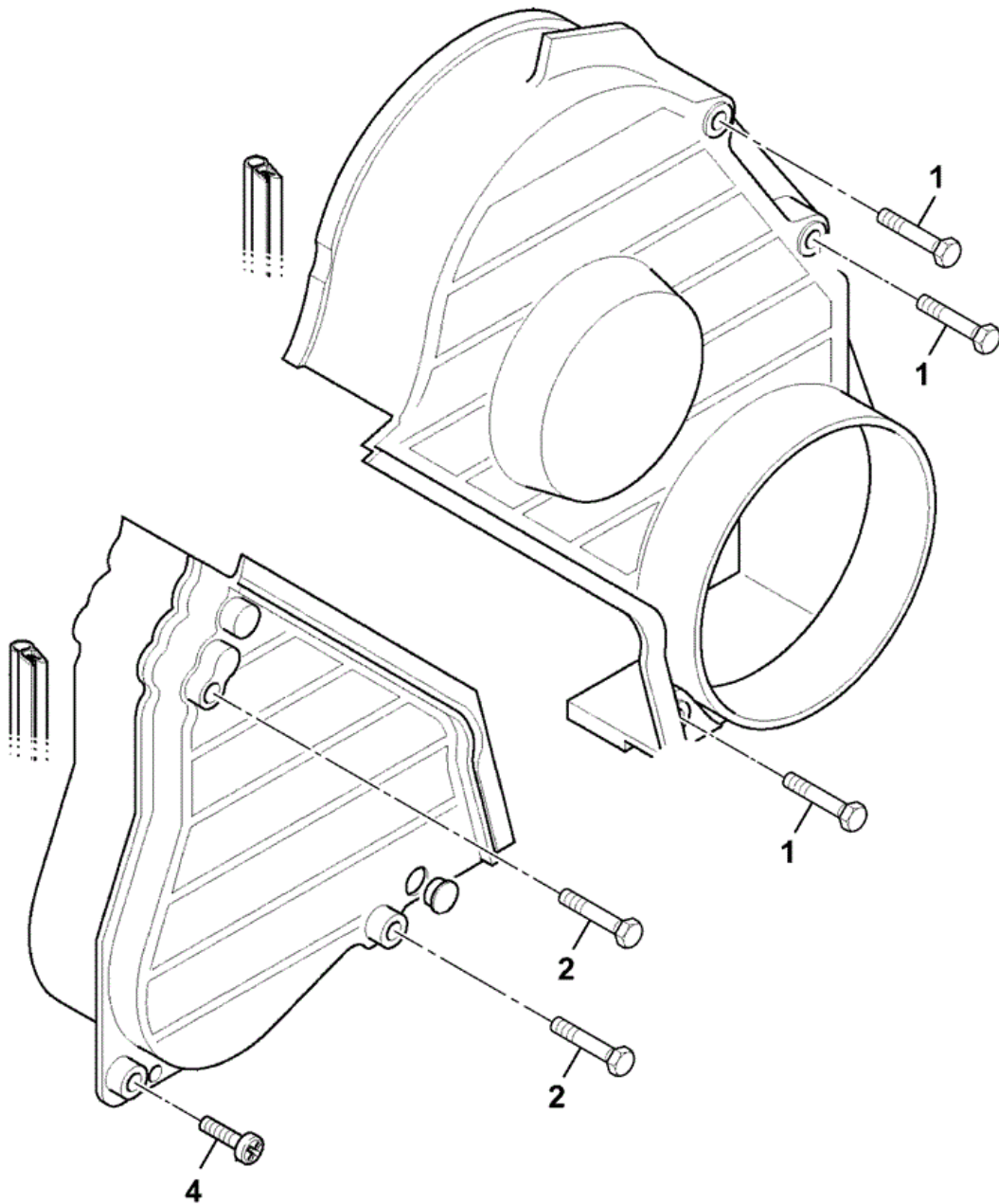


12-11860

Item	Part #	Change No	Description	Usage Code	QTY
1	02/941128		Rod Push		2
2	02/930083		Tappet		2



9822/0435 P160-1-1 TIMING CASE FIXINGS



12-11820

Item	Part #	Change No	Description	Usage Code	QTY
1	02/930222		Bolt M6x55		3
2	02/941065		Bolt .		2
4	02/930224		Screw locking		1

Thank you so much for reading.
Please click the “Buy Now!”
button below to download the
complete manual.



After you pay.

You can download the most
perfect and complete manual in
the world immediately.

Our support email:

ebooklibonline@outlook.com