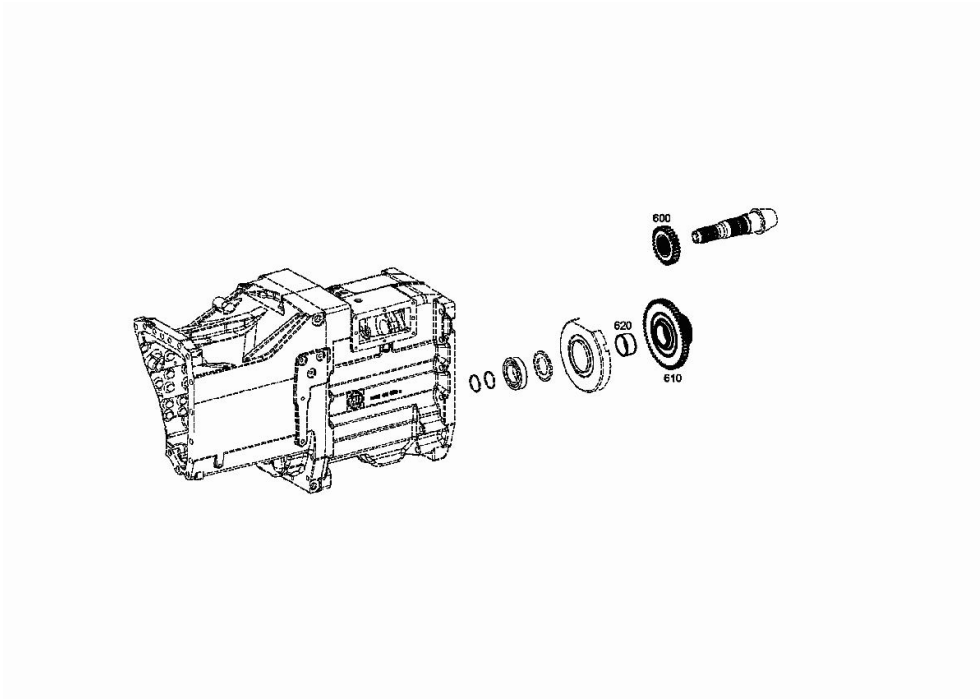


FRONT TRANSMISSION - 2095 009 057

Fig.	P/n	QTY	Name
600	04423288	1	gear Z = 29
610	0.900.0294.1	1	gear
620	0.010.3340.1	1	bush



Section: D0 - TRANSMISSION
OIL SUPPLY - 2095 009 057

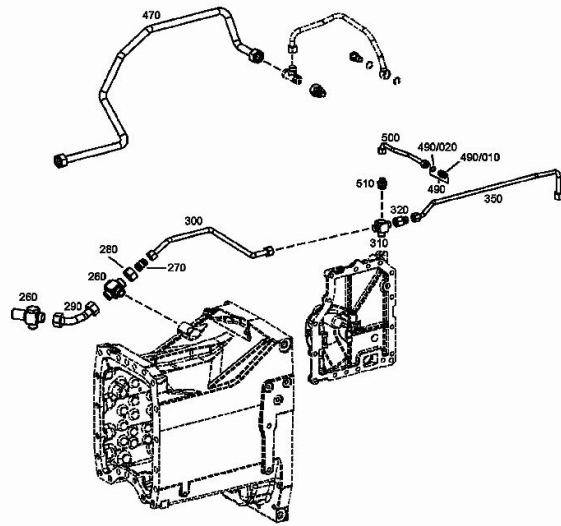
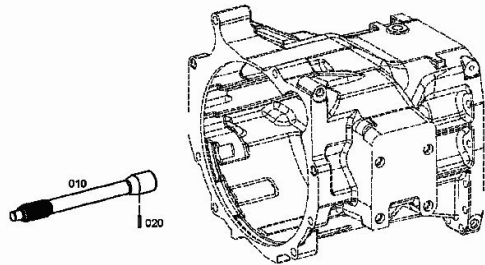


Fig.	P/n	QTY	Name
260	04416647	2	screw
270	04417779	1	reduction
280	0.010.3360.1	1	nut
290	04431735	1	tube
300	04431738	1	tube
310	04416428	1	screw
320	04417781	1	reduction
350	04438442	1	tube
470	0.900.0283.6	1	tube
480	04436331	2	oil seal 16 x 20
490	0.000.0000.1	1	cannot be supplied
490	04417455	1	screw
			(...) <-
490.10	04417948	1	vent
			-> (...)
490.20	02315162	1	oil seal 13x2
			-> (...)
500	0.900.0283.4	1	tube
			(...) <-
500	0.900.0955.9	1	tube
			-> (...)
510	0.010.3805.0	1	vent
540	0.900.0282.5	1	pipe union

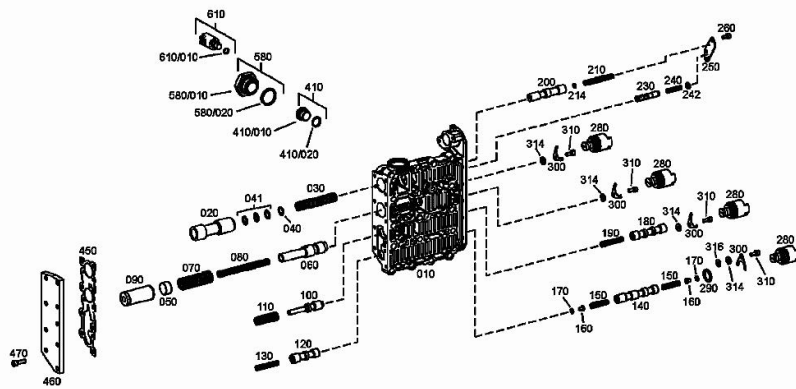
HOLLOW DRIVE SHAFT - 2095 009 057

Fig.	P/n	QTY	Name
10	04416653	1	shaft
20	0.010.3275.0	1	pin 4 x 26



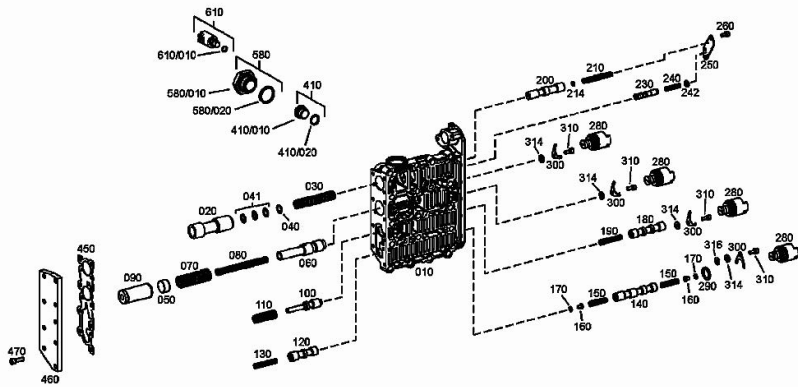
CONTROL UNIT - GEARS - 2095 009 057

Fig.	P/n	QTY	Name
10	04416655	1	spool valve
20	04423298	1	piston
30	04416657	1	spring
40	0.000.0000.1	1	cannot be supplied
40	02371798	1	shim mm 10x16x0.2
40	04416658	1	shim mm 10x16x0.3
40	04416659	1	shim mm 10x16x0.4
40	04416660	1	shim mm 10x16x0.5
40	04416661	1	shim mm 10x16x1
41	04416661	3	shim mm 10x16x1
50	04416663	1	shim
60	04416664	1	piston
70	04416665	1	spring
80	04416666	1	spring
90	04416667	1	piston
100	04416668	1	piston
110	04416669	1	spring
120	04416670	1	piston
130	04416671	1	spring
140	04419176	1	piston
150	04416673	2	spring
160	04416674	2	bushing
170	04416675	2	ring
180	04416676	1	piston
190	04416671	1	spring
200	04416679	1	piston
210	04431682	1	spring
214	0.000.0000.1	1	cannot be supplied
214	04416851	1	shim 4x8x0.5
214	04417918	1	shim 4x8x0.2
230	04419156	1	valve
240	04416682	1	spring
242	04416832	1	ring
250	04416683	1	small plate
260	04434505	3	screw m 5x10
270	04416684	10	ball
280	04416685	4	solenoid valve
290	02361737	1	washer mm 1.00
300	04416677	4	stop
310	04434506	4	screw m 5 x 12
314	04359458	4	washer mm 2.00
316	04359457	1	washer mm 1.00
320	04431740	1	electrical system
330	04416687	1	plate



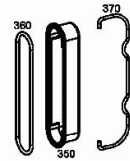
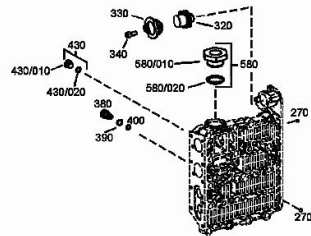
CONTROL UNIT - GEARS - 2095 009 057

Fig.	P/n	QTY	Name
340	04434507	2	screw m 6 x 14
350	04416838	1	cover
360	04417233	1	ring 159.2x5.7
370	04416690	1	bracket
380	0.000.0000.1	1	cannot be supplied
380	04416691	1	diaphragm mm 0.8
380	04416692	1	diaphragm mm 0.75
380	04416693	1	diaphragm mm 0.7
390	04415683	1	oil seal 8x1.5
400	0.010.2618.1	1	oil seal 6x1.5
410	0.000.0000.1	3	cannot be supplied
410.10	0.900.0291.5	3	plug
410.20	02968175	3	oil seal 15x2
430	0.000.0000.1	6	cannot be supplied
430.10	0.900.0280.5	6	plug m 10 p.1
430.20	04415683	6	oil seal 8x1.5
450	04416694	1	gasket
460	04416695	1	cover
470	04434508	9	screw m 6 x 20
580	0.000.0000.1	2	cannot be supplied
580.10	04416704	2	bush
580.20	0.900.0290.4	2	ring
610	04431690	1	pressure switch
610.10	04415683	1	oil seal 8x1.5



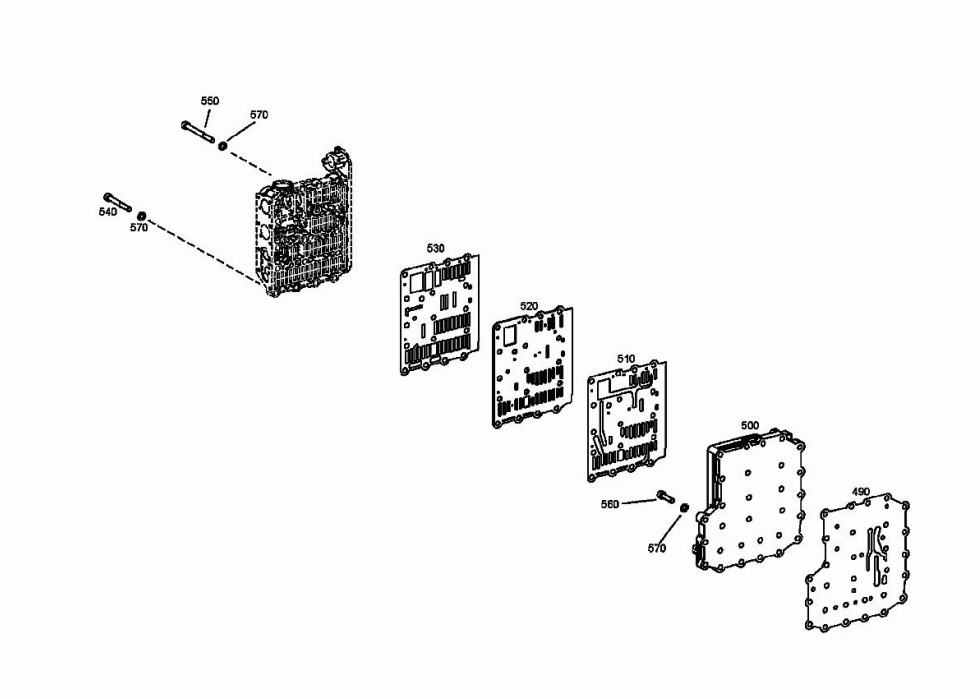
CONTROL UNIT - GEARS - 2095 009 057

Fig.	P/n	QTY	Name
270	04416684	10	ball
320	04431740	1	electrical system
330	04416687	1	plate
340	04434507	2	screw m 6 x 14
350	04416838	1	cover
360	04417233	1	ring 159.2x5.7
370	04416690	1	bracket
380	04416691	1	diaphragm mm 0.8
380	04416692	1	diaphragm mm 0.75
380	04416693	1	diaphragm mm 0.7
390	04415683	1	oil seal 8x1.5
400	0.010.2618.1	1	oil seal 6x1.5
430	0.000.0000.1	6	cannot be supplied
430.10	0.900.0280.5	6	plug m 10 p.1
430.20	04415683	6	oil seal 8x1.5
580	0.000.0000.1	2	cannot be supplied
580.10	04416704	2	bush
580.20	0.900.0290.4	2	ring



TRANSMISSION CONTROL UNIT - 2095 009 057

Fig.	P/n	QTY	Name
490	04417834	1	gasket
500	04416696	1	cover
510	04416699	1	gasket
520	04438437	1	plate
530	04431681	1	gasket
540	04416701	16	screw m 8 x 65
550	04416702	1	screw m 8 x 90
560	04416703	12	screw m 8 x 32
570	04416940	29	washer 8.4



Buy Now



Our support email:

ebooklibonline@outlook.com