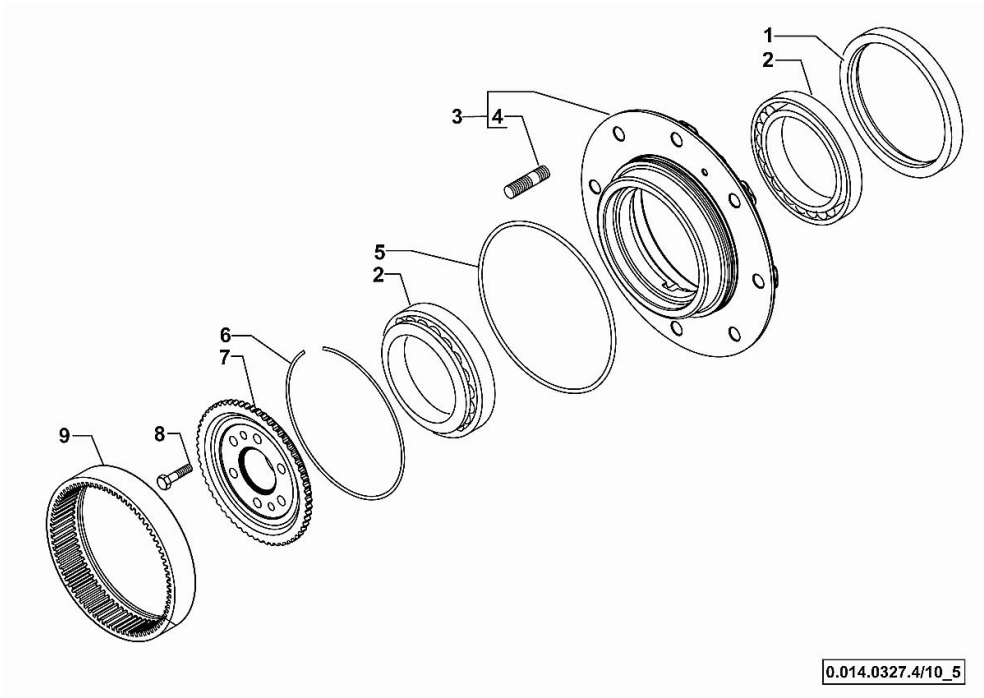


Section: F0 - FRONT AXLE

WHEEL HUB - 641374

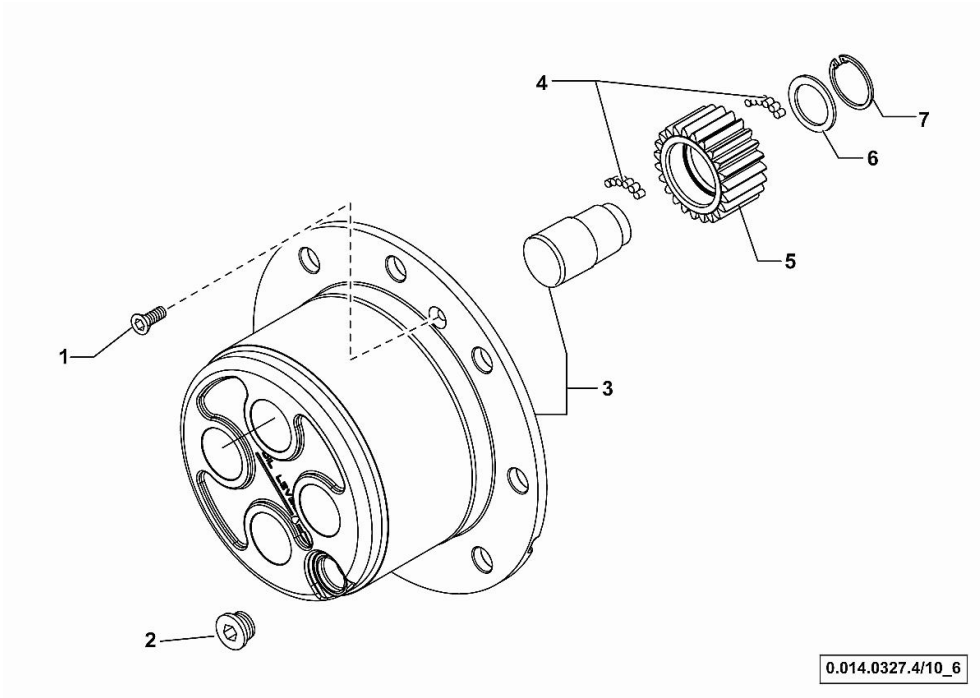
Fig.	P/n	QTY	Name
1	0.900.0091.1	2	oil seal 155x180x14,5
2	0.900.1360.6	4	bearing
3	0.900.0530.9	2	wheel hub
4	0.900.0091.4	16	stud bolt
5	0.900.0091.5	2	oil seal
6	0.900.0091.6	2	circlip
7	0.900.1360.7	2	hub
8	0.900.0091.8	12	screw m 12 x 45
9	0.900.1537.0	2	crown wheel z=60



0.014.0327.4/10_5

PLANETARY GEAR - 641374

Fig.	P/n	QTY	Name
1	0.900.0092.0	4	screw m 8 p.1.25 x 20
2	0.900.0092.1	2	plug m 30 p.2
3	0.900.0960.8	2	spider - KIT
4	0.000.0000.1		cannot be supplied
5	0.900.0092.4	8	gear Z = 23
6	0.900.2090.3	8	slewing ring
7	0.900.0092.6	8	circlip



Section: F0 - FRONT AXLE

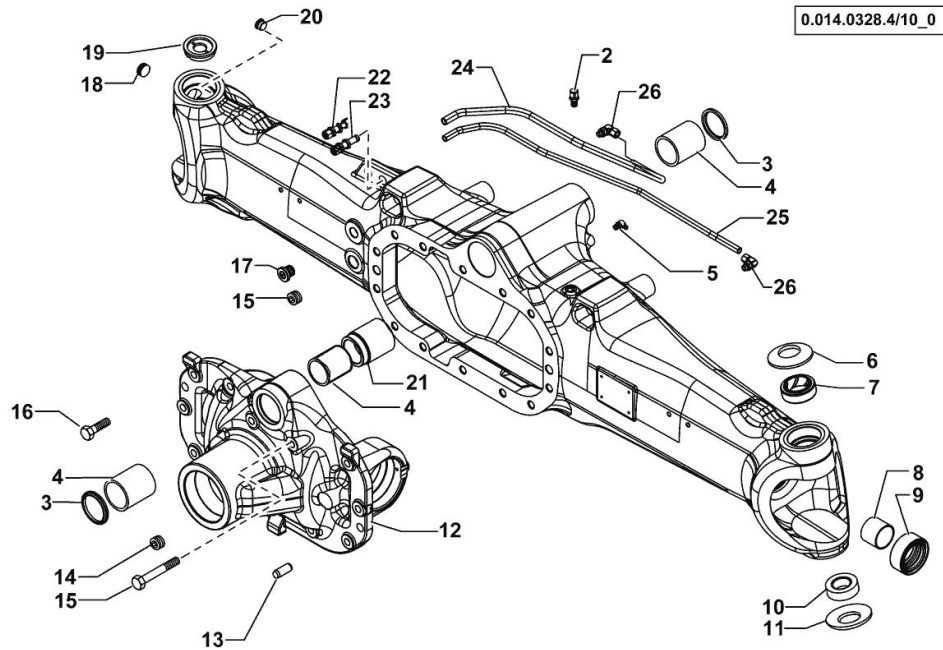
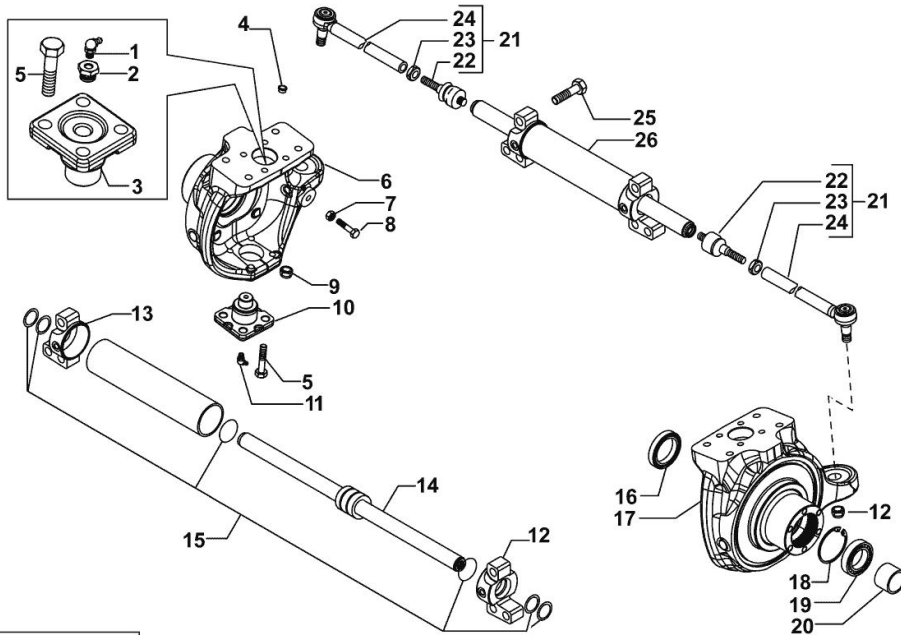
DRIVEN FRONT AXLE - 641375

Fig.	P/n	QTY	Name
2	0.900.0079.8	1	breather m 10 p.1
3	0.900.0079.9	2	circlip
4	0.900.0080.0	3	bushing
5	0.900.0080.1	1	grease gun m 8 p.1, 45°
6	0.900.0080.2	2	spring
7	0.900.0080.3	2	bushing
8	0.900.0080.4	2	bushing
9	0.900.0912.6	2	oil seal 40x65x27,5
10	0.900.0080.6	2	bearing
11	0.900.0080.7	2	spring
12	0.900.0118.4	1	support
13	0.900.0081.0	2	pin Ø 15x45
14	0.900.0081.1	2	plug m 24 p.1.5
15	0.900.0081.2	2	screw m 14x75
16	0.900.0081.3	12	screw m14 x 40
17	0.900.0105.5	1	bottom
18	0.900.0081.6	1	plug m 26 p.1.5
19	0.900.0966.6	1	small cover
20	0.900.0105.7	1	bottom
21	0.900.0082.2	1	bushing
22	0.900.0081.7	1	pipe fitting
23	0.900.0081.8	1	pipe fitting
24	0.900.0106.8	1	tube
25	0.900.0106.9	1	tube
26	0.900.0107.0	2	pipe fitting

Section: F0 - FRONT AXLE
STEERING CYLINDER - 641375

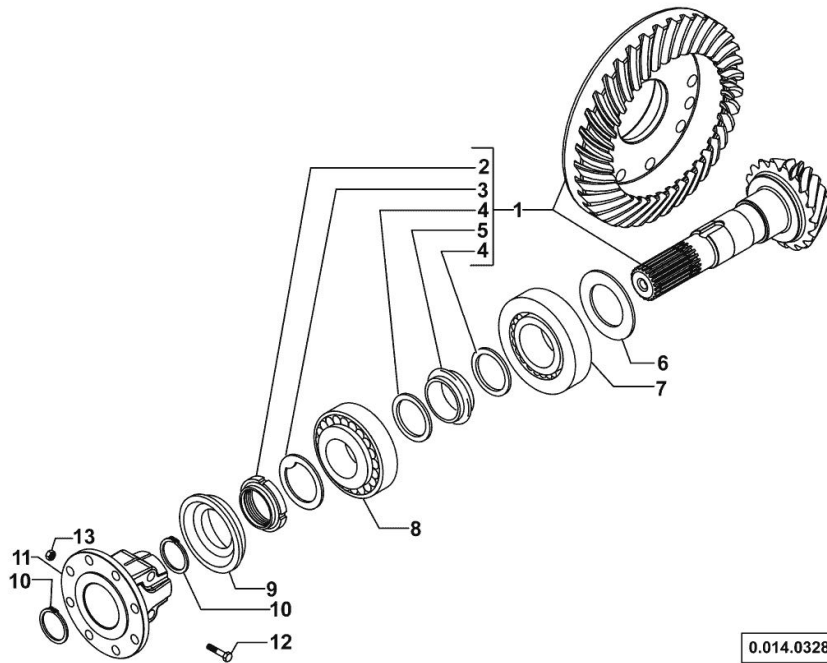
Fig.	P/n	QTY	Name
1	0.900.0542.4	2	grease gun m 6 p.1
2	0.900.0082.4	2	screw m 20 p.1.5
3	0.900.0502.5	2	pin
4	0.900.0085.0	8	plug
5	0.900.0082.9	16	screw m 14 x 35
6	0.900.0107.9	1	fork sx/lh/li
7	0.900.0105.8	2	nut m 14
8	0.900.0083.2	2	screw M14x60
9	0.900.0083.3	2	nut m 20 p.1
10	0.900.0083.4	2	pin
11	0.900.0083.5	2	grease gun m 6 p.1, 45°
12	0.900.0107.1	1	fork dx/rh/re
13	0.900.0107.2	1	fork sx/lh/li
14	0.900.0107.3	1	stem
15	0.900.0107.4	1	gasket set
16	0.900.0083.9	2	oil seal 56x80x13/14,5
17	0.900.0107.5	1	fork dx/rh/re
18	0.900.0084.1	2	circlip
19	0.900.0084.2	2	bearing
20	0.900.0084.3	2	spacer
21	0.900.0107.6	2	rod
22	0.900.0084.5	2	ball joint
23	0.900.0084.6	2	nut m 24x10
24	0.900.0107.7	2	rod
25	0.900.0105.9	6	screw m 20x80
26	0.900.0107.8	1	jack



0.014.0328.4/10_1

BEVEL WHEEL GEAR - 641375

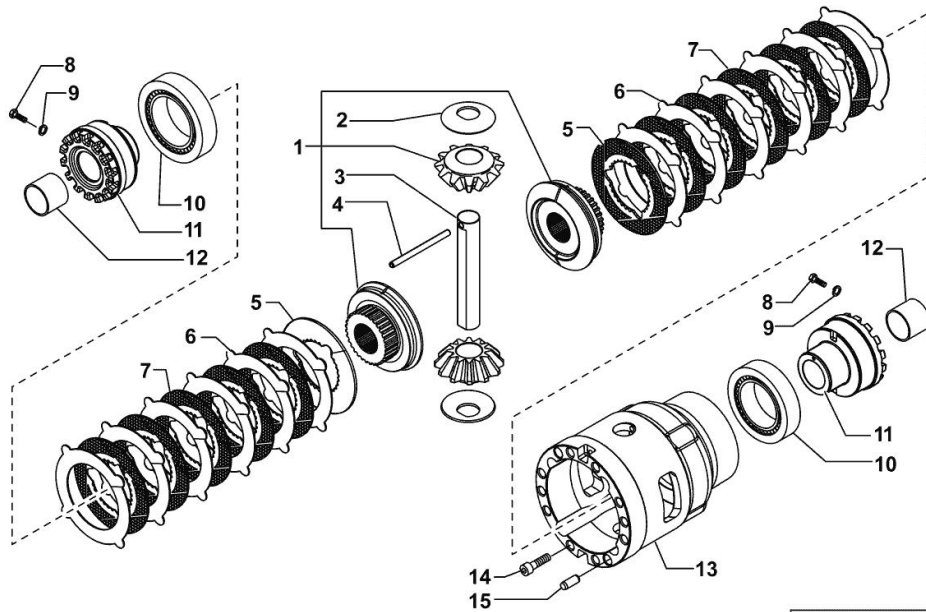
Fig.	P/n	QTY	Name
1	0.900.0108.0	1	bevel drive Z = 14/37
2	0.900.0085.5	1	ring nut m 40 p.1.5
3	0.900.0085.6	1	washer
4	0.900.0085.7	2	washer
5	0.900.0108.1	1	spacer
6	0.900.0108.2	1	shim 2.50
6	0.900.0108.3	1	shim 2.60
6	0.900.0108.4	1	shim 2.70
6	0.900.0108.5	1	shim 2.80
6	0.900.0108.6	1	shim 3.00
6	0.900.0108.7	1	shim 2.90
6	0.900.0108.8	1	shim 3.10
6	0.900.0108.9	1	shim 3.20
6	0.900.0109.0	1	shim 3.30
6	0.900.0109.1	1	shim 3.40
7	0.900.0109.2	1	bearing
8	0.900.0086.9	1	bearing
9	0.900.0087.0	1	oil seal 35x92/98x13/27
10	0.900.0087.1	1	circlip d = 35
11	0.900.0960.5	1	flange
12	0.900.0960.9	2	screw
13	0.900.0961.0	2	nut



0.014.0328.4/10_2

DIFFERENTIAL LOCK - 641375

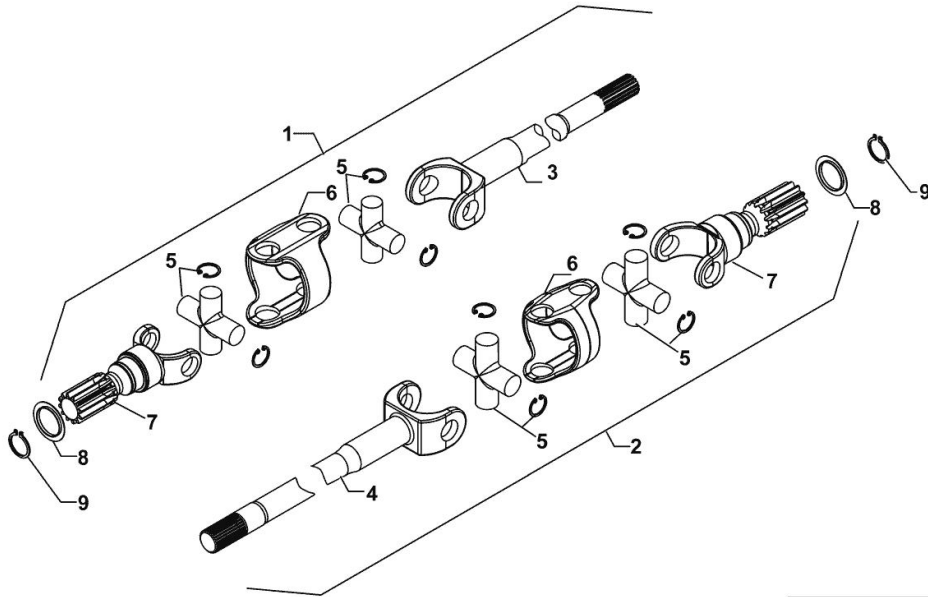
Fig.	P/n	QTY	Name
1	0.900.0118.5	1	set of gears
2	0.900.0109.5	2	slewing ring
3	0.900.0109.6	1	pin
4	0.900.0109.7	1	pin Ø 6 x 86
5	0.900.0118.6	2	disc
6	0.900.0100.9	12	washer
7	0.900.0118.7	10	disc
8	0.900.0088.1	2	screw m 6 x 25
9	0.900.0088.2	1	washer
10	0.900.0090.1	2	bearing
11	0.900.0109.9	2	ring nut m 94 p.1.5
12	0.900.0088.6	2	bushing
13	0.900.0118.8	1	box
14	0.900.0088.0	10	screw m 12 x 35
15	0.900.0088.3	2	pin Ø 12 x 28



0.014.0328.4/10_3

DOUBLE COUPLING - 641375

Fig.	P/n	QTY	Name
1	0.900.0912.7	1	shaft dx/rh/re
2	0.900.0912.8	1	shaft sx/lh/li
3	0.900.0965.4	1	half-shaft dx/rh/re
4	0.900.0965.5	1	half-shaft sx/lh/li
5	0.900.0572.7	4	universal joint
6	0.900.0110.5	2	box
7	0.900.0110.6	2	gear
8	0.900.0090.9	2	cover
9	0.900.0091.0	2	circlip



0.014.0328.4/10_4

Buy Now



Our support email:

ebooklibonline@outlook.com