

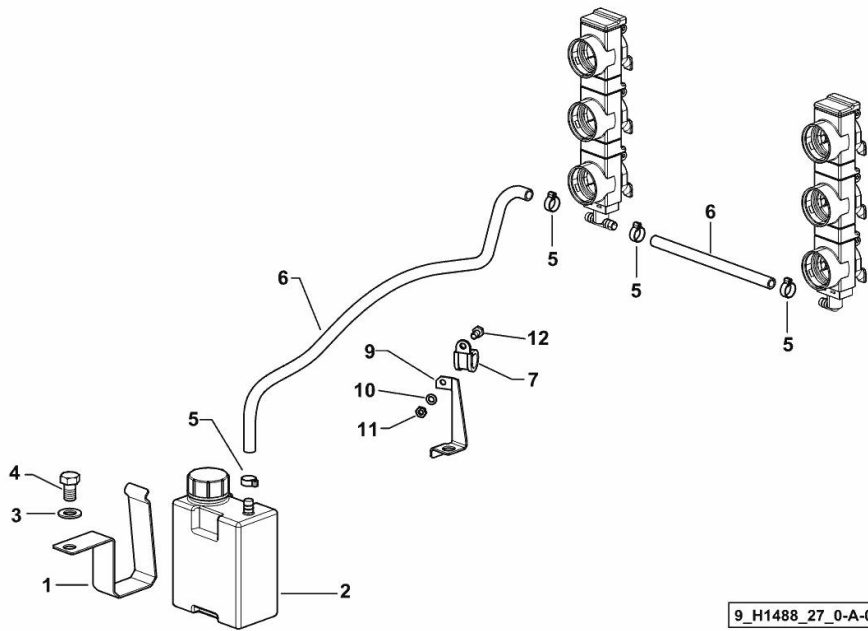
CONNECTOR OIL COLLECTION SYSTEM

Fig.	P/n	QTY	Name
------	-----	-----	------

Notes:

[AGROFARM 420 T ->1001]

1	0.015.3430.0	1	bracket
2	04426824.4	1	tank 600 cm ³
3	2.1475.004.2	1	spring washer 12
4	2.0112.407.2	1	screw m 12 p.1.75 x 20
5	2.6857.019.0	4	clamp 14
6	0.012.9660.0/10	0.8	flexible hose
7	2.6839.066.0/10	1	clamp 16
9	0.015.3823.0/10	1	bracket
10	2.1470.002.2	1	lock washer 6
11	2.1011.203.2	1	nut m 6 p.1
12	2.0112.003.2	1	screw m 6 p.1 x 12



9_H1488_27_0-A-002

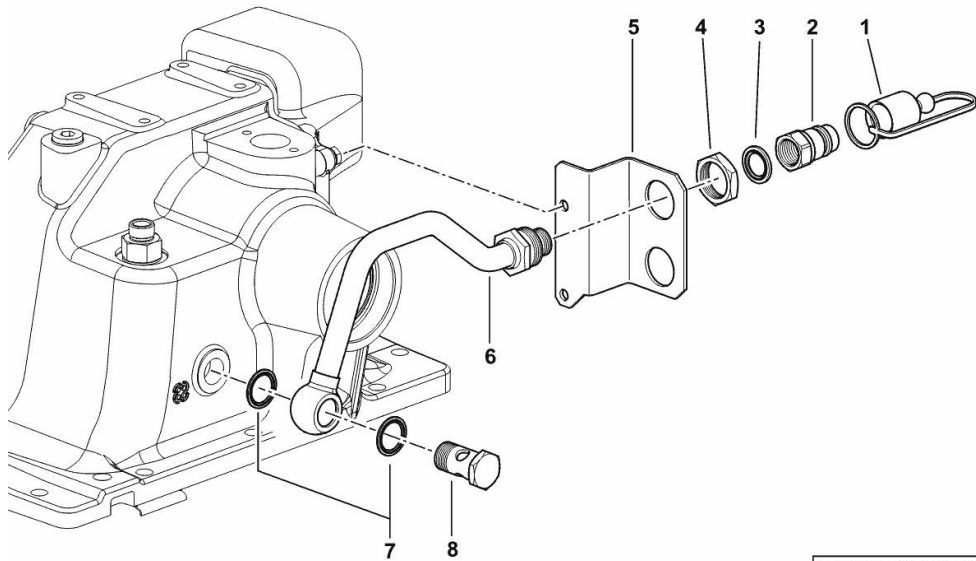
OIL DRAIN PIPES

Fig.	P/n	QTY	Name
------	-----	-----	------

Notes:

[AGROFARM 420 T ->1001] 1027 <-

1	0.009.3149.0	1	plug
2	0.98309.51.3/10	1	coupling 1/2
3	2.1569.206.0	1	gasket
4	2.1019.091.2	1	special nut m 30 p.1.5x8
5	0.015.2138.0/10	1	bracket
6	0.016.4515.3	1	tube
7	2.1561.112.0	2	gasket Ø 22 -B-
8	2.3335.009.2	1	pipe union m 22 p.1.5 x 39



9_P9788_80_0-A-001

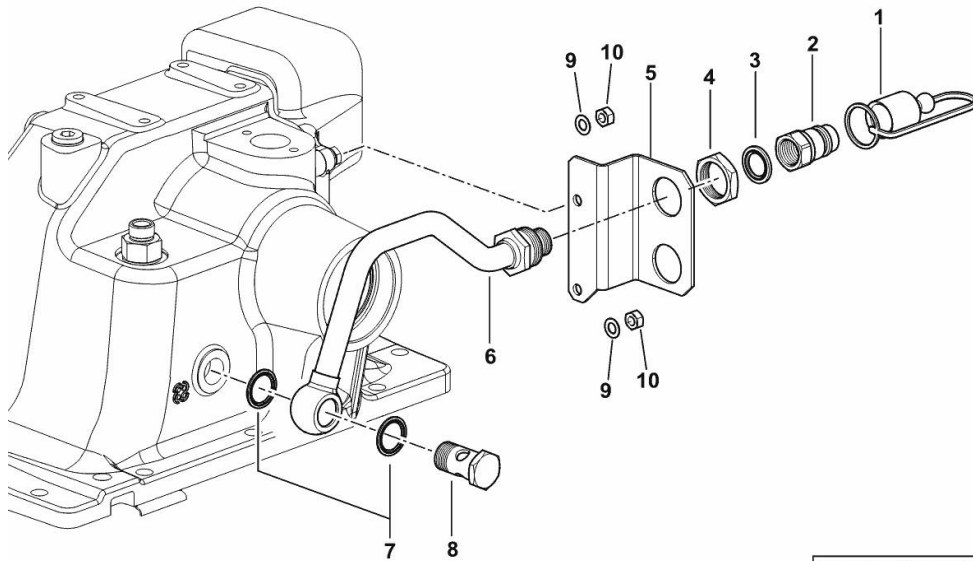
OIL DRAIN PIPES

Fig.	P/n	QTY	Name
------	-----	-----	------

Notes:

[AGROFARM 420 T ->1001] -> 1028

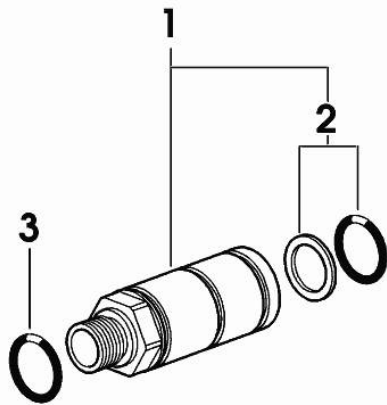
1	0.009.3149.0	1	plug
2	0.98309.51.3/10	1	coupling 1/2
3	2.1569.206.0	1	gasket
4	2.1019.091.2	1	special nut m 30 p.1.5x8
5	0.015.2138.0/20	1	bracket
6	0.016.4515.3	1	tube
7	2.1561.112.0	2	gasket Ø 22 -B-
8	2.3335.009.2	1	pipe union m 22 p.1.5 x 39
9	2.1470.004.2	1	lock washer 8
10	2.1011.105.2	2	nut m 8 p.1.25



9_P9788_80_0-A-002

ENGAGEMENT

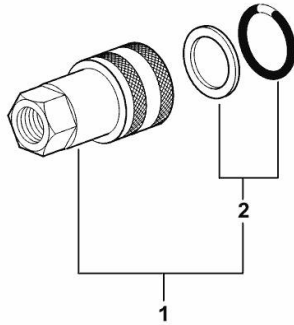
Fig.	P/n	QTY	Name
1	0.010.8473.0	1	coupling FASTER - m 22 p.1.5 / Ø 38
2	04438079	1	seal ring kit
3	0.900.0126.3	1	special oil seal



010_8473_0

ENGAGEMENT

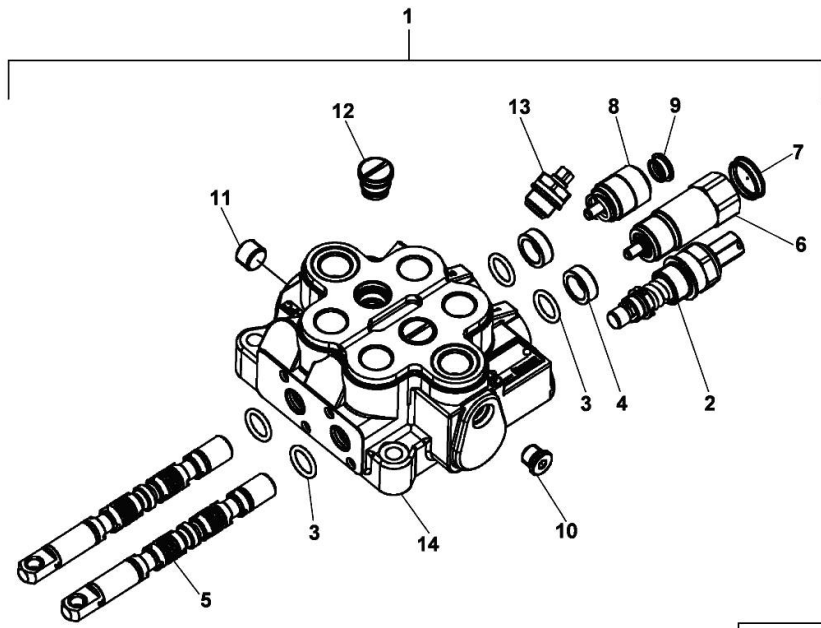
Fig.	P/n	QTY	Name
1	0.98308.50.3/10	1	coupling
2	04438079	1	seal ring kit



0_98308_50_3_10

DISTRIBUTOR

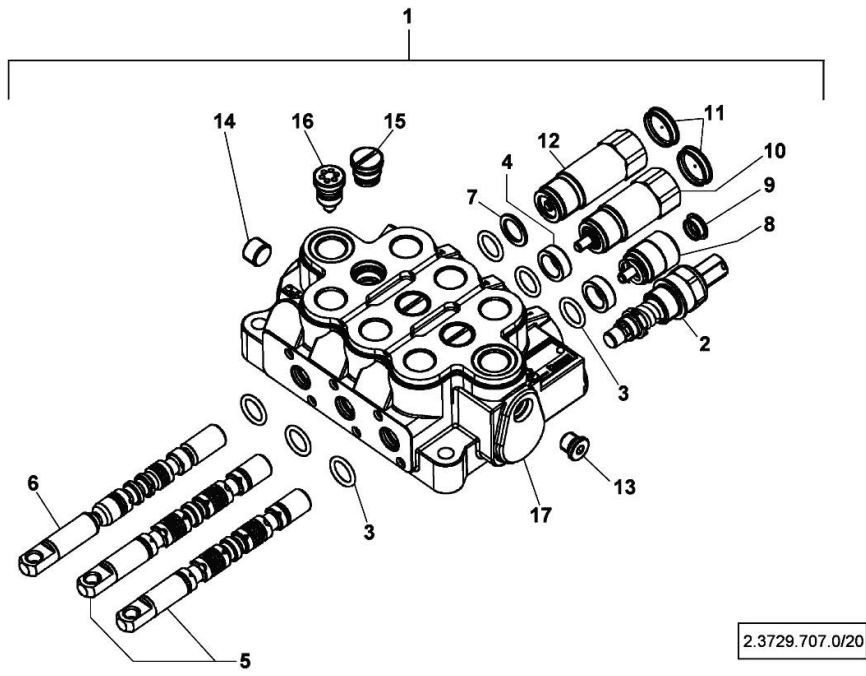
Fig.	P/n	QTY	Name
1	2.3729.706.0/20	1	spool valve
2	0.010.3601.2	1	valve
3	0.010.3605.2	4	special oil seal
4	0.010.3609.0	2	spacer
5	0.010.3608.1	2	slider
6	0.900.0806.6	1	connection
7	0.010.3610.1	1	plug
8	0.900.0019.5	1	sleeve
9	0.010.3610.0	1	plug
10	0.900.0020.4	1	plug
11	0.900.0020.5	1	plug
12	0.010.3615.1	2	valve
13	0.900.0020.7	1	valve
14	0.000.0000.1		cannot be supplied



2.3729.706.0/20

DISTRIBUTOR

Fig.	P/n	QTY	Name
1	2.3729.707.0/20	1	spool valve - BUCHER
2	0.010.3601.2	1	valve
3	0.010.3605.2	6	special oil seal
4	0.010.3609.0	2	spacer
5	0.010.3608.1	2	slider
6	0.900.0806.7	1	slider
7	0.900.0806.8	1	spacer
8	0.900.0019.5	1	sleeve
9	0.010.3610.0	1	plug
10	0.900.0806.6	1	connection
11	0.010.3610.1	2	plug
12	0.900.0806.9	1	connection
13	0.900.0020.4	1	plug
14	0.900.0020.5	1	plug
15	0.010.3615.1	3	valve
16	0.900.0301.9	1	plug
17	0.000.0000.1		cannot be supplied



Buy Now



Our support email:

ebooklibonline@outlook.com