

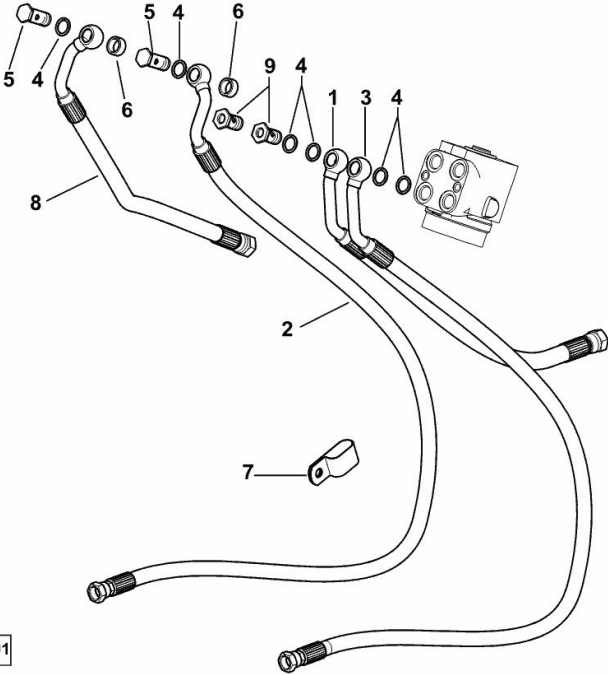
**PIPES FOR HYDROSTATIC STEERING**

Fig.	P/n	QTY	Name
------	-----	-----	------

**Notes:**

[Agrofarm 430 -> 5001]

1	0.014.9323.3	1	tube
2	0.014.9320.3/10	1	tube sx/lh/li
3	0.014.9322.3	1	tube dx/rh/re
4	2.1560.014.0	6	washer 18.2 x 24
5	2.3335.055.2	2	pipe union m 18 p.1.5
6	2.1569.201.0	2	gasket 18.2x24x10.5
7	0.011.4531.0	1	clamp
8	0.014.9321.3/10	1	tube
9	2.3335.008.2	2	pipe union m 18 p.1.5 x 32



9\_H1563\_00\_0-A-001

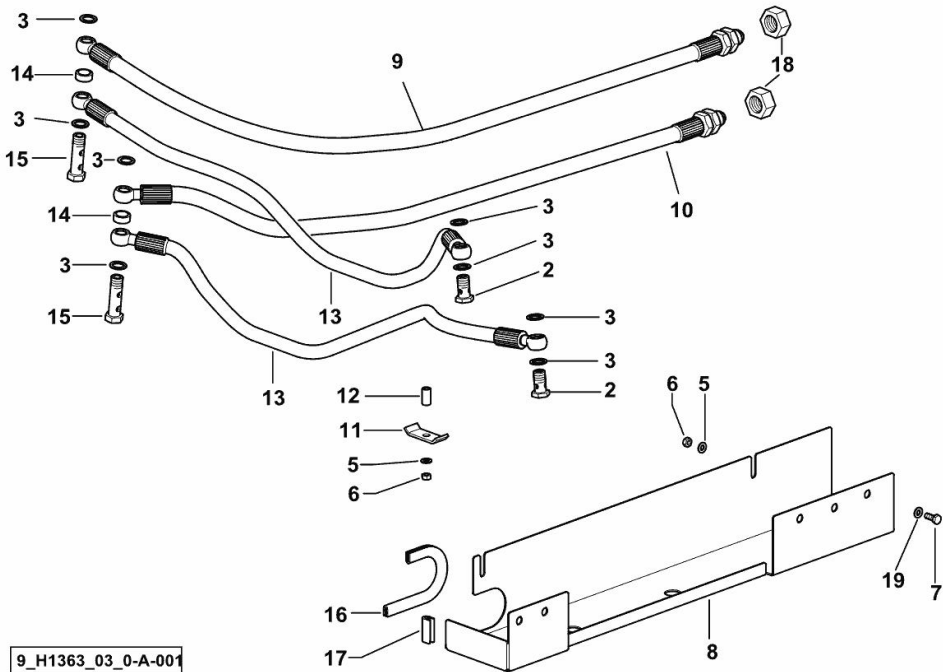
**4WD - POWER STEERING**

Fig.	P/n	QTY	Name
------	-----	-----	------

**Notes:**

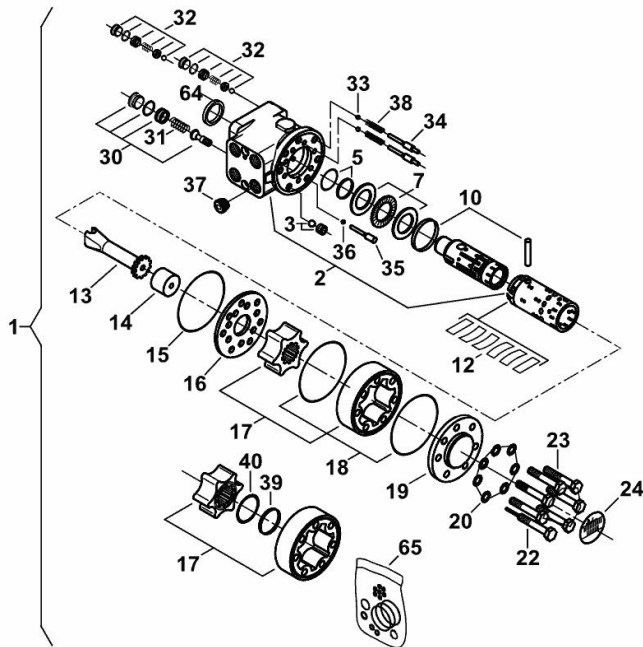
[Agrofarm 430 -> 5001]

2	2.3335.006.2	2	pipe union m 14 p.1.5X26
3	2.1560.010.0	8	gasket 14.2 x 20
5	2.1310.002.2	3	flat washer 6.4x12.5
6	2.1011.103.2	3	nut m 6 p.1
7	2.0112.204.2	3	screw m 8 p.1.25x14
8	0.011.0313.0/30	1	shield
9	0.011.2929.3/20	1	tube dx/rh/re
10	0.011.2930.3/10	1	tube sx/lh/li
11	0.011.0326.0	1	square
12	2.1549.428.2	1	spacer 6.2x10.2x19.5
13	0.011.2936.3	2	tube mm 760
14	2.1569.190.0	2	gasket 14x20x8
15	2.3339.551.2/10	2	pipe union m 14 p.1.5x51
16	0.011.5369.0/10	1	gasket mm 170
17	0.010.1398.0/10	1	gasket mm 30
18	2.1099.077.2	2	nut
19	2.1310.004.2	3	flat washer 8.4x17



9\_H1363\_03\_0-A-001

**HYDR. STEERING DISTRIBUTOR PARTS**



0\_010\_8555\_4

Fig.	P/n	QTY	Name
1	0.010.8555.4	1	hydrostatic DANFOSS - 125
2	0.000.0000.1	1	cannot be supplied
3	0.010.3889.0	1	valve
5	0.010.2590.2	1	seal ring kit
7	0.193.6378.0	1	special bearing
10	0.010.3889.1	1	accessories
12	0.010.3890.0	1	spring
13	0.010.3890.1	1	small shaft
14	0.010.3890.2	1	spacer
15	0.010.2589.1	1	special oil seal
16	0.010.2588.1	1	plate
17	0.010.3891.1	1	rotor w = 16.2
18	0.010.2589.2	2	special oil seal
19	0.009.4024.1	1	cover
20	0.010.2589.0	7	washer
22	0.010.3891.2	1	screw L = 68.5
23	0.010.3907.0	6	screw
24	0.010.2588.2	1	plate
30	0.290.6371.1	1	valve
31	0.290.6374.1	1	spring 110-155 bar
32	0.193.6380.4	2	valve
33	0.009.4019.1	2	ball mm 3.00
34	0.009.4020.1	2	pin
35	0.010.2591.1	1	pin
36	0.010.2591.0	1	ball
37	0.010.2591.2	1	valve m 18 x 1.5
38	0.010.2592.0	2	spring
39	0.010.2590.1	1	special oil seal
40	0.010.2590.0	1	special oil seal
64	0.010.2592.1	1	ring
65	0.010.3893.0	1	gasket set

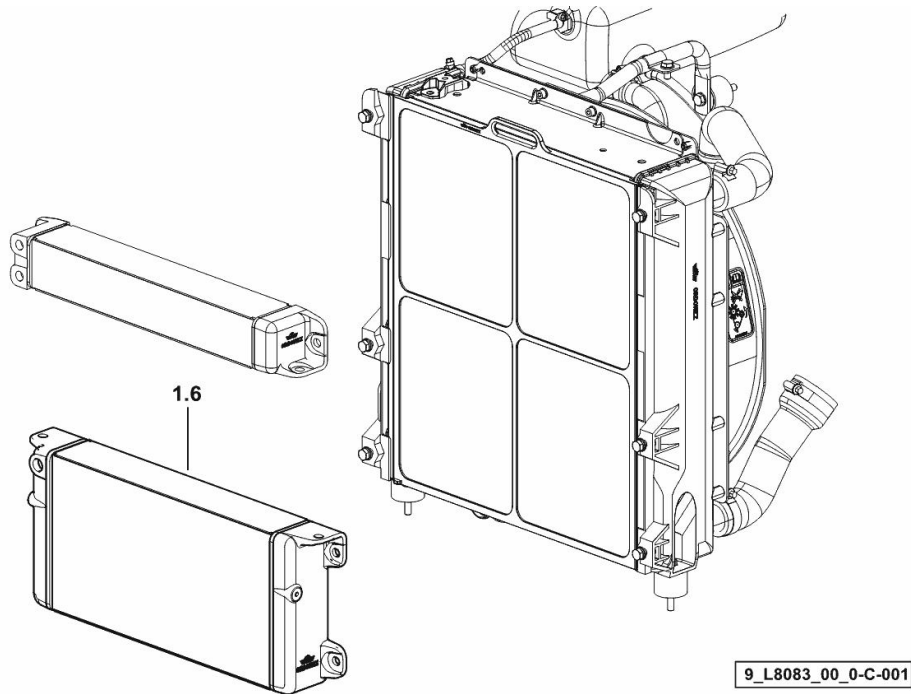
**GEARBOX OIL COOLER**

Fig.	P/n	QTY	Name
------	-----	-----	------

**Notes:**

[Agrofarm 430 -> 5001]

1.6	0.014.8033.3/10	1	oil cooler
-----	-----------------	---	------------

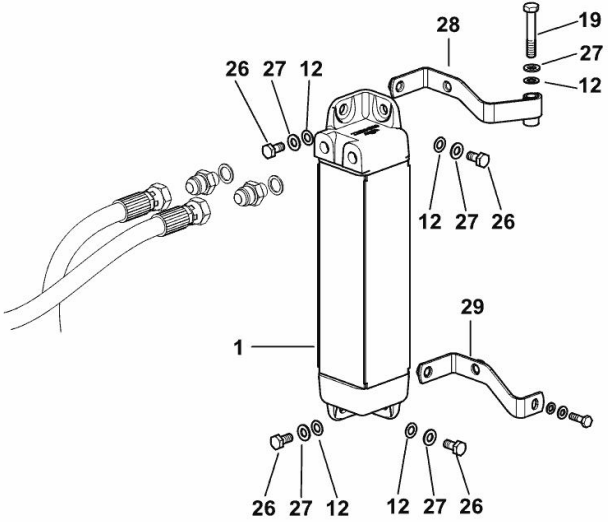


**FRONT P.T.O. OIL COOLER**

Fig.	P/n	QTY	Name
------	-----	-----	------

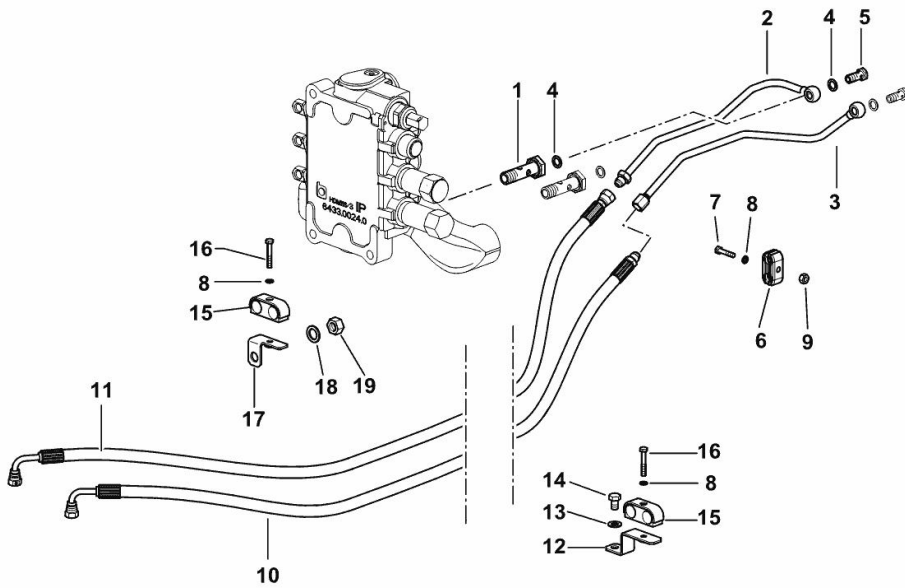
Notes:  
[Agrofarm 430 -> 5001]

1	0.015.5319.3	1	oil cooler
12	2.1470.004.2	10	lock washer 8
19	2.0112.219.2	1	screw m 8 p.1.25x55
26	2.0114.205.2	4	screw m 8 p.1.25 x 16
27	2.1310.004.2	5	flat washer 8.4x17
28	0.015.5324.3	1	bracket
29	0.015.5327.3	1	bracket



9\_J1559\_86\_0-A-001

**FRONT LIFT - HYDRAULIC SYSTEM**



9\_L7259\_82\_0-A-001

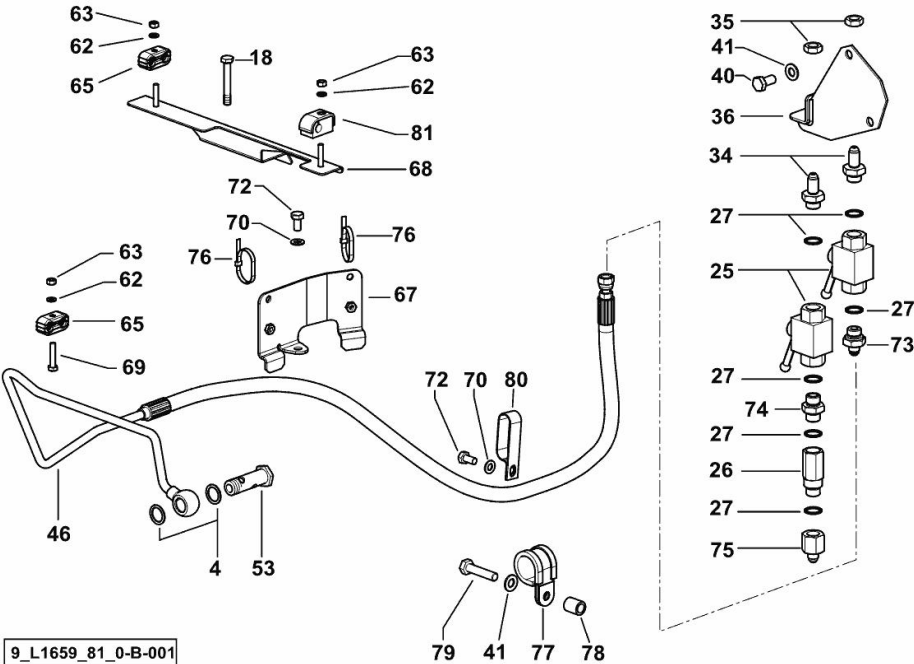
Fig.	P/n	QTY	Name
------	-----	-----	------

**Notes:**

[Agrofarm 430 -> 5001]

1	2.3249.157.2	2	pipe union
2	0.015.9317.3	1	tube
3	0.015.9318.3	1	tube
4	2.1560.008.0	4	gasket 12.2 x 18
5	2.3335.052.2	2	pipe union m 12 p.1.5
6	2.3321.007.0	1	collar Ø10/10
7	2.0112.011.2	1	screw m 6 p.1x30
8	2.1470.002.2	3	lock washer 6
9	2.1011.103.2	1	nut m 6 p.1
10	0.014.8272.3	1	tube
11	0.014.8270.3	1	tube
12	0.015.0827.3/10	1	bracket
13	2.1475.003.7	1	washer 10.5
14	2.0112.305.2	1	screw m 10 p.1.5 x 16
15	2.3320.321.0	2	terminal Ø 20/20
16	2.0112.015.2	2	screw m 6 p.1x40
17	0.015.0853.3/10	1	bracket
18	2.1475.005.2	1	washer 14
19	2.1011.208.2	1	nut m 14 p.2

FRONT LIFT - HYDRAULIC SYSTEM



9\_L1659\_81\_0-B-001

Fig.	P/n	QTY	Name
<b>Notes:</b>			
[Agrofarm 430 -> 5001]			
4	2.1560.014.0	14	washer 18.2 x 24
18	2.0112.220.2	2	screw m 8 p.1.25x55
25	0.009.0375.4/10	2	valve
26	2.3729.380.0	1	valve
27	2.1560.053.0	6	gasket 17 x 21
34	2.3339.612.2/20	2	pipe fitting MM G3/8" - 1/2"-20
35	2.1019.093.2	2	nut 1/2 - 20 UNF-2B
36	0.014.8248.2/20	1	support
40	2.0112.307.2	2	screw m 10 p.1.5 x 20
41	2.1310.006.2	3	flat washer 10.5x21
46	0.015.9647.3	1	tube
53	2.3339.932.2/10	2	pipe union m 18 p.1.5 x 60
62	2.1470.002.2	3	lock washer 6
63	2.1011.103.2	3	nut m 6 p.1
65	2.3321.007.0	3	collar Ø10/10
67	0.015.3076.0	1	bracket
68	0.014.8146.3/20	1	bracket
69	2.0112.011.2	1	screw m 6 p.1x30
70	2.1310.004.2	2	flat washer 8.4x17
72	2.0112.205.2	2	screw m 8 p.1.25 x 16
73	2.3261.107.2	1	pipe fitting 3/8 gas-1/2"
74	2.3339.869.2/10	1	pipe fitting 3/8" gas
75	2.3339.819.2	1	pipe fitting
76	2.6852.203.0	2	clamp 292 x 4.8
77	2.6839.057.0	1	clamp 30/25
78	2.1579.659.0	1	spacer
79	2.0112.317.2	1	screw m 10 p.1.5 x 45
80	0.011.0332.0	1	clamp
81	2.3320.103.0	1	collar Ø mm 10

**Buy Now**



Our support email:

[ebooklibonline@outlook.com](mailto:ebooklibonline@outlook.com)