

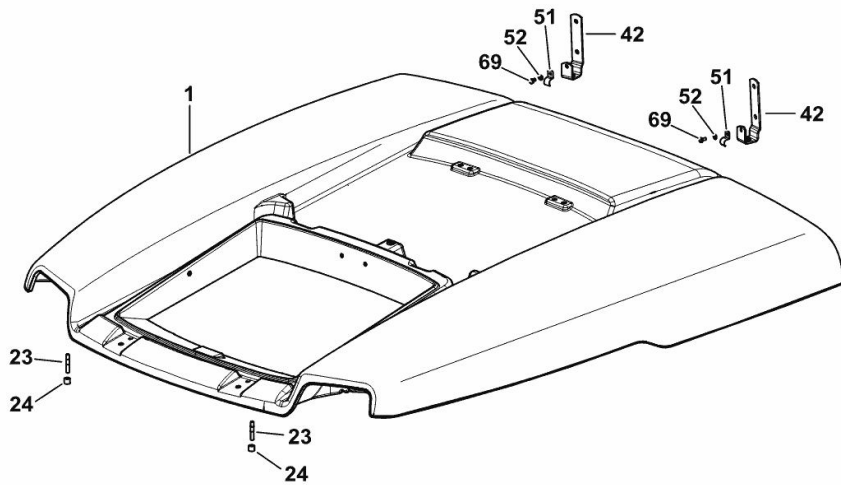
DRIVER'S CAB ROOF

Fig.	P/n	QTY	Name
------	-----	-----	------

Notes:

- "HIGH VISIBILITY" CAB WITH F.O.P.S. [AGROFARM 430 2WD -> ZKDW430100TD25001] - "HIGH VISIBILITY" CAB WITH F.O.P.S. [AGROFARM 430 4WD -> ZKDW430200TD25001]

1	0.015.1700.3/10	1	roof
23	2.0422.209.2	2	screw m 8 x 35
24	2.1579.450.2	2	spacer
42	0.015.2443.3	2	bracket
51	0.015.2442.0	2	clamp
52	2.1310.002.2	2	flat washer 6.4x12.5
69	2.0112.003.2	2	screw m 6 p.1 x 12



9_W7671_21_0-A-001

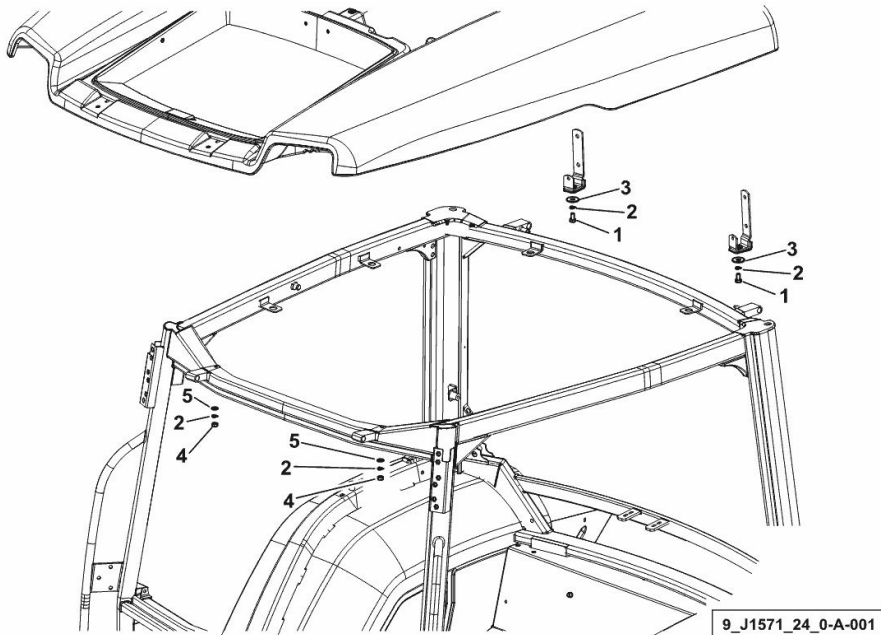
FASTENINGS

Fig.	P/n	QTY	Name
------	-----	-----	------

Notes:

- FOR "HIGH VISIBILITY" CAB [AGROFARM 430 2WD -> ZKDW430100TD25001] - FOR "HIGH VISIBILITY" CAB [AGROFARM 430 4WD -> ZKDW430200TD25001]

1	2.0112.205.2	2	screw m 8 p.1.25 x 16
2	2.1481.007.2	4	washer 8
3	2.1579.520.2	2	washer 10.5x30x3
4	2.1011.105.2	2	nut m 8 p.1.25
5	2.1310.004.2	2	flat washer 8.4x17

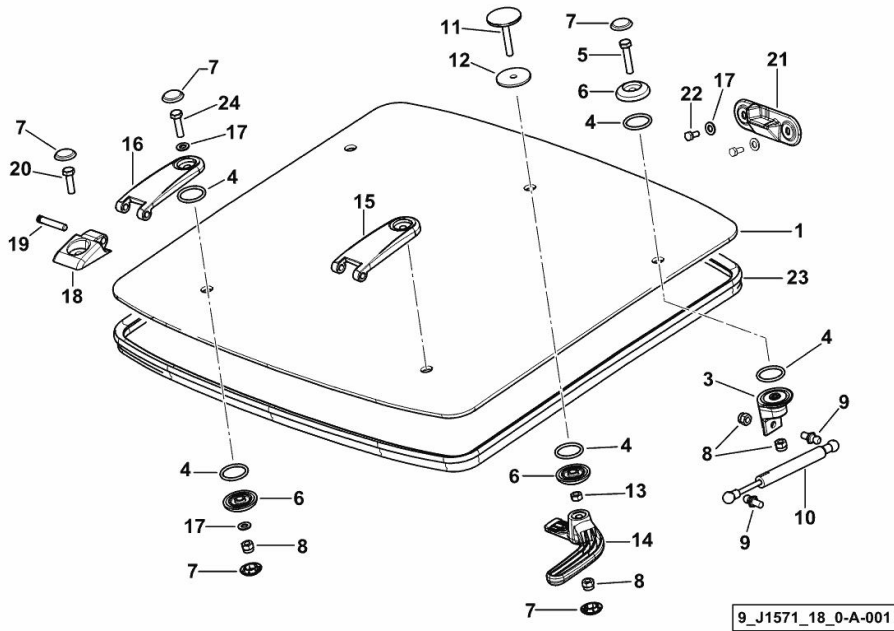


SKYLIGHT WITH GLASS

Fig.	P/n	QTY	Name
------	-----	-----	------

Notes:

- FOR "HIGH VISIBILITY" CAB [AGROFARM 430 2WD -> ZKDW430100TD25001] - FOR "HIGH VISIBILITY" CAB [AGROFARM 430 4WD -> ZKDW430200TD25001]



1	0.011.1010.0/20	1	cover
3	0.010.7738.0/10	2	support
4	2.1530.078.0	9	oil seal 29.74x3.53
5	2.0112.215.2	2	screw m 8 p.1.25 x 40
6	04411716	5	washer
7	04413793	9	cap
8	2.1120.005.2	7	nut m 8 p.1.25
9	04399070	4	ball joint
10	04414159	2	shock absorber
11	0.010.7736.2	1	screw
12	0.010.7737.0	1	gasket
13	2.1011.105.2	1	nut m 8 p.1.25
14	0.010.6477.0	1	handle
15	0.010.6479.0	1	hinge sx/lh/li
16	0.010.7525.0	1	hinge dx/rh/re
17	2.1310.004.2	6	flat washer 8.4x17
18	0.010.6480.0	2	hinge
19	2.1699.486.2	2	pin
20	2.0112.210.2	2	screw m 8 p.1.25 x 28
21	0.011.1318.0/10	1	stop
22	2.0112.004.2	2	screw m 6 p.1 x 14
23	0.011.1290.0	1	gasket
24	2.0112.211.2	2	screw m 8 p.1.25 x 30

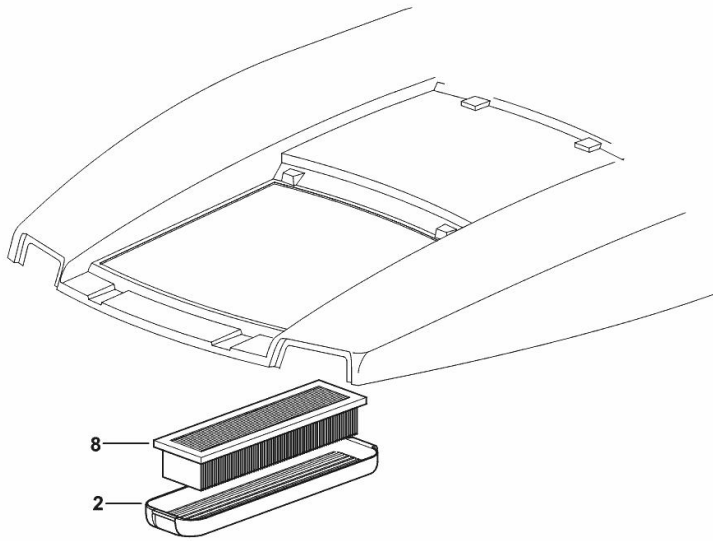
SPIN-ON FILTER

Fig.	P/n	QTY	Name
------	-----	-----	------

Notes:

- FOR "HIGH VISIBILITY" CAB [AGROFARM 430 2WD -> ZKDW430100TD25001] - FOR "HIGH VISIBILITY" CAB [AGROFARM 430 4WD -> ZKDW430200TD25001]

2	0.010.5293.0/10	2	front grille
8	0.010.5365.2/20	2	air filter element



9_L1671_80_0-A-001

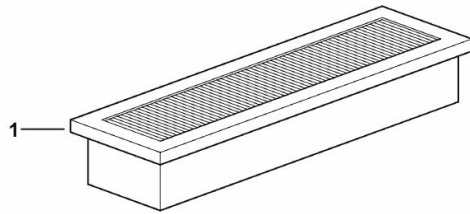
CARBON FILTER

Fig.	P/n	QTY	Name
------	-----	-----	------

Notes:

- FOR TYPES WITH "HIGH VISIBILITY" [AGROFARM 430 2WD -> ZKDW430100TD25001] - FOR TYPES WITH "HIGH VISIBILITY" [AGROFARM 430 4WD -> ZKDW430200TD25001]

1	0.011.0085.2/10	2	air filter element
---	-----------------	---	--------------------



9_68471_28_0-A-001

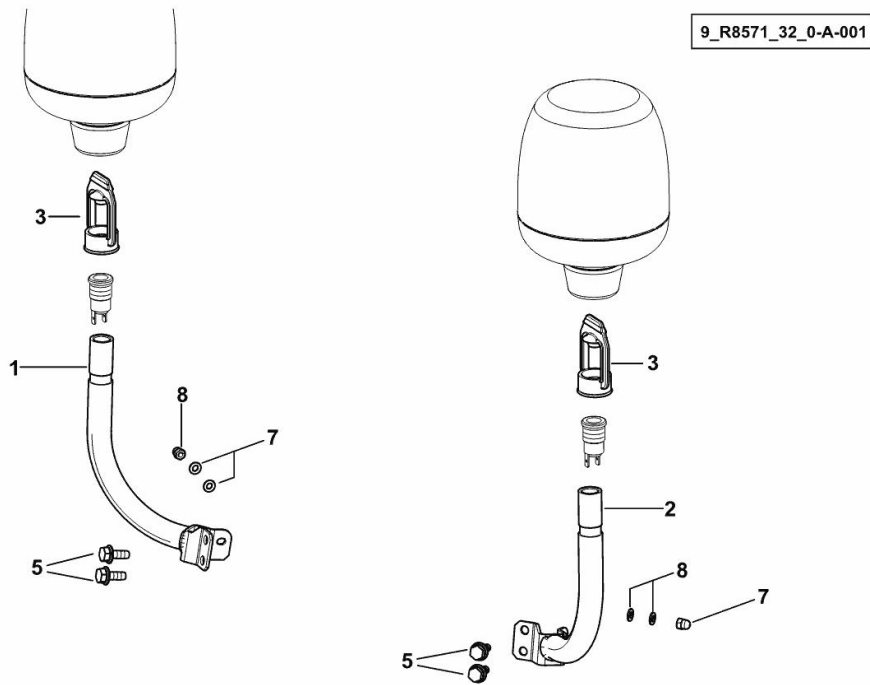
FLASHING LIGHT SUPPORT

Fig.	P/n	QTY	Name
------	-----	-----	------

Notes:

[AGROFARM 430 2WD -> ZKDW430100TD25001] 25452 <- [AGROFARM 430 4WD -> ZKDW430200TD25001] 25452 <-

1	0.018.2644.3	1	support dx/rh/re
2	0.018.2647.3	1	support sx/lh/li
3	0.009.6650.0	2	cap
5	2.0365.307.3	4	screw m 8 p.1.25 x 20
7	2.1310.002.3	4	flat washer 6.4 x 12 x 1.6
8	2.1030.001.7	2	nut m 6



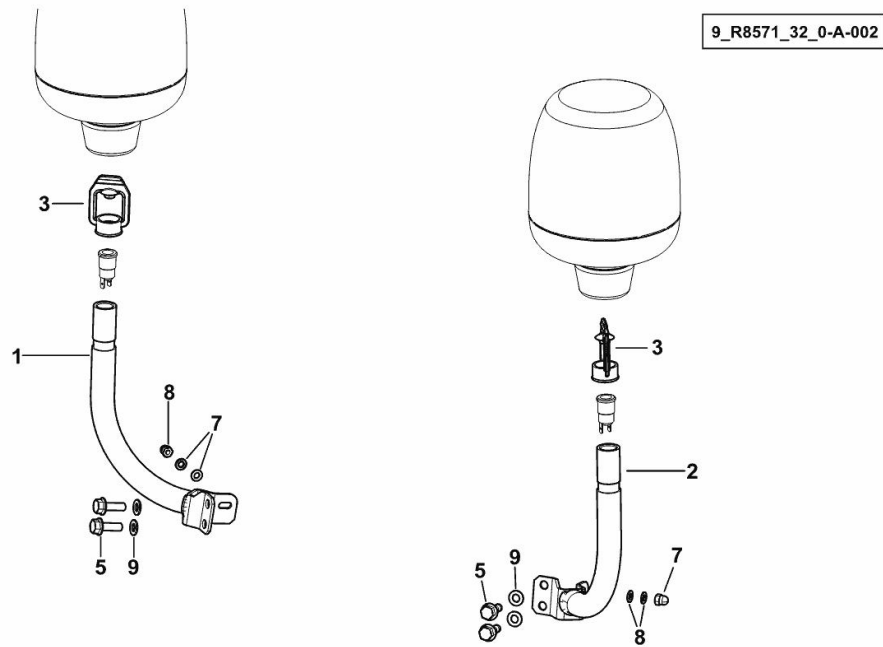
FLASHING LIGHT SUPPORT

Fig.	P/n	QTY	Name
------	-----	-----	------

Notes:

[AGROFARM 430 2WD -> ZKDW430100TD25001] -> 25441 [AGROFARM 430 4WD -> ZKDW430200TD25001] -> 25441

1	0.018.2644.3/10	1	support dx/rh/re
2	0.018.2647.3/10	1	support sx/lh/li
3	0.009.6650.0	2	cap
5	2.0365.308.3	4	screw m 8 x 25
7	2.1310.002.3	4	flat washer 6.4 x 12 x 1.6
8	2.1030.001.7	2	nut m 6
9	2.1310.004.3	4	washer 8.4x17



Buy Now



Our support email:

ebooklibonline@outlook.com