

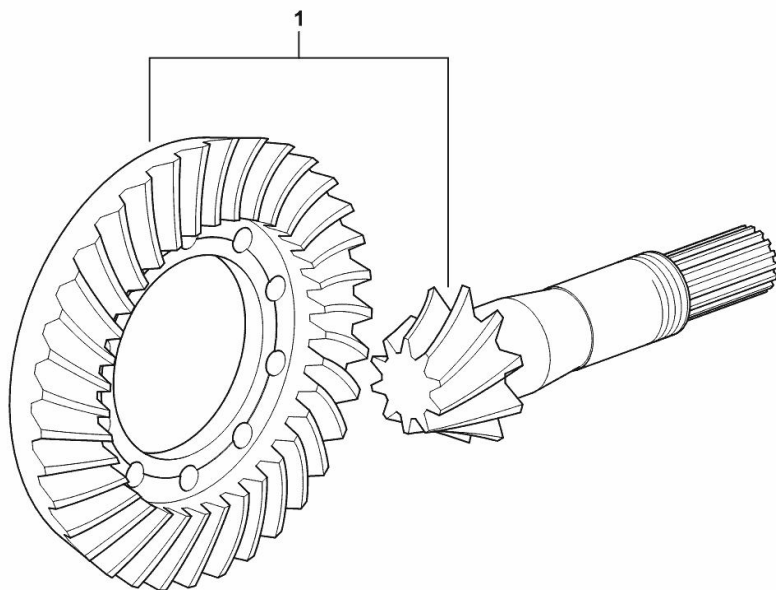
4WD - BEVEL WHEEL GEAR Z = 10 / Z = 35

Fig.	P/n	QTY	Name
------	-----	-----	------

Notes:

[AGROFARM 430 G 4WD -> 35001]

1	0.010.0970.3/50	1	bevel drive Z = 10 / Z = 35
---	-----------------	---	-----------------------------



9_62046_02_0-A-001

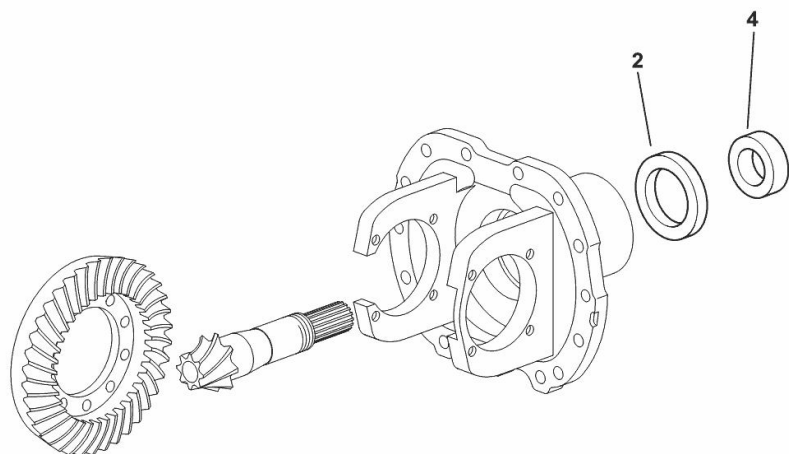
DIFFERENTIAL SEAL RINGS

Fig.	P/n	QTY	Name
------	-----	-----	------

Notes:

[AGROFARM 430 G 4WD -> 35001] 35081 <-

2	2.1529.007.0/10	1	special oil seal 58 x 80 x 13
4	0.255.4650.0	1	spacer 35 x 58 x 19



9_62346_01_0-A-001

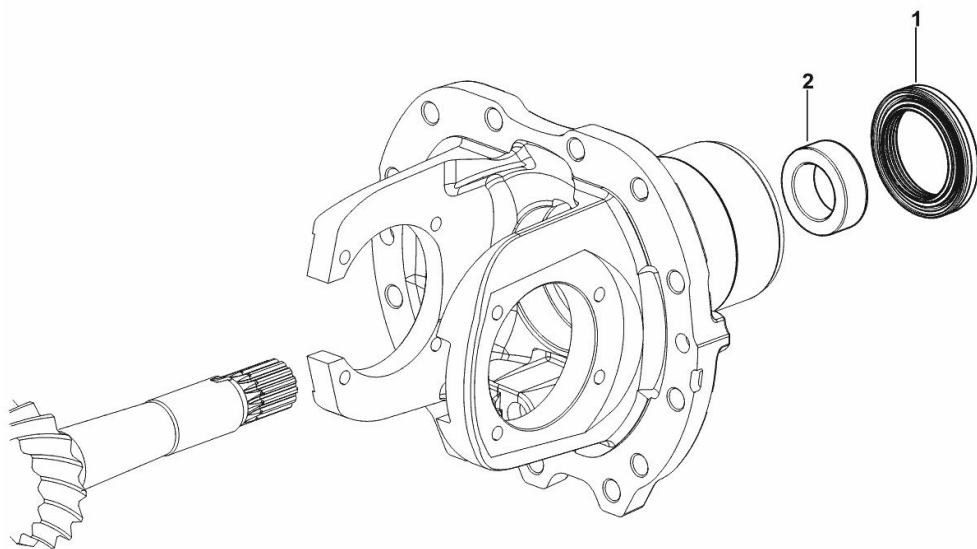
4WD - FRONT DIFFERENTIAL LOCK- STANDARD SEALING

Fig.	P/n	QTY	Name
------	-----	-----	------

Notes:

[AGROFARM 430 G 4WD -> 35001] -> 35082

1	2.1529.149.0	1	special oil seal 55 x 80 x 12.5
2	2.1549.459.0	1	spacer 35x55x19



9_Y6946_01_0-B-001

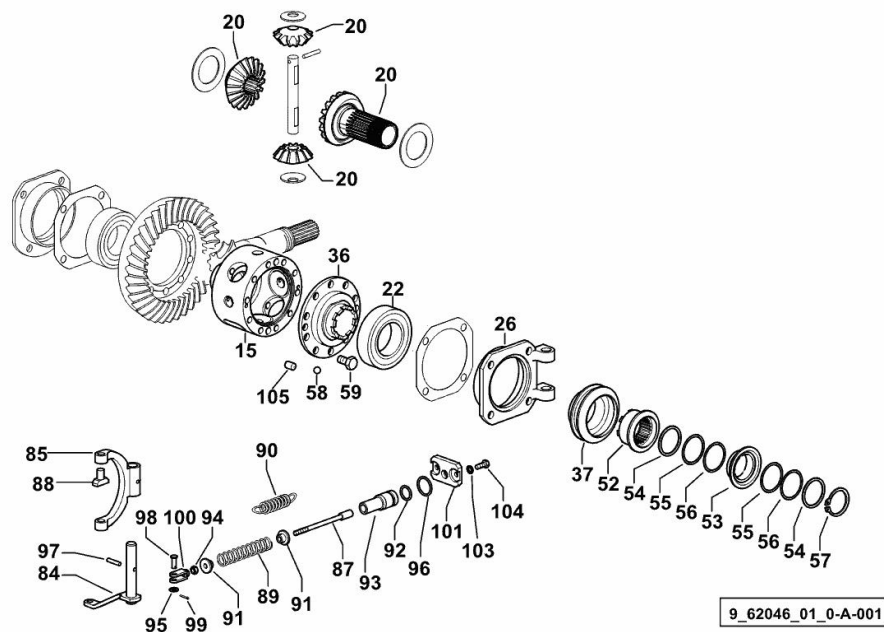
4WD - FRONT DIFFERENTIAL

Fig.	P/n	QTY	Name
------	-----	-----	------

Notes:

[AGROFARM 430 G 4WD -> 35001]

15	0.013.6062.0/40	1	differential carrier (-> 35001)
20	0.013.6076.3/20	1	crown wheel (-> 35001)
			4 PLANET PINIONS
22	2.2520.011.0	1	roller bearing 50x90x21.75
26	0.467.4650.0/30	1	flange
36	0.255.4615.0/40	1	flange
37	0.255.4617.0	1	sleeve
52	0.255.4618.0/10	1	sleeve
53	0.255.4619.0/10	1	spacer (-> 35001)
54	2.1599.317.0/10	2	shim 38 x 44.50 x 2 (-> 35001)
55	2.1580.130.0	4	shim 38.5 x 44.50 x 0.5
56	2.1580.131.0	4	shim 38.5 x 44.50 x 0.2
57	2.1412.014.7	1	circlip 38x2.5 (-> 35001)
58	2.2810.006.0	17	ball 3/8"
59	2.0139.002.1	10	screw m 10 p.1.25 x 20
84	0.007.2705.2/10	1	lever
85	0.467.4657.0/10	1	fork
87	0.467.4659.0/10	1	ferrule
88	0.467.4660.0	2	shoe
89	2.4019.397.2	1	spring
90	2.4049.184.2	1	spring 12.4x18x2.8x56
91	0.272.4651.0	2	spacer
92	2.1530.043.0	1	oil seal 17.13x2.62
93	0.007.6282.0/30	1	piston
94	2.1011.103.2	1	nut m 6 p.1
95	2.1310.002.2	1	flat washer 6.4x12.5
96	2.1530.062.0	1	oil seal 23.81 x 2.62
97	2.1630.511.0	1	roll pin 5x24
98	2.1671.103.2	1	pin 6x18
99	2.1690.205.2	1	split pin 2x12
100	2.3510.003.2	1	fork m 6
101	0.009.7877.0/10	1	small plate
103	2.1470.002.2	2	lock washer 6
104	2.0112.005.2	2	screw m 6 p.1 x 16
105	2.1659.523.0	4	pin 10 x 16

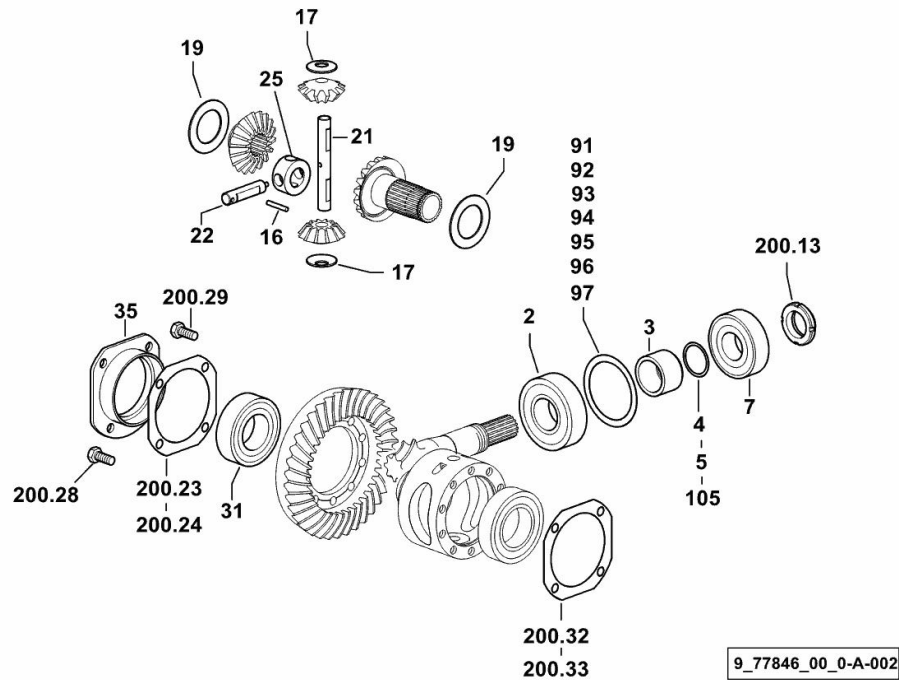


4WD - FRONT DIFFERENTIAL

Fig.	P/n	QTY	Name
------	-----	-----	------

Notes:

[AGROFARM 430 G 4WD -> 35001]



2	2.2560.006.0	1	roller bearing 40 x 90 x 25.25
3	0.010.1045.0	1	spacer mm 37
4	2.1580.101.0	2	shim 36 x 43 x 0.2
5	2.1580.102.0	3	shim 36 x 43 x 0.5
7	2.2560.005.0	1	roller bearing 35 x 80 x 22.75
16	2.1631.418.0	2	pin 5 x 45
17	0.255.4629.0	4	shoulder ring 15.5x36x2
19	2.1599.431.0	2	shoulder ring 42x66x2
21	0.013.6067.0	1	pin
22	0.013.6068.0	2	pin
25	0.013.6070.0	1	ring
31	2.2540.005.0	1	roller bearing 45 x 85 x 24.75
35	0.255.4652.0/20	1	flange
91	2.1589.356.0	1	shoulder ring 73x89.5x0.6
92	2.1589.357.0	0.3	shoulder ring 73x89.5x0.7
93	2.1589.358.0	0.3	shoulder ring 73x89.5x0.8
94	2.1589.359.0	0.3	shoulder ring 73x89.5x0.9
95	2.1589.360.0	0.3	shoulder ring 73x89.5x1.65
96	2.1589.361.0	0.3	shoulder ring 73x89.5x1.75
97	2.1589.362.0	0.3	shoulder ring 73x89.5x1.85
105	2.1580.109.0	2	shim 36x43x0.15
200.13	2.1214.108.7	1	ring nut m 35 p.1.5 SX
200.23	0.445.4656.0/10	2	shim 92x127x0.2
200.24	0.445.4655.0/10	2	shim 92x127x0.5
200.28	2.0132.207.2	8	screw m 10 p.1 x 25
200.29	2.0139.025.1	10	screw m 10 p.1.25 x 25
200.32	0.146.4653.0/10	4	shim 96x127x0.2
200.33	0.146.4654.0/10	4	shim 96x127x0.5

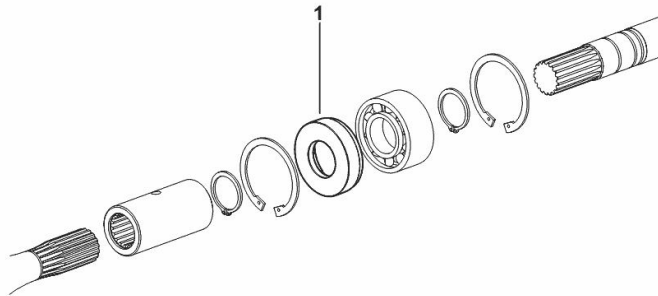
4WD - TRANSMISSION SHAFT - WITH STANDARD SEALS

Fig.	P/n	QTY	Name
------	-----	-----	------

Notes:

[AGROFARM 430 G 4WD -> 35001]

1	0.014.3406.0	1	bushing
---	--------------	---	---------



9_B7826_02_0-A-001

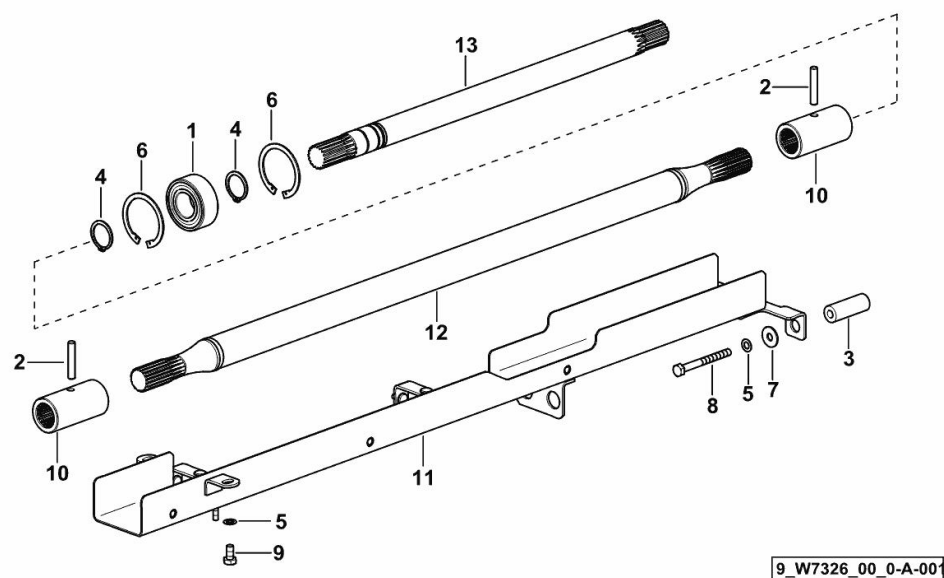
4WD - PROPELLER SHAFT

Fig.	P/n	QTY	Name
------	-----	-----	------

Notes:

[AGROFARM 430 G 4WD -> 35001]

1	2.2999.008.0	1	special bearing 30x62x23.8
2	2.1631.718.0	2	roll pin 8 x 45
3	2.1549.452.2/10	2	spacer 9x20x55
4	2.1499.528.1	2	circlip 30
5	2.1470.004.2	4	lock washer 8
6	2.1411.025.1	2	circlip 62
7	2.1312.004.2	2	washer 8x24x2
8	2.0112.225.2	2	screw m 8 p.1.25 x 80
9	2.0112.205.2	2	screw m 8 p.1.25 x 16
10	0.255.2617.0/10	2	sleeve
11	0.019.2054.3/20	1	shield
12	0.019.1513.2/10	1	shaft mm 988.5
13	0.015.0155.0	1	transmission shaft mm 563



Buy Now



Our support email:

ebooklibonline@outlook.com