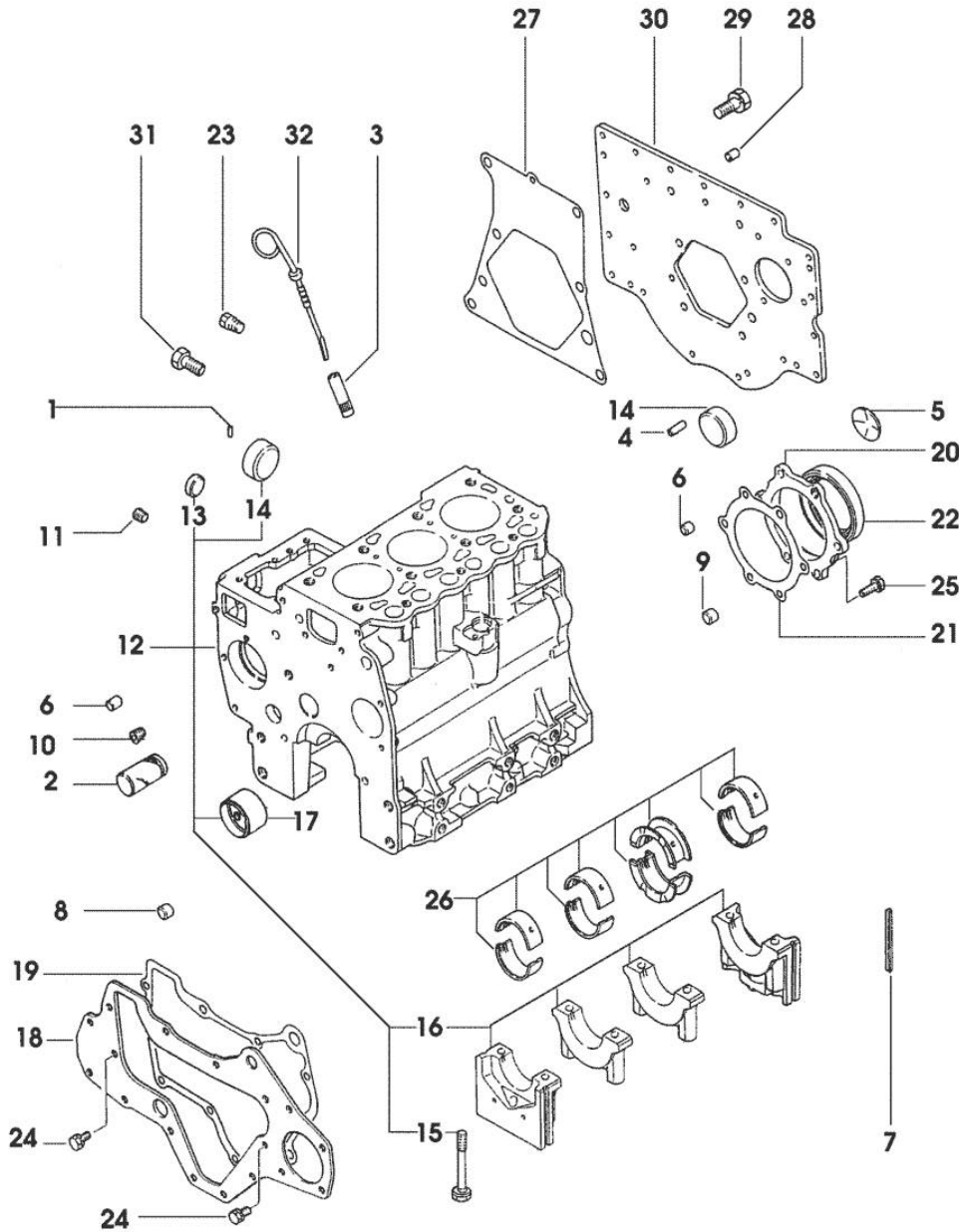


Section: ENGINE

CRANKCASE



531 - 1

| Fig. | P/n | QTY | Name |
|------|-----|-----|------|
|------|-----|-----|------|

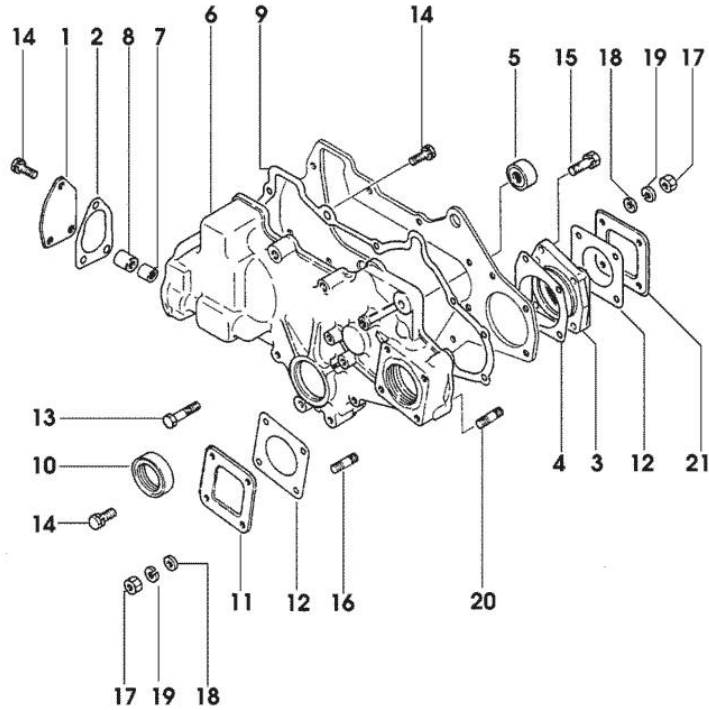
Notes:
[Agrokid 25]

| | | | |
|----|-----------------|---|-----------------------------|
| 1 | 0.009.4523.0 | 2 | pin |
| 2 | 0.009.4523.1 | 1 | shaft |
| 3 | 0.009.4523.2 | 1 | guide |
| 4 | 0.009.4524.0 | 1 | pin |
| 5 | 0.009.4524.1 | 1 | expansion plug |
| 6 | 0.009.4524.2 | 2 | special bushing |
| 7 | 0.009.4525.0 | 4 | gasket |
| 8 | 0.009.4525.1 | 2 | special bushing |
| 9 | 0.009.4525.2 | 1 | special bushing |
| 10 | 0.009.4526.0 | 1 | plug |
| 11 | 0.009.4526.1 | 2 | plug |
| 12 | 0.009.4755.4 | 1 | crankcase |
| 13 | 0.009.4527.0 | 2 | plug |
| 14 | 0.009.4527.1 | 3 | plug |
| 15 | 0.009.4527.2 | 8 | screw |
| 16 | 0.000.0000.1 | | cannot be supplied |
| 17 | 0.009.4528.0 | 1 | special bushing |
| 18 | 0.009.4528.1 | 1 | plate |
| 19 | 0.009.4528.2 | 1 | gasket |
| 20 | 0.009.4529.0 | 1 | flange |
| 21 | 0.009.4529.1 | 1 | gasket |
| 22 | 0.009.4529.2 | 1 | special oil seal |
| 23 | 0.009.4530.0 | 1 | plug |
| 24 | 0.009.4530.1 | 3 | screw |
| 25 | 0.009.4530.2 | 6 | screw |
| 26 | 0.009.4754.0 | 1 | main half bushing STANDARD |
| 26 | 0.009.4754.1 | 1 | main half bushing - mm 0.25 |
| 26 | 0.009.4754.2 | 1 | main half bushing - mm 0.50 |
| 26 | 0.009.4754.3 | 1 | main half bushing - mm 0.75 |
| 27 | 0.009.4532.1 | 1 | gasket |
| 28 | 0.009.4532.2 | 1 | pin |
| 29 | 0.009.4533.0 | 6 | screw |
| 30 | 0.008.6506.0/40 | 1 | plate |
| 31 | 0.009.4533.1 | 4 | screw |
| 32 | 0.009.4533.2 | 1 | level indicator |

Section: ENGINE
TIMING CASE

| Fig. | P/n | QTY | Name |
|------|-----|-----|------|
|------|-----|-----|------|

Notes:
[Agrokid 25]



| | | | |
|----|--------------|---|-----------------|
| 1 | 0.009.4534.0 | 1 | cover |
| 2 | 0.009.4534.1 | 1 | gasket |
| 3 | 0.009.4534.2 | 1 | flange |
| 4 | 0.009.4535.0 | 1 | gasket |
| 5 | 0.009.4535.1 | 1 | plug |
| 6 | 0.009.4535.2 | 1 | distr. box |
| 7 | 0.009.4536.0 | 1 | special bearing |
| 8 | 0.009.4536.1 | 1 | special bearing |
| 9 | 0.009.4536.2 | 1 | gasket |
| 10 | 0.009.4537.0 | 1 | gasket |
| 11 | 0.009.4537.1 | 1 | cover |
| 12 | 0.009.4537.2 | 2 | gasket |
| 13 | 0.009.4538.0 | 8 | screw |
| 14 | 0.009.4530.1 | 9 | screw |
| 15 | 0.009.4538.1 | 1 | screw |
| 16 | 0.009.4538.2 | 1 | stud bolt |
| 17 | 0.009.4539.0 | 4 | nut |
| 18 | 0.009.4539.1 | 4 | flat washer |
| 19 | 0.009.4539.2 | 4 | spring washer |
| 20 | 0.009.4540.0 | 3 | stud bolt |
| 21 | 0.009.4756.0 | 1 | cover |

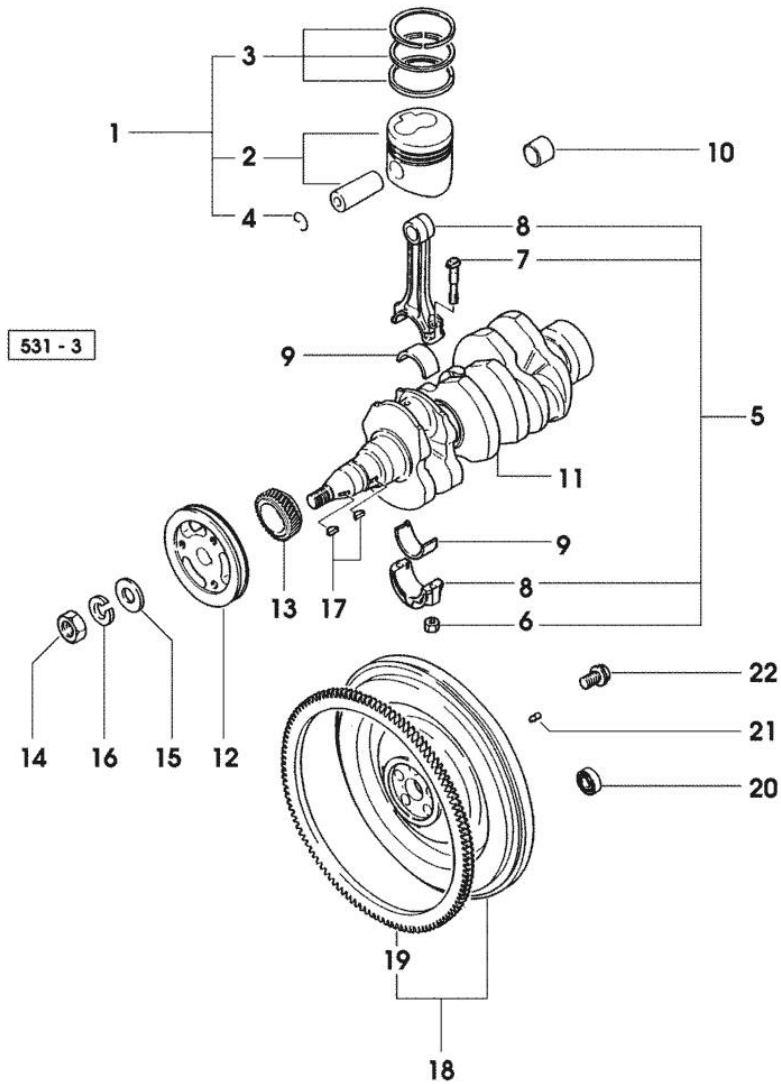
531 - 2

Section: ENGINE
CRANKSHAFT

| Fig. | P/n | QTY | Name |
|------|-----|-----|------|
|------|-----|-----|------|

Notes:
 [Agrokid 25]

| | | | |
|----|--------------|---|--------------------------------|
| 1 | 0.361.0060.6 | 3 | complete piston STANDARD |
| 1 | 0.361.0061.6 | 3 | complete piston + mm 0.25 |
| 1 | 0.361.0062.6 | 3 | complete piston + mm 0.50 |
| 2 | 0.000.0000.1 | | cannot be supplied |
| 3 | 0.361.0052.6 | 3 | piston ring set STANDARD |
| 3 | 0.361.0053.6 | 3 | piston ring set + mm 0.25 |
| 3 | 0.361.0054.6 | 3 | piston ring set + mm 0.50 |
| 4 | 0.009.4550.1 | 6 | circlip |
| 5 | 0.009.4550.4 | 3 | engine connecting rod |
| 6 | 0.009.4551.0 | 6 | nut |
| 7 | 0.009.4551.1 | 6 | screw |
| 8 | 0.000.0000.1 | | cannot be supplied |
| 9 | 0.009.4551.2 | 3 | con.rod half bushing STANDARD |
| 9 | 0.009.4552.0 | 3 | con.rod half bushing - mm 0.25 |
| 9 | 0.009.4552.1 | 3 | con.rod half bushing - mm 0.50 |
| 9 | 0.009.4552.2 | 3 | con.rod half bushing - mm 0.75 |
| 10 | 0.009.4553.0 | 3 | special bushing |
| 11 | 0.009.4756.1 | 1 | crankshaft |
| 12 | 0.009.4756.2 | 1 | pulley |
| 13 | 0.009.4554.0 | 1 | gear |
| 14 | 0.009.4554.1 | 1 | nut |
| 15 | 0.009.4554.2 | 1 | flat washer |
| 16 | 0.009.4555.0 | 1 | spring washer |
| 17 | 0.009.4555.1 | 2 | key |
| 18 | 0.009.4555.4 | 1 | flywheel |
| 19 | 0.009.4556.0 | 1 | crown wheel |
| 20 | 0.009.4556.1 | 1 | special bearing |
| 21 | 0.009.4556.2 | 3 | pin |
| 22 | 0.009.4557.0 | 5 | screw |



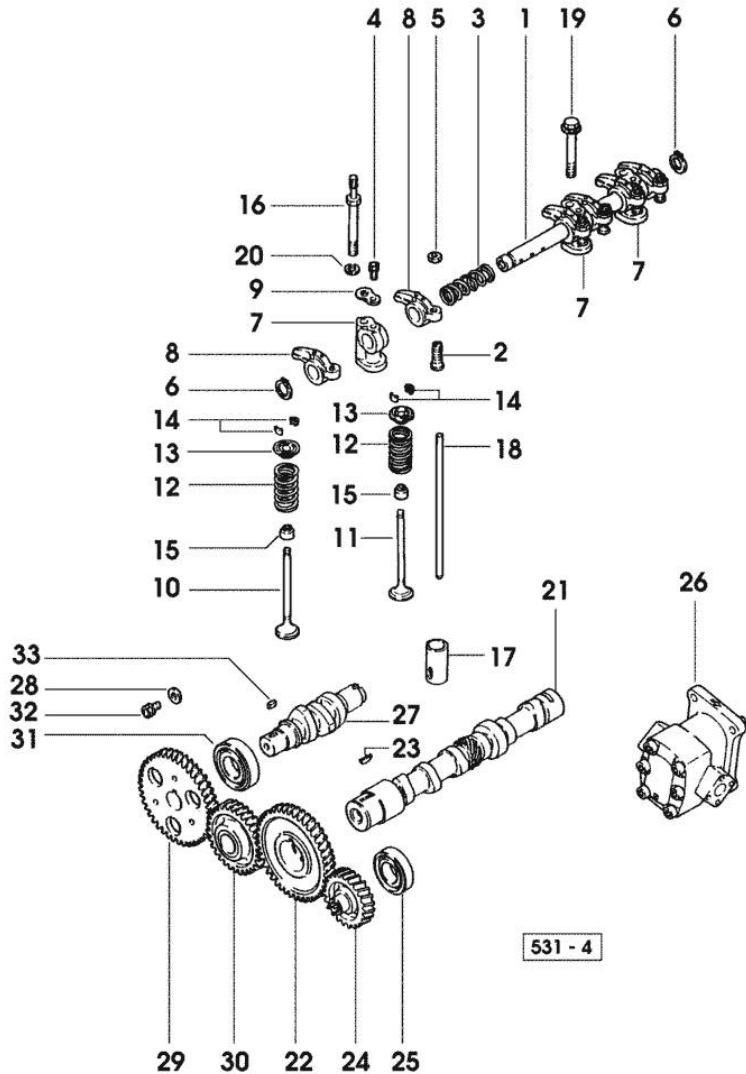
Section: ENGINE

CAMSHAFT

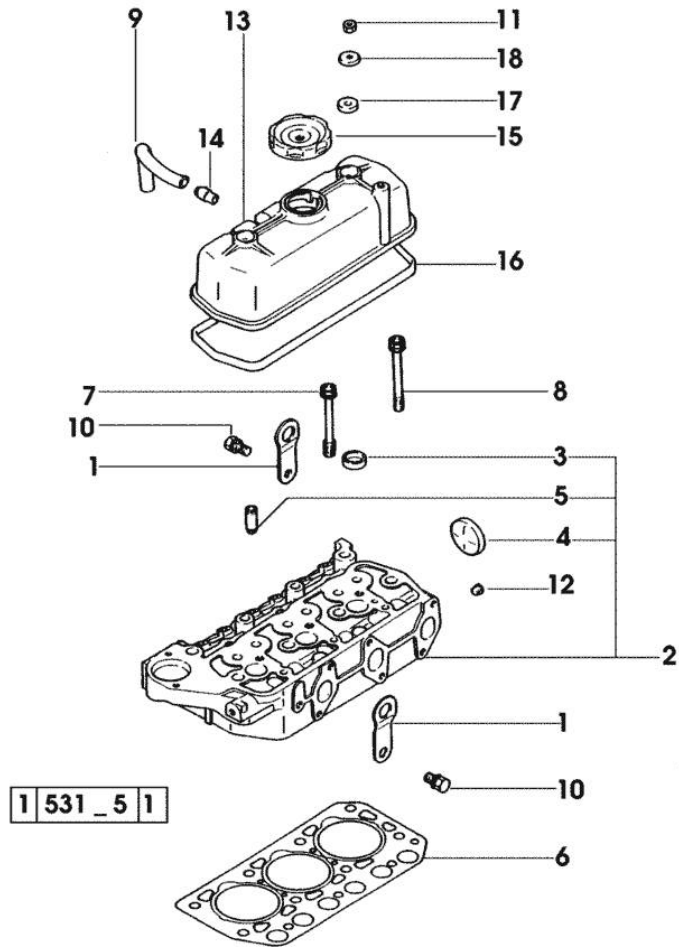
| Fig. | P/n | QTY | Name |
|------|-----|-----|------|
|------|-----|-----|------|

Notes:
[Agrokid 25]

| | | | |
|----|--------------|----|------------------------|
| 1 | 0.009.4757.0 | 1 | shaft |
| 2 | 0.009.4557.2 | 6 | screw |
| 3 | 0.009.4558.0 | 2 | spring |
| 4 | 0.009.4558.1 | 2 | screw |
| 5 | 0.009.4558.2 | 6 | self-locking nut |
| 6 | 0.009.4559.0 | 2 | ring |
| 7 | 0.009.4559.1 | 3 | support |
| 8 | 0.009.4559.2 | 6 | rocker arm |
| 9 | 0.009.4560.0 | 2 | washer |
| 10 | 0.009.4560.1 | 3 | inlet valve Ø mm 6.5 |
| 11 | 0.009.4560.2 | 3 | exhaust valve Ø mm 6.5 |
| 12 | 0.009.4561.0 | 6 | spring |
| 13 | 0.009.4561.1 | 6 | cup |
| 14 | 0.009.4561.2 | 12 | stop |
| 15 | 0.009.4562.0 | 6 | gasket |
| 16 | 0.009.4562.1 | 2 | screw |
| 17 | 0.009.4562.2 | 6 | tappets |
| 18 | 0.009.4563.0 | 6 | rod |
| 19 | 0.009.4563.1 | 1 | screw |
| 20 | 0.009.4563.2 | 2 | washer |
| 21 | 0.009.4757.1 | 1 | camshaft |
| 22 | 0.009.4564.1 | 1 | gear |
| 23 | 0.009.4555.1 | 1 | key |
| 24 | 0.009.4564.2 | 1 | gear |
| 25 | 0.009.4565.0 | 2 | special bearing |
| 26 | 0.008.6956.4 | 1 | oil pump |
| 27 | 0.009.4757.2 | 1 | injection pump shaft |
| 28 | 0.009.4566.0 | 1 | washer |
| 29 | 0.009.4566.1 | 1 | gear |
| 30 | 0.009.4566.2 | 1 | gear |
| 31 | 0.009.4567.0 | 1 | special bearing |
| 32 | 0.009.4567.1 | 1 | screw |
| 33 | 0.009.4567.2 | 1 | stick |



Section: ENGINE
CYLINDER HEAD

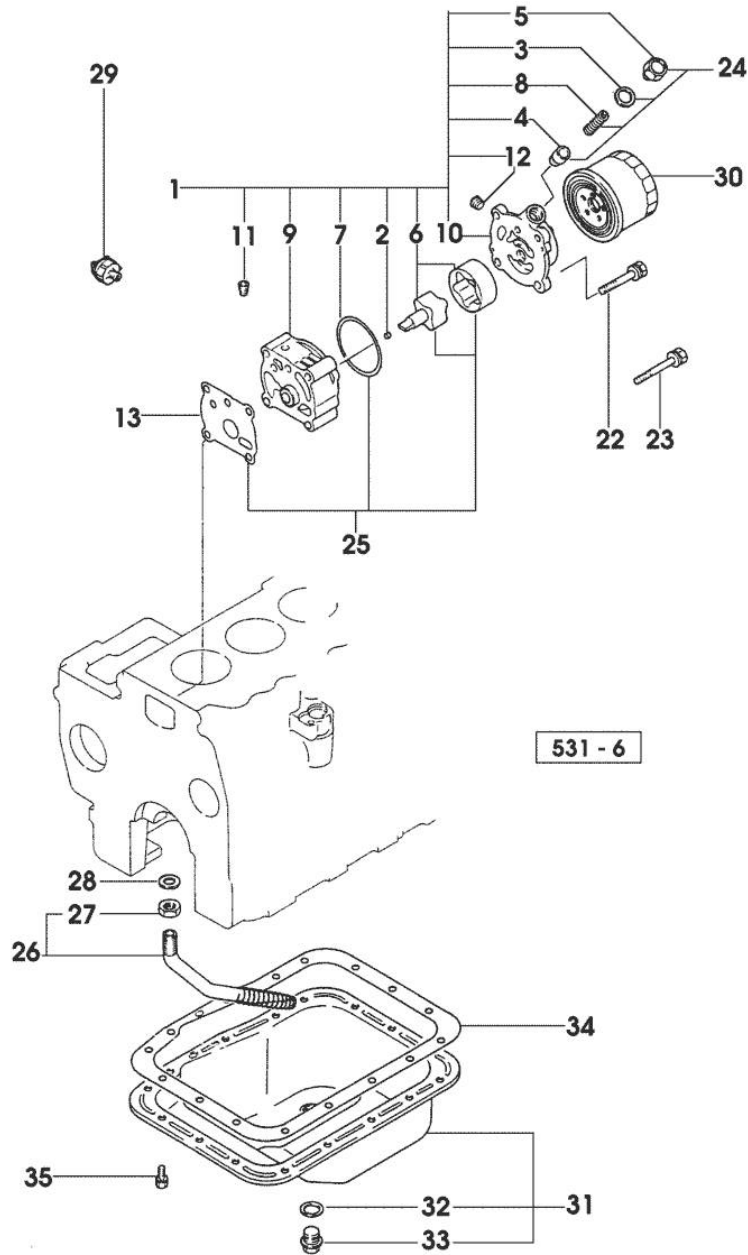


| Fig. | P/n | QTY | Name |
|------|-----|-----|------|
|------|-----|-----|------|

Notes:
 [Agrokid 25]

| | | | |
|----|-----------------|---|---------------------|
| 1 | 0.009.4541.2 | 2 | bracket |
| 2 | 0.009.4759.0 | 1 | engine head |
| 3 | 0.009.4527.0 | 3 | plug |
| 4 | 0.009.4527.1 | 1 | plug |
| 5 | 0.009.4542.1 | 6 | valve guide |
| 6 | 0.009.4758.0 | | head gasket mm 1.40 |
| 6 | 0.009.4758.1 | | head gasket mm 1.53 |
| 6 | 0.009.4758.2 | | head gasket mm 1.60 |
| 7 | 0.009.4543.2 | 3 | screw |
| 8 | 0.009.4759.1 | 8 | screw |
| 9 | 0.009.4547.2 | 1 | tube |
| 10 | 0.009.4544.2 | 2 | screw |
| 11 | 0.009.4539.0 | 2 | nut |
| 12 | 0.009.4545.1 | 1 | plug |
| 13 | 0.009.4759.4/10 | 1 | complete cover |
| 14 | 0.009.4546.0 | 1 | tube |
| 15 | 0.009.4548.0 | 1 | plug |
| 16 | 0.009.4760.0 | 1 | gasket |
| 17 | 0.009.4547.0 | 2 | gasket |
| 18 | 0.009.4547.1 | 2 | washer |

Section: ENGINE
LUBRICATION



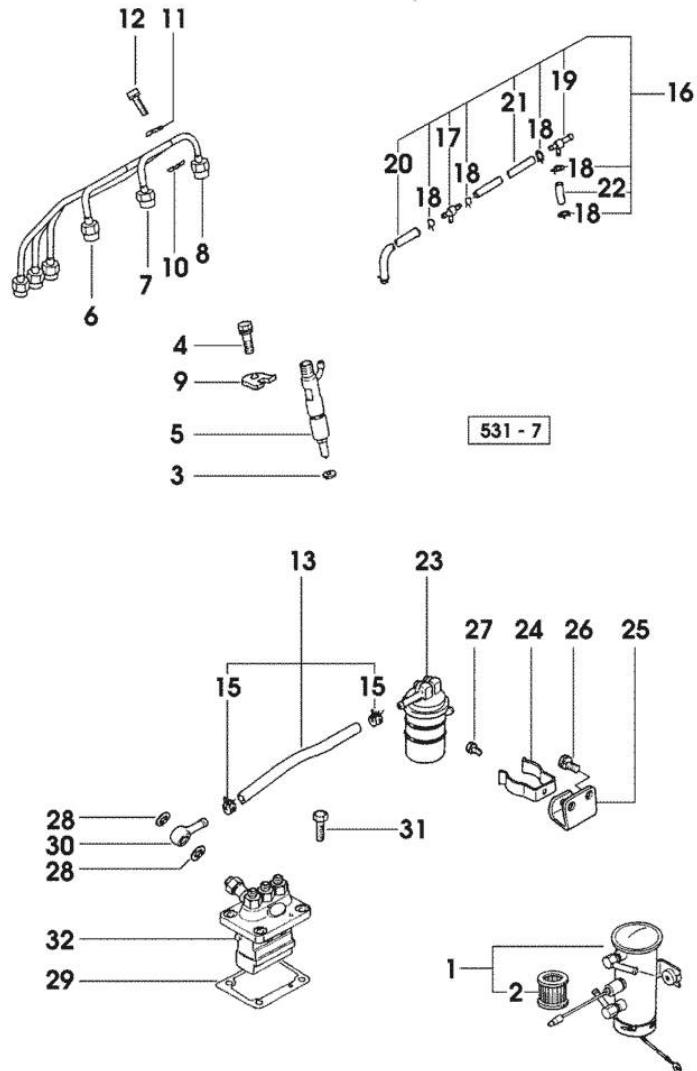
| Fig. | P/n | QTY | Name |
|------|-----|-----|------|
|------|-----|-----|------|

Notes:
[Agrokid 25]

| | | | |
|----|--------------|----|----------------------------|
| 1 | 0.009.4626.4 | 1 | oil pump |
| 2 | 0.009.4626.0 | 2 | pin |
| 3 | 0.009.4540.1 | 1 | gasket |
| 4 | 0.009.4626.1 | 1 | pin seat |
| 5 | 0.009.4627.0 | 1 | plug |
| 6 | 0.009.4627.3 | 1 | impeller |
| 7 | 0.009.4760.1 | 1 | special oil seal |
| 8 | 0.009.4628.0 | 1 | spring |
| 9 | 0.000.0000.1 | | cannot be supplied |
| 10 | 0.009.4628.2 | 1 | cover |
| 11 | 0.009.4545.1 | 1 | plug |
| 12 | 0.009.4526.0 | 1 | plug |
| 13 | 0.009.4629.1 | 1 | gasket |
| 22 | 0.009.4632.1 | 3 | screw |
| 23 | 0.009.4632.2 | 1 | screw |
| 24 | 0.009.4633.6 | 1 | valve |
| 25 | 0.009.4633.4 | 1 | oil pump |
| 26 | 0.009.4633.3 | 1 | level indicator |
| 27 | 0.009.4634.0 | 1 | self-locking nut |
| 28 | 0.009.4634.1 | 1 | gasket |
| 29 | 0.009.4634.2 | 1 | switch |
| 30 | 0.009.4794.1 | 1 | oil filter element |
| 31 | 0.009.4540.4 | 1 | oil sump - X 35HP |
| 31 | 0.009.4760.2 | 1 | oil sump - X 25HP |
| 32 | 0.009.4540.1 | 1 | gasket |
| 33 | 0.009.4541.0 | 1 | plug |
| 34 | 0.009.4541.1 | 1 | gasket Ø mm 38 - X 35HP |
| 34 | 0.009.4761.0 | 1 | gasket - X 25HP |
| 35 | 0.009.4530.1 | 15 | screw - X 25HP |

Section: ENGINE

FUEL SUPPLY SYSTEM



| Fig. | P/n | QTY | Name |
|---------------|--------------|-----|---------------------------------|
| Notes: | | | |
| [Agrokid 25] | | | |
| 1 | 0.008.6957.4 | 1 | feed pump ☞ 0.008.6957.4 |
| 2 | 0.009.4683.0 | 1 | fuel filter element |
| 3 | 0.009.4568.1 | 3 | gasket |
| 4 | 0.009.4568.2 | 3 | screw |
| 5 | 0.009.4770.4 | 4 | injector assembly ☞ 01.00.77 |
| 6 | 0.009.4569.1 | 1 | tube |
| 7 | 0.009.4569.2 | 1 | tube |
| 8 | 0.009.4570.0 | 1 | tube |
| 9 | 0.009.4568.0 | 3 | support |
| 10 | 0.009.4570.2 | 2 | clamp |
| 11 | 0.009.4571.0 | 2 | clamp |
| 12 | 0.009.4571.1 | 2 | screw |
| 13 | 0.009.4761.2 | 1 | tube |
| 15 | 0.009.4572.1 | 2 | clamp |
| 16 | 0.009.4762.0 | 1 | tube |
| 17 | 0.009.4573.0 | 1 | joint |
| 18 | 0.009.4573.1 | 5 | clamp |
| 19 | 0.009.4573.2 | 1 | joint |
| 20 | 0.009.4574.0 | 1 | rubber tube |
| 21 | 0.009.4574.1 | 1 | rubber tube |
| 22 | 0.009.4574.2 | 2 | rubber tube |
| 23 | 0.009.4575.0 | 1 | fuel filter element |
| 24 | 0.009.4575.1 | 1 | clamp |
| 25 | 0.009.4575.2 | 1 | support |
| 26 | 0.009.4530.1 | 2 | screw |
| 27 | 0.009.4576.0 | 1 | screw |
| 28 | 0.009.4762.1 | 2 | gasket |
| 29 | 0.009.4763.0 | 1 | shim mm 0.20 |
| 29 | 0.009.4763.1 | 1 | shim mm 0.3 |
| 29 | 0.009.4763.2 | 1 | shim mm 0.4 |
| 29 | 0.009.4764.0 | 1 | shim mm 0.50 |
| 29 | 0.009.4764.1 | 1 | shim mm 0.6 |
| 29 | 0.009.4764.2 | 1 | shim mm 0.7 |
| 29 | 0.009.4765.0 | 1 | shim mm 0.8 |
| 29 | 0.009.4765.1 | 1 | shim mm 0.9 |
| 29 | 0.009.4765.2 | 1 | shim mm 1.0 |
| 30 | 0.009.4774.1 | 1 | pipe fitting |
| 31 | 0.009.4580.0 | 4 | screw |
| 32 | 0.009.4766.4 | 1 | injector pump |

Buy Now



Our support email:

ebooklibonline@outlook.com