

Section: B0 - ENGINE

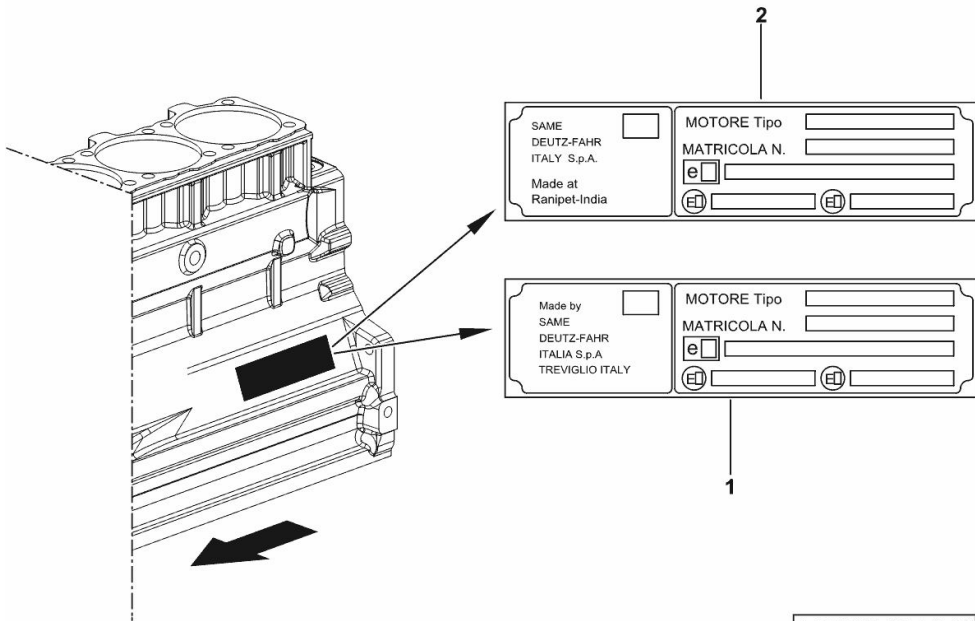
ENGINE TYPE-APPROVAL DATA PLATE

| Fig. | P/n | QTY | Name |
|------|-----|-----|------|
|------|-----|-----|------|

Notes:

[Agrolux 75 2WD -> ZKDS0101W0RD01001] [Agrolux 75 4WD -> ZKDS0102W0RD01001]

| | | | |
|---|--------------|--|---|
| 1 | 0.000.0000.1 | | cannot be supplied MADE BY TREVIGLIO ITALY |
| 2 | 0.000.0000.1 | | cannot be supplied MADE AT RANIPET - INDIA |



9_STA000_00_0-A-001

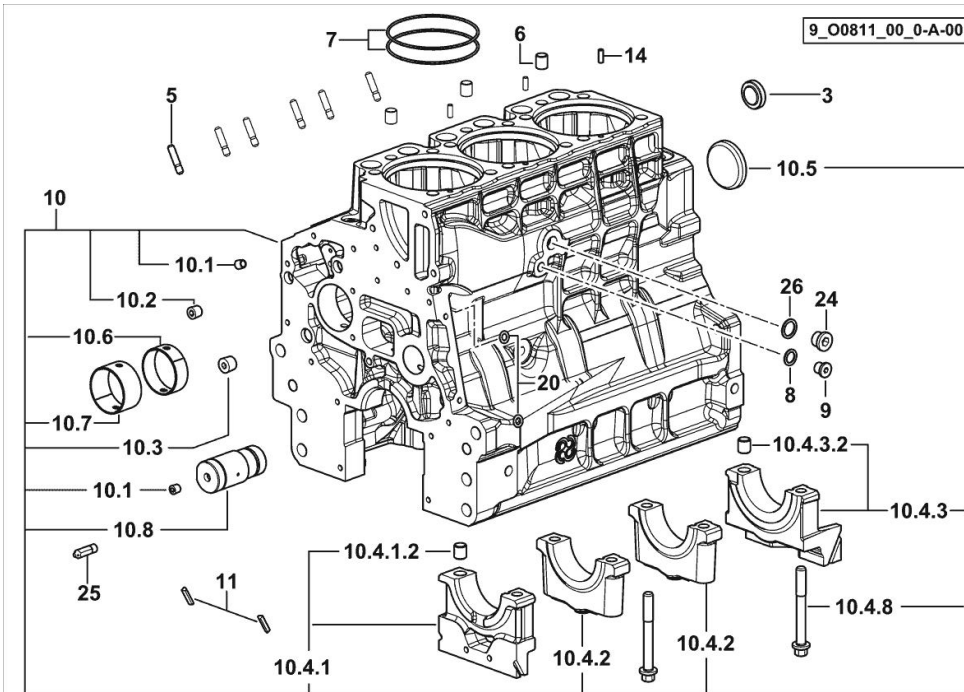
Section: B0 - ENGINE

CRANKCASE

| Fig. | P/n | QTY | Name |
|------|-----|-----|------|
|------|-----|-----|------|

Notes:

FOR ENGINES PRODUCED IN : TREVIGLIO ITALY [Agrolux 75 2WD -> ZKDS0101WORD01001] 1008 <- FOR ENGINES PRODUCED IN : TREVIGLIO ITALY [Agrolux 75 4WD -> ZKDS0102WORD01001] 1008 <- FOR ENGINES PRODUCED IN : TREVIGLIO ITALY [Agrolux 75 2WD -> ZKDS0101WORD01001] FOR ENGINES PRODUCED IN : TREVIGLIO ITALY [Agrolux 75 4WD -> ZKDS0102WORD01001]



| | | | |
|----------|-----------------|----|------------------------------|
| 3 | 2.3199.312.2/20 | 1 | plug m 35x1.5x9.5 |
| 5 | 2.0439.279.7 | 6 | stud bolt m 8 p.1 x 25 |
| 6 | 2.1559.188.2 | 3 | bush 11.4 x 14 x16 |
| 7 | 2.1539.259.0 | 6 | special oil seal 107.62x2.62 |
| 8 | 2.1560.010.0 | 1 | gasket 14.2 x 20 |
| 9 | 2.3199.292.0 | 1 | plug 1/4" gas |
| 10 | 0.014.9911.4/30 | 1 | crankcase |
| 10.1 | 2.3130.001.1 | 12 | plug 1/8" gas |
| 10.2 | 2.3130.002.1 | 4 | plug 1/4" gas |
| 10.3 | 2.3130.003.1 | 2 | plug 3/8" gas |
| 10.4.1 | 0.065.1112.3 | 1 | support |
| 10.4.1.2 | 2.1699.165.0 | 1 | bush 12.3x15x16 |
| 10.4.2 | 0.065.1114.0/10 | 2 | support |
| 10.4.3 | 0.065.1116.3 | 1 | support |
| 10.4.3.2 | 2.1699.165.0 | 1 | bush 12.3x15x16 |
| 10.4.8 | 0.065.1117.0 | 8 | screw m 12 x 100 |
| 10.5 | 2.3179.012.0 | 1 | plug 60 |
| 10.6 | 0.065.1140.0 | 3 | special bushing 59X55X20 |
| 10.7 | 0.065.1141.0 | 1 | special bushing 59X55X30 |
| 10.8 | 0.014.1340.0/10 | 1 | pin mm 85 |
| 11 | 0.066.1152.0/10 | 4 | gasket |
| 14 | 2.1549.154.2 | 3 | bush 4.8x5.8x16 |
| 20 | 2.1470.004.2 | 4 | lock washer 8 |
| 24 | 2.3120.101.0 | 1 | plug m 18 p.1.5 |
| 25 | 0.013.4946.0/10 | 1 | sprayer nozzle |
| 26 | 2.1560.014.0 | 1 | washer 18.2 x 24 |

Section: B0 - ENGINE

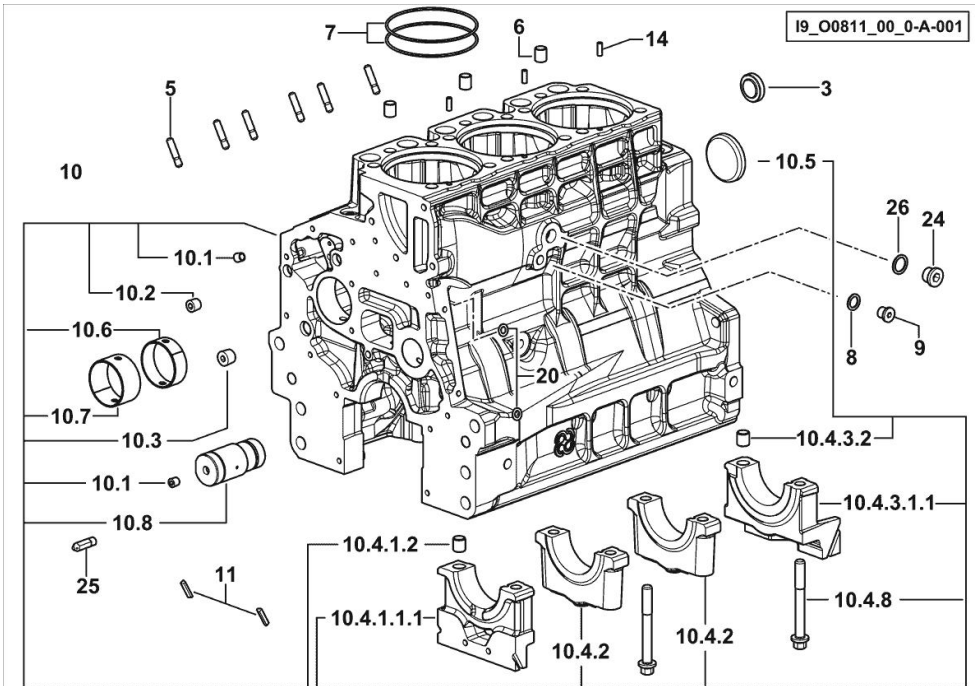
CRANKCASE

| Fig. | P/n | QTY | Name |
|------|-----|-----|------|
|------|-----|-----|------|

Notes:

FOR ENGINES PRODUCED IN : RANIPET - INDIA [Agrolux 75 2WD -> ZKDS0101W0RD01001] -> 1038 FOR

ENGINES PRODUCED IN : RANIPET - INDIA [Agrolux 75 4WD -> ZKDS0102W0RD01001] -> 1010



| | | | |
|------------|-----------------|----|------------------------------|
| 3 | 2.3199.312.2/20 | 1 | plug m 35x1.5x9.5 |
| 5 | 2.0439.279.7 | 6 | stud bolt m 8 p.1 x 25 |
| 6 | 2.1559.188.2 | 3 | bush 11.4 x 14 x16 |
| 7 | 2.1539.259.0 | 6 | special oil seal 107.62x2.62 |
| 8 | 2.1560.010.0 | 1 | gasket 14.2 x 20 |
| 9 | 2.3199.292.0 | 1 | plug 1/4" gas |
| 10 | 0.014.9911.4/30 | 1 | crankcase |
| 10.1 | 2.3130.001.1 | 12 | plug 1/8" gas |
| 10.2 | 2.3130.002.1 | 4 | plug 1/4" gas |
| 10.3 | 2.3130.003.1 | 2 | plug 3/8" gas |
| 10.4.1.1.1 | 0.065.1112.7/10 | 1 | support |
| 10.4.1.2 | 2.1699.165.0 | 1 | bush 12.3x15x16 |
| 10.4.2 | 0.065.1114.0/10 | 2 | support |
| 10.4.3.1.1 | 0.065.1116.7/10 | 1 | support |
| 10.4.3.2 | 2.1699.165.0 | 1 | bush 12.3x15x16 |
| 10.4.8 | 0.065.1117.0 | 8 | screw m 12 x 100 |
| 10.5 | 2.3179.012.0 | 1 | plug 60 |
| 10.6 | 0.065.1140.0 | 3 | special bushing 59X55X20 |
| 10.7 | 0.065.1141.0 | 1 | special bushing 59X55X30 |
| 10.8 | 0.014.1340.0/10 | 1 | pin mm 85 |
| 11 | 0.066.1152.0/10 | 4 | gasket |
| 14 | 2.1549.154.2 | 3 | bush 4.8x5.8x16 |
| 20 | 2.1470.004.2 | 4 | lock washer 8 |
| 24 | 2.3120.101.0 | 1 | plug m 18 p.1.5 |
| 25 | 0.013.4946.0/10 | 1 | sprayer nozzle |
| 26 | 2.1560.014.0 | 1 | washer 18.2 x 24 |

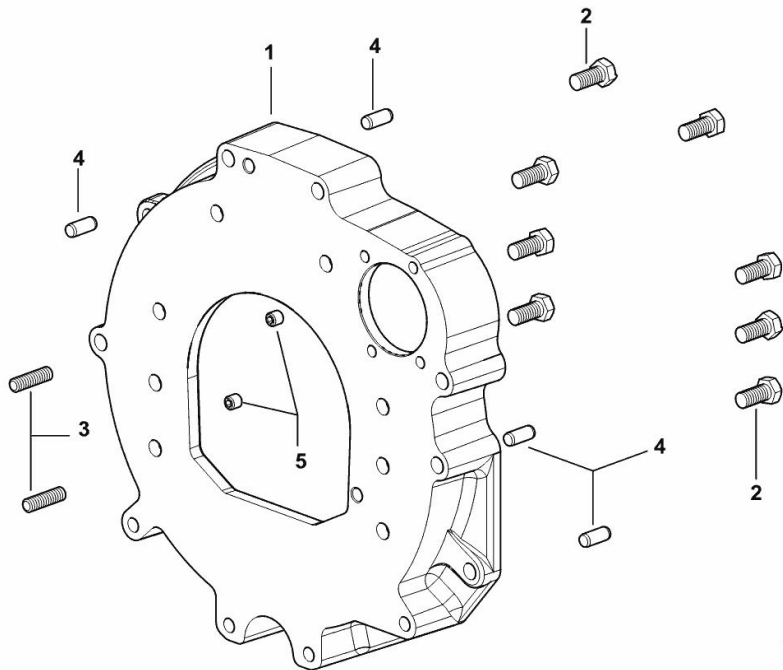
MONOBLOC ENGINE-GEARBOX CONNECTING FLANGE

| Fig. | P/n | QTY | Name |
|------|-----|-----|------|
|------|-----|-----|------|

Notes:

[Agrolux 75 2WD -> ZKDS0101W0RD01001] [Agrolux 75 4WD -> ZKDS0102W0RD01001]

| | | | |
|---|--------------|---|-------------------------------|
| 1 | 0.015.8814.0 | 1 | flange |
| 2 | 2.0112.511.2 | 8 | screw m 14 p.2 x 30 |
| 3 | 2.0432.255.7 | 2 | stud bolt m 12 p.1.75-1.25x25 |
| 4 | 2.1651.912.0 | 4 | cylindrical plug 12x28 |
| 5 | 2.0512.404.7 | 2 | screw |



Section: B0 - ENGINE

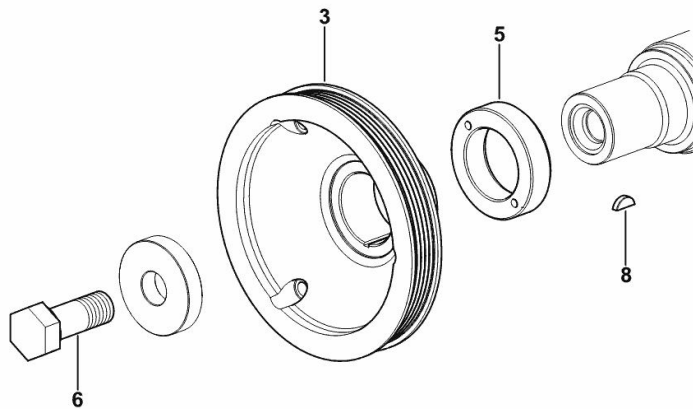
CRANKSHAFT PULLEY

| Fig. | P/n | QTY | Name |
|------|-----|-----|------|
|------|-----|-----|------|

Notes:

FOR ENGINES PRODUCED IN : TREVIGLIO ITALY [Agrolux 75 4WD -> ZKDS0102WORD01001] 1001 <-

| | | | |
|---|-----------------|---|-----------------------------------|
| 3 | 0.015.6659.0 | 1 | pulley OUTSIDE DIAMETER 167 mm |
| 5 | 0.085.1248.0/20 | 1 | hub |
| 6 | 2.0399.144.7/10 | 1 | screw m 20 p.1.5x51 |
| 8 | 2.1720.006.0 | 1 | key 4x6.5 |



9_M5012_03_0-A-001

Section: B0 - ENGINE

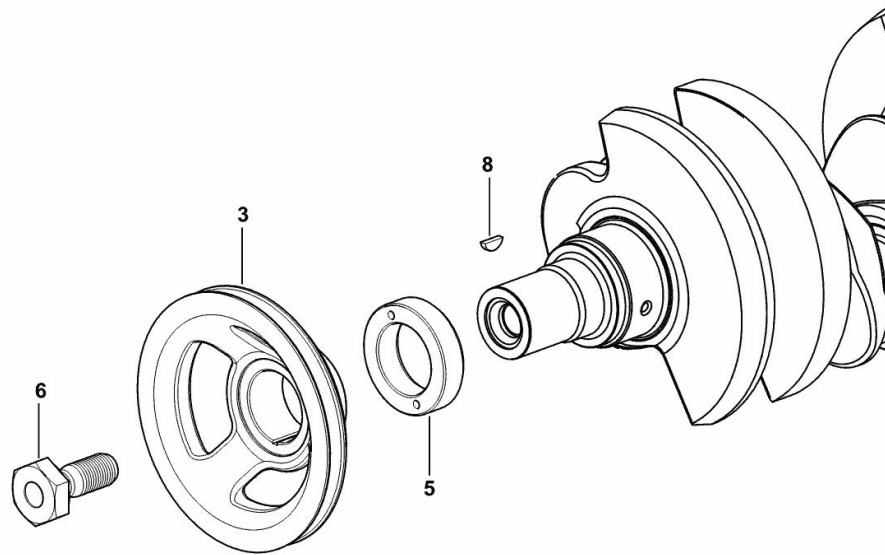
CRANKSHAFT PULLEY

| Fig. | P/n | QTY | Name |
|------|-----|-----|------|
|------|-----|-----|------|

Notes:

FOR ENGINES PRODUCED IN : TREVIGLIO ITALY [Agrolux 75 2WD -> ZKDS0101W0RD01001] FOR ENGINES PRODUCED IN : TREVIGLIO ITALY [Agrolux 75 4WD -> ZKDS0102W0RD01001] -> 1002 FOR ENGINES PRODUCED IN : TREVIGLIO ITALY [Agrolux 75 4WD -> ZKDS0102W0RD01001]

| | | | |
|---|-----------------|---|---------------------|
| 3 | 0.007.1457.0/30 | 1 | pulley |
| 5 | 0.085.1248.0/20 | 1 | hub |
| 6 | 2.0399.144.7/10 | 1 | screw m 20 p.1.5x51 |
| 8 | 2.1720.006.0 | 1 | key 4x6.5 |



9_33312_02_0-A-001

Section: B0 - ENGINE

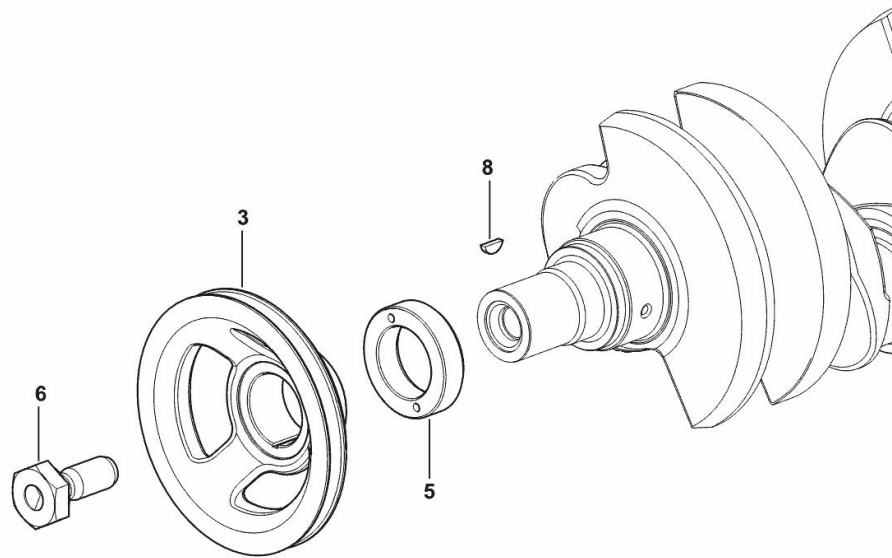
CRANKSHAFT PULLEY

| Fig. | P/n | QTY | Name |
|------|-----|-----|------|
|------|-----|-----|------|

Notes:

FOR ENGINES PRODUCED IN : RANIPET - INDIA [Agrolux 75 2WD -> ZKDS0101W0RD01001] FOR ENGINES PRODUCED IN : RANIPET - INDIA [Agrolux 75 4WD -> ZKDS0102W0RD01001]

| | | | |
|---|-----------------|---|---------------------|
| 3 | 0.007.1457.0/30 | 1 | pulley |
| 5 | 0.085.1248.0/20 | 1 | hub |
| 6 | 2.0399.144.7/10 | 1 | screw m 20 p.1.5x51 |
| 8 | 2.1720.006.0 | 1 | key 4x6.5 |



19_33312_02_0-A-001

Buy Now



Our support email:

ebooklibonline@outlook.com