

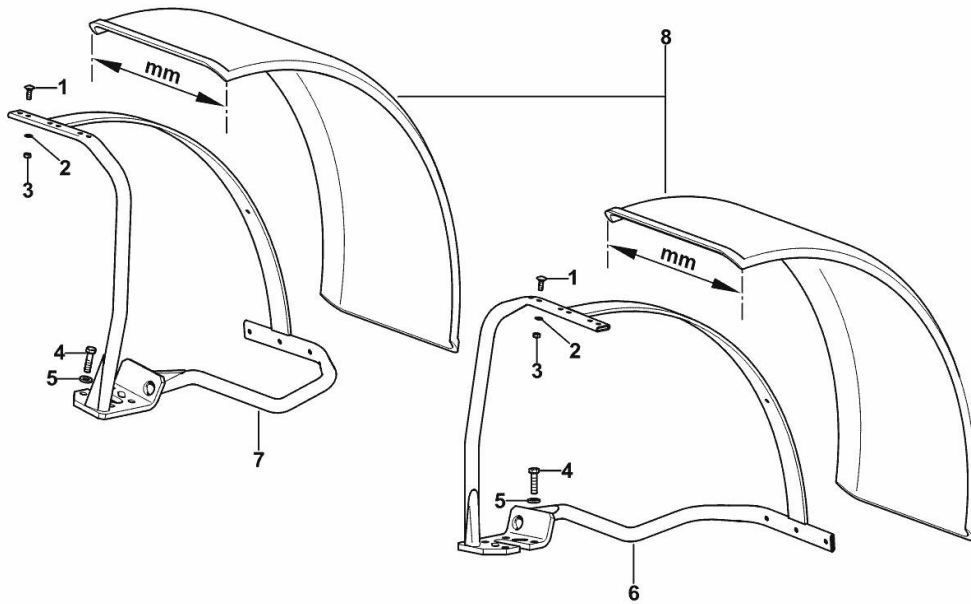
4WD - FRONT MUDGUARDS mm 410

Fig.	P/n	QTY	Name
------	-----	-----	------

Notes:

[AGROLUX 90 4WD]

1	2.0029.503.6	16	screw m 8 x 25
2	2.1470.004.2	16	lock washer 8
3	2.1011.105.2	16	nut m 8 p.1.25
4	2.0112.417.2	8	screw m 12 p.1.75 x 45
5	2.1599.484.2	8	spacer 13x26x4
6	0.290.7667.2	1	support sx/lh/li
7	0.290.7666.2	1	support dx/rh/re
8	0.015.0414.0	2	fender mm 410



9_40576_16_0-A-001

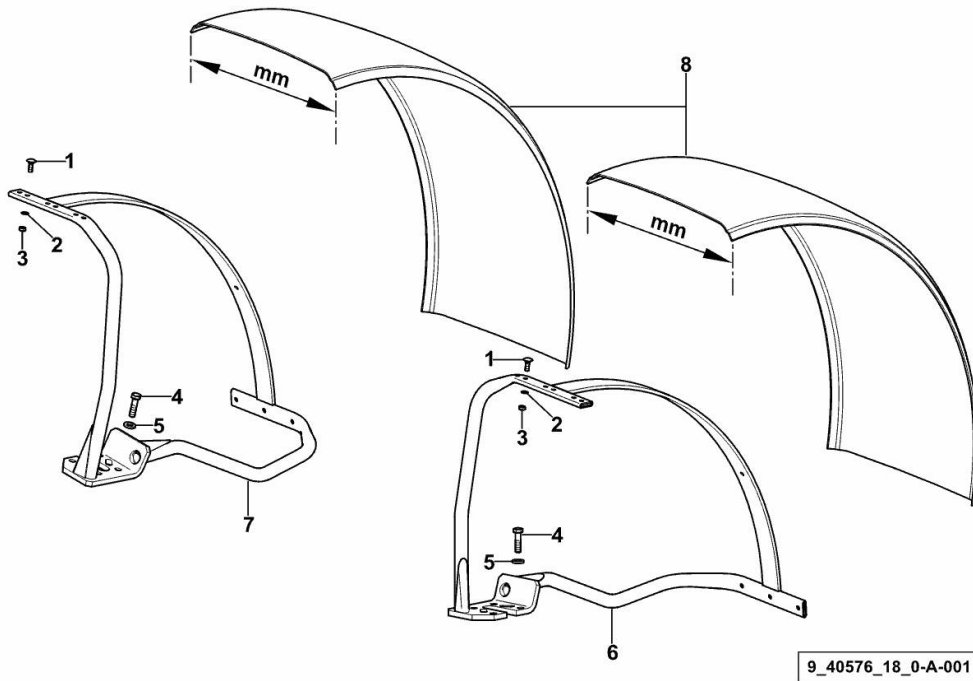
4WD - FRONT MUDGUARDS mm 470

Fig.	P/n	QTY	Name
------	-----	-----	------

Notes:

[AGROLUX 90 4WD]

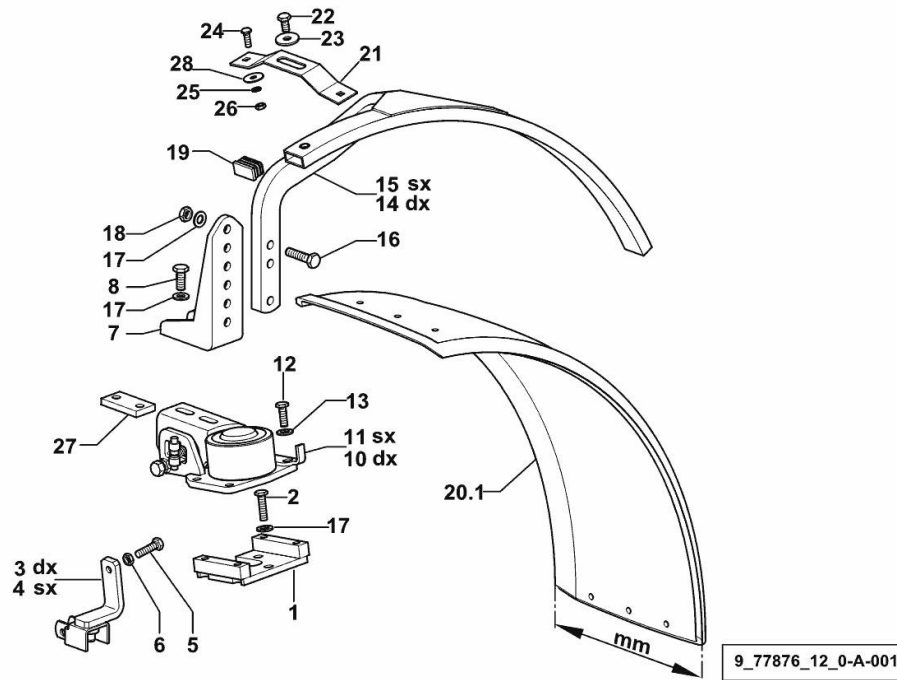
1	2.0029.503.6	16	screw m 8 x 25
2	2.1470.004.2	16	lock washer 8
3	2.1011.105.2	16	nut m 8 p.1.25
4	2.0112.417.2	8	screw m 12 p.1.75 x 45
5	2.1599.484.2	8	spacer 13x26x4
6	0.290.7667.2	1	support sx/lh/li
7	0.290.7666.2	1	support dx/rh/re
8	0.010.1729.0	2	fender mm 470



4WD - SELF-ADJUSTING FRONT FENDERS mm 310

Fig.	P/n	QTY	Name
------	-----	-----	------

Notes:
[AGROLUX 90 4WD]



1	0.011.3341.2/10	2	plate
2	2.0112.415.2	6	screw m 12 p.1.75 x 40
3	0.011.1416.3/30	1	bracket dx/rh/re
4	0.011.1428.3/30	1	bracket sx/lh/li
5	2.0112.313.2	2	screw m 10 p.1.5 x 35
6	2.1011.006.2	2	nut m 10 p.1.5
7	0.011.3409.0	2	bracket
8	2.0112.411.2	4	screw m 12 p.1.75 x 30
10	0.011.3452.4/10	1	support dx/rh/re ☞ 0.011.3452.4/10
11	0.011.3457.4/10	1	support sx/lh/li ☞ 0.011.3457.4/10
12	2.0112.311.2	8	screw m 10 p.1.5 x 30
13	2.1475.003.7	8	washer 10.5
14	0.011.3619.2	1	chassis frame dx/rh/re
15	0.011.3618.2	1	chassis frame sx/lh/li
16	2.0112.417.2	8	screw m 12 p.1.75 x 45
17	2.1475.004.2	14	spring washer 12
18	2.1011.107.2	4	nut m 12 p.1.75
19	0.010.9844.0	4	plug
20.1	0.163.7632.5/10	1	fender mm 310
21	0.010.9845.0/10	6	plate
22	2.0112.307.2	6	screw m 10 p.1.5 x 20
23	2.1599.082.0	6	washer 11 x 35 x 3
24	2.0029.503.6	12	screw m 8 x 25
25	2.1470.004.2	12	lock washer 8
26	2.1011.105.2	12	nut m 8 p.1.25
27	0.011.3407.0/10	2	small plate
28	2.1599.584.2	12	shoulder ring 9 x 30 x 2

4WD - SELF-ADJUSTING FRONT FENDERS mm 355

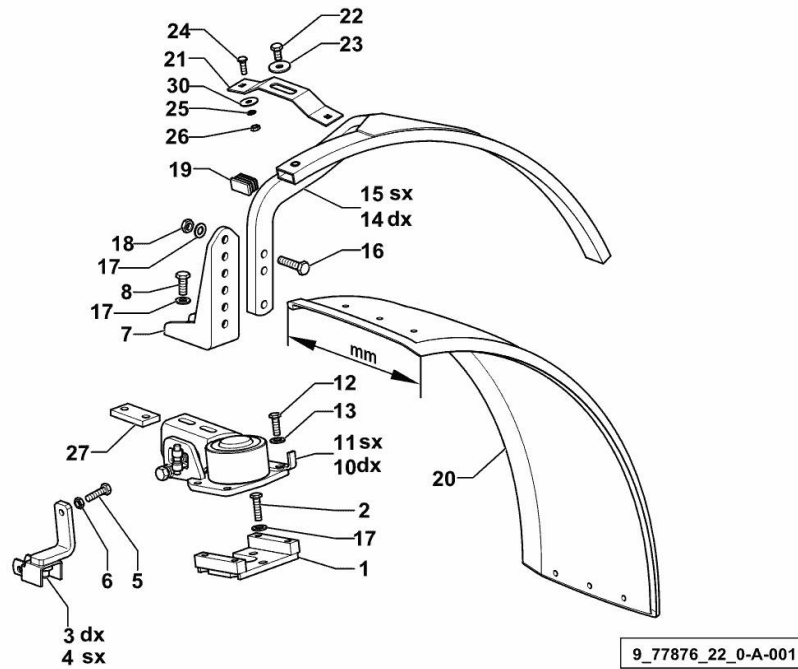


Fig.	P/n	QTY	Name
Notes:			
[AGROLUX 90 4WD]			
1	0.011.3341.2/10	2	plate
2	2.0112.415.2	6	screw m 12 p.1.75 x 40
3	0.011.1416.3/30	1	bracket dx/rh/re
4	0.011.1428.3/30	1	bracket sx/lh/li
5	2.0112.313.2	2	screw m 10 p.1.5 x 35
6	2.1011.006.2	2	nut m 10 p.1.5
7	0.011.3409.0	2	bracket
8	2.0112.411.2	4	screw m 12 p.1.75 x 30
10	0.011.3452.4/10	1	support dx/rh/re ☞ 0.011.3452.4/10
11	0.011.3457.4/10	1	support sx/lh/li ☞ 0.011.3457.4/10
12	2.0112.311.2	8	screw m 10 p.1.5 x 30
13	2.1475.003.2	8	washer 10
14	0.011.3459.2/10	1	chassis frame dx/rh/re
15	0.011.3460.2/10	1	chassis frame sx/lh/li
16	2.0112.417.2	8	screw m 12 p.1.75 x 45
17	2.1475.004.2	14	spring washer 12
18	2.1011.107.2	4	nut m 12 p.1.75
19	0.010.9844.0	4	plug
20	0.255.7632.0/10	2	fender mm 355
21	0.011.1295.0/10	6	plate
22	2.0112.307.2	6	screw m 10 p.1.5 x 20
23	2.1599.082.0	6	washer 11 x 35 x 3
24	2.0020.205.2	12	screw m 8 p.1.25 x 20
25	2.1470.004.2	12	lock washer 8
26	2.1011.105.2	12	nut m 8 p.1.25
27	0.011.3407.0/10	2	small plate
30	2.1599.584.2	12	shoulder ring 9 x 30 x 2

4WD - SELF-ADJUSTING FRONT FENDERS mm 470

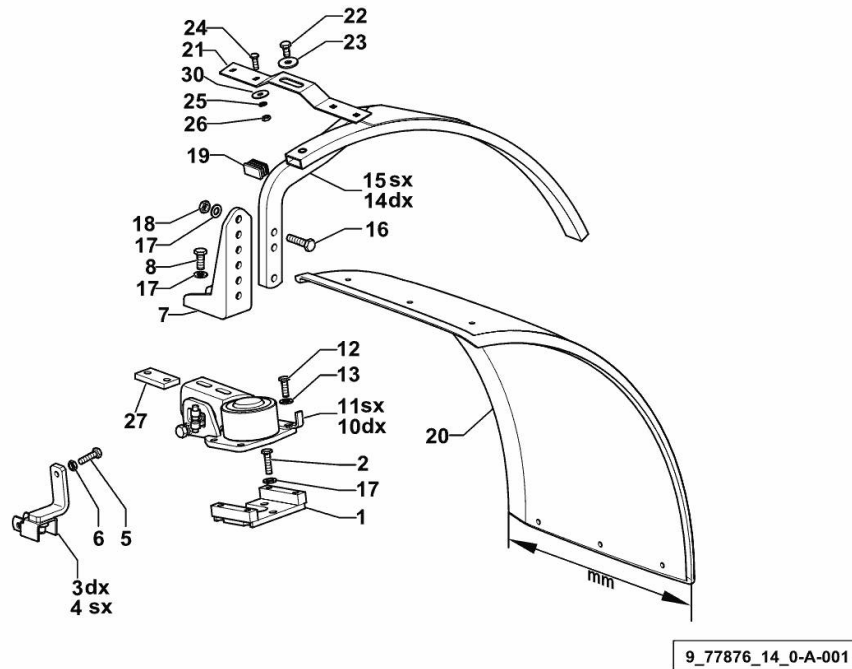


Fig.	P/n	QTY	Name
Notes:			
[AGROLUX 90 4WD]			
1	0.011.3341.2/10	2	plate
2	2.0112.415.2	6	screw m 12 p.1.75 x 40
3	0.011.1416.3/30	1	bracket dx/rh/re
4	0.011.1428.3/30	1	bracket sx/lh/li
5	2.0112.313.2	2	screw m 10 p.1.5 x 35
6	2.1011.006.2	2	nut m 10 p.1.5
7	0.011.3409.0	2	bracket
8	2.0112.411.2	4	screw m 12 p.1.75 x 30
10	0.011.3452.4/10	1	support dx/rh/re
	☞ 0.011.3452.4/10		
11	0.011.3457.4/10	1	support sx/lh/li
	☞ 0.011.3457.4/10		
12	2.0112.311.2	8	screw m 10 p.1.5 x 30
13	2.1475.003.2	8	washer 10
14	0.011.3461.2	1	chassis frame dx/rh/re
15	0.011.3462.2	1	chassis frame sx/lh/li
16	2.0112.417.2	8	screw m 12 p.1.75 x 45
17	2.1475.004.2	14	spring washer 12
18	2.1011.107.2	4	nut m 12 p.1.75
19	0.010.9844.0	4	plug
20	0.010.1729.0	2	fender mm 470
21	0.011.3380.0	6	plate
22	2.0112.307.2	6	screw m 10 p.1.5 x 20
23	2.1599.082.0	6	washer 11 x 35 x 3
24	2.0020.205.2	24	screw m 8 p.1.25 x 20
25	2.1470.004.2	24	lock washer 8
26	2.1011.105.2	24	nut m 8 p.1.25
27	0.011.3407.0/10	2	small plate
30	2.1599.584.2	24	shoulder ring 9 x 30 x 2

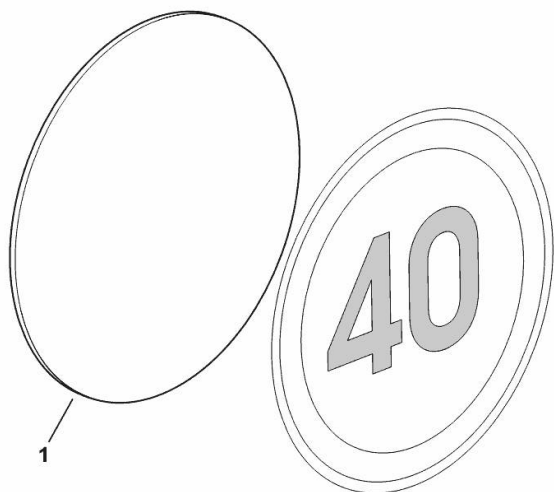
BRACKET - SPEED LABEL

Fig.	P/n	QTY	Name
------	-----	-----	------

Notes:

- ITALY [AGROLUX 90 2WD] - ITALY [AGROLUX 90 4WD]

1	0.011.0006.2/20	1	support
---	-----------------	---	---------



9_70576_05_0-A-001

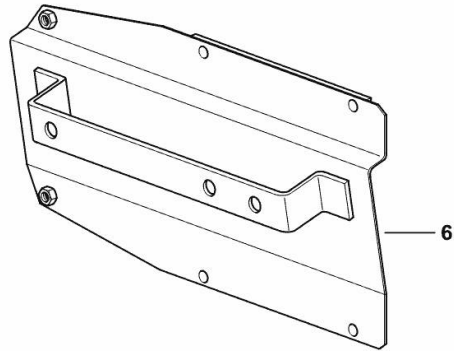
LICENSE PLATE HOLDER SUPPORT

Fig.	P/n	QTY	Name
------	-----	-----	------

Notes:

[AGROLUX 90 2WD] [AGROLUX 90 4WD]

6	0.008.3958.2	1	plate holder
---	--------------	---	--------------



9_49085_31_0-A-001

Buy Now



Our support email:

ebooklibonline@outlook.com