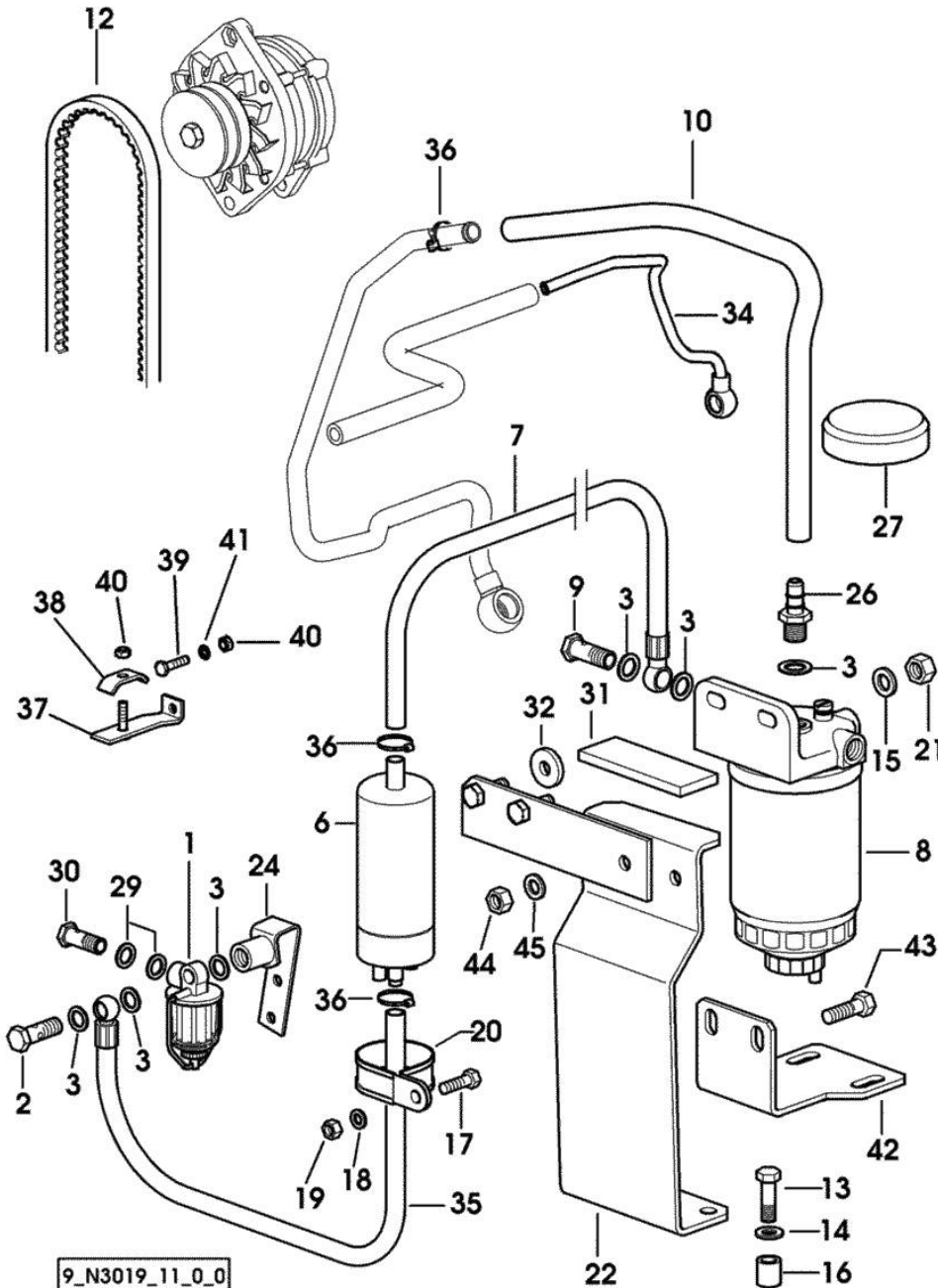


Section: ENGINE

PARTS SET - ENGINE MOUNTING



| Fig. | P/n | QTY | Name |
|------|-----|-----|------|
|------|-----|-----|------|

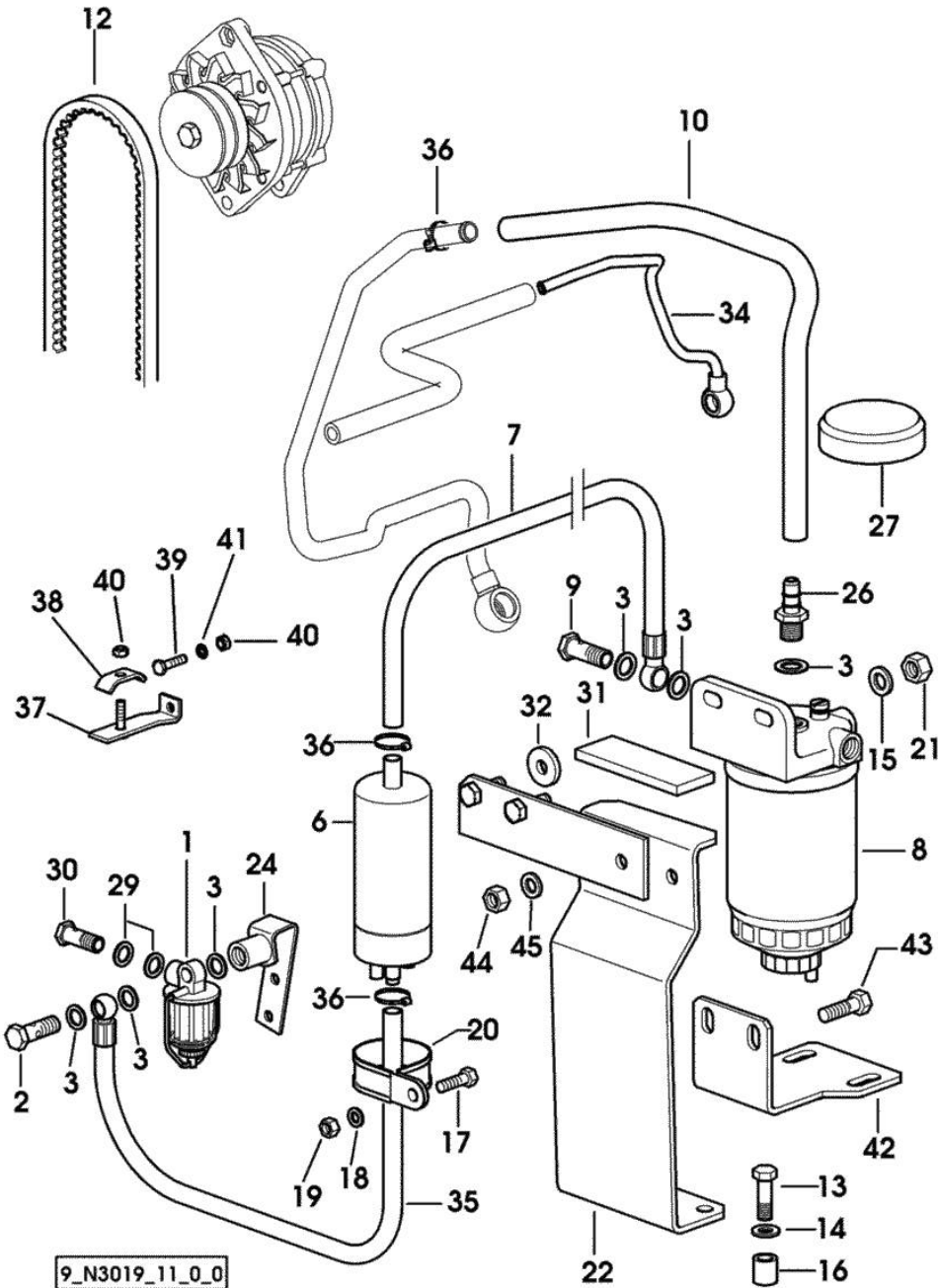
Notes:
[Agrolux F 70]

| | | | |
|----|-----------------|---|--|
| 1 | 2.4319.220.0 | 1 | precleaner COMPONENT PARTS SEE COMPONENTS LIST ☞ 2.4319.220.0 |
| 2 | 2.3339.040.2 | 1 | pipe union m 14 p.1.5x45 |
| 3 | 2.1561.007.0 | 7 | copper gasket 14,8x22.2 |
| 6 | 0.012.6508.3 | 1 | pump |
| 7 | 0.010.6209.3 | 1 | tube |
| 8 | 2.4319.230.0 | 1 | fuel filter COMPONENT PARTS SEE COMPONENTS LIST ☞ 2.4319.230.0 |
| 9 | 2.3332.004.1 | 1 | pipe union m 14 p.1.5 |
| 10 | 0.012.6449.0 | 1 | tube |
| 12 | 2.4119.163.0 | 1 | belt mm 10.7x1500 |
| 13 | 2.0112.311.2 | 2 | screw m 10 p.1.5 x 30 |
| 14 | 2.1310.006.2 | 2 | flat washer 10.5x21 |
| 15 | 2.1470.006.2 | 2 | lock washer 10 |
| 16 | 2.1579.149.2 | 2 | spacer 11x18x19 |
| 17 | 2.0112.011.2 | 1 | screw m 6 p.1x30 |
| 18 | 2.1310.002.2 | 1 | flat washer 6.4x12.5 |
| 19 | 2.1011.103.2 | 1 | nut m 6 p.1 |
| 20 | 2.6839.063.0 | 1 | clamp Ø 50 |
| 21 | 2.1011.106.2 | 2 | nut m 10 p.1.5 |
| 22 | 0.013.7962.3 | 1 | bracket |
| 24 | 0.011.8784.2 | 1 | bracket |
| 26 | 2.3339.723.2 | 1 | pipe fitting m 14 p.1.5 |
| 27 | 0.010.6230.0/10 | 1 | plug |
| 29 | 2.1560.010.0 | 2 | gasket 14.2 x 20 |
| 30 | 2.3332.004.2 | 1 | pipe union m 14 p.1.5 x 27 |
| 31 | 0.257.8153.0 | 1 | rubber 40 x 110 x 8 |
| 32 | 2.1599.599.2 | 2 | washer 10.5x30x5 |
| 34 | 0.013.6696.3/10 | 1 | tube |
| 35 | 0.013.6704.3 | 1 | tube |
| 36 | 2.6851.001.0 | 5 | clamp Ø 16/25 |
| 37 | 0.013.6697.3 | 1 | bracket |
| 38 | 0.154.6377.0 | 1 | terminal |
| 39 | 2.0114.013.2 | 1 | screw m 6 p.1 x 35 |
| 40 | 2.1011.103.2 | 2 | nut m 6 p.1 |
| 41 | 2.1470.002.2 | 1 | lock washer 6 |
| 42 | 0.013.7800.0 | 1 | bracket |
| 43 | 2.0112.311.2 | 2 | screw m 10 p.1.5 x 30 |
| 44 | 2.1011.106.2 | 2 | nut m 10 p.1.5 |

9_N3019_11_0_0

Section: ENGINE

PARTS SET - ENGINE MOUNTING



| Fig. | P/n | QTY | Name |
|------|--------------|-----|---------------------|
| 45 | 2.1310.006.2 | 4 | flat washer 10.5x21 |

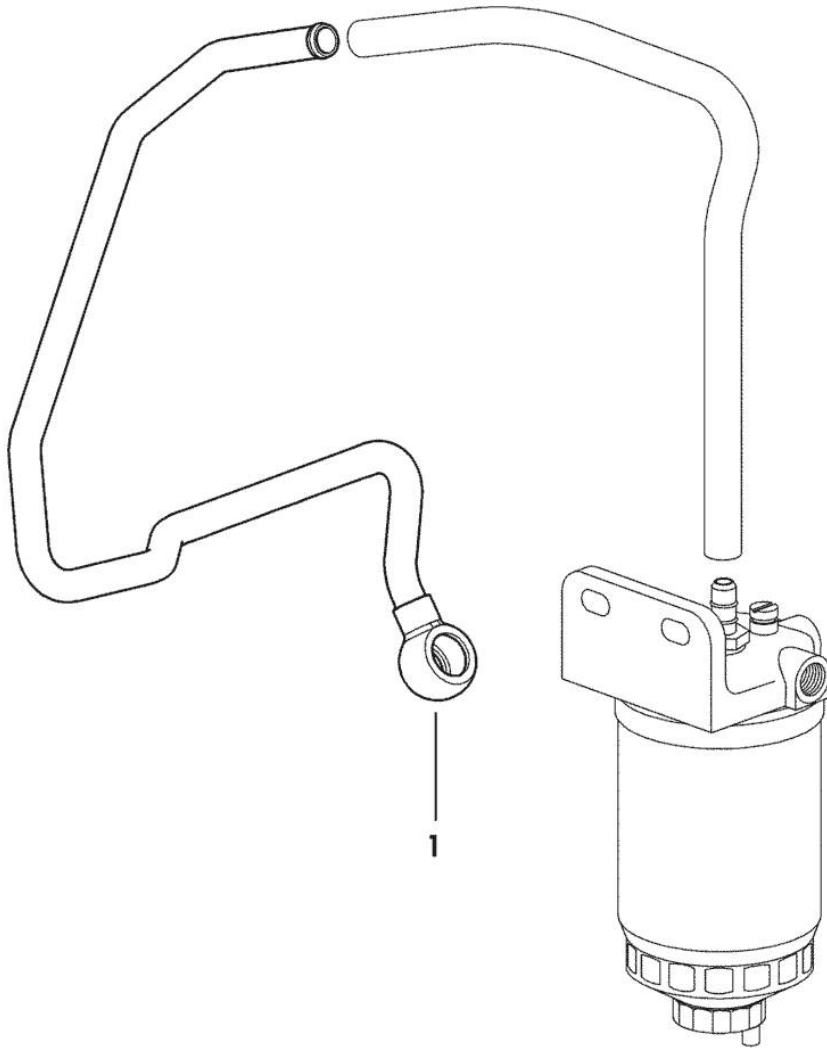
Section: ENGINE

FUEL PIPES

| Fig. | P/n | QTY | Name |
|------|-----|-----|------|
|------|-----|-----|------|

Notes:
[Agrolux F 70]

| | | | |
|---|-----------------|---|------|
| 1 | 0.013.6694.3/30 | 1 | tube |
|---|-----------------|---|------|



Section: ENGINE

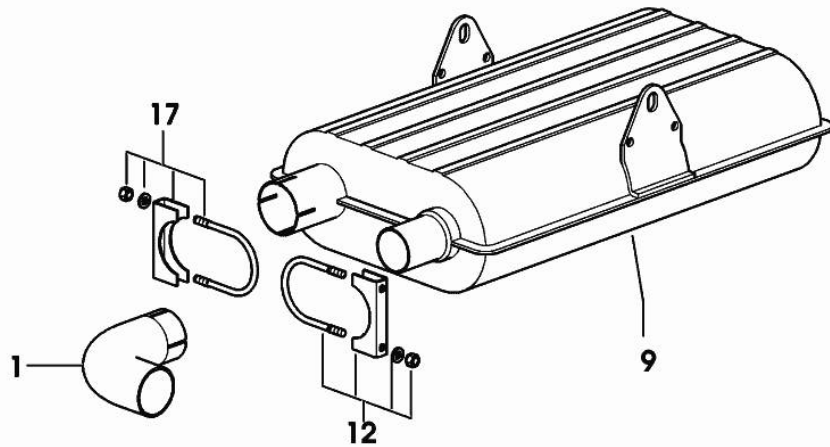
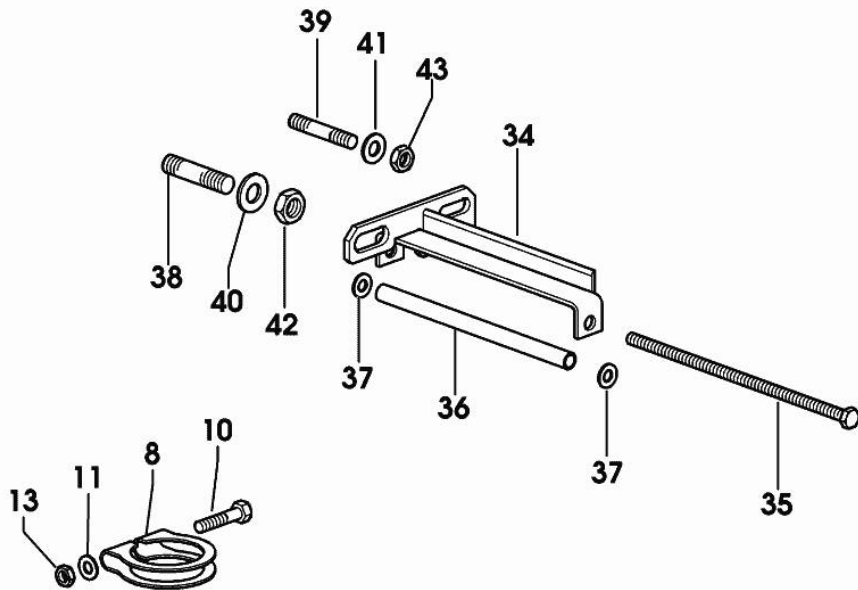
EXHAUST SILENCER

| Fig. | P/n | QTY | Name |
|------|-----|-----|------|
|------|-----|-----|------|

Notes:

[Agrolux F 70]

| | | | |
|----|-----------------|---|----------------------------|
| 1 | 0.008.3287.0/10 | 1 | exhaust pipe |
| 8 | 0.011.1316.0 | 1 | clamp |
| 9 | 0.008.3943.2/40 | 1 | exhaust silencer |
| 10 | 2.0119.234.3 | 1 | screw m 10 p 1.5x80 |
| 11 | 2.1310.006.3 | 2 | flat washer 10.5x21x2 |
| 12 | 0.431.5651.4 | 1 | clamp |
| 13 | 2.1011.106.3 | 1 | nut m 10 |
| 17 | 0.467.5651.4 | 1 | clamp |
| 34 | 0.013.6922.3 | 1 | bracket |
| 35 | 0.013.7090.0 | 1 | pin |
| 36 | 0.013.7091.0/10 | 1 | spacer |
| 37 | 2.1310.006.2 | 2 | flat washer 10.5x21 |
| 38 | 2.0422.609.2 | 1 | stud bolt m 16 p.2x35 |
| 39 | 2.0422.411.2 | 1 | stud bolt m 12 x 1,75 x 40 |
| 40 | 2.1310.010.2 | 1 | flat washer 17x30 |
| 41 | 2.1310.007.2 | 1 | flat washer 13 x 24 |
| 42 | 2.1011.109.2 | 1 | nut m 16 p.2 |
| 43 | 2.1011.107.2 | 1 | nut m 12 p.1.75 |



9_D4156_00_0_0

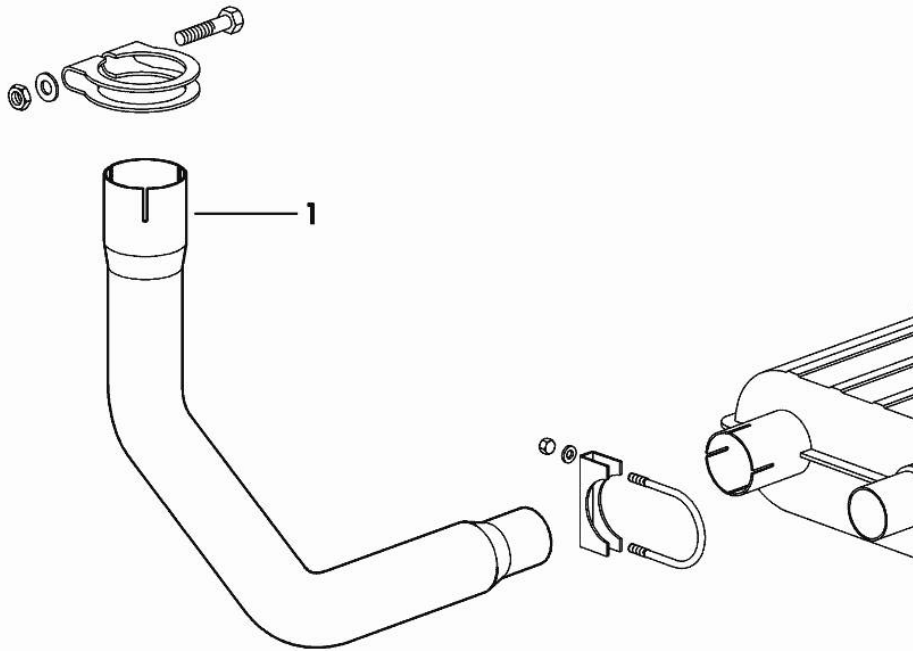
Section: ENGINE

EXHAUST PIPE

| Fig. | P/n | QTY | Name |
|------|-----|-----|------|
|------|-----|-----|------|

Notes:
[Agrolux F 70]

| | | | |
|---|-----------------|---|------|
| 1 | 0.013.7195.0/10 | 1 | tube |
|---|-----------------|---|------|



9_D0756_01_0_0

Section: ENGINE

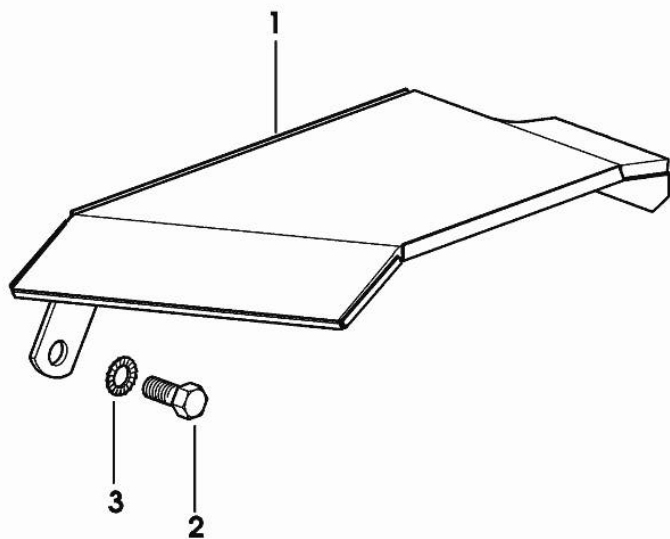
METAL SILENCER GUARD

| Fig. | P/n | QTY | Name |
|------|-----|-----|------|
|------|-----|-----|------|

Notes:

[Agrolux F 70]

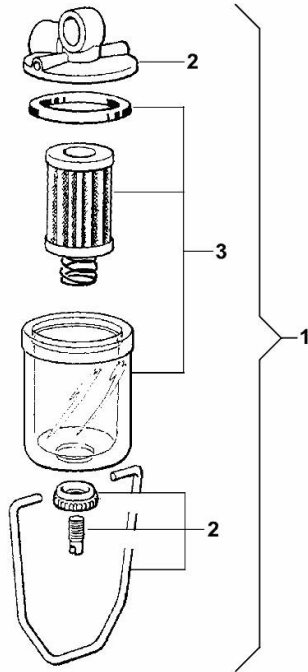
| | | | |
|---|--------------|---|---------------------|
| 1 | 0.013.9151.3 | 1 | shield |
| 2 | 2.0112.304.2 | 1 | screw m 10 p.1.5x14 |
| 3 | 2.1470.006.2 | 1 | lock washer 10 |



9_D0756_02_0_0

PRE-FILTER - COMPONENTS

| Fig. | P/n | QTY | Name |
|------|--------------|-----|---------------------|
| 1 | 2.4319.220.0 | 1 | precleaner |
| 2 | 0.000.0000.1 | | cannot be supplied |
| 3 | 2.4319.220.6 | 1 | fuel filter element |



2_4319_220_0

Buy Now



Our support email:

ebooklibonline@outlook.com