

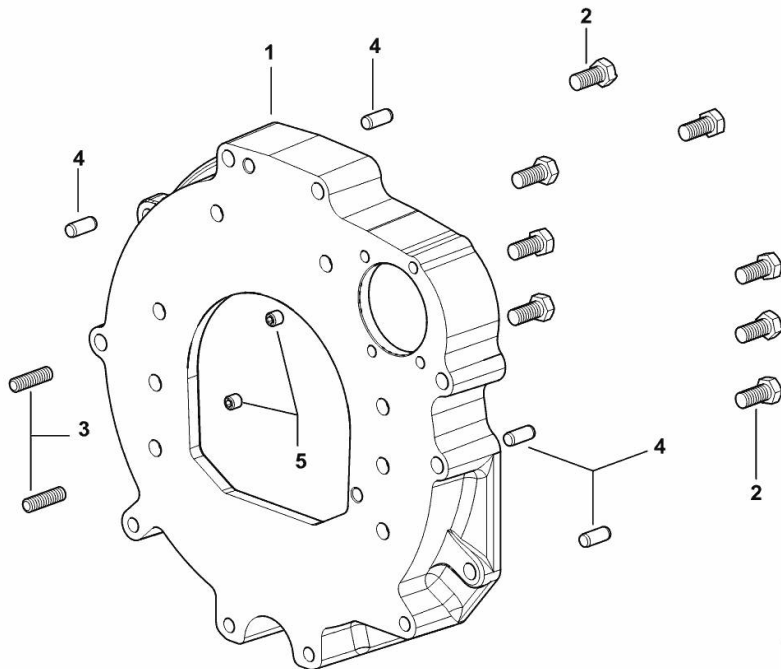
MONOBLOC ENGINE-GEARBOX CONNECTING FLANGE

| Fig. | P/n | QTY | Name |
|------|-----|-----|------|
|------|-----|-----|------|

Notes:

[AGROMAXX 55 2WD] [AGROMAXX 55 4WD]

| | | | |
|---|--------------|---|-------------------------------|
| 1 | 0.015.8814.0 | 1 | flange |
| 2 | 2.0112.511.2 | 8 | screw m 14 p.2 x 30 |
| 3 | 2.0432.255.7 | 2 | stud bolt m 12 p.1.75-1.25x25 |
| 4 | 2.1651.912.0 | 4 | cylindrical plug 12x28 |
| 5 | 2.0512.404.7 | 2 | screw |

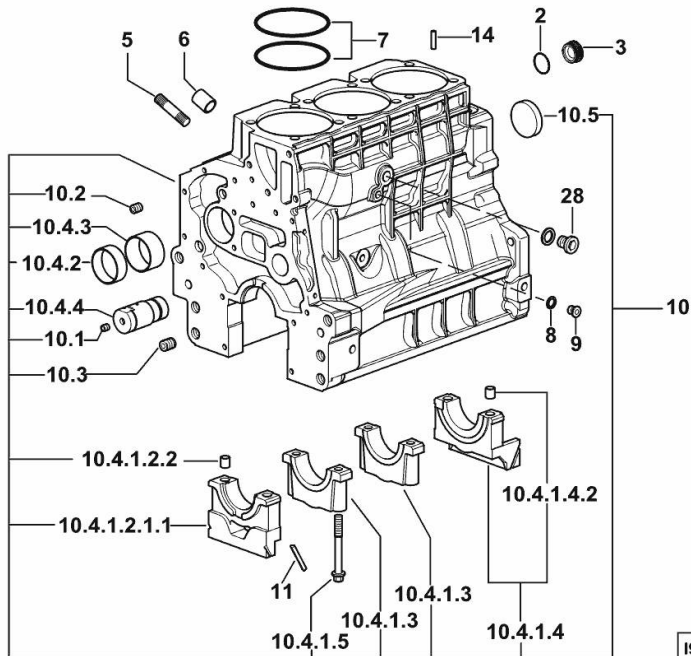


CRANKCASE

| Fig. | P/n | QTY | Name |
|------|-----|-----|------|
|------|-----|-----|------|

Notes:

[AGROMAXX 55 2WD] [AGROMAXX 55 4WD]



19_N8111_00_0-A-002

| | | | |
|--------------|-----------------|----|---------------------------------|
| 2 | 2.1532.072.0 | 1 | oil seal 26.70x1.78 |
| 3 | 2.3199.405.2 | 1 | plug m 28 p.1.5 |
| 5 | 2.0432.003.7 | 11 | stud bolt m 8 p.1.25 / p.1 x 20 |
| 6 | 2.1559.188.2 | 3 | bush 11.4 x 14 x16 |
| 7 | 2.1539.259.0 | 6 | special oil seal 107.62x2.62 |
| 8 | 2.1560.010.0 | 1 | gasket 14.2 x 20 |
| 9 | 2.3199.292.0 | 1 | plug 1/4" gas |
| 10 | 0.014.8700.4 | 1 | crankcase |
| 10.1 | 2.3130.001.1 | 9 | plug 1/8" gas |
| 10.2 | 2.3130.002.1 | 2 | plug 1/4" gas |
| 10.3 | 2.3130.003.1 | 2 | plug 3/8" gas |
| 10.4.1.2.1.1 | 0.065.1112.7/10 | 1 | support |
| 10.4.1.2.2 | 2.1699.165.0 | 1 | bush 12.3x15x16 |
| 10.4.1.3 | 0.065.1114.0/10 | 2 | support |
| 10.4.1.4 | 0.065.1116.3 | 1 | support |
| 10.4.1.4.2 | 2.1699.165.0 | 1 | bush 12.3x15x16 |
| 10.4.1.5 | 0.065.1117.0 | 8 | screw m 12 x 100 |
| 10.4.2 | 0.065.1140.0 | 3 | special bushing 59X55X20 |
| 10.4.3 | 0.065.1141.0 | 1 | special bushing 59X55X30 |
| 10.4.4 | 0.014.1340.0 | 1 | pin |
| 10.5 | 2.3179.012.0 | 1 | plug 60 |
| 11 | 0.066.1152.0/10 | 4 | gasket |
| 14 | 2.1549.154.2 | 3 | bush 4.8x5.8x16 |
| 28 | 2.3131.004.2 | 1 | plug m 18 p.1.5 |

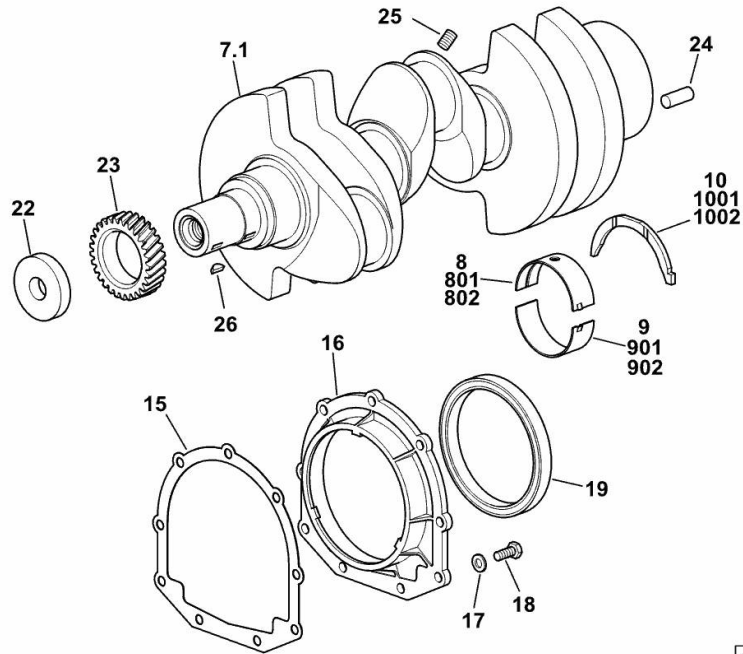
CRANKSHAFT

| Fig. | P/n | QTY | Name |
|------|-----|-----|------|
|------|-----|-----|------|

Notes:

[AGROMAXX 55 2WD] 13413 <- [AGROMAXX 55 4WD] 13413 <-

| | | | |
|------|-----------------|---|-----------------------------|
| 7.1 | 0.007.1554.0/20 | 1 | crankshaft |
| 8 | 0.065.1215.0/10 | 4 | main half bushing STANDARD |
| 9 | 0.065.1216.0/10 | 4 | main half bushing STANDARD |
| 10 | 0.065.1218.0 | 4 | shim STANDARD |
| 15 | 0.065.1254.0/20 | 1 | gasket |
| 16 | 0.007.1711.0/10 | 1 | cover |
| 17 | 2.1475.002.2 | 9 | conical washer 8 |
| 18 | 2.0112.207.2 | 9 | screw m 8 p 1.25 x 20 |
| 19 | 2.1529.073.0 | 1 | special oil seal 110x130x13 |
| 22 | 2.1599.524.7 | 1 | washer 21x60x12 |
| 23 | 0.065.1323.0/30 | 1 | gear Z = 29 |
| 24 | 2.1651.915.0 | 1 | pin 12x35 |
| 25 | 2.3130.001.1 | 3 | plug 1/8" gas |
| 26 | 2.1720.006.0 | 1 | key 4x6.5 |
| 801 | 0.065.1215.7 | 1 | main half bushing - mm 0.25 |
| 802 | 0.065.1215.8 | 1 | main half bushing - mm 0.50 |
| 901 | 0.065.1216.7 | 1 | main half bushing - mm 0.25 |
| 902 | 0.065.1216.8 | 1 | main half bushing - mm 0.50 |
| 1001 | 0.065.1218.7 | 1 | shim + mm 0.10 |
| 1002 | 0.065.1218.8 | 1 | shim + mm 0.15 |



19_N8112_00_0-A-001

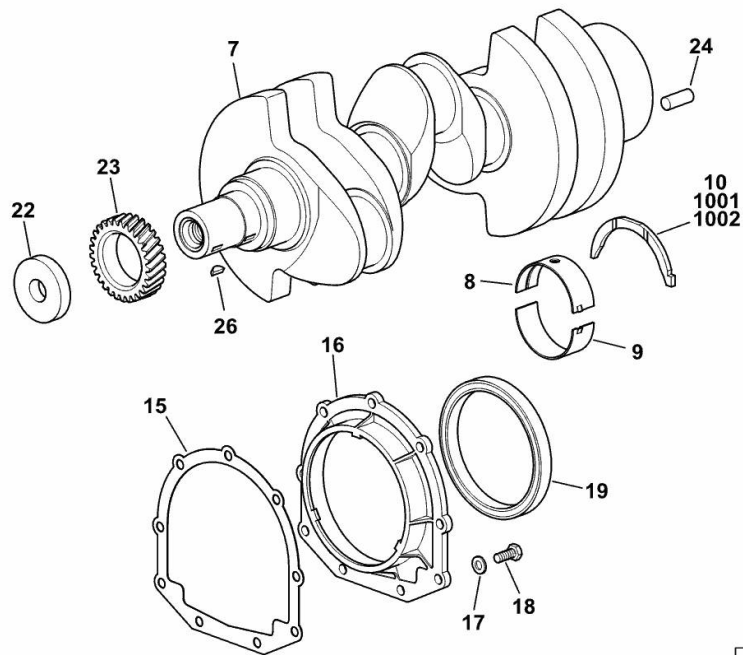
CRANKSHAFT

| Fig. | P/n | QTY | Name |
|------|-----|-----|------|
|------|-----|-----|------|

Notes:

[AGROMAXX 55 2WD] -> 1 [AGROMAXX 55 4WD] -> 1

| | | | |
|------|-----------------|---|-----------------------------|
| 7 | 0.019.2255.0/20 | 1 | crankshaft |
| 8 | 0.019.5455.0 | 4 | main half bushing STANDARD |
| 9 | 0.019.5456.0 | 4 | main half bushing STANDARD |
| 10 | 0.065.1218.0 | 4 | shim STANDARD |
| 15 | 0.065.1254.0/20 | 1 | gasket |
| 16 | 0.007.1711.0/10 | 1 | cover |
| 17 | 2.1475.002.2 | 9 | conical washer 8 |
| 18 | 2.0112.207.2 | 9 | screw m 8 p 1.25 x 20 |
| 19 | 2.1529.073.0 | 1 | special oil seal 110x130x13 |
| 22 | 2.1599.524.7 | 1 | washer 21x60x12 |
| 23 | 0.065.1323.0/30 | 1 | gear Z = 29 |
| 24 | 2.1651.915.0 | 1 | pin 12x35 |
| 26 | 2.1720.006.0 | 1 | key 4x6.5 |
| 1001 | 0.065.1218.7 | 1 | shim + mm 0.10 |
| 1002 | 0.065.1218.8 | 1 | shim + mm 0.15 |



19_N8112_00_0-A-002

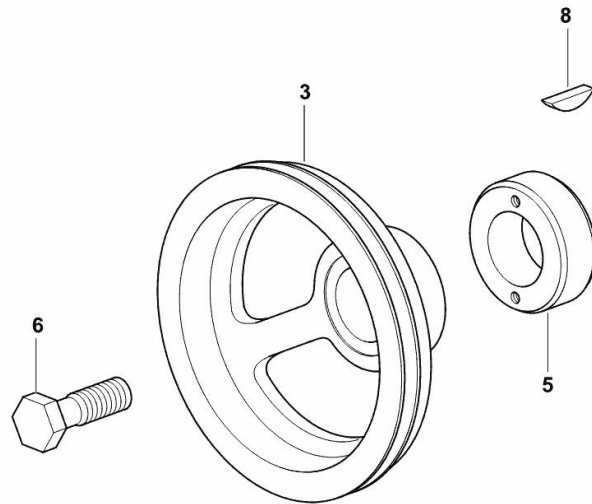
CRANKSHAFT PULLEY

| Fig. | P/n | QTY | Name |
|------|-----|-----|------|
|------|-----|-----|------|

Notes:

[AGROMAXX 55 2WD] [AGROMAXX 55 4WD]

| | | | |
|---|-----------------|---|---------------------|
| 3 | 0.014.5093.0 | 1 | pulley |
| 5 | 0.085.1248.0/20 | 1 | hub |
| 6 | 2.0399.144.7/10 | 1 | screw m 20 p.1.5x51 |
| 8 | 2.1720.006.0 | 1 | key 4x6.5 |



19_38512_04_0-A-001

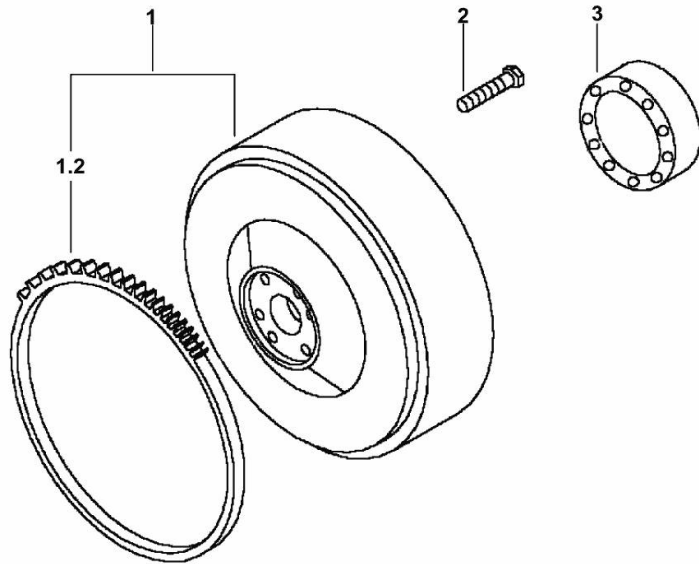
ENGINE FLYWHEEL

| Fig. | P/n | QTY | Name |
|------|-----|-----|------|
|------|-----|-----|------|

Notes:

[AGROMAXX 55 2WD]

| | | | |
|-----|-----------------|---|-----------------------|
| 1 | 0.012.0925.3 | 1 | flywheel |
| 1.2 | 0.069.1242.0 | 1 | crown wheel Z = 121 |
| 2 | 2.0119.174.0/10 | 6 | screw m 12 p.1.25x45 |
| 3 | 2.2041.008.9 | 1 | ball bearing 20x47x14 |



19_38512_02_0-A-001

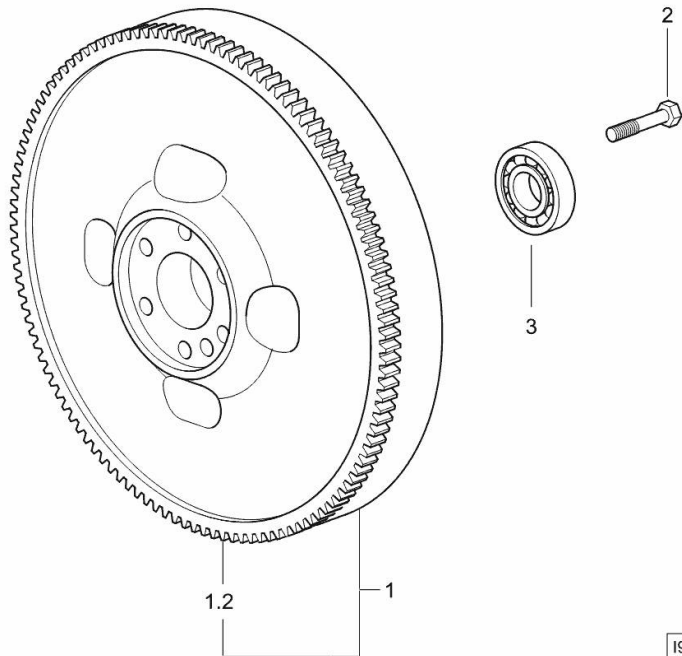
ENGINE FLYWHEEL

| Fig. | P/n | QTY | Name |
|------|-----|-----|------|
|------|-----|-----|------|

Notes:

- FOR TYPES WITH DOUBLE CLUTCH [AGROMAXX 55 2WD] - FOR TYPES WITH DOUBLE CLUTCH [AGROMAXX 55 4WD]

| | | | |
|-----|-----------------|---|-----------------------|
| 1 | 0.007.1617.3/30 | 1 | flywheel |
| 1.2 | 0.069.1242.0 | 1 | crown wheel Z = 121 |
| 2 | 2.0119.174.0/10 | 6 | screw m 12 p.1.25x45 |
| 3 | 2.2041.008.9 | 1 | ball bearing 20x47x14 |



I9_38512_12_0-A-001

Buy Now



Our support email:

ebooklibonline@outlook.com