

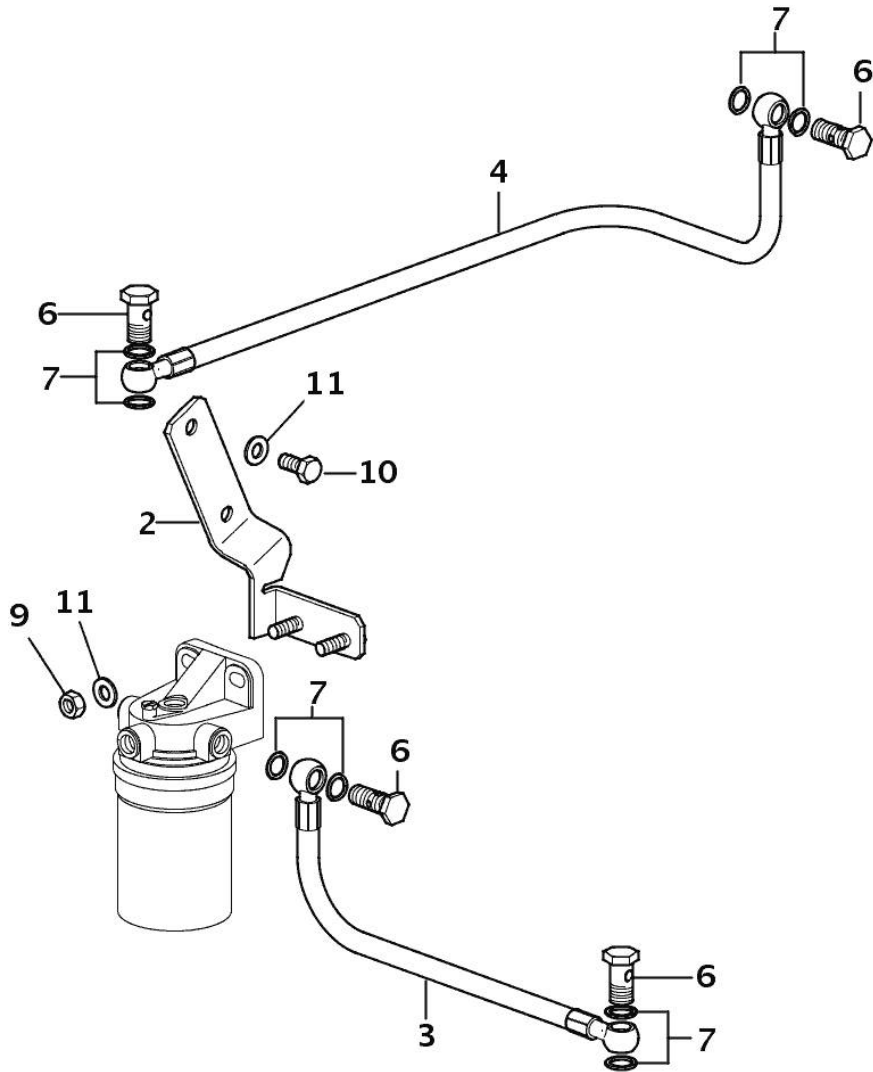
Section: ENGINE

FUEL PIPES

Fig.	P/n	QTY	Name
------	-----	-----	------

Notes:
[Agroplus 100]

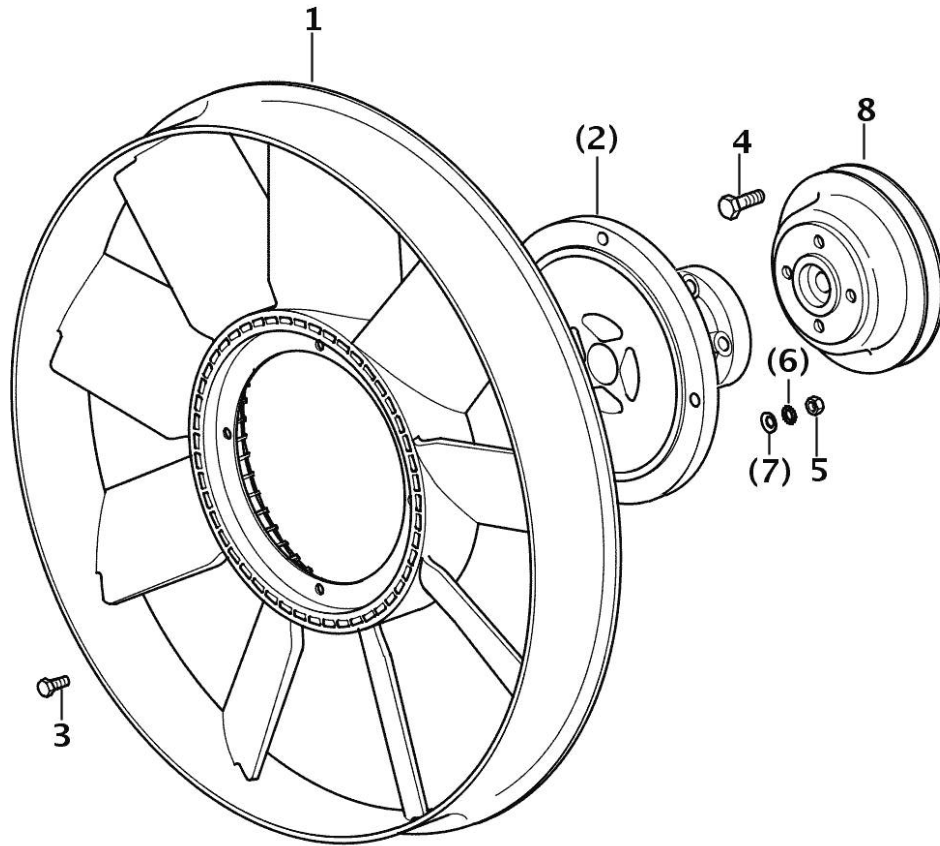
2	0.010.9435.3/10	1	support
3	0.010.9532.3	1	tube
4	0.010.9533.3	1	tube
6	2.3332.004.1	4	pipe union m 14 p.1.5
7	2.1560.010.0	8	gasket 14.2 x 20
9	2.1011.106.2	2	nut m 10 p.1.5
10	2.0112.308.2	2	screw m 10 p.1.5x22
11	2.1310.006.2	4	flat washer 10.5x21



9_32919_03_0_0

Section: ENGINE

FAN UNIT



9_39819_01_0_1

Fig.	P/n	QTY	Name
Notes: [Agroplus 100]			
1	0.010.9778.0	1	fan 1545 <- X Agroplus 85 1396 <- X Agroplus 95 1342 <- X Agroplus 100
1	04411970	1	impeller -> 1546 X Agroplus 85 -> 1397 X Agroplus 95 -> 1343 X Agroplus 100
2	0.010.9743.0	1	hub 1545 <- X Agroplus 85 1396 <- X Agroplus 95 1342 <- X Agroplus 100
2	04207957	1	hub -> 1546 - 2565 <- X Agroplus 85 -> 1397 - 1712 <- X Agroplus 95 -> 1343 - 1722 <- X Agroplus 100
3	2.0112.005.2	4	screw m 6 p.1 x 16 -> 1546 - 1897 <- X Agroplus 85 -> 1397 - 1529 <- X Agroplus 95 -> 1343 - 1550 <- X Agroplus 100
3	2.0112.007.2	4	screw m 6 p.1 x 20 -> 1898 X Agroplus 85 -> 1530 X Agroplus 95 -> 1551 X Agroplus 100
3	2.0432.003.7	4	stud bolt m 8 p.1.25 / p.1 x 20 1545 <- X Agroplus 85 1396 <- X Agroplus 95 1342 <- X Agroplus 100
4	2.0112.209.2	4	screw m 8 p 1.25 x 25 -> 1546 X Agroplus 85 -> 1397 X Agroplus 95 -> 1343 X Agroplus 100
4	2.0312.214.2	4	screw m 8 p.1.25 x 40 1545 <- X Agroplus 85 1396 <- X Agroplus 95 1342 <- X Agroplus 100
5	2.1011.003.2	4	nut m 6 p.1, d934 -> 1546 X Agroplus 85 -> 1397 X Agroplus 95 -> 1343 X Agroplus 100
5	2.1011.405.2	4	nut m 8 p.1

FAN UNIT

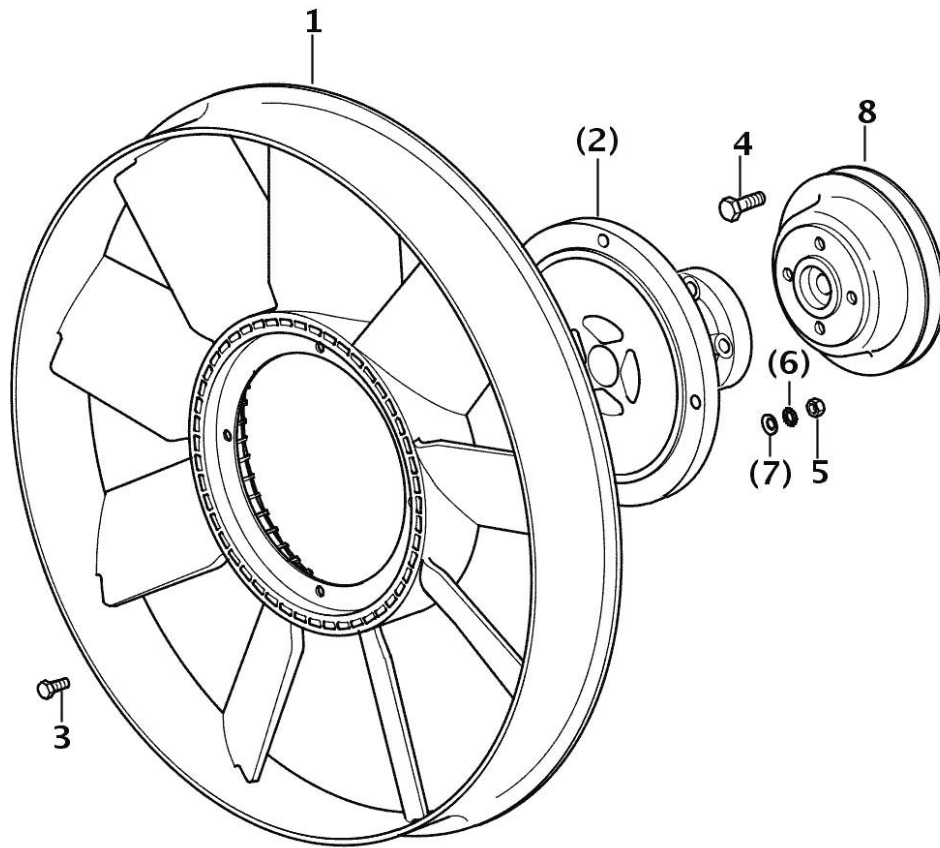


Fig.	P/n	QTY	Name
			1545 <- X Agroplus 85
			1396 <- X Agroplus 95
			1342 <- X Agroplus 100
6	2.1470.004.2	4	lock washer 8
			1545 <- X Agroplus 85
			1396 <- X Agroplus 95
			1342 <- X Agroplus 100
7	2.1480.014.1	4	washer 8
			1545 <- X Agroplus 85
			1396 <- X Agroplus 95
			1342 <- X Agroplus 100
8	0.011.0807.0/10	1	pulley

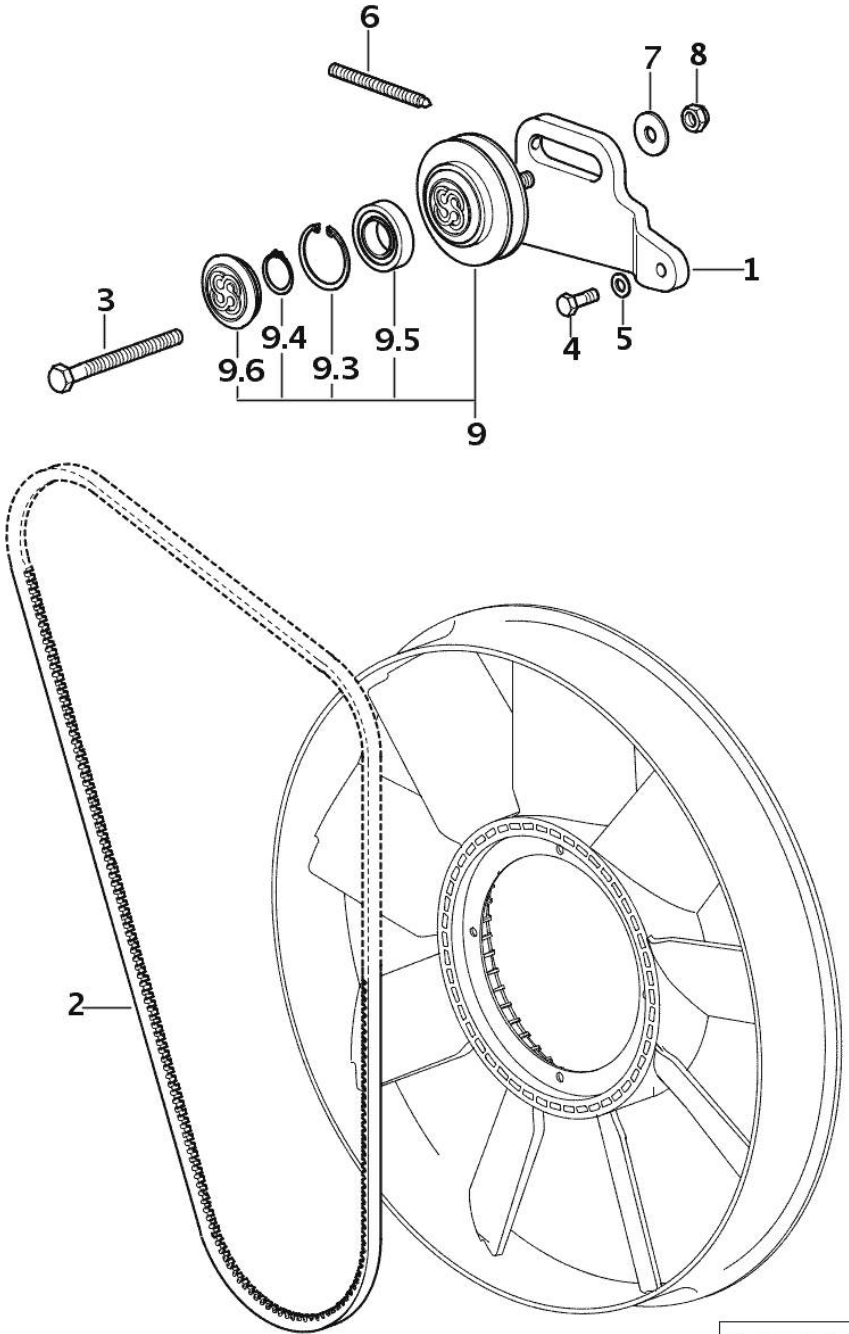
9_39819_01_0_

Section: ENGINE
V-BELT - FOR TRACTORS WITHOUT AIR CONDITIONING

Fig.	P/n	QTY	Name
------	-----	-----	------

Notes:
[Agroplus 100]

1	0.011.3985.2	1	plate -> 1273 X Agroplus 75 -> 1376 X Agroplus 85 -> 1296 X Agroplus 95 -> 1223 X Agroplus 100
1	04412989	1	bracket 1272 <- X Agroplus 75 1375 <- X Agroplus 85 1295 <- X Agroplus 95 1222 <- X Agroplus 100
2	0.007.0967.0	1	belt AV 12.7x1470 mm -> 1273 X Agroplus 75 -> 1376 X Agroplus 85 -> 1296 X Agroplus 95 -> 1223 X Agroplus 100
2	2.4119.123.0	1	belt mm 12.7x1525 1272 <- X Agroplus 75 1375 <- X Agroplus 85 1295 <- X Agroplus 95 1222 <- X Agroplus 100
3	2.0112.331.2	1	screw m 10 p.1.5x110 -> 1273 X Agroplus 75 -> 1376 X Agroplus 85 -> 1296 X Agroplus 95 -> 1223 X Agroplus 100
3	2.0112.333.2	1	screw m 10 p.1.5x120 1272 <- X Agroplus 75 1375 <- X Agroplus 85 1295 <- X Agroplus 95 1222 <- X Agroplus 100
4	2.0122.209.2	1	screw m 8 p.1 x 25
5	2.1310.004.2	1	flat washer 8.4x17
6	2.0399.221.2	1	screw m 8 p.1.25 x 95 -> 1273 X Agroplus 75 -> 1376 X Agroplus 85 -> 1296 X Agroplus 95 -> 1223 X Agroplus 100
7	2.1579.520.0	1	washer -> 1273 X Agroplus 75 -> 1376 X Agroplus 85 -> 1296 X Agroplus 95



9_39719_01_0_

V-BELT - FOR TRACTORS WITHOUT AIR CONDITIONING

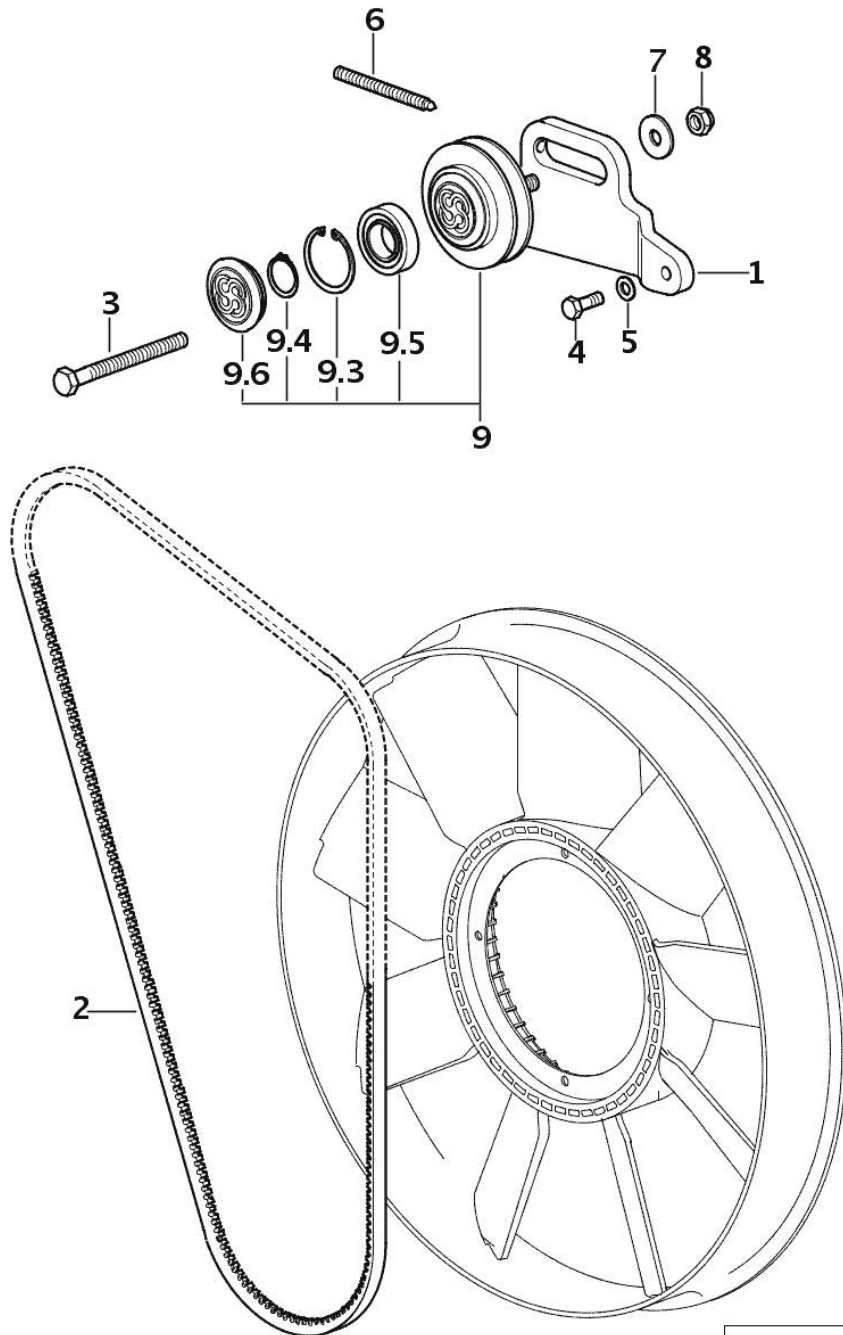


Fig.	P/n	QTY	Name
8	2.1120.221.2	1	-> 1223 X Agroplus 100 self-locking nut m 10 p.1.25 -> 1273 X Agroplus 75 -> 1376 X Agroplus 85 -> 1296 X Agroplus 95 -> 1223 X Agroplus 100
9	0.010.4406.4	1	pulley guide -> 1273 X Agroplus 75 -> 1376 X Agroplus 85 -> 1296 X Agroplus 95 -> 1223 X Agroplus 100
9.3	2.1411.019.1	1	circlip 47
9.4	2.1410.010.1	1	circlip 25
9.5	2.2999.330.0	1	special bearing 25 x 47 x 12
9.6	2.3199.089.0	1	small cover

9_39719_01_0_

Section: ENGINE

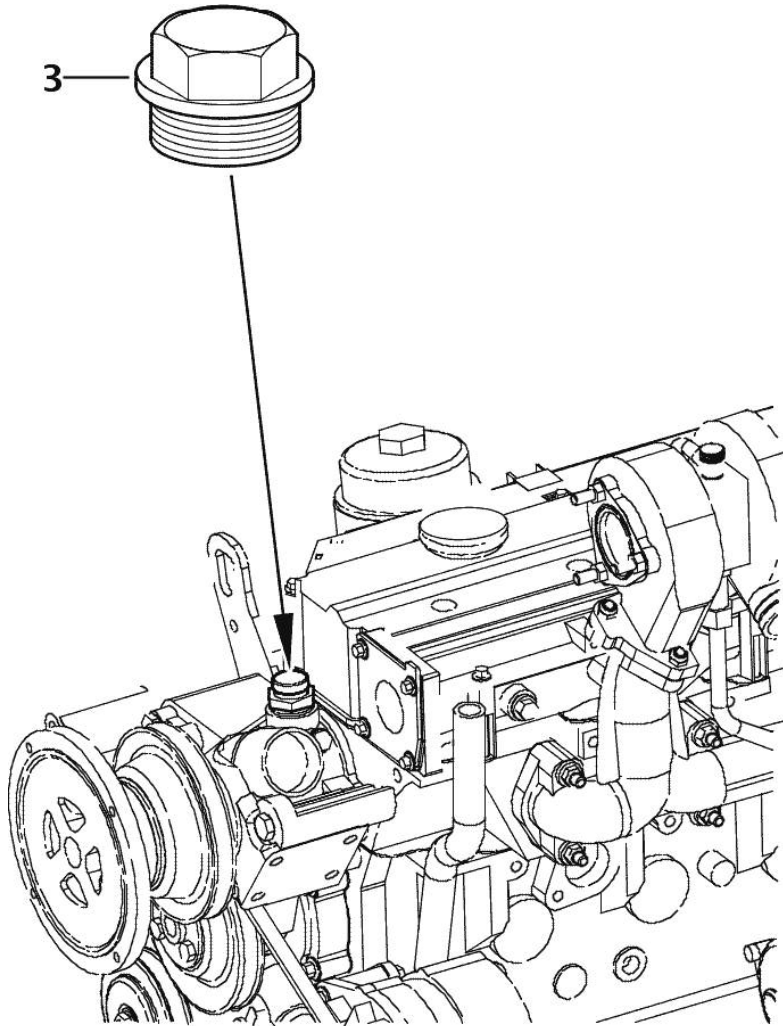
PLUGS FOR HEATING WATER INLET/OUTLET HOLES

Fig.	P/n	QTY	Name
------	-----	-----	------

Notes:

- FOR MODELS WITHOUT CAB [Agroplus 100]

3	2.3119.043.2	2	plug m 26 p.1.5
---	--------------	---	-----------------



9_77876_03_0_1

Section: ENGINE
AIR COMPRESSOR

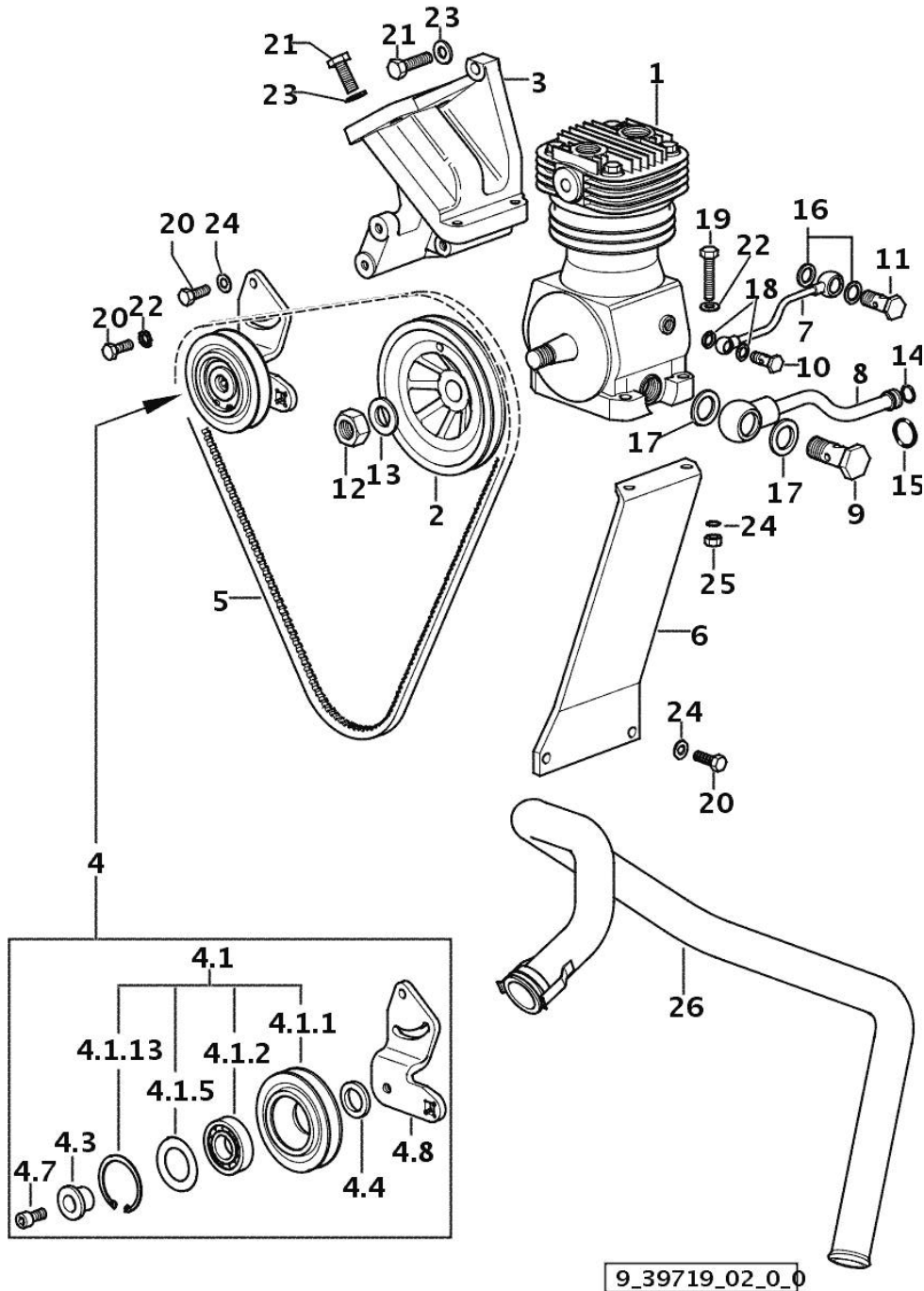


Fig.	P/n	QTY	Name
------	-----	-----	------

Notes:
 [Agroplus 100]

1	04414768	1	compressor kpl. COMPONENT PARTS SEE COMPONENTS LIST ☞ 04414768
2	04415450	1	pulley
3	04426837	1	support
4	0.000.0000.1		cannot be supplied
4.1	04205953.4	1	tensioner
4.1.1	04205910	1	pulley
4.1.2	01179676	1	bearing
4.1.5	04205991	1	ring
4.1.13	01107838	1	circlip
4.3	04412992	1	bushing
4.4	04205913	1	ring
4.7	01110653	1	screw
4.8	04415451	1	stop
5	2.4119.170.0	1	belt AV 12.7x1300 mm
6	04415208	1	lever
7	04414715	1	tube
8	04414762	1	tube
9	2.3335.009.2	1	pipe union m 22 p.1.5 x 39
10	2.3335.004.2	1	pipe union m 10 p.1x24
11	2.3335.006.2	1	pipe union m 14 p.1.5X26
12	2.1011.510.2	1	nut m 18 p.1.5
13	2.1310.011.2	1	flat washer 19x34
14	2.1519.128.0	1	special oil seal 12x3
15	2.1519.129.0	1	special oil seal 22x3.5
16	2.1560.010.0	2	gasket 14.2 x 20
17	2.1560.018.0	2	gasket 22.2 x 29
18	2.1560.006.0	2	gasket 10.2 x 16
19	2.0112.215.2	2	screw m 8 p.1.25 x 40
20	2.0112.207.2	4	screw m 8 p 1.25 x 20
21	2.0112.311.2	5	screw m 10 p.1.5 x 30
22	2.1310.004.2	5	flat washer 8.4x17
23	2.1310.006.2	5	flat washer 10.5x21
24	2.1470.004.2	4	lock washer 8
25	2.1011.105.2	2	nut m 8 p.1.25
26	0.010.7761.2/10	1	tube

9_39719_02_0_0

Buy Now



Our support email:

ebooklibonline@outlook.com