

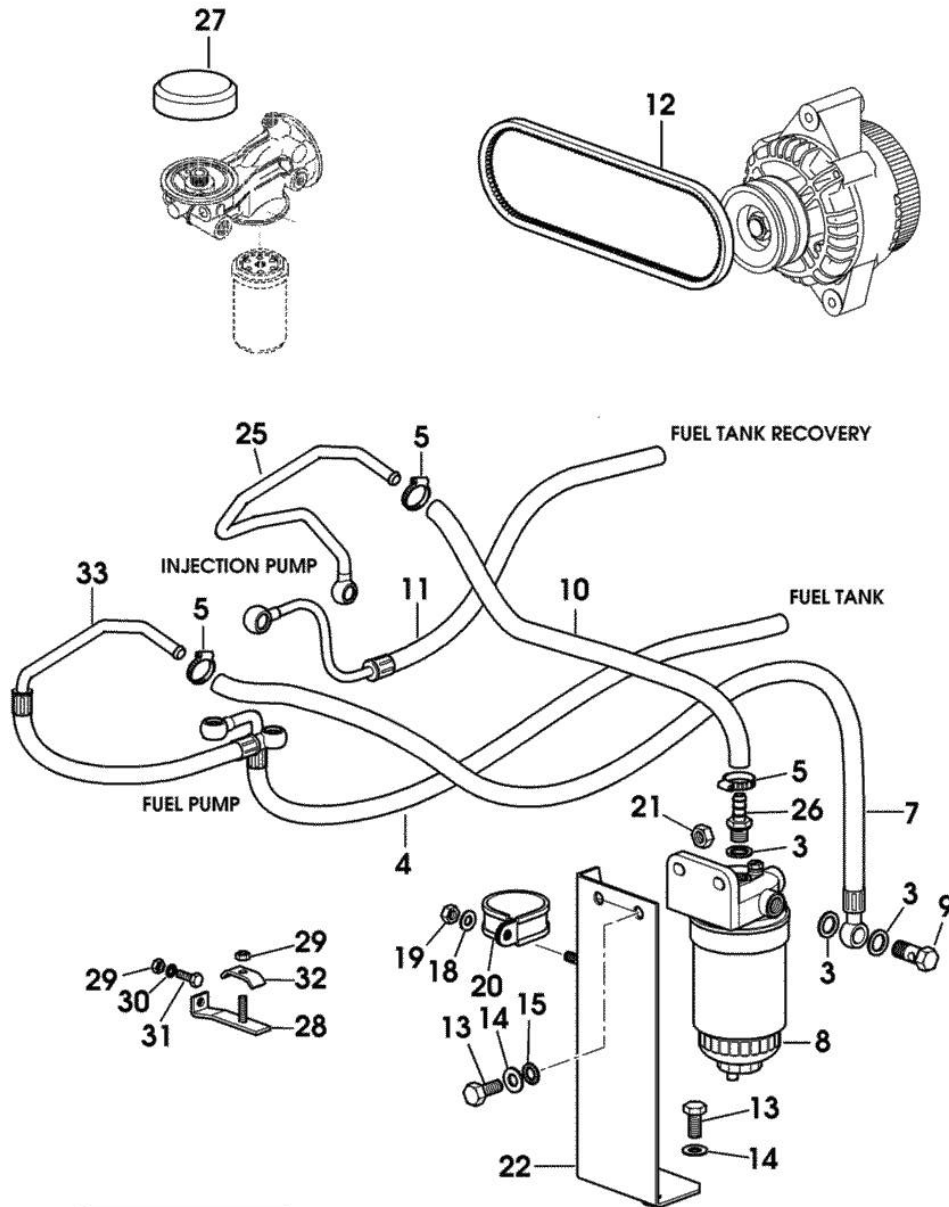
Section: ENGINE

**PARTS SET - ENGINE MOUNTING**

Fig.	P/n	QTY	Name
------	-----	-----	------

Notes:  
[Agroplus 70]

3	2.1561.007.0	5	copper gasket 14,8x22.2
4	0.013.6807.3	1	tube
5	2.6851.001.0	4	clamp Ø 16/25
7	0.013.6809.3/10	1	tube
8	2.4319.230.0	1	fuel filter
COMPONENT PARTS SEE COMPONENTS LIST			
☞ 2.4319.230.0			
9	2.3332.004.1	1	pipe union m 14 p.1.5
10	0.012.6449.0	1	tube
11	0.013.6796.3/20	1	tube
12	2.4119.163.0	1	belt mm 10.7x1500
13	2.0112.309.2	4	screw m 10 p.1.5 x 25
14	2.1310.006.2	2	flat washer 10.5x21
15	2.1470.006.2	2	lock washer 10
18	2.1310.004.2	1	flat washer 8.4x17
19	2.1011.105.2	1	nut m 8 p.1.25
20	2.6839.063.0	1	clamp Ø 50
21	2.1011.106.2	2	nut m 10 p.1.5
22	0.010.5692.3/20	1	support
25	0.013.6694.3/20	1	tube
26	2.3339.723.2	1	pipe fitting m 14 p.1.5
27	0.010.6230.0/10	1	plug
28	0.013.6697.3	1	bracket
29	2.1011.103.2	2	nut m 6 p.1
30	2.1470.002.2	1	lock washer 6
31	2.0114.013.2	1	screw m 6 p.1 x 35
32	0.154.6377.0	1	terminal
33	0.013.7940.3	1	tube



9\_M5819\_10\_0\_0

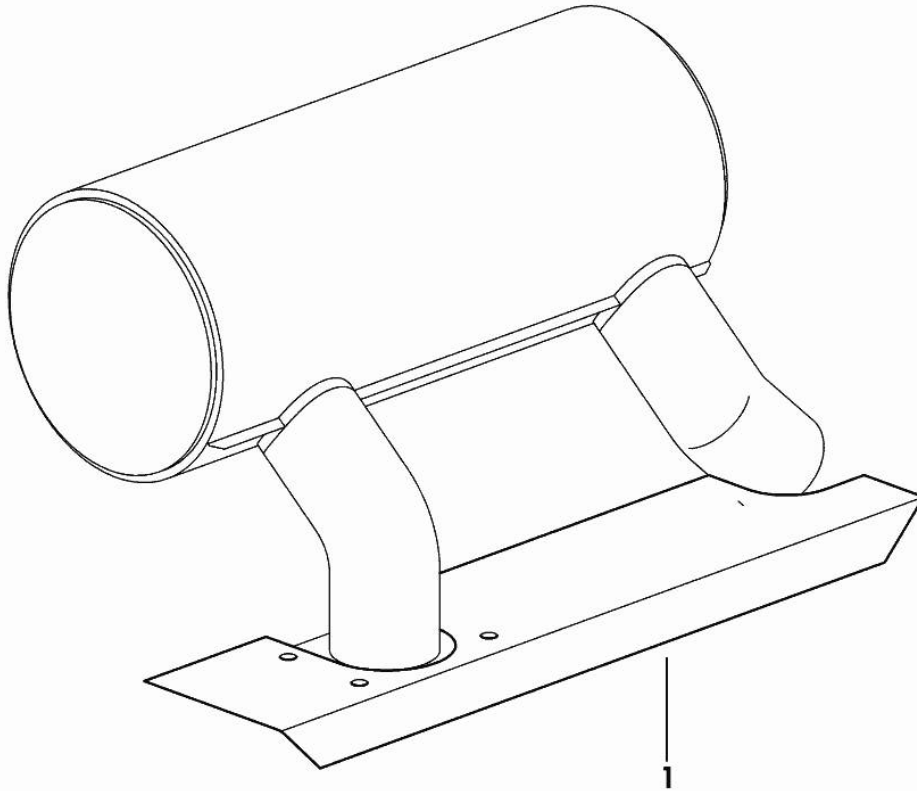
Section: ENGINE

**EXHAUST SILENCER - DEFLECTOR**

Fig.	P/n	QTY	Name
------	-----	-----	------

Notes:  
[Agroplus 70]

1	0.012.0248.0	1	baffle
---	--------------	---	--------



9\_68472\_02\_0\_0

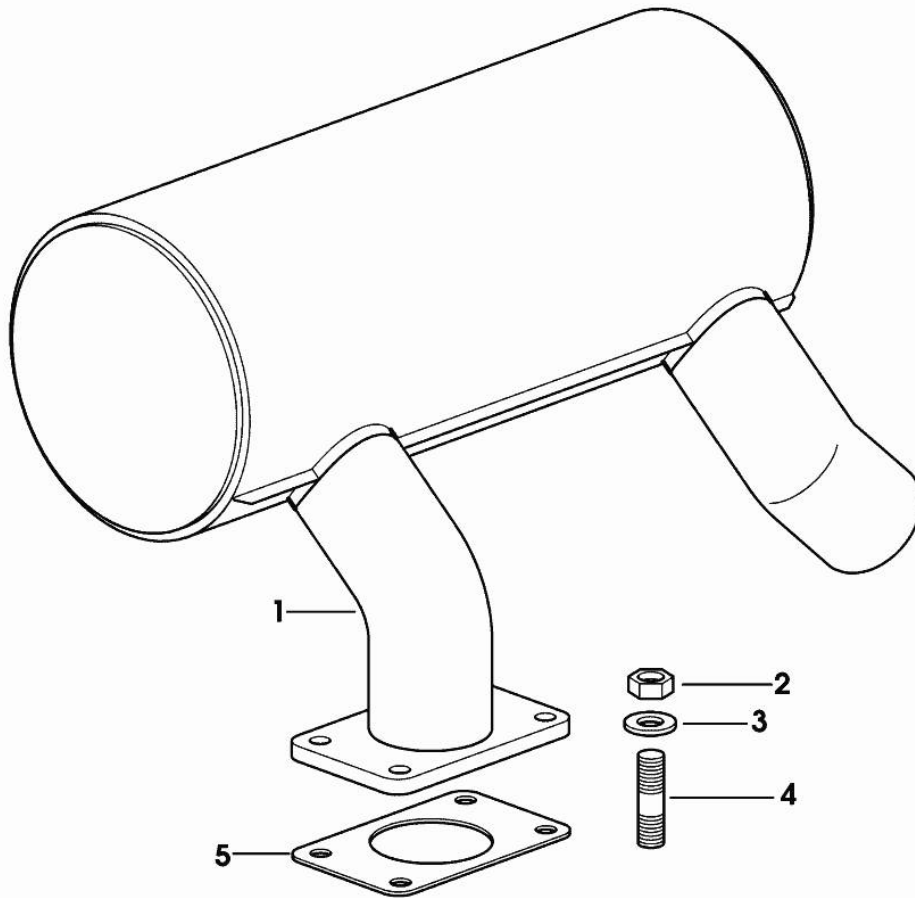
Section: ENGINE

**SIDE EXHAUST SILENCER**

Fig.	P/n	QTY	Name
------	-----	-----	------

Notes:  
[Agroplus 70]

1	0.010.5633.4/20	1	silencer
2	2.1019.033.0	4	special nut m 8 p.1
3	2.1474.009.2	4	spring washer 8
4	2.0432.007.2	4	stud bolt m 8 p.1.25 / p.1 x 30
5	0.010.6089.0	1	gasket



9\_68456\_00\_0\_0

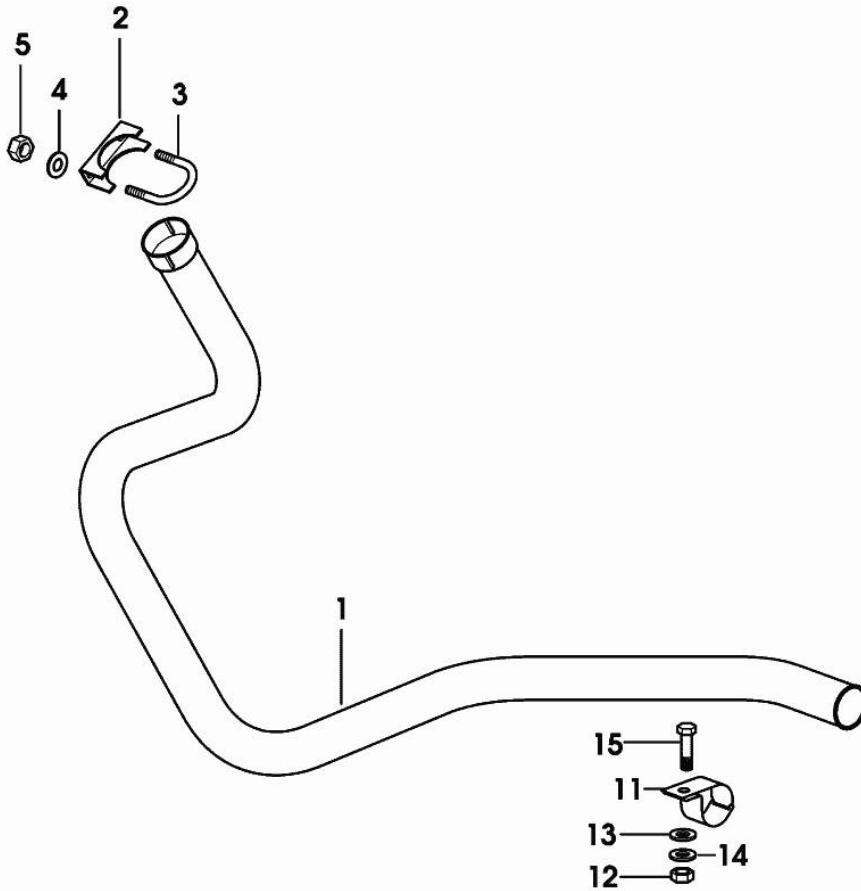
Section: ENGINE

**REAR EXHAUST SILENCER**

Fig.	P/n	QTY	Name
------	-----	-----	------

Notes:  
[Agroplus 70]

1	0.010.6076.3	1	exhaust pipe
2	0.007.1440.0	1	clamp
3	0.007.1441.0/10	1	u bolt
4	2.1474.009.2	2	spring washer 8
5	2.1011.105.2	2	nut m 8 p.1.25
11	0.012.6653.2	1	fascia
12	2.1011.105.2	1	nut m 8 p.1.25
13	2.1310.004.2	1	flat washer 8.4x17
14	2.1470.004.2	1	lock washer 8
15	2.0122.209.2	1	screw m 8 p.1 x 25



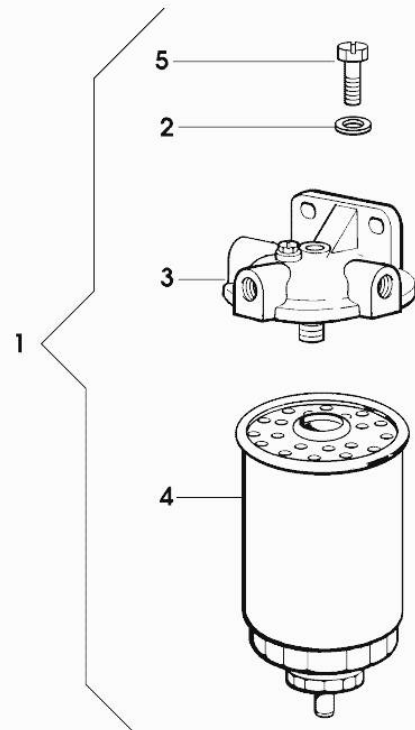
9\_68456\_01\_0\_0



Section: ENGINE

**FUEL FILTER PARTS**

Fig.	P/n	QTY	Name
1	2.4319.230.0	1	fuel filter
2	0.009.4687.2	1	washer
3	0.000.0000.1		cannot be supplied
4	0.009.4687.0	1	fuel filter element
5	0.009.4687.1	1	screw



2\_4319\_230\_0

Section: ENGINE

**LOCK**

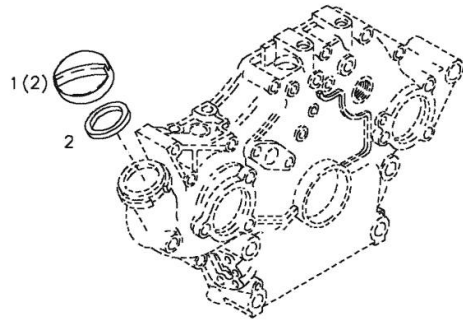
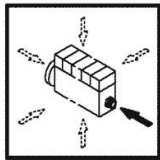
Fig.	P/n	QTY	Name
------	-----	-----	------

**Notes:**  
[Agroplus 70]

**Engine serial number:**

8684352 8690973 8690974 8690975 8690976 8690977 8705798 8705799 8705800 8705801 8705802 8707904 8707905  
8707906 8707907 8707908 8707909 8707910 8707911 8707912 8707913 8707914 8707915 8707916 8707917 8707918  
8707919 8707920 8707921 8707922 8707923 8710270 8710271 8710272 8710273 8710274 8710275 8710276 8710277  
8710278 8710279 8710436 8710437 8710438 8710439 8710440 8710441 8710442 8710443 8710444 8710445 8710446  
8710447 8710448 8710449 8710450 8710451 8710452 8710453 8710454 8710455 8729906 8729907 8729908 8729909  
8729910 8729911 8729912 8729913 8729914 8729915 8729916 8729917 8729918 8729919 8729920 8731512 8731513  
8731514 8731515 8731516 8731517 8731518 8731519 8731520 8731521 8731522 8731523 8731524 8731525 8731526  
8732650 8732651 8732652 8732653 8732654 8733137 8733138 8733139 8733140 8733141 8733142 8733143 8733144  
8733145 8733146 8733643 8733644 8733645 8733646 8733647

001 ©



1	01236291	1	plug WITH ITEM .... (2)
2	01236290	1	oil seal

**Buy Now**



Our support email:

[ebooklibonline@outlook.com](mailto:ebooklibonline@outlook.com)