

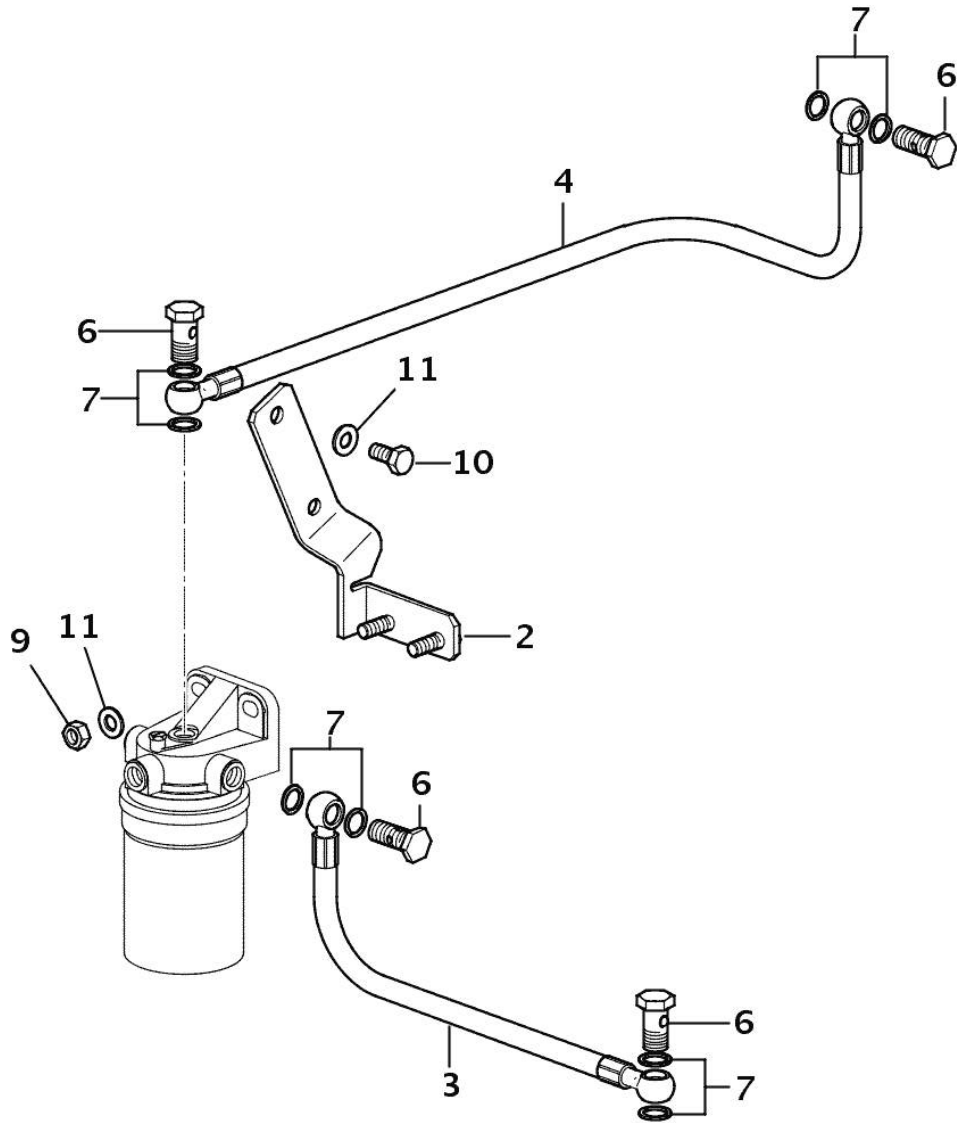
Section: ENGINE

**FUEL PIPES**

| Fig. | P/n | QTY | Name |
|------|-----|-----|------|
|------|-----|-----|------|

Notes:  
[Agroplus 75]

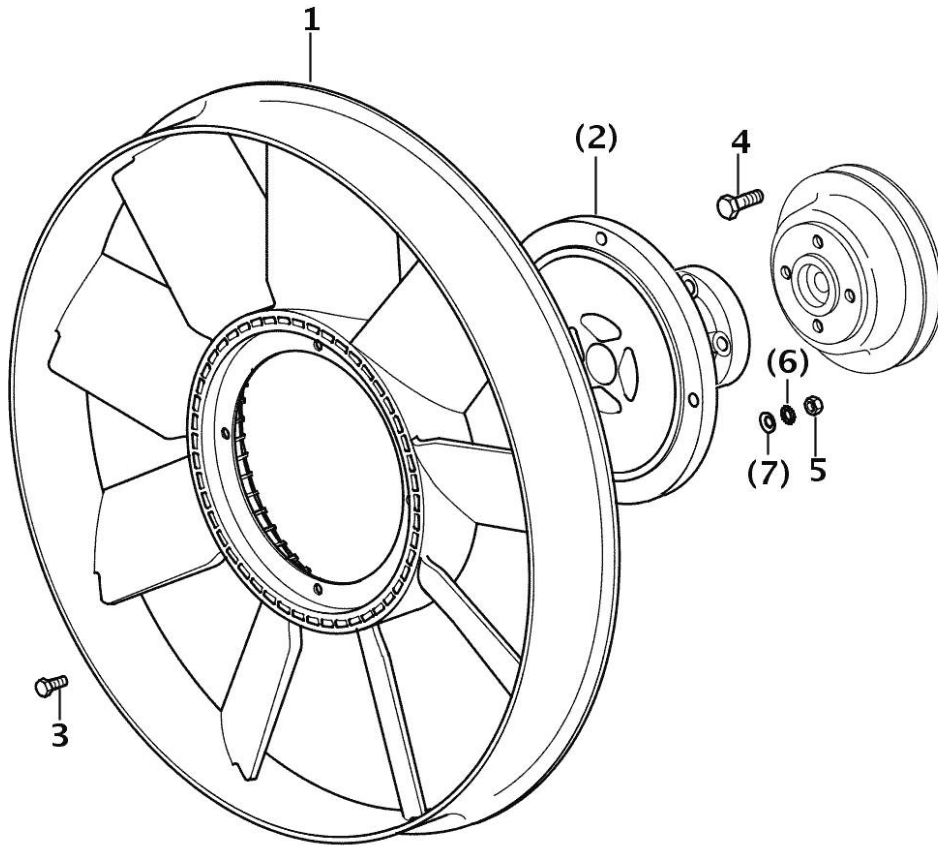
|    |                 |   |                       |
|----|-----------------|---|-----------------------|
| 2  | 0.010.9435.3/10 | 1 | support               |
| 3  | 0.010.9530.3    | 1 | tube                  |
| 4  | 0.010.9531.3    | 1 | tube                  |
| 6  | 2.3332.004.1    | 4 | pipe union m 14 p.1.5 |
| 7  | 2.1560.010.0    | 8 | gasket 14.2 x 20      |
| 9  | 2.1011.106.2    | 2 | nut m 10 p.1.5        |
| 10 | 2.0112.308.2    | 2 | screw m 10 p.1.5x22   |
| 11 | 2.1310.006.2    | 4 | flat washer 10.5x21   |



9\_39719\_03\_0\_0

Section: ENGINE

FAN UNIT



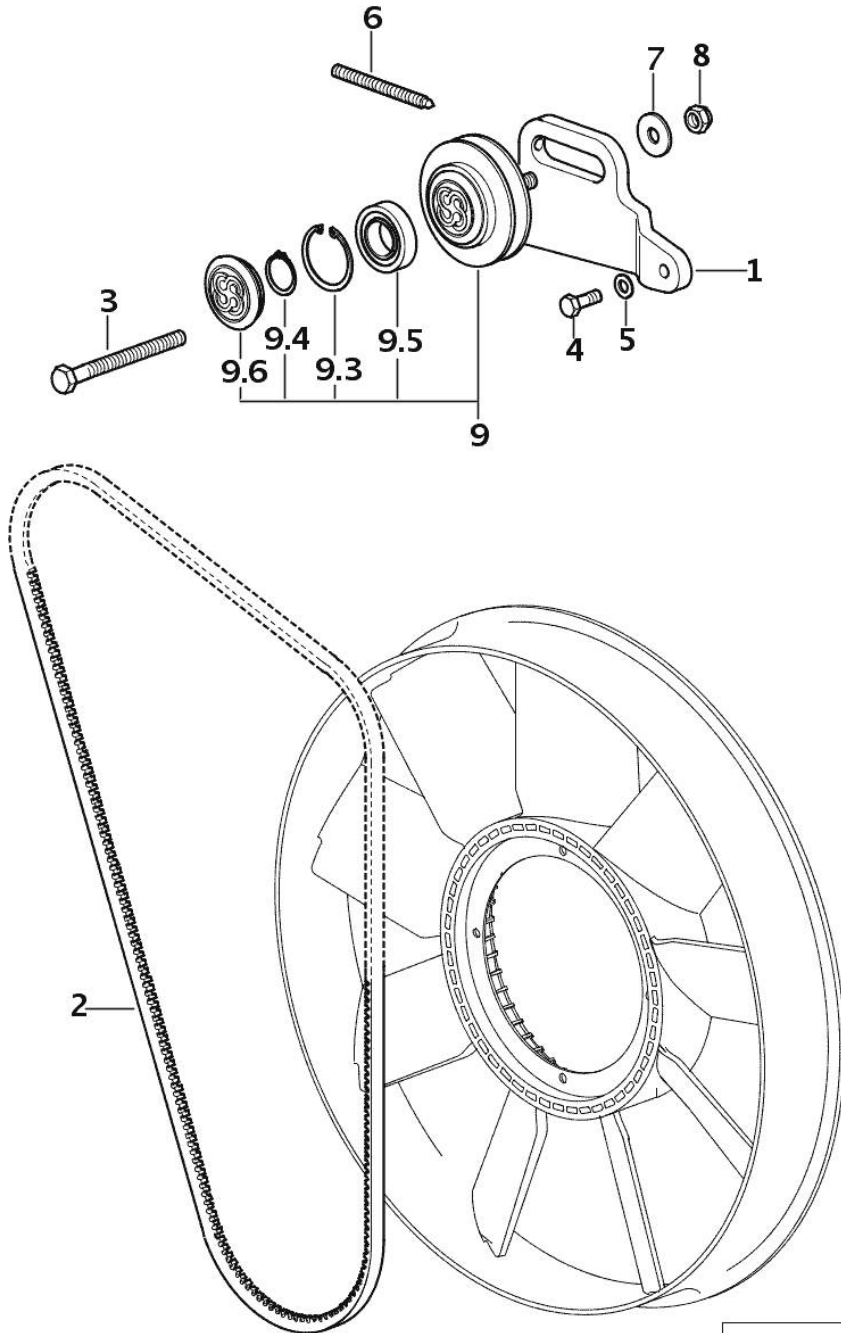
| Fig. | P/n | QTY | Name |
|------|-----|-----|------|
|------|-----|-----|------|

Notes:  
[Agroplus 75]

|   |              |   |  |
|---|--------------|---|--|
| 1 | 0.010.9778.0 | 1 | fan<br>1336 <- X Agroplus 75                             |
| 1 | 04411970     | 1 | impeller<br>-> 1337 X Agroplus 75                        |
| 2 | 0.010.9743.0 | 1 | hub<br>1336 <- X Agroplus 75                             |
| 2 | 04207957     | 1 | hub<br>-> 1337 - 1785 <- X Agroplus 75                   |
| 3 | 2.0112.005.2 | 4 | screw m 6 p.1 x 16<br>-> 1337 - 1556 <- X Agroplus 75    |
| 3 | 2.0112.007.2 | 4 | screw m 6 p.1 x 20<br>-> 1557 X Agroplus 75              |
| 3 | 2.0432.003.7 | 4 | stud bolt m 8 p.1.25 / p.1 x 20<br>1336 <- X Agroplus 75 |
| 4 | 2.0112.209.2 | 4 | screw m 8 p 1.25 x 25<br>-> 1337 X Agroplus 75           |
| 4 | 2.0312.214.2 | 4 | screw m 8 p.1.25 x 40<br>1336 <- X Agroplus 75           |
| 5 | 2.1011.003.2 | 4 | nut m 6 p.1, d934<br>-> 1337 X Agroplus 75               |
| 5 | 2.1011.405.2 | 4 | nut m 8 p.1<br>1336 <- X Agroplus 75                     |
| 6 | 2.1470.004.2 | 4 | lock washer 8<br>1336 <- X Agroplus 75                   |
| 7 | 2.1480.014.1 | 4 | washer 8<br>1336 <- X Agroplus 75                        |

9\_39719\_04\_0\_

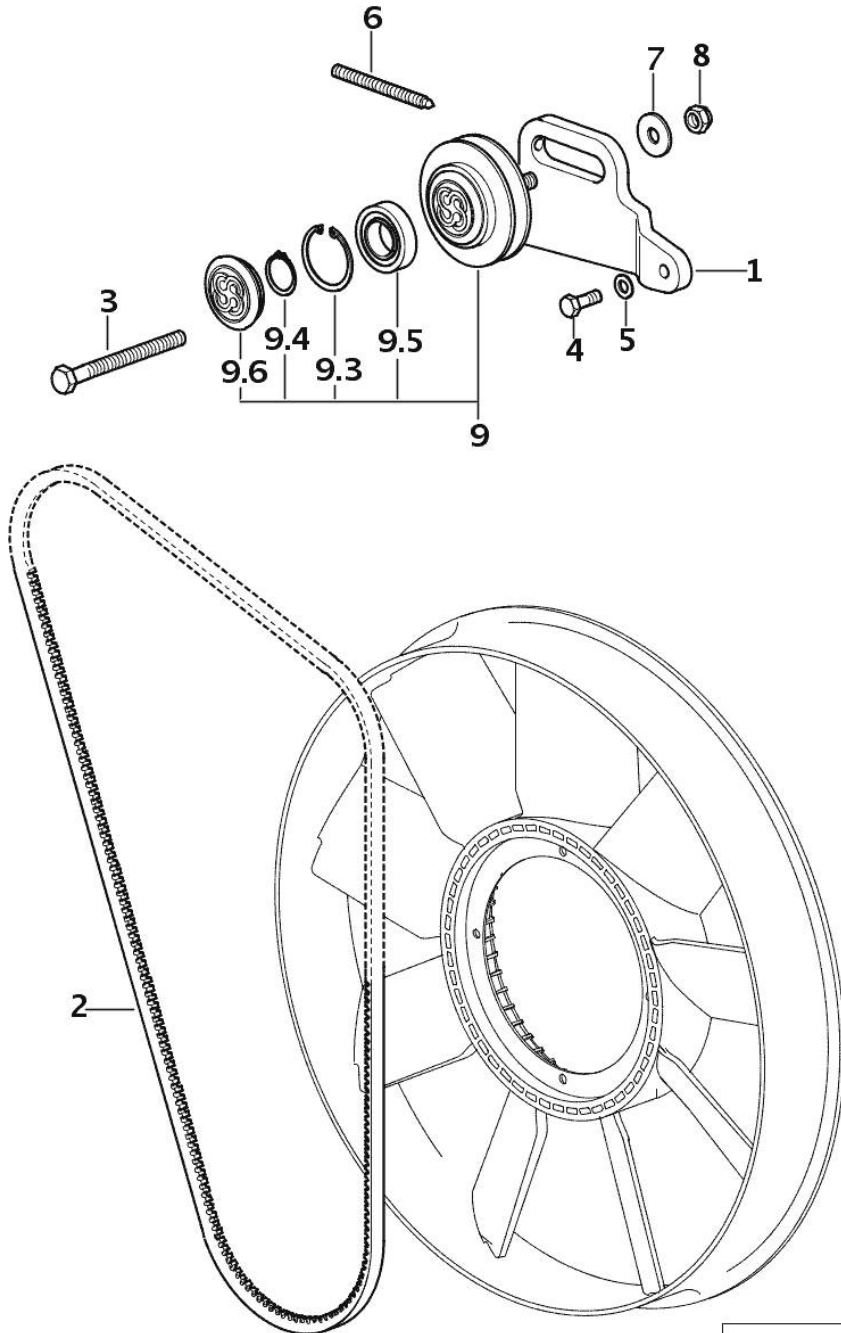
**V-BELT - FOR TRACTORS WITHOUT AIR CONDITIONING**



9\_39719\_01\_0\_

| Fig.                           | P/n          | QTY | Name   |
|--------------------------------|--------------|-----|--|
| <b>Notes:</b><br>[Agroplus 75] |              |     |  |
| 1                              | 0.011.3985.2 | 1   | plate<br>-> 1273 X Agroplus 75<br>-> 1376 X Agroplus 85<br>-> 1296 X Agroplus 95<br>-> 1223 X Agroplus 100                 |
| 1                              | 04412989     | 1   | bracket<br>1272 <- X Agroplus 75<br>1375 <- X Agroplus 85<br>1295 <- X Agroplus 95<br>1222 <- X Agroplus 100               |
| 2                              | 0.007.0967.0 | 1   | belt AV 12.7x1470 mm<br>-> 1273 X Agroplus 75<br>-> 1376 X Agroplus 85<br>-> 1296 X Agroplus 95<br>-> 1223 X Agroplus 100  |
| 2                              | 2.4119.123.0 | 1   | belt mm 12.7x1525<br>1272 <- X Agroplus 75<br>1375 <- X Agroplus 85<br>1295 <- X Agroplus 95<br>1222 <- X Agroplus 100     |
| 3                              | 2.0112.331.2 | 1   | screw m 10 p.1.5x110<br>-> 1273 X Agroplus 75<br>-> 1376 X Agroplus 85<br>-> 1296 X Agroplus 95<br>-> 1223 X Agroplus 100  |
| 3                              | 2.0112.333.2 | 1   | screw m 10 p.1.5x120<br>1272 <- X Agroplus 75<br>1375 <- X Agroplus 85<br>1295 <- X Agroplus 95<br>1222 <- X Agroplus 100  |
| 4                              | 2.0122.209.2 | 1   | screw m 8 p.1 x 25   |
| 5                              | 2.1310.004.2 | 1   | flat washer 8.4x17   |
| 6                              | 2.0399.221.2 | 1   | screw m 8 p.1.25 x 95<br>-> 1273 X Agroplus 75<br>-> 1376 X Agroplus 85<br>-> 1296 X Agroplus 95<br>-> 1223 X Agroplus 100 |
| 7                              | 2.1579.520.0 | 1   | washer<br>-> 1273 X Agroplus 75<br>-> 1376 X Agroplus 85<br>-> 1296 X Agroplus 95  |

**V-BELT - FOR TRACTORS WITHOUT AIR CONDITIONING**



| Fig. | P/n          | QTY | Name  |
|------|--------------|-----|---|
| 8    | 2.1120.221.2 | 1   | -> 1223 X Agroplus 100<br>self-locking nut m 10 p.1.25<br>-> 1273 X Agroplus 75<br>-> 1376 X Agroplus 85<br>-> 1296 X Agroplus 95<br>-> 1223 X Agroplus 100 |
| 9    | 0.010.4406.4 | 1   | pulley guide<br>-> 1273 X Agroplus 75<br>-> 1376 X Agroplus 85<br>-> 1296 X Agroplus 95<br>-> 1223 X Agroplus 100   |
| 9.3  | 2.1411.019.1 | 1   | circlip 47  |
| 9.4  | 2.1410.010.1 | 1   | circlip 25  |
| 9.5  | 2.2999.330.0 | 1   | special bearing 25 x 47 x 12  |
| 9.6  | 2.3199.089.0 | 1   | small cover   |

9\_39719\_01\_0\_

Section: ENGINE

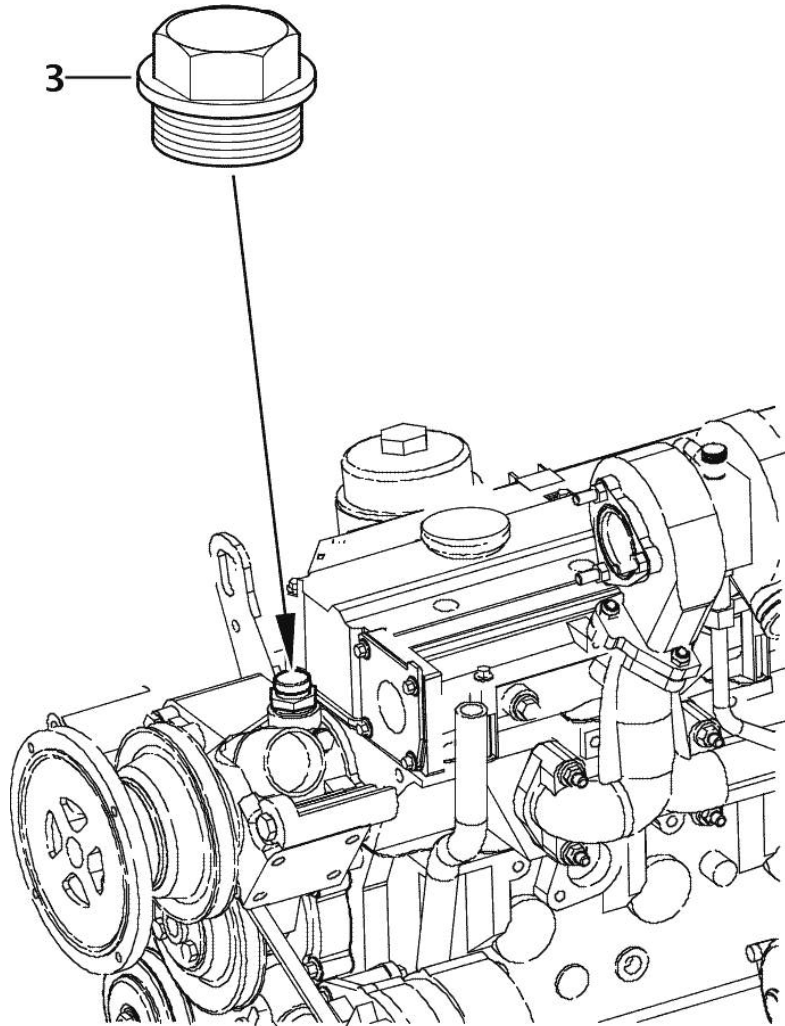
**PLUGS FOR HEATING WATER INLET/OUTLET HOLES**

| Fig. | P/n | QTY | Name |
|------|-----|-----|------|
|------|-----|-----|------|

**Notes:**

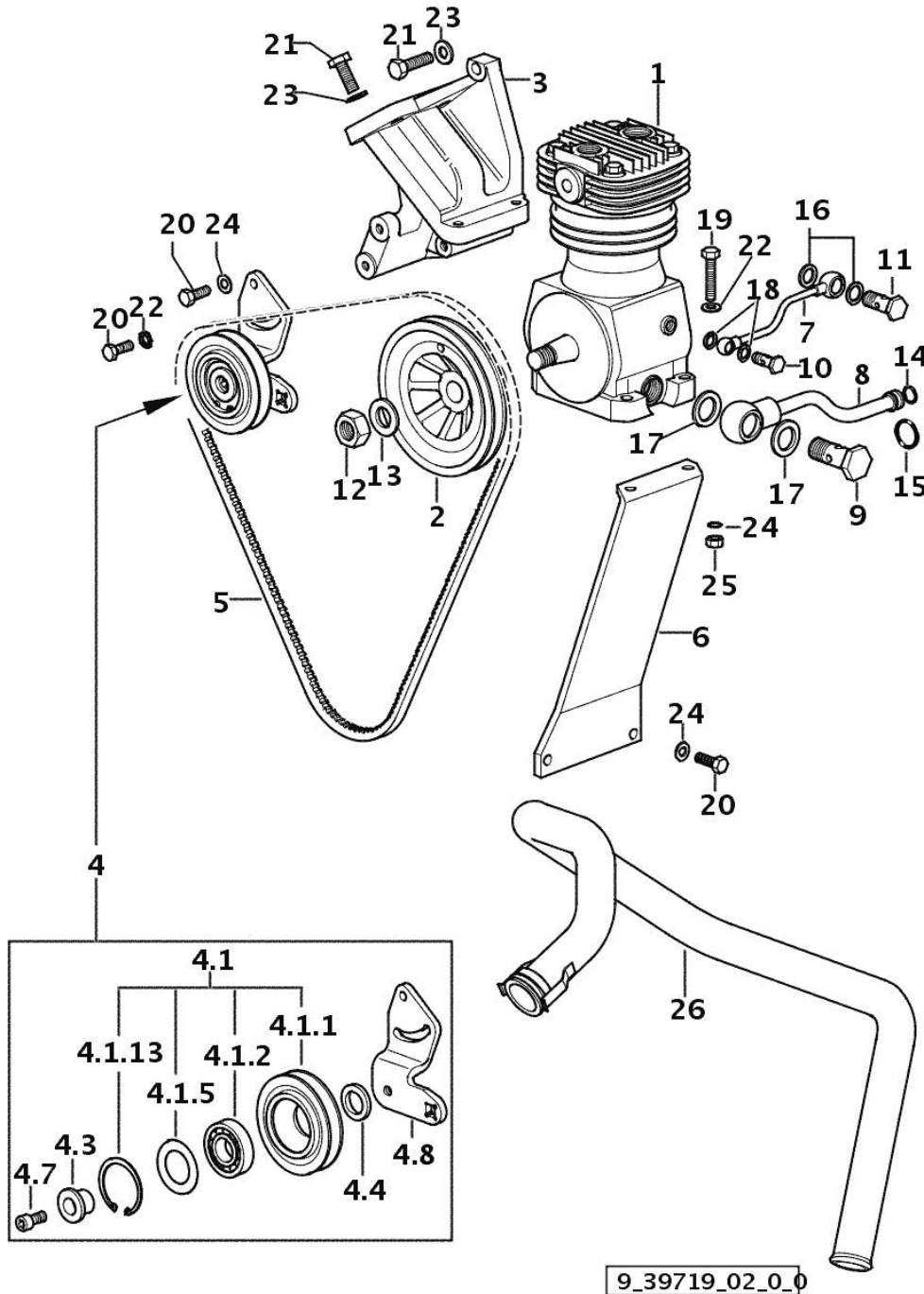
- FOR MODELS WITHOUT CAB [Agroplus 75]

|   |              |   |                 |
|---|--------------|---|-----------------|
| 3 | 2.3119.043.2 | 2 | plug m 26 p.1.5 |
|---|--------------|---|-----------------|



9\_77876\_03\_0\_1

Section: ENGINE  
**AIR COMPRESSOR**



| Fig. | P/n | QTY | Name |
|------|-----|-----|------|
|------|-----|-----|------|

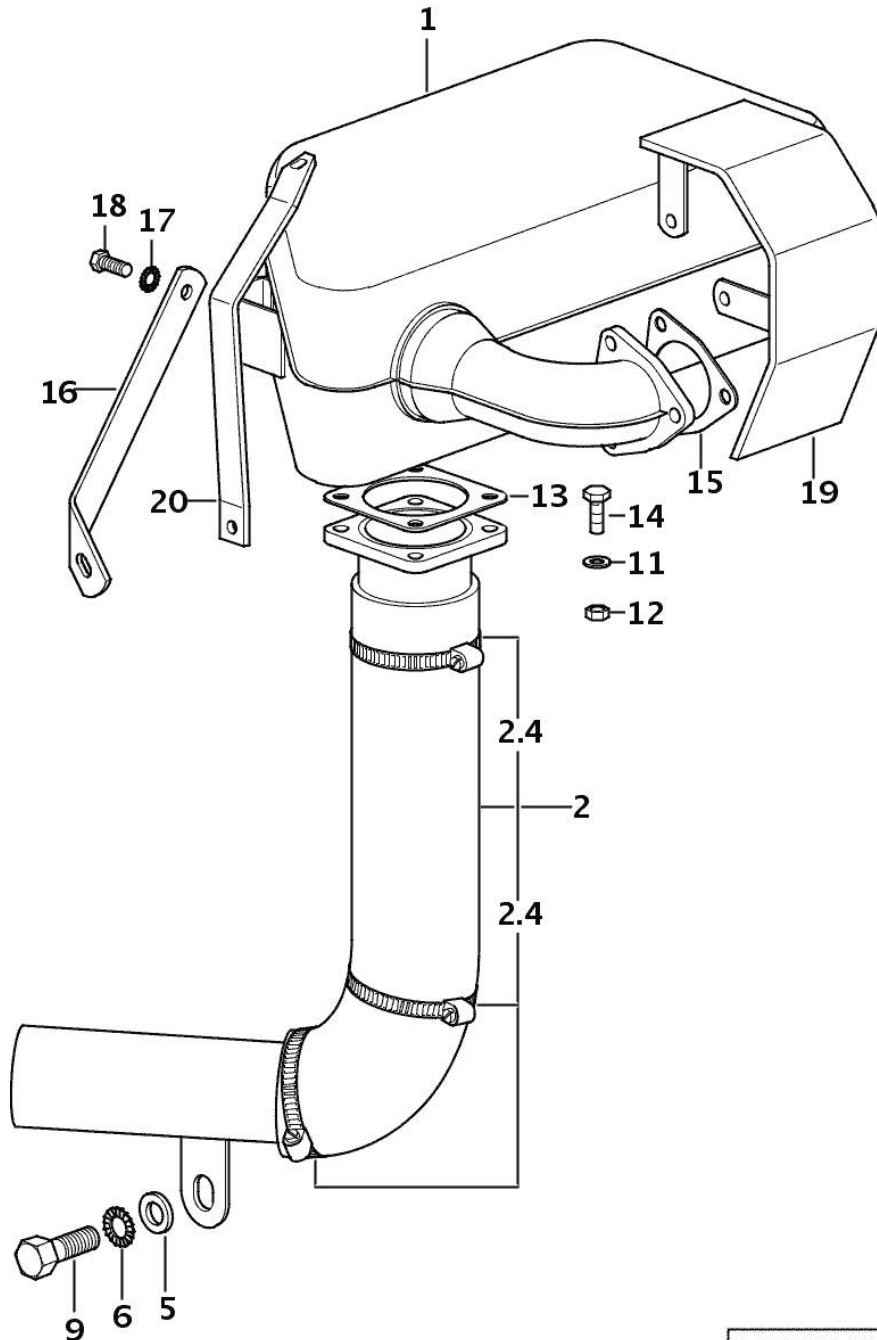
Notes:  
 [Agroplus 75]

|        |                 |   |  |
|--------|-----------------|---|--|
| 1      | 04414768        | 1 | compressor kpl.<br>COMPONENT PARTS SEE COMPONENTS LIST<br>☞ 04414768 |
| 2      | 04415450        | 1 | pulley   |
| 3      | 04426837        | 1 | support  |
| 4      | 0.000.0000.1    |   | cannot be supplied   |
| 4.1    | 04205953.4      | 1 | tensioner  |
| 4.1.1  | 04205910        | 1 | pulley   |
| 4.1.2  | 01179676        | 1 | bearing  |
| 4.1.5  | 04205991        | 1 | ring   |
| 4.1.13 | 01107838        | 1 | circlip  |
| 4.3    | 04412992        | 1 | bushing  |
| 4.4    | 04205913        | 1 | ring   |
| 4.7    | 01110653        | 1 | screw  |
| 4.8    | 04415451        | 1 | stop   |
| 5      | 2.4119.170.0    | 1 | belt AV 12.7x1300 mm   |
| 6      | 04415208        | 1 | lever  |
| 7      | 04414715        | 1 | tube   |
| 8      | 04414762        | 1 | tube   |
| 9      | 2.3335.009.2    | 1 | pipe union m 22 p.1.5 x 39   |
| 10     | 2.3335.004.2    | 1 | pipe union m 10 p.1x24   |
| 11     | 2.3335.006.2    | 1 | pipe union m 14 p.1.5X26   |
| 12     | 2.1011.510.2    | 1 | nut m 18 p.1.5   |
| 13     | 2.1310.011.2    | 1 | flat washer 19x34  |
| 14     | 2.1519.128.0    | 1 | special oil seal 12x3  |
| 15     | 2.1519.129.0    | 1 | special oil seal 22x3.5  |
| 16     | 2.1560.010.0    | 2 | gasket 14.2 x 20   |
| 17     | 2.1560.018.0    | 2 | gasket 22.2 x 29   |
| 18     | 2.1560.006.0    | 2 | gasket 10.2 x 16   |
| 19     | 2.0112.215.2    | 2 | screw m 8 p.1.25 x 40  |
| 20     | 2.0112.207.2    | 4 | screw m 8 p 1.25 x 20  |
| 21     | 2.0112.311.2    | 5 | screw m 10 p.1.5 x 30  |
| 22     | 2.1310.004.2    | 5 | flat washer 8.4x17   |
| 23     | 2.1310.006.2    | 5 | flat washer 10.5x21  |
| 24     | 2.1470.004.2    | 4 | lock washer 8  |
| 25     | 2.1011.105.2    | 2 | nut m 8 p.1.25   |
| 26     | 0.010.7761.2/10 | 1 | tube   |

9\_39719\_02\_0\_0

Section: ENGINE

**SIDE EXHAUST SILENCER - FOR MODELS WITH CAB**



| Fig. | P/n | QTY | Name |
|------|-----|-----|------|
|------|-----|-----|------|

Notes:  
[Agroplus 75]

|     |                 |   |                       |
|-----|-----------------|---|-----------------------|
| 1   | 0.010.9683.3    | 1 | silencer              |
| 2   | 0.010.9685.4/10 | 1 | exhaust pipe          |
| 2.4 | 2.6850.013.0    | 3 | clamp 4               |
| 5   | 2.1310.006.2    | 1 | flat washer 10.5x21   |
| 6   | 2.1470.006.2    | 1 | lock washer 10        |
| 9   | 2.0112.307.2    | 1 | screw m 10 p.1.5 x 20 |
| 11  | 2.1475.002.2    | 4 | conical washer 8      |
| 12  | 2.1011.105.2    | 4 | nut m 8 p.1.25        |
| 13  | 0.010.9862.0    | 1 | gasket                |
| 14  | 2.0112.211.2    | 4 | screw m 8 p.1.25 x 30 |
| 15  | 0.010.9861.0    | 1 | gasket                |
| 16  | 0.010.9718.0    | 1 | bracket               |
| 17  | 2.1470.004.2    | 1 | lock washer 8         |
| 18  | 2.0112.207.2    | 1 | screw m 8 p 1.25 x 20 |
| 19  | 0.011.0763.3    | 1 | guard                 |
| 20  | 0.011.3355.0/10 | 1 | bracket               |

9\_77856\_00\_0

**Buy Now**



Our support email:

[ebooklibonline@outlook.com](mailto:ebooklibonline@outlook.com)