

Section: ENGINE  
**IDLER BEARING**

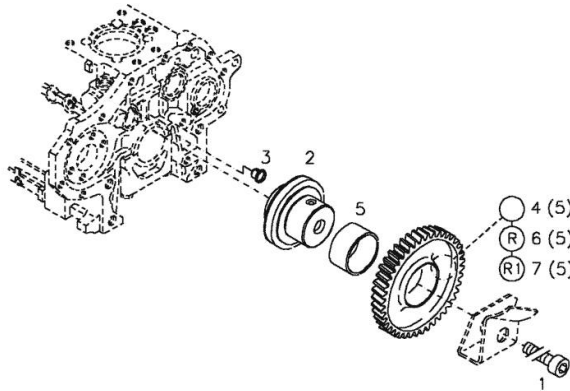
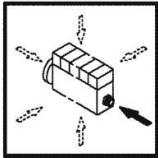
Fig.	P/n	QTY	Name
------	-----	-----	------

Notes:  
 [Agroplus 80]

**Engine serial number:**

8601790 8605205 8605206 8605207 8605208 8605209 8607561 8607562 8607563 8607564 8607565 8607566 8607567  
 8607568 8607569 8607570 8607571 8607572 8607573 8607574 8607575 8607576 8607577 8607578 8611614 8611615  
 8611616 8611617 8611618 8612823 8612824 8612825 8612826 8612827 8612828 8612829 8612830 8612831 8612832  
 8612833 8612834 8612835 8612836 8612837 8616005 8616006 8616007 8616008 8616009 8616010 8616011 8617068  
 8617069 8617070 8617071 8618495 8618496 8618497 8618498 8618499 8618500 8618501 8618502 8619280 8619281  
 8619282 8619283 8619284 8619285 8619286 8619287 8619288 8619289 8619721 8619722 8621962 8621963 8621964  
 8621965 8621966 8621967 8621968 8621969 8621970 8621971 8621972 8623833 8623834 8623835 8623836 8623837  
 8623838 8623839 8623840 8623841 8623842 8623843 8623844 8623845 8623846 8623847 8623848 8623849 8623850  
 8623851 8624019 8624020 8624021 8624022 8624023 8624024 8624025 8624026 8624027 8624028 8624029 8624325  
 8624326 8624327 8624328 8624329 8624330 8624331 8624332 8624333 8627069 8627070 8627071 8627072 8627073  
 8627074 8627075 8627076 8627077 8627078 8627079 8627080 8627081 8627082 8627083 8627084 8627085 8627086  
 8627087 8627088 8627089 8627090 8627091 8627092 8627093 8627094 8627095 8627096 8627097 8627098 8627099  
 8627100 8627964 8627965 8627966 8627967 8627968 8627969 8627970 8627971 8627972 8627973 8627974 8627975  
 8627976 8627977 8627978 8628624 8628625 8628626 8628627 8628628 8628629 8628630 8628631 8628632 8628633  
 8628634 8628635 8628636 8628637 8628638 8628639 8628640 8632506 8632507 8632508 8632509 8632510 8632511  
 8632512 8632513 8632514 8632515 8632516 8632815 8632816 8632817 8632818 8632819 8632820 8632821 8632822  
 8632823 8632824 8632825 8632826 8632827 8634629 8634630 8634631 8634632 8634633 8634634 8634635 8634636  
 8634637 8634638 8634639 8634640 8634641 8634642 8634643 8634644 8634645 8634646 8634647 8634648 8636374  
 8636375 8636376 8636377 8636378 8636379 8636380 8636381 8636382 8636383 8636384 8636385 8636386 8636387  
 8636388 8636389 8636390 8636391 8636392 8637081 8637082 8637083 8637084 8637085 8637086 8637087 8637088  
 8637089 8637090 8637091 8637092 8638687 8638688 8638689 8638690 8638691 8638692 8638693 8638694 8638695  
 8638696 8638697 8638698 8638699 8638700 8638701 8641982 8641983 8641984 8641985 8641986 8641987 8641988  
 8641989 8641990 8641991 8641992 8641993 8641994 8641995 8641996 8642470 8642471 8642472 8642473 8642474  
 8642475 8643219 8643220 8643221 8643222 8643223 8643224 8643225 8643226 8643227 8643228 8643229 8643230  
 8643231 8643820 8643821 8643822 8643823 8644101 8644102 8644103 8644104 8644105 8644106 8644107 8644108  
 8644109 8644110 8644111 8644112 8644113 8645721 8645722 8645723 8645724 8645725 8645726 8645727 8645728  
 8645729 8645730 8645731 8645732 8645733 8645734 8645735 8645736 8648497 8648498 8648499 8648500 8648501  
 8648502 8648503 8648504 8648505 8648506 8648507 8648508 8648509 8648510 8648511 8648512 8648513 8648514  
 8648515 8648516 8648517 8648518 8648519 8648520 8648521 8648522 8648523 8648524 8648525 8648526 8648527  
 8648528 8648529 8648530 8648531 8648532 8649389 8650243 8650244 8650245 8650246 8650247 8650248 8650249  
 8650250 8650251 8650252 8650253 8650254 8652225 8652226 8652227 8652228 8652229 8652230 8652231 8652232  
 8652233 8652234 8652235 8652236 8652237 8652238 8652239 8652240 8652241 8652433 8652434 8652435 8652436  
 8652437 8652438 8652439 8652440 8652441 8652442 8652443 8652444 8652445 8652446 8652447 8652448 8652449  
 8652450 8652451 8652452 8652453 8652454 8652455 8652456 8655717 8655718 8655719 8655720 8655721 8655722  
 8655723 8655724 8655725 8655726 8655727 8655728 8655729 8655730 8655731 8655732 8655733 8655734 8655735  
 8655736 8655737 8655738 8655739 8655740 8655741 8655742 8655743 8655744 8655745 8655746 8655747 8655748  
 8655749 8655750 8655751 8655752 8655753 8655754 8655755 8658053 8658054 8658078 8658079 8658080 8658081  
 8658082 8658083 8658084 8658085 8658086 8658087 8658088 8658089 8658090 8658100 8658101 8658102 8658103  
 8658104 8658105 8658106 8658107 8658108 8658109 8658110 8658111 8658112 8658113 8658114 8658115 8658116  
 8658117 8658118 8658119 8658120 8661579 8661580 8661581 8661605 8661606 8661607 8661608 8661609 8662534  
 8662535 8662536 8662537 8662538 8662539 8664563 8664564 8664565 8664566 8664567 8664568 8664569 8664570  
 8664571 8664572 8664573 8664574 8664575 8664576 8664577 8664578 8664579 8666732 8666733 8666734 8667532  
 8667533 8667683 8667684 8667685 8667686 8667687 8667688 8667689 8667690 8667691 8667692 8667693 8667694  
 8667695 8667696 8667697 8667698 8668461 8668462 8668463 8669992 8669993 8669994 8669995 8669996 8669997  
 8669998 8669999 8670000 8670001 8670002 8670003 8670004 8670005 8670006 8670007 8670008 8672060 8672061

001 ©

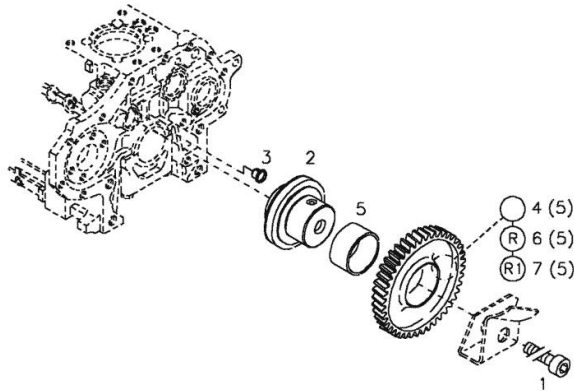
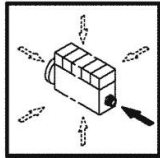


Section: ENGINE  
**IDLER BEARING**

Fig.	P/n	QTY	Name
------	-----	-----	------

8672062	8672063	8672064	8672065	8672066	8672067	8672068	8672069	8672070	8672071	8674502	8674503	8674504
8674505	8674506	8674507	8674508	8674509	8674510	8674511	8674512	8674513	8674514	8674515	8674516	8674517
8674518	8674519	8674520	8674521	8674522	8674523	8674524	8674525	8674526	8674527	8674528	8674529	8674530
8674531	8674532	8674533	8674534	8674764	8674765	8674766	8674767	8674768	8674769	8674770	8674771	8675632
8675633	8675634	8675635	8675636	8675637	8675638	8675639	8675640	8675641	8675642	8676137	8676138	8676139
8676960	8676961	8676962	8676963	8676964	8676965	8676966	8676967	8678212	8678213	8678913	8678914	8678915
8678916	8678917	8678918	8678919	8678920	8678921	8678922	8678923	8678924	8678925	8678926	8678927	8681773
8681774	8681775	8681776	8681777	8681778	8681779	8681780	8682162	8682163	8682164	8682165	8682166	8682167
8682168	8682169	8682170	8682171	8682172	8682173	8682174	8683319	8683320	8683321	8683322	8683323	8683324
8683325	8683326	8683845	8683846	8685283	8685284	8685285	8685286	8685287	8685288	8685289	8685290	8685291
8685292	8685293	8685294	8685295	8685296	8686457	8686458	8686459	8686460	8686461	8686462	8686463	8686464
8686465	8686466	8686467	8686468	8686469	8686470	8686471	8686472	8686473	8686474	8686475	8686476	8689639
8689640	8689641	8689642	8689643	8689644	8689645	8689646	8689647	8689648	8689649	8689650	8689651	8691737
8691738	8691739	8691740	8691741	8691742	8691743	8691744	8691745	8691974	8691975	8691976	8691977	8691978
8691979	8694168	8694169	8694170	8694171	8694172	8694173	8694174	8694175	8694176	8694177	8694178	8694179
8694180	8694181	8694182	8694183	8694184	8694185	8694186	8694187	8694188	8694189	8694779	8694780	8694781
8694782	8694783	8694784	8694785	8694786	8694787	8694788	8694789	8694790	8694791	8694792	8694793	8694794
8694795	8694796	8694797	8694798	8694799	8694800	8694801	8694802	8694803	8694804	8694805	8694806	8695181
8695182	8695183	8695184	8695185	8695186	8695187	8695188	8695189	8695190	8695191	8695192	8695193	8695194
8695195	8695196	8695197	8695198	8695199	8695200	8695201	8695202	8695203	8695204	8695205	8695206	8695207
8695208	8695209	8695210	8695211	8695212	8695213	8695214	8695215	8695216	8695217	8695218	8695219	8695220
8695221	8695222	8695223	8695224	8695225	8695226	8695227	8695228	8695229	8695230			

001 ©



1	01151461	1	screw ISO 004762- M10 X 60 -10.9-OELGESCHW
2	04156285	1	journal
3	04156283	1	bush
4	04153996	1	gear wheel WITH ITEM .... (5) STANDARD
5	03362538	1	bushing
6	04233371	1	wheel WITH ITEM .... (5) RENAULT F 4L912/913
7	04233374	1	support WITH ITEM .... (5) RENAULT F 4L912/913

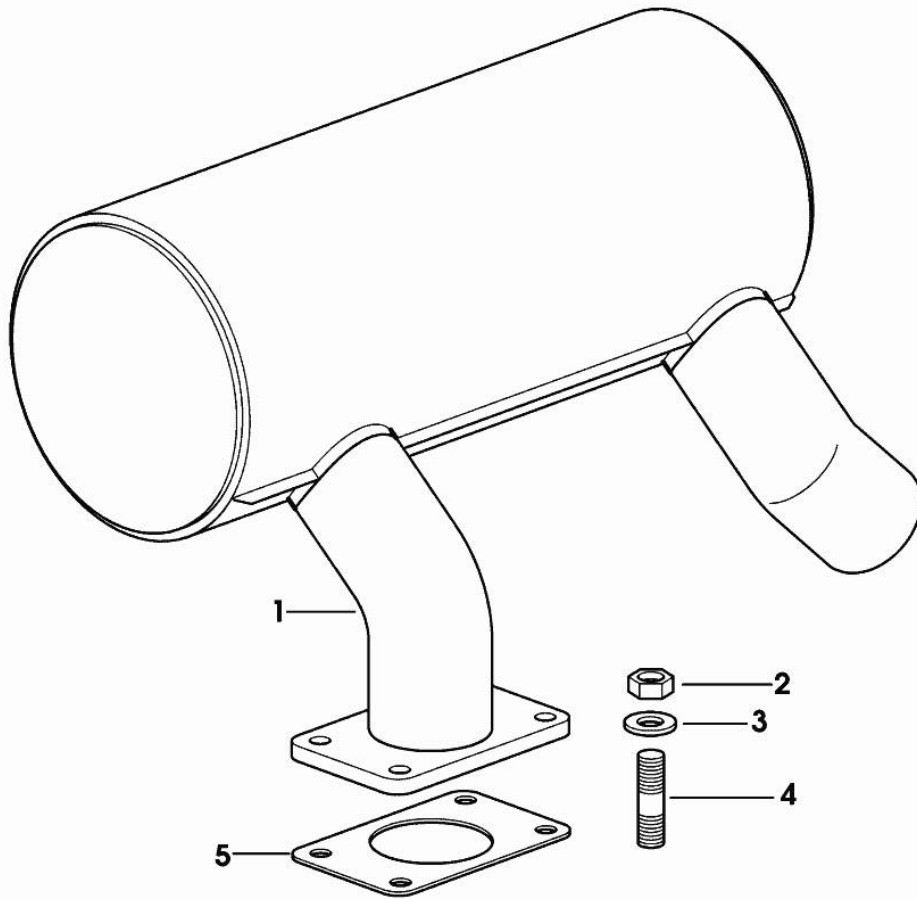


**SIDE EXHAUST SILENCER**

Fig.	P/n	QTY	Name
------	-----	-----	------

Notes:  
[Agroplus 80]

1	0.010.5633.4/20	1	silencer
2	2.1019.033.0	4	special nut m 8 p.1
3	2.1474.009.2	4	spring washer 8
4	2.0432.007.2	4	stud bolt m 8 p.1.25 / p.1 x 30
5	0.010.6089.0	1	gasket



9\_68456\_00\_0\_0

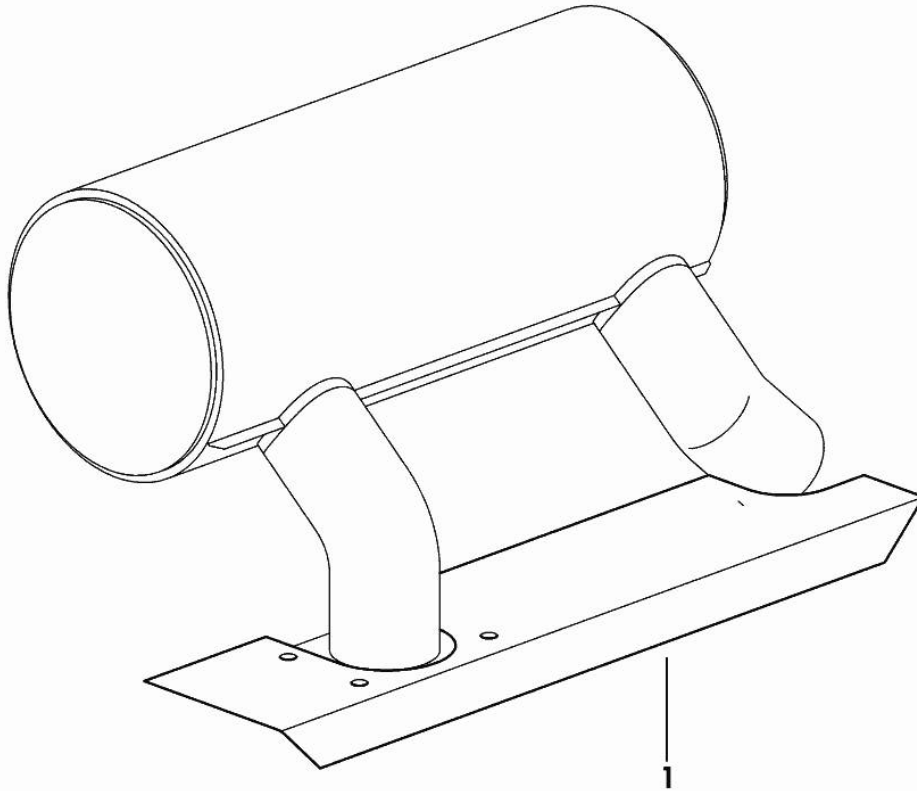
Section: ENGINE

**EXHAUST SILENCER - DEFLECTOR**

Fig.	P/n	QTY	Name
------	-----	-----	------

Notes:  
[Agroplus 80]

1	0.012.0248.0	1	baffle
---	--------------	---	--------



9\_68472\_02\_0\_0

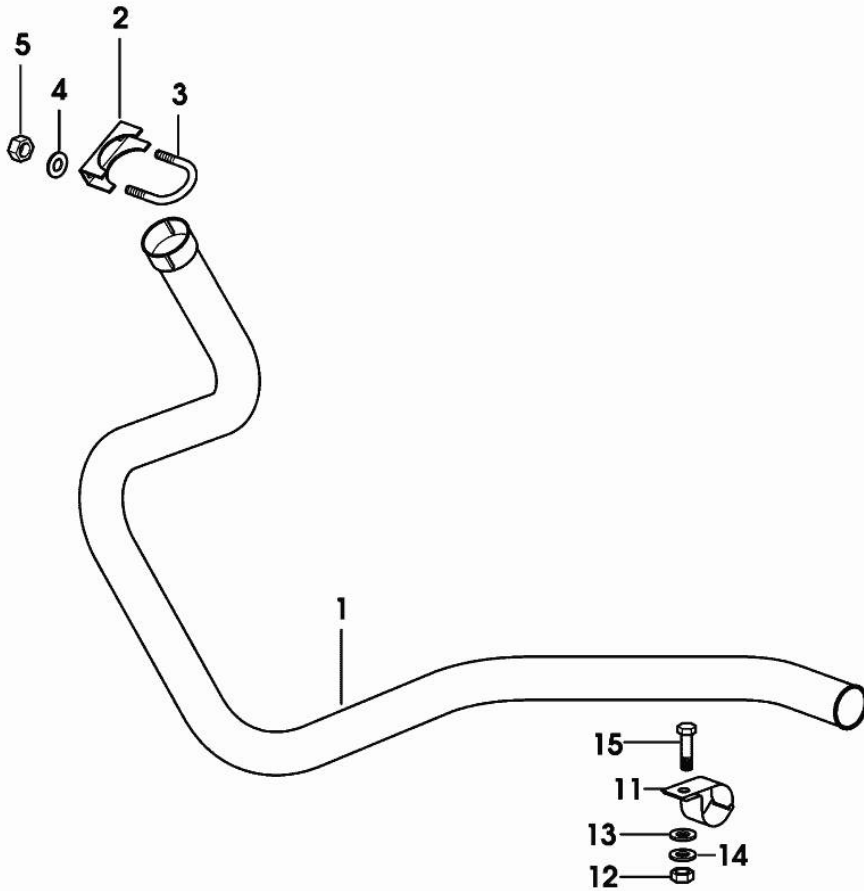
Section: ENGINE

**REAR EXHAUST SILENCER**

Fig.	P/n	QTY	Name
------	-----	-----	------

Notes:  
[Agroplus 80]

1	0.010.6076.3	1	exhaust pipe
2	0.007.1440.0	1	clamp
3	0.007.1441.0/10	1	u bolt
4	2.1474.009.2	2	spring washer 8
5	2.1011.105.2	2	nut m 8 p.1.25
11	0.012.6653.2	1	fascia
12	2.1011.105.2	1	nut m 8 p.1.25
13	2.1310.004.2	1	flat washer 8.4x17
14	2.1470.004.2	1	lock washer 8
15	2.0122.209.2	1	screw m 8 p.1 x 25



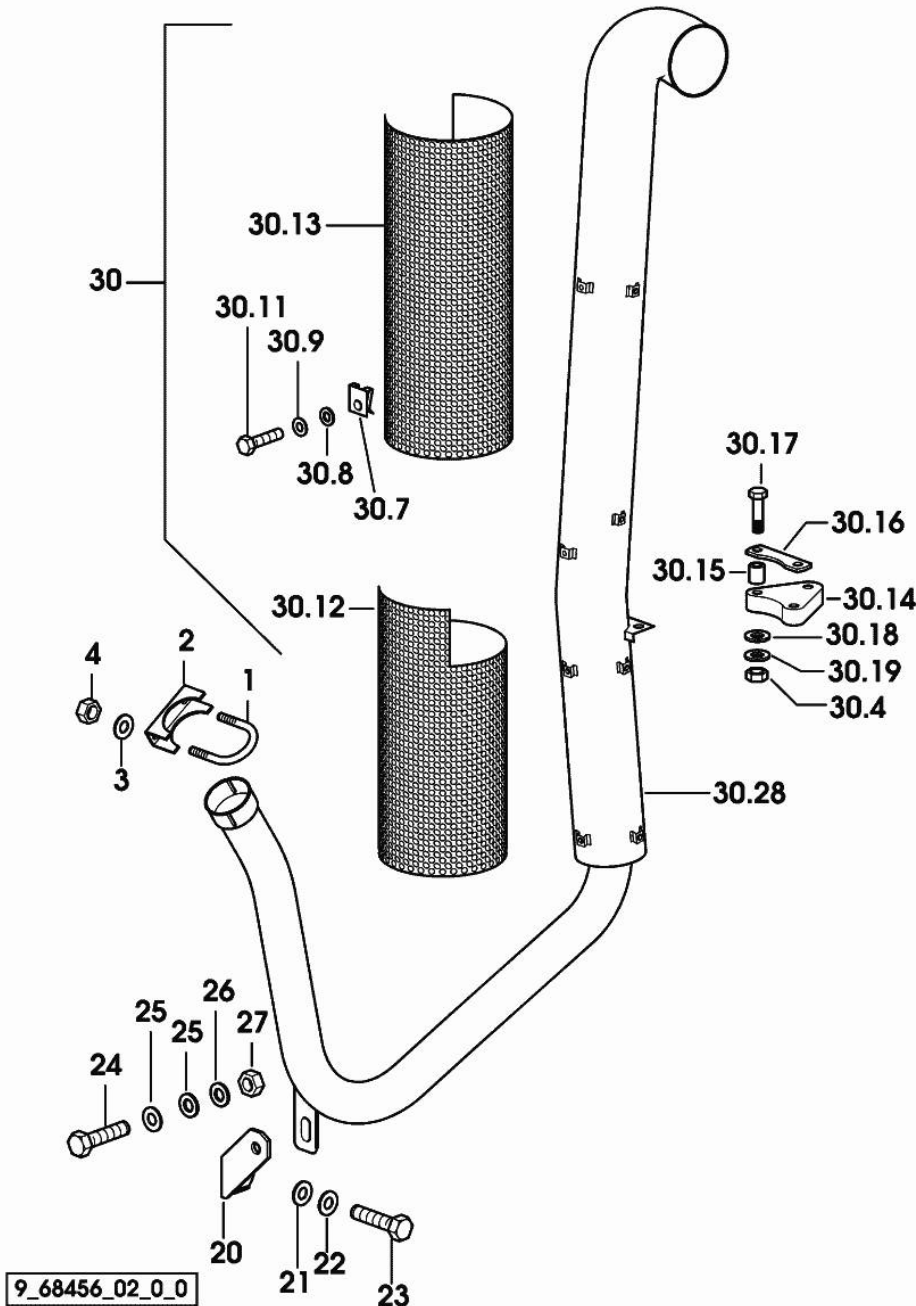
9\_68456\_01\_0\_0

Section: ENGINE  
**EXHAUST SILENCER**

Fig.	P/n	QTY	Name
------	-----	-----	------

Notes:  
 [Agroplus 80]

1	0.007.1441.0/10	1	u bolt
2	0.007.1440.0	1	clamp
3	2.1474.009.2	2	spring washer 8
4	2.1011.105.2	2	nut m 8 p.1.25
20	0.010.8824.0	1	bracket
21	2.1310.010.2	1	flat washer 17x30
22	2.1470.009.2	1	lock washer 16
23	2.0112.613.2	1	screw m 16 p.2x35
24	2.0112.309.2	1	screw m 10 p.1.5 x 25
25	2.1310.006.2	2	flat washer 10.5x21
26	2.1470.006.2	1	lock washer 10
27	2.1011.106.2	1	nut m 10 p.1.5
30	0.011.9143.4	1	exhaust pipe
30.4	2.1011.105.2	2	nut m 8 p.1.25
30.7	2.6999.064.6	8	special nut m 6
30.8	2.1470.002.2	8	lock washer 6
30.9	2.1310.002.2	8	flat washer 6.4x12.5
30.11	2.0112.003.2	8	screw m 6 p.1 x 12
30.12	0.010.8830.0	1	shield
30.13	0.010.8831.0	1	shield
30.14	0.010.8826.0	1	anti-vibration mounting
30.15	2.1549.391.2	2	spacer 8.4x12x25
30.16	0.010.8827.0	1	small plate
30.17	2.0112.215.2	2	screw m 8 p.1.25 x 40
30.18	2.1310.004.2	2	flat washer 8.4x17
30.19	2.1470.004.2	2	lock washer 8
30.28	0.000.0000.1		cannot be supplied



9\_68456\_02\_0\_0

**Buy Now**



Our support email:

[ebooklibonline@outlook.com](mailto:ebooklibonline@outlook.com)