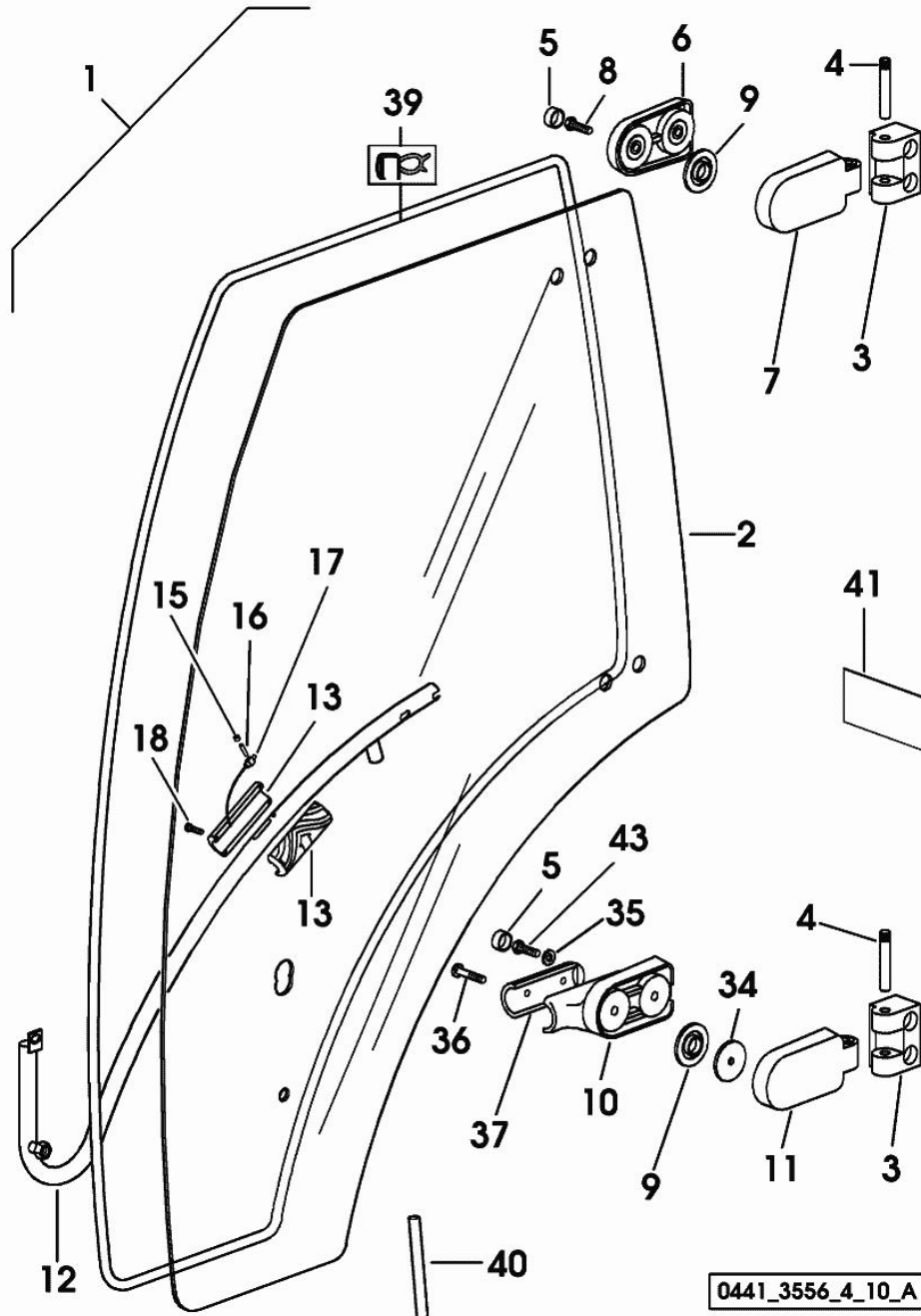


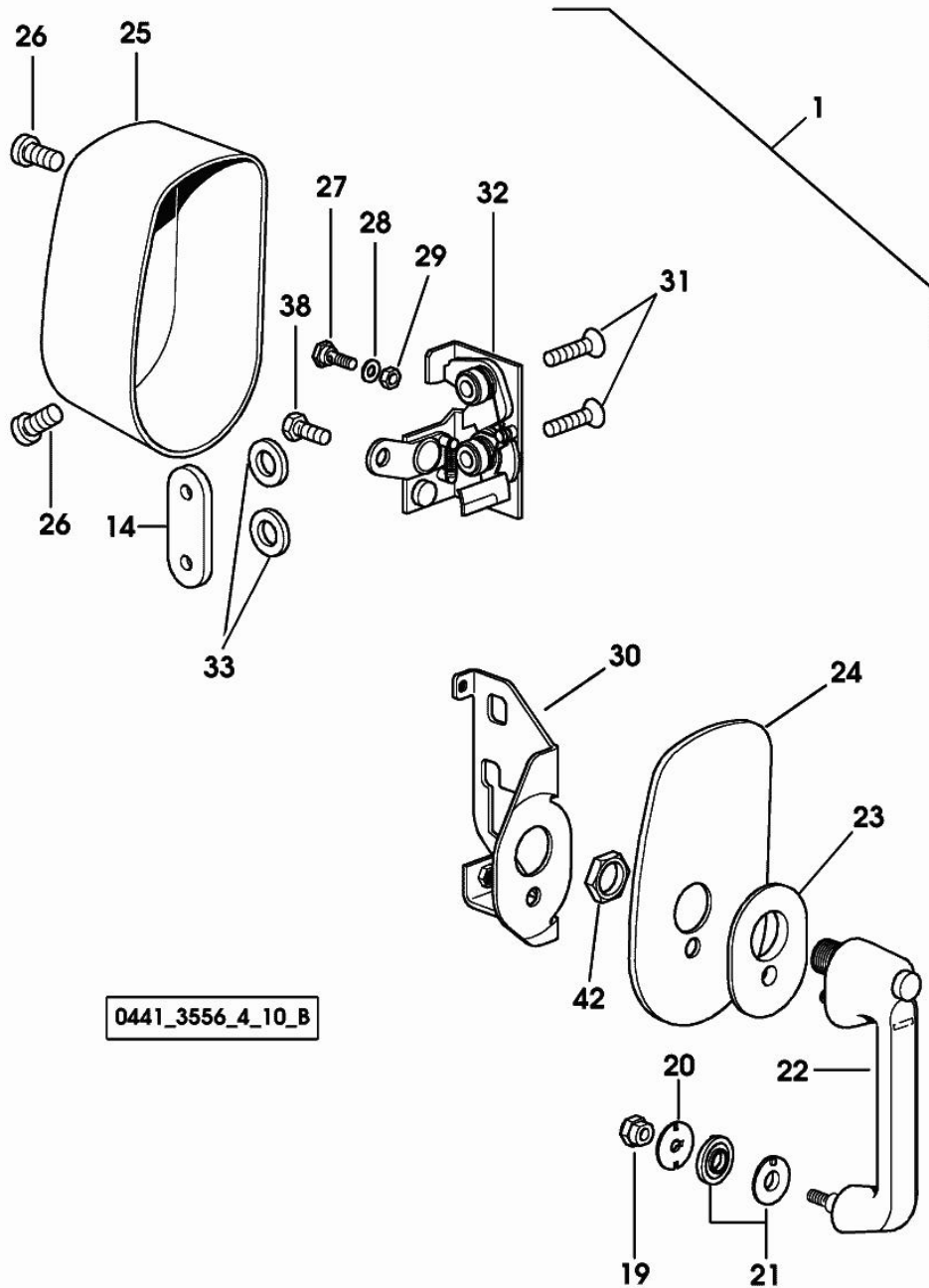
**CAB DOOR sx/lh/li**



0441\_3556\_4\_10\_A

Fig.	P/n	QTY	Name
1	04413556.4/10	1	door sx/lh/li
2	04418951	1	glass sx/lh/li
3	04416522	2	hinge
4	04412819	2	pin
5	04426916	4	cap
6	04415415	1	cap-washer
7	04416228.4	1	hinge sx/lh/li
8	01112333	2	screw m 8 x 25, d933
9	04415424	8	disc 20x53x6.5
10	04416244	1	plate sx/lh/li
11	04424753.4	1	hinge sx/lh/li
12	04415436.4	1	handle sx/lh/li
13	04416216	2	grip
15	04416218	2	spacer
16	01144894	1	pin 5 x 35
17	04429926	1	rope
18	04413570	4	screw
34	04416225	2	washer 8.5x50x4
35	04314757	2	washer
36	04419372	2	screw m 8 x 40
37	04416232	1	stop
39	04419141	5	gasket
40	01388794		parting 9x4,5
41	01016121		adhesive
43	01112341	2	screw m 8 x 30, d933

**CAB DOOR sx/lh/li**



0441\_3556\_4\_10\_B

Fig.	P/n	QTY	Name
1	04413556.4/10	1	door sx/lh/li
14	04412840	1	small plate
19	04412846	1	union nut
20	04413572	1	washer
21	04413571	2	disc
22	04413546	1	handle
23	04412845	1	stop
24	04413565	1	gasket
25	04438158	1	cover
26	04413811	2	screw m 6 p.1.0 x 16
27	04413581	1	screw
28	01151664	1	washer 6.4
29	01112813	1	nut m 6
30	04416206.4	1	bracket sx/lh/li
31	04413568	2	screw m 8 x 35
32	04419673	1	lock sx/lh/li
33	04412841	2	washer
38	01144692	1	screw m 8 p.1.25 x 20
42	04416537	1	nut m 28 x 1

**HOOD**

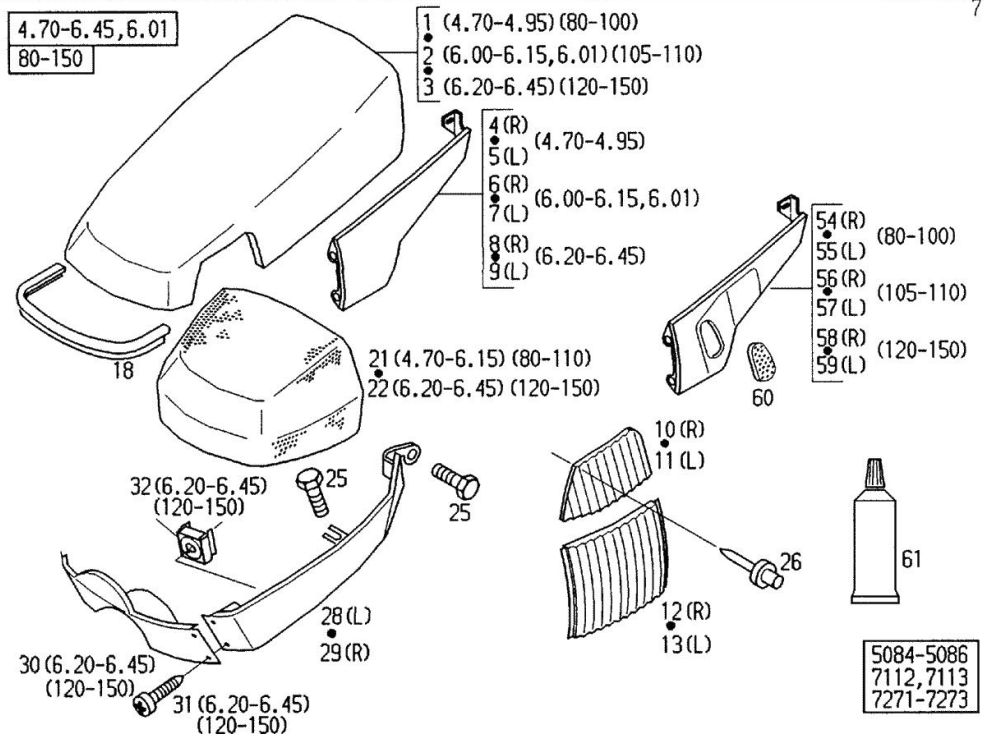
Fig.	P/n	QTY	Name
------	-----	-----	------

Notes:  
[AGROTRON 100]



MOTORHAUBE  
ENGINE BONNET  
CAPOT MOTEUR  
CAPOT DEL MOTOR

2006-41 0504 7358



1	04411086	1	hood
2	04411087	1	hood
3	04411088	1	hood
4	04413217	1	cover
			RIGHTS
5	04413216	1	cover
			LEFT
6	04413219	1	cover
			RIGHTS
7	04413218	1	cover
			LEFT
8	04413221	1	lining
			RIGHTS
9	04413220	1	left hand side panel
			LEFT
10	04411361	1	plate dx/rh/re
			RIGHTS
11	04411360	1	plate sx/lh/li
			LEFT
12	04411118	1	plate dx/rh/re
			RIGHTS
13	04411117	1	left hand side panel sx/lh/li
			LEFT
18	04411998	1	gasket
21	04424741	1	boot
22	04424742	1	boot
25	01143117	6	screw
			DIN 000933-M 8 X 16 Z1-ST- 8.
			8-A4C
26	01174382	30	rivet
			H 002416-A3,2X11 -AL
28	04411371	1	adapter
29	04411997	1	adapter
30	04411996	1	adapter
31	04417408	4	screw 4.2x13
			DIN 007981-ST4,2X13-Z1-ST-C-A
			4C TORX T20
32	01173623	4	nut
			H 002189-B1-4,2/0,5-1,7
54	04427386	1	cover
			RIGHTS

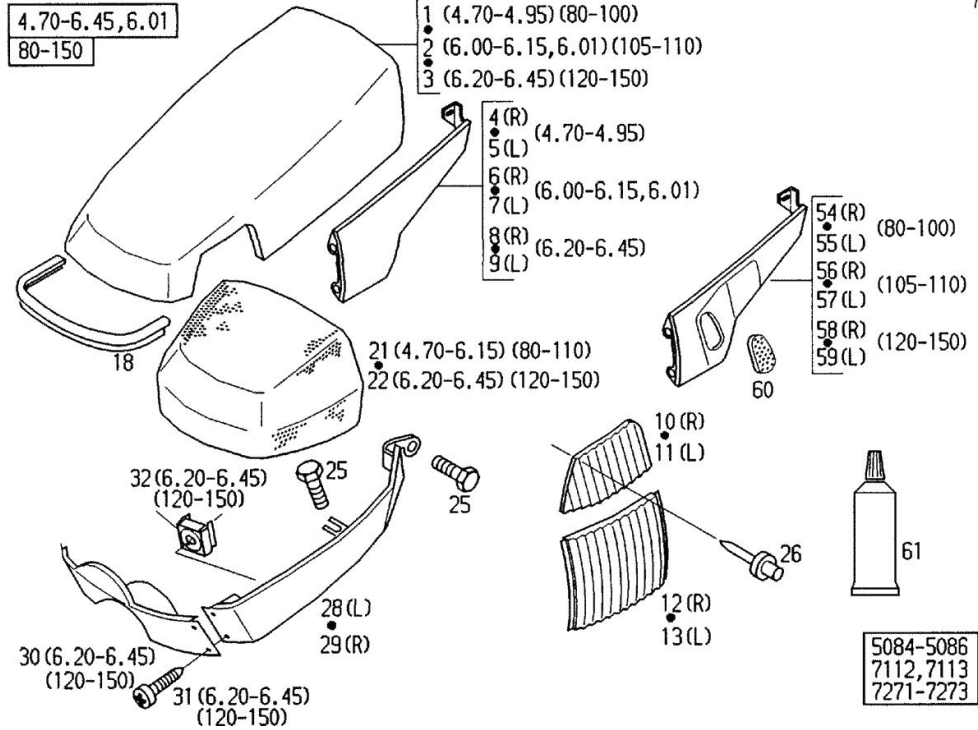
**HOOD**

Fig.	P/n	QTY	Name
55	04427385.4	1	cover sx/lh/li LEFT
56	04427388	1	cover RIGHTS
57	04427387.4	1	cover sx/lh/li LEFT
58	04427390	1	cover RIGHTS
59	04427389.4	1	cover LEFT
60	04425212	1	plate
61	04414226		sealing compound HENKEL 211-342



MOTORHAUBE  
ENGINE BONNET  
CAPOT MOTEUR  
CAPOT DEL MOTOR

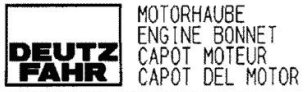
2006-41 0504 7358



**HOOD**

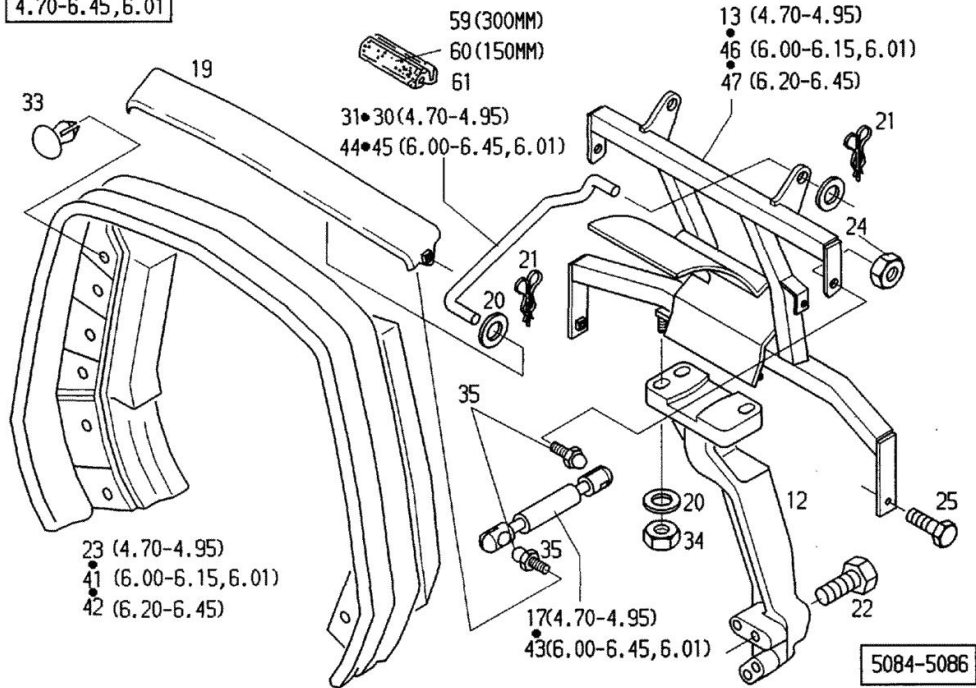
Fig.	P/n	QTY	Name
------	-----	-----	------

Notes:  
[AGROTRON 100]



2006-41 0504 7359

4.70-6.45, 6.01



12	04415748	1	bearing block
13	04415750	1	chassis frame
17	04416544	2	shock absorber
19	04414908	1	small plate
20	01140501	4	washer 10.5 DIN 000125- 10,5-140HV-A4C
21	01175742	6	split pin 2 x 8 H 002470-A 8X2 -FE/ZN12CC
22	01144593	4	screw DIN 000933-M10 X 60 - 8.8
23	04413710	1	connection
24	01112824	7	nut m 8, d934 ISO 004032-M 8 - 8-A4C
25	01143117	6	screw DIN 000933-M 8 X 16 Z1-ST- 8. 8-A4C
30	04414909	1	bracket LEFT
31	04414910	1	bracket RIGHTS
33	04422838	15	stop
34	01102659	3	nut m 10, d934 DIN 000934-M10 - 8-A4C
35	04399070	4	ball joint
41	04419998	1	connection
42	04419999	1	connection
43	04416545	2	shock absorber
44	04414912	1	bracket sx/lh/li LEFT
45	04414913	1	rod dx/rh/re RIGHTS
46	04415751	1	chassis frame
47	04415752	1	chassis frame
59	04419090	1	copper gasket H 846471-02-PN 1X 300
60	04419561	2	gasket mm 150
61	01395331	1	copper gasket H 846471-20-PN 1

**LOCK HOOD**

Fig.	P/n	QTY	Name
------	-----	-----	------

Notes:  
[AGROTRON 100]

8	04418600	1	pin
9	04411370	1	cup
10	04417413	1	spring
11	01136453	1	nut m 10 DIN 000980-VM10 - 8-A4C GEWAC HST
20	01127717	4	washer 10.5 DIN 009021-10,5-140HV-A4C
27	04411022	1	spring
36	04417412	1	cup
37	01136363	1	washer 8.4 DIN 009021- 8,4-140HV-A4C
38	01112307	1	screw m 8 p.1.25 x 15, d933 ISO 004017-M 8 X 16 - 8.8-A4C



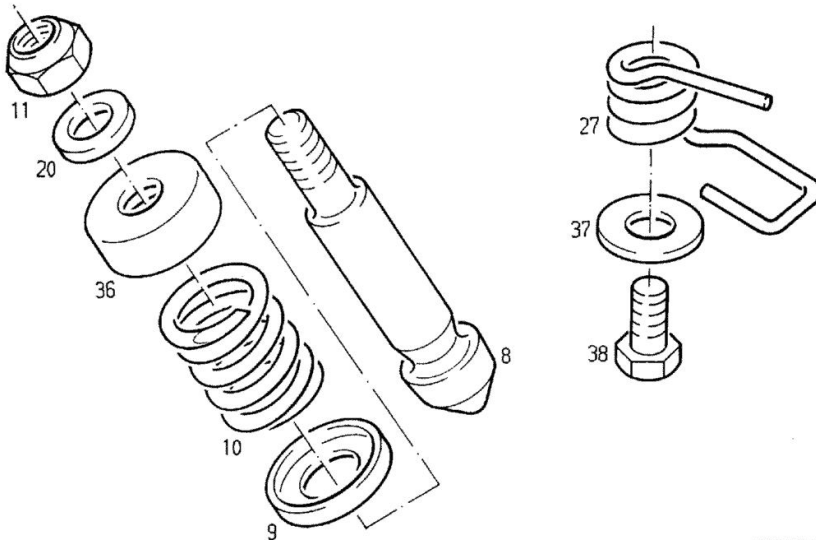
VERRIEGELUNG  
LOCKING MECHANISM  
VERROUILLAGE  
BLOQUEE

MOTORHAUBE  
ENGINE BONNET  
CAPOT MOTEUR  
CAPOT DEL MOTOR

2006-41 0504 7357

4

4.70-6.45,6.01  
155,170,200



5084-5086  
442 3992

**SPEED ADJUSTMENT**

Fig.	P/n	QTY	Name
------	-----	-----	------

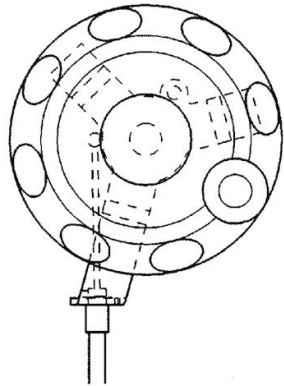
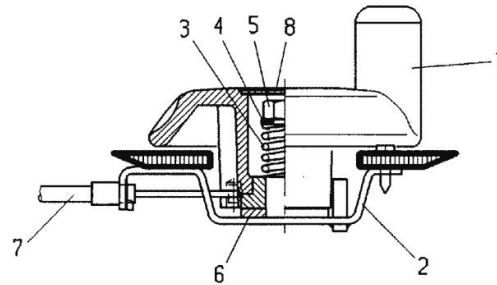
Notes:  
[AGROTRON 100]

1	04415470	1	hand wheel
2	04415474	1	support
3	04414163	1	spring DIN 002098- 3,2 X 20 X 33,5 G YELLOW CHROME
4	04419510	1	stop
5	01102659	1	nut m 10, d934 DIN 000934-M10 - 8-A4C
6	04378843	1	disc
7	04414572	1	cable
8	04415857	1	cover
493	03606493	1	operation RETROFIT ASSEMBLY

**DEUTZ  
FAHR** DREHZAHVERSTELLUNG  
SPEED ADJUSTMENT  
REGLAGE DE VITESSE  
VARIAC. REVOLUCION

←  
2005-46 0504 7129

4.70-6.45,6.01



493

5517/5520/6493

**Buy Now**



Our support email:

[ebooklibonline@outlook.com](mailto:ebooklibonline@outlook.com)