

DRIVEN FRONT AXLE



GETR. LENKACHSE
DRIVEN AXLE
ESSEU DIRECTEUR
EJE MOTRIZ

APL 2025/35

2006-28 0504 7023

4.70-6.05 | 6.01

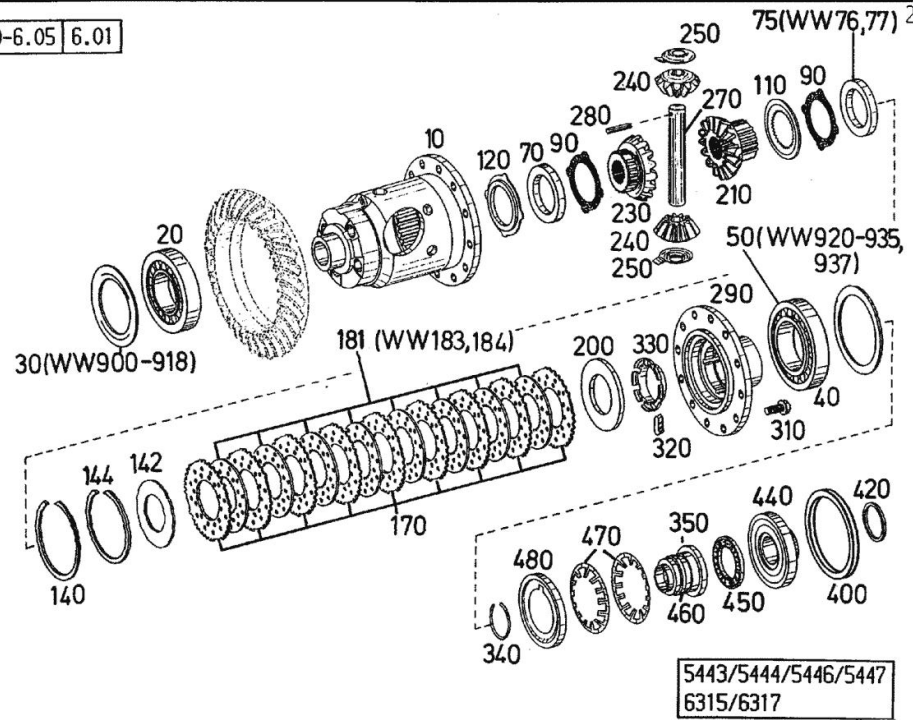


Fig.	P/n	QTY	Name
350	01104213	1	pin ISO 008752- 5 X 8
400	04415390	1	ring 97.80 x 5.33
420	04415391	1	ring 47 x 5.33
440	04415392	1	piston
450	04415393	1	bearing
460	04415394	1	sleeve
470	04415395	2	spring
480	04415396	1	shim
900	04415332	1	washer mm 1.55 S = 1.55 MM
901	04415333	1	washer mm 1.6 S = 1.60 MM
902	04415334	1	washer mm 1.65 S = 1.65 MM
903	04415338	1	washer mm 1.7 S = 1.70 MM
904	04415339	1	washer mm 1.75 S = 1.75 MM
905	04415340	1	washer mm 1.8 S = 1.80 MM
906	04415341	1	washer mm 1.85 S = 1.85 MM
907	04415342	1	washer mm 1.9 S = 1.90 MM
908	04415343	1	washer mm 1.95 S = 1.95 MM
909	04415344	1	washer mm 1.00 S = 1.0 MM
910	04415345	1	washer mm 1.05 S = 1.05 MM
911	04415346	1	washer mm 1.1 S = 1.1 MM
912	04415347	1	washer mm 1.15 S = 1.15 MM
913	04415348	1	washer mm 1.2 S = 1.2 MM
914	04415349	1	washer mm 1.25 S = 1.25 MM
915	04415350	1	washer mm 1.3 S = 1.3 MM
916	04415351	1	washer mm 1.35 S = 1.35 MM
917	04415352	1	washer mm 1.4

DRIVEN FRONT AXLE

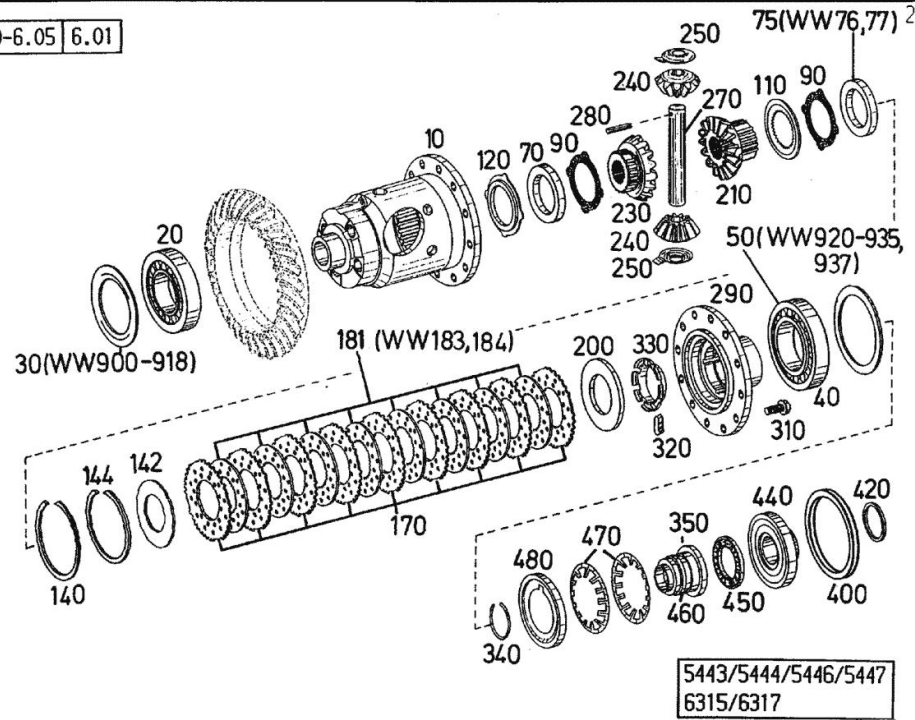


GETR. LENKACHSE
DRIVEN AXLE
ESSIEU DIRECTEUR
EJE MOTRIZ

APL 2025/35

2006-28 0504 7023

4.70-6.05 | 6.01



5443/5444/5446/5447
6315/6317

Fig.	P/n	QTY	Name
918	04415353	1	S = 1.4 MM washer mm 1.45
920	04415356	1	S = 1.45 MM washer mm 1.5
921	04415354	1	S = 1.5 MM washer mm 1.4
922	04415357	1	S = 1.4 MM washer mm 1.55
923	04415358	1	S = 1.55 MM washer mm 1.6
924	04415359	1	S = 1.6 MM washer mm 1.65
925	04415360	1	S = 1.65 MM washer mm 1.7
926	04415361	1	S = 1.7 MM washer mm 1.75
927	04415362	1	S = 1.75 MM washer mm 1.8
928	04415363	1	S = 1.8 MM washer mm 1.85
929	04415364	1	S = 1.85 MM washer mm 1.9
930	04415365	1	S = 1.9 MM washer mm 1.95
931	04415366	1	S = 1.95 MM washer mm 2.00
932	04415367	1	S = 2.0 MM washer
933	04415368	1	S = 2.05 MM washer
934	04415369	1	S = 2.1 MM washer
935	04415370	1	S = 2.15 MM washer
937	04415372	1	S = 2.2 MM washer
			S = 2.3 MM

DRIVEN FRONT AXLE



GETR. LENKACHSE
DRIVEN AXLE
ESSTIEU DIRECTEUR
EJE MOTRIZ

APL 2025

2006-28 0504 7025

4.70-4.95 | 6.01

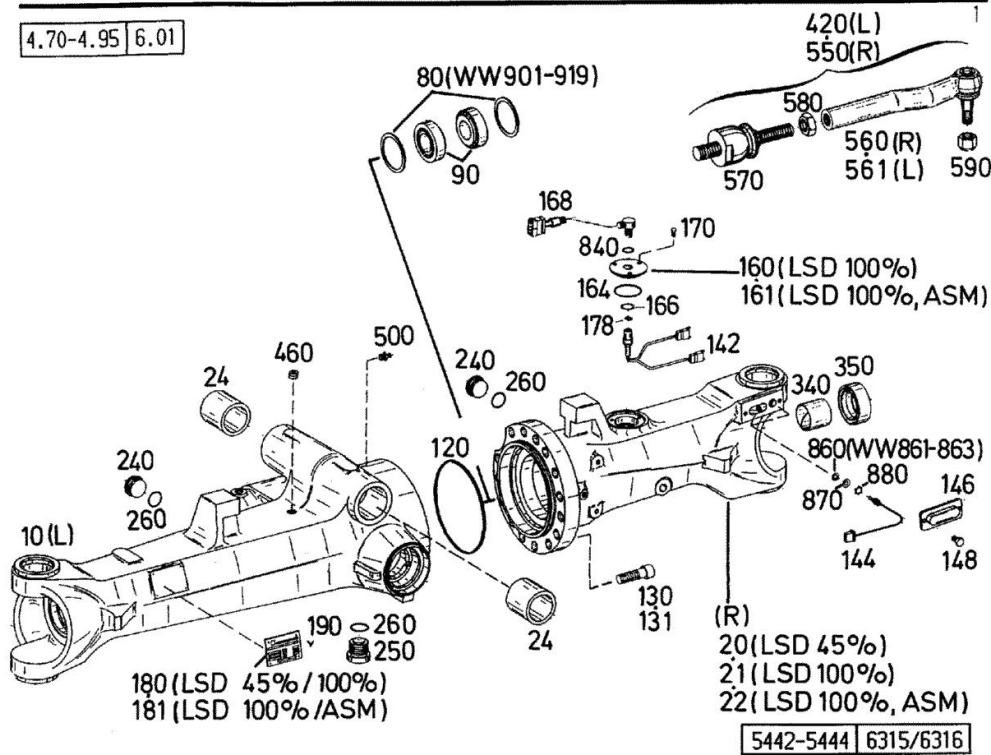


Fig.	P/n	QTY	Name
	Notes:		
	[AGROTRON 105]		
10	04415013	1	axle
20	04415014	1	axle
21	04415015	1	axle
22	04415016	1	axle
24	04419203	2	bushing
80	04415287	1	washer mm 1.5 S = 1.50 MM
90	04415191	2	roller bearing
120	04415192	1	oil seal 156 X 3
130	01112627	15	screw DIN 000933-M14 X 45 - 10.9-OE LGESCHW
131	01122373	15	screw DIN 000912- M14 X 60 -10.9-A4 C
142	04415267	1	cable
144	04415266	2	position sensor
146	04415265	1	cover
148	01123746	2	screw ISO 004017-M 5 X 10 - 8.8-A4C
160	04415263	1	cover
161	04415262	1	cover
164	06214734	1	oil seal H 002927- 42 X 2,5 -NBR-1-70
166	01107727	1	ring DIN 000471- 18X1,2
168	04415264	1	stop
170	01112238	3	screw ISO 004017-M 6 X 12 - 8.8-GES BLACK
178	04415261	1	gasket
180	04415260	1	plate
181	04415199	1	number plate
190	01115306	4	none ISO 008746- 3 X 5-ST
240	01103534	1	plug DIN 000908-M36X1,5-ST
250	04350429	1	screw
260	04415193	2	oil seal 33x2
340	04424496	2	bushing
350	04415271	2	oil seal 46x65x21

DRIVEN FRONT AXLE

DEUTZ FAHR GETR. LENKACHSE
DRIVEN AXLE
ESSTEU DIRECTEUR
EJE MOTRIZ

APL 2025

2006-28 0504 7025

4.70-4.95 | 6.01

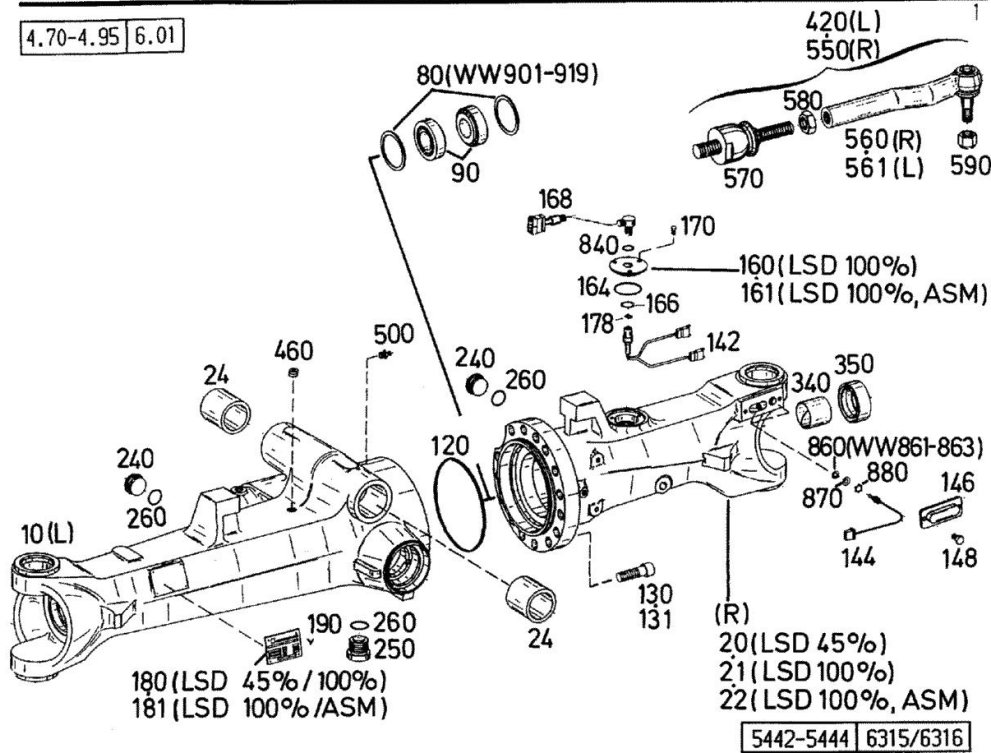


Fig.	P/n	QTY	Name
420	04415272.4	1	rod
460	01110413	1	screw DIN 000906-M10X1 -ST-ZNPHRF
500	01168225	1	grease gun m 8 x 1 DIN 071412-AS 8X1
550	04415273.4	1	rod
560	04415652	1	ball joint
561	04415653	1	ball joint
570	04415654	2	joint
580	01138940	2	nut ISO 004035- M24 -04-A4C
590	04415655	2	nut m 22x1.5
860	04415198	2	shim 7x13x0.2 S = 0.2 MM
861	04415197	2	shim 7x13x0.3 S = 0.3 MM
862	04415196	2	shim 7x13x0.5 S = 0.5 MM
863	04415195	2	shim 7x13x1.0 S = 1.0 MM
870	01151978	2	stop DIN 006799- 8
880	04415194	4	washer ZJ 16.0
901	04415332	1	washer mm 1.55 S = 1.55 MM
902	04415333	1	washer mm 1.6 S = 1.60 MM
903	04415334	1	washer mm 1.65 S = 1.65 MM
904	04415338	1	washer mm 1.7 S = 1.70 MM
905	04415339	1	washer mm 1.75 S = 1.75 MM
906	04415340	1	washer mm 1.8 S = 1.80 MM
907	04415341	1	washer mm 1.85 S = 1.85 MM
908	04415342	1	washer mm 1.9 S = 1.90 MM
909	04415343	1	washer mm 1.95 S = 1.95 MM
910	04415344	1	washer mm 1.00 S = 1.0 MM
911	04415345	1	washer mm 1.05

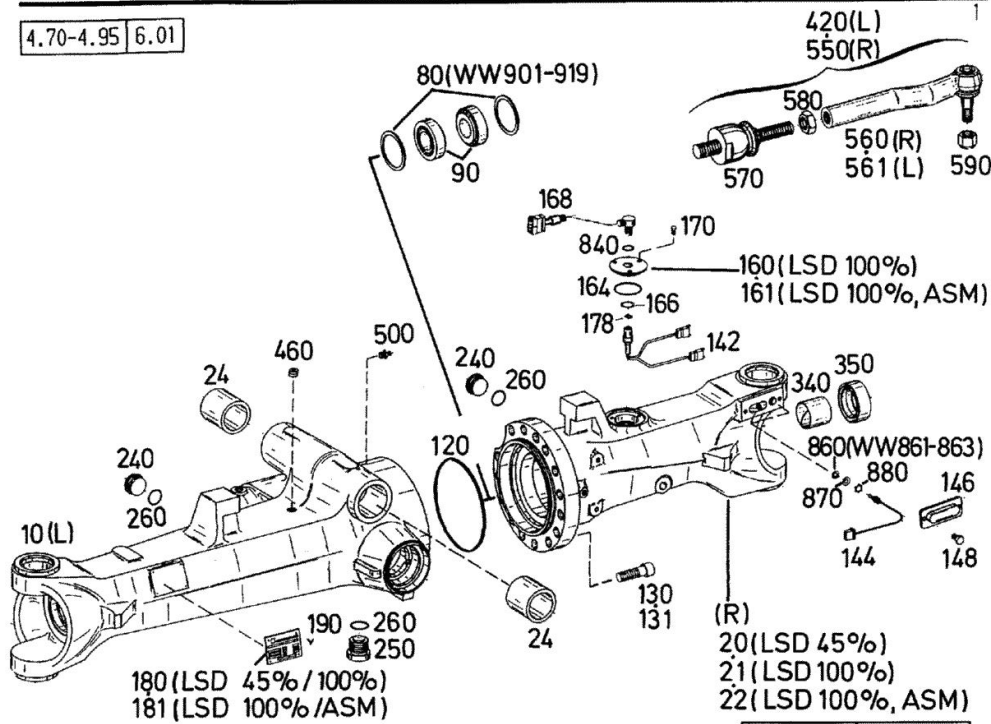
DRIVEN FRONT AXLE

DEUTZ FAHR GETR. LENKACHSE
DRIVEN AXLE
ESSTEU DIRECTEUR
EJE MOTRIZ

APL 2025

2006-28 0504 7025

4.70-4.95 | 6.01



5442-5444 | 6315/6316

Fig.	P/n	QTY	Name
912	04415346	1	S = 1.05 MM washer mm 1.1
913	04415347	1	S = 1.1 MM washer mm 1.15
914	04415348	1	S = 1.15 MM washer mm 1.2
915	04415349	1	S = 1.2 MM washer mm 1.25
916	04415350	1	S = 1.25 MM washer mm 1.3
917	04415351	1	S = 1.3 MM washer mm 1.35
918	04415352	1	S = 1.35 MM washer mm 1.4
919	04415353	1	S = 1.4 MM washer mm 1.45

DRIVEN FRONT AXLE



GETR. LENKACHSE
DRIVEN AXLE
ESSIEU DIRECTEUR
EJE MOTRIZ

APL 2025/35

2006-28 0504 7028

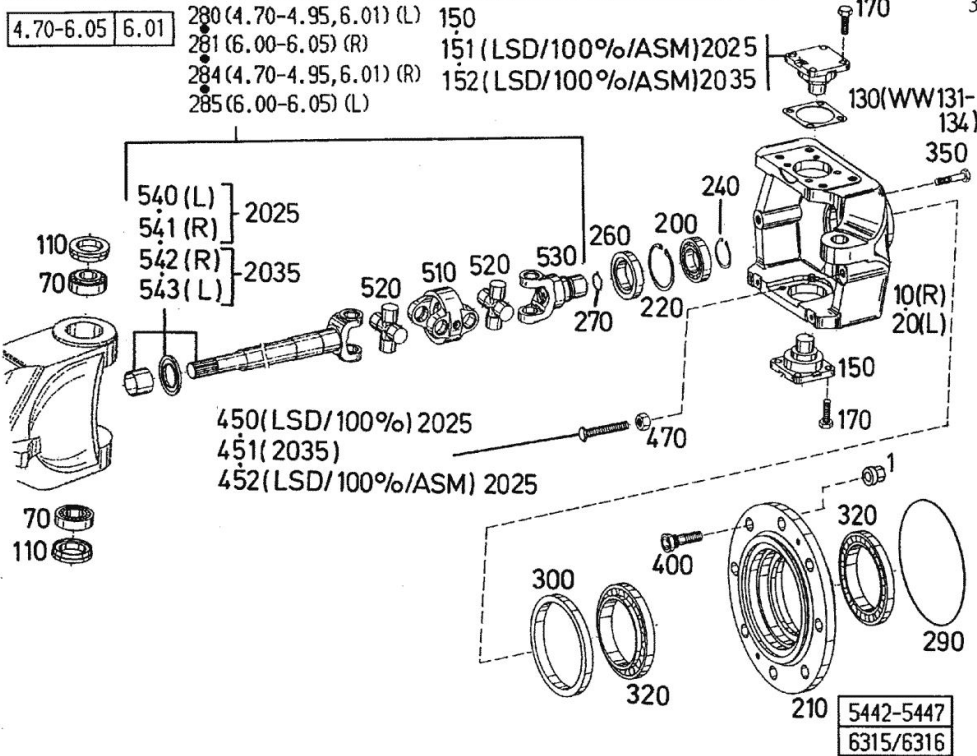


Fig.	P/n	QTY	Name
------	-----	-----	------

Notes:
[AGROTRON 105]

1	01104070	16	nut m 20 p.1.5 -DIN74361-A20 DIN 074361-A20 -10-A4C
10	04415062	1	body dx/rh/re
20	04415063	1	body sx/lh/li
70	01175920	4	roller bearing H 004465-KR 30,162X 64,292X21 ,433
110	04415091	4	ring
130	04415106	2	shim A = 0.2 A = 0.2 MM
131	04415107	2	shim A = 0.3 A = 0.3 MM
132	04415108	2	shim A = 1.0 A = 1.0 MM
133	04415109	2	shim A = 1.6 A = 1.6 MM
134	04415110	2	shim A = 2.0 A = 2.0 MM
150	04415055	4	pin
151	04415092	1	pin
152	04415066	1	pin
170	01143507	16	screw DIN 000933-M12 X 30 - 10.9-OE LGESCHW
200	04415093	2	ball bearing
210	04415067	2	hub
220	01107852	2	ring DIN 000472- 75X2,5
240	01107760	2	circlip 45x1.75 DIN 000471- 45X1,75
260	04415094	2	ring
270	04415095	2	circlip
280	04415096.4	1	half-shaft sx/lh/li
281	04415104.4	1	half-shaft dx/rh/re
284	04415097.4	1	half-shaft dx/rh/re
285	04415105.4	1	half-shaft sx/lh/li
290	01166191	2	ring H 002927-200 X 3 -NBR-1-60
300	04415098	2	ring
320	04415099	4	roller bearing
350	04415100	16	screw m 10 p.1.5 x 45

DRIVEN FRONT AXLE



GETR. LENKACHSE
DRIVEN AXLE
ESSIEU DIRECTEUR
EJE MOTRIZ

APL 2025/35

2006-28 0504 7028

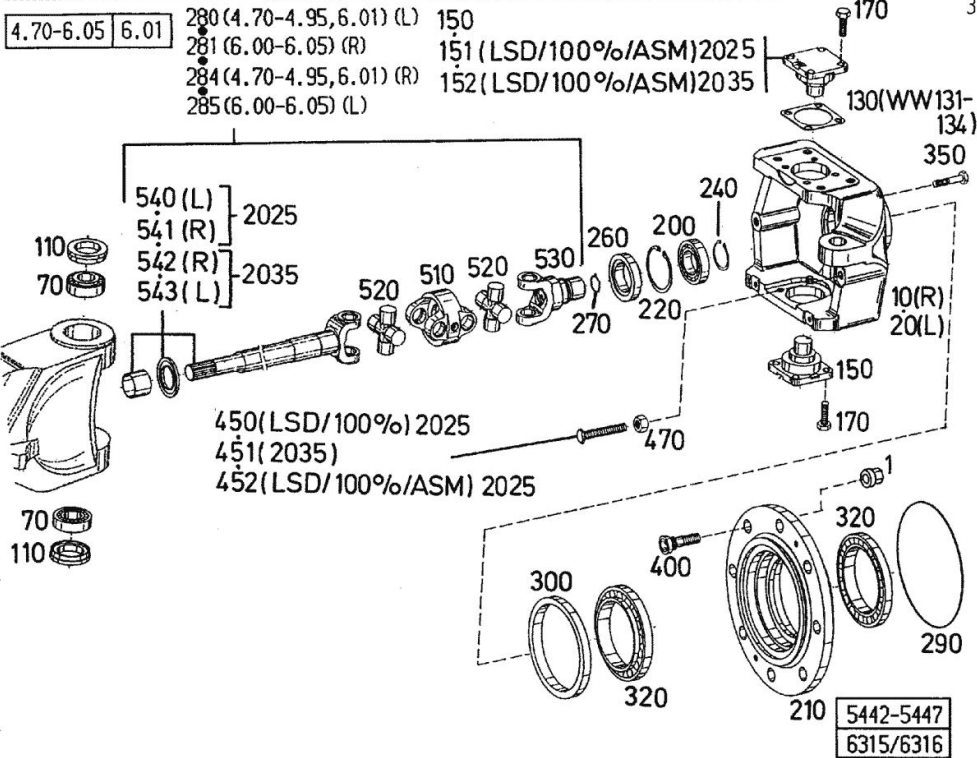


Fig.	P/n	QTY	Name
400	04423357	16	screw
450	04415101	4	screw
451	0.010.3421.2	4	screw m 14x1.5
452	04415102	2	screw
470	01127089	4	nut DIN 000934-M14 X1,5 -10-OELGE SCHW
510	04415130	2	flex coupling
520	04415131	4	universal joint
530	04415132	2	joint
540	04415133	1	joint
541	04415134	1	joint
542	04415136	1	joint dx/rh/re
543	04415137	1	joint sx/lh/li

Buy Now



Our support email:

ebooklibonline@outlook.com