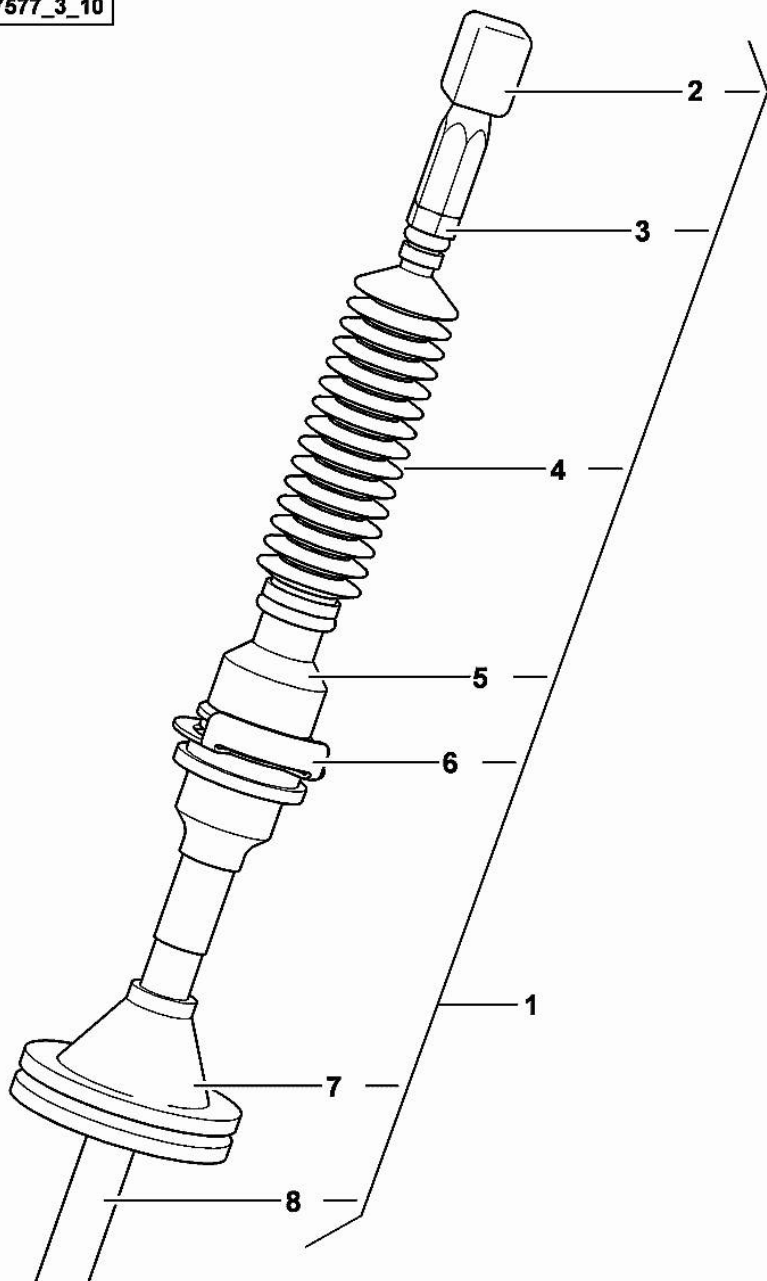


0_014_7577_3_10

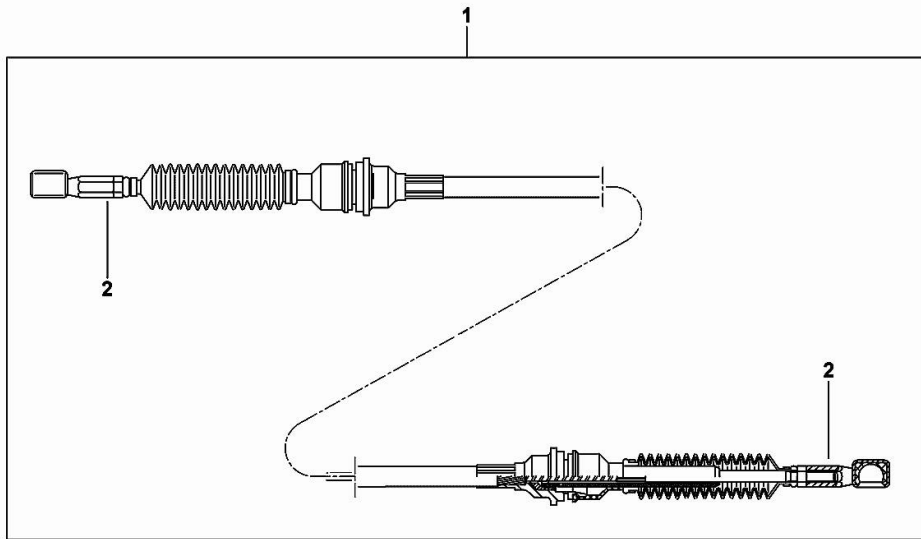


LINKAGE

Fig.	P/n	QTY	Name
1	0.014.7577.3/10	1	rod
2	0.900.0871.9	2	cap
3	0.900.0872.0	2	screw
4	0.900.0872.1	2	bellows
5	0.900.0872.2	2	cap
6	0.900.0872.3	2	circlip
7	0.900.0872.4	1	rubber bushing
8	0.000.0000.1		cannot be supplied

LINKAGE

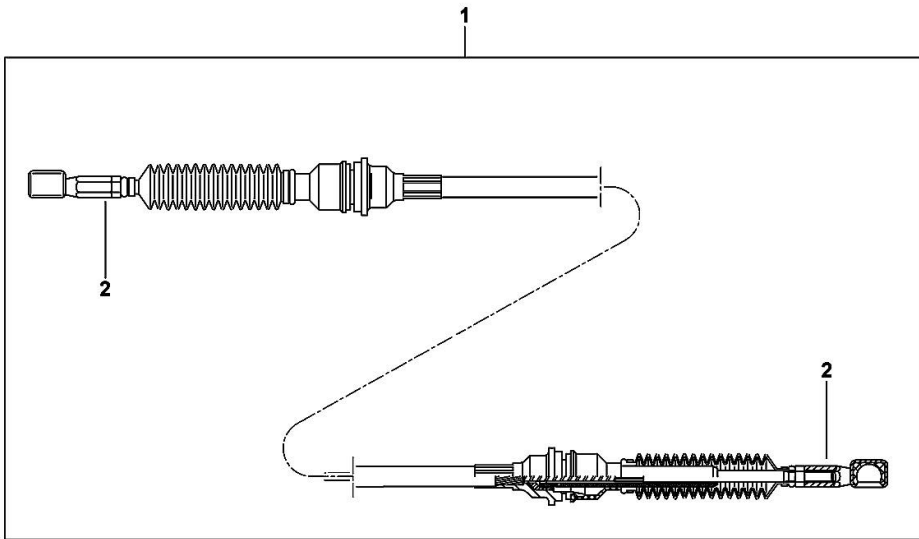
Fig.	P/n	QTY	Name
1	0.016.1682.0	1	rod
2	0.900.1578.8	2	connection



0.016.1682.0

LINKAGE

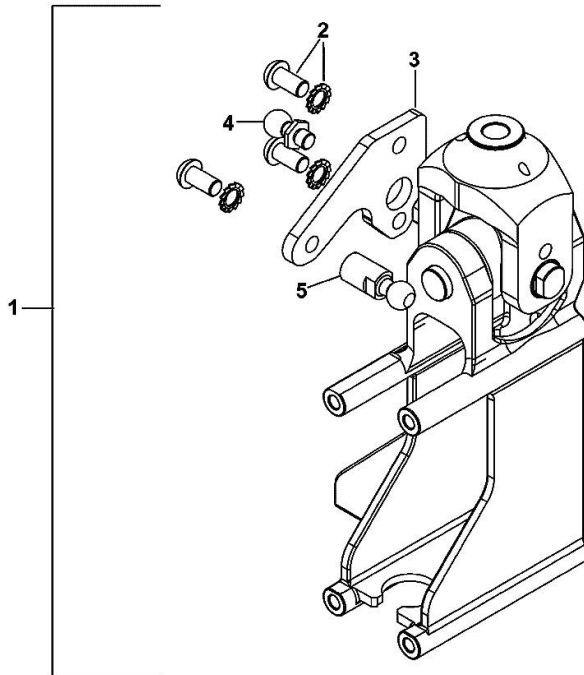
Fig.	P/n	QTY	Name
1	0.018.4935.4	1	rod
2	0.900.1390.0	2	tip



0.018.4935.4

DRIVE FOR GEAR CHANGE BOX

Fig.	P/n	QTY	Name
1	0.018.4957.4/10	1	control
2	0.000.0000.1		cannot be supplied
3	0.900.2126.2	1	bracket
4	0.900.2126.3	1	screw
5	0.900.2126.4	1	small pin



0.018.4957.4/10

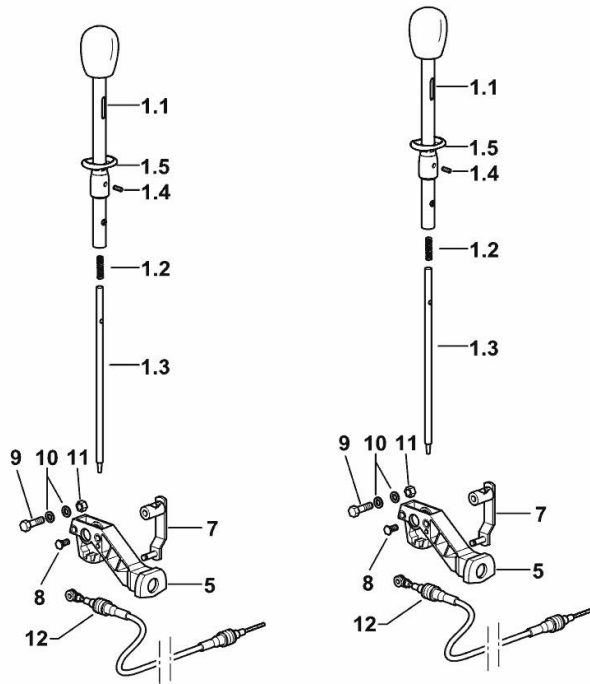
OPERATION - P.T.O. SHAFT - REAR

Fig.	P/n	QTY	Name
------	-----	-----	------

Notes:

[Agrotron 120 Profiline]

1.1	04452928	2	lever
1.2	04426194	2	spring
1.3	04429555	2	rod
1.4	01144807	2	screw
1.5	04411645	2	coupling
5	04425448/10	2	support
7	04423032.4	2	lever
8	04423712	2	screw
9	2.0114.216.2	4	screw m 8 x 45
10	01138374	8	washer 8,4x21x4
11	2.1121.005.2	4	nut m 8 p.1.25
12	0.016.2063.3	2	rod



K9_D4068_03_0-A-001

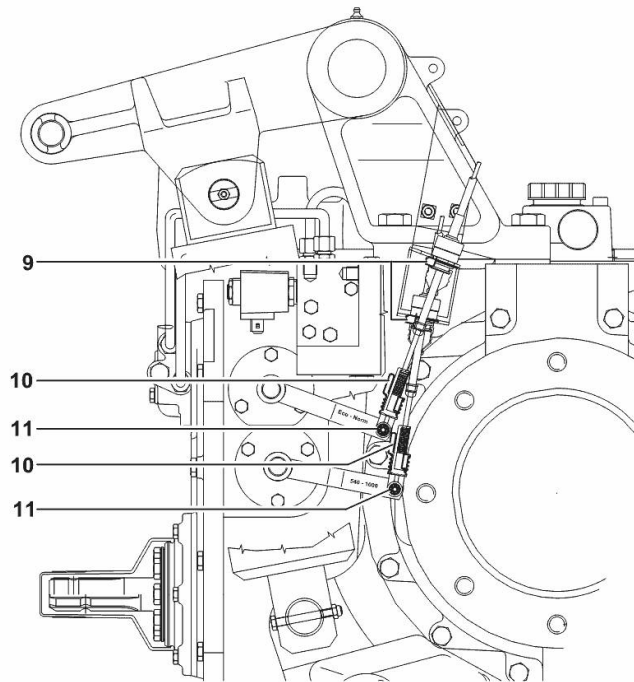
OPERATION - P.T.O. SHAFT - REAR

Fig.	P/n	QTY	Name
------	-----	-----	------

Notes:

[Agrotron 120 Profiline]

9	04418159	4	circlip
10	04415468	2	stop
11	04415469	2	clip



K9_95368_08_0-A-001

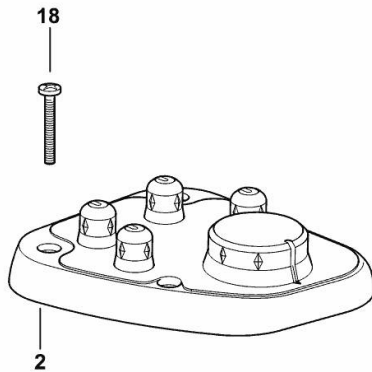
CONTROL CONSOLE FOR POWER-LIFT

Fig.	P/n	QTY	Name
------	-----	-----	------

Notes:

[Agrotron 120 Profiline]

2	0.012.4489.4/10	1	console ☞ 0.012.4489.4/10
18	2.0350.405.3	3	screw m 4.2 x 16



K9_B2084_08_0-B-001

Buy Now



Our support email:

ebooklibonline@outlook.com