

CAB BEARING

Fig.	P/n	QTY	Name
------	-----	-----	------

Notes:
[AGROTRON 135]

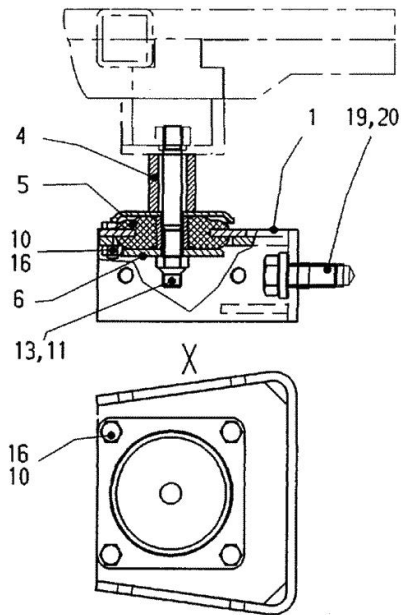
1	04411000	2	console
3	04411005	2	console
4	04411011	2	screw
5	04411234	4	silent-block
6	04384399	4	plate
10	01112418	16	screw m 10 x 25, d933 DIN 000933-M10 X 25 - 8.8-A4C
11	01136464	4	nut m 16 DIN 000980-VM16 - 8-A4C GEWAC HST
12	01112515	8	screw m 12 x 25 DIN 000933-M12 X 25 - 8.8-A4C
13	01144480	2	screw DIN 000939-M16 X120 - 8.8-A4C
15	01111941	2	screw m 16 x 120 ISO 004014- M16 X120 - 8.8-A4 C
16	01102659	16	nut m 10, d934 DIN 000934-M10 - 8-A4C
17	01139580	2	washer 17 DIN 007349-17 -ST50-A4C
18	04414223	2	shim
19	01114065	4	screw m 20x50 ISO 008676-M20X2 X 50 - 8.8-G BLACKENED
20	01167055	4	washer 20.5x40 H 000995-20,5X40X 8- 8.8
21	04417861	2	plate

**DEUTZ
FAHR** FAHRERHAUSLAGERUNG
CAB SUPPORT
LOGEMENT DE CABINE
APOYO D.L. CABINA

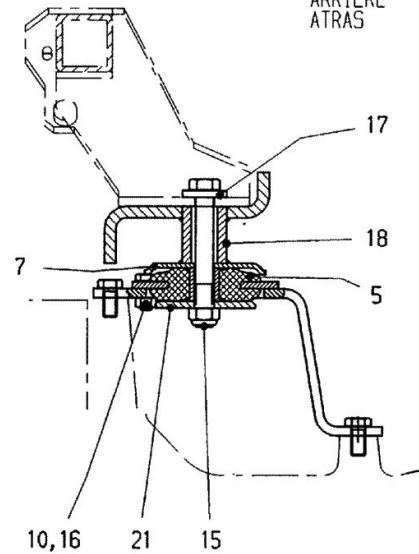
2005-37 0504 7106

6.20-6.45

VORN
FRONT
AVANT
DELANTE



HINTEN
REAR
ARRIERE
ATRAS



5341

WINDSCREEN

DEUTZ FAHR FRONTSCHIEBE
WINDSCREEN
PARE-BRISE
PARABRISAS

2005-37 0504 7077

4.70-6.45,6.01 | 80-150
160-200 | 230/260

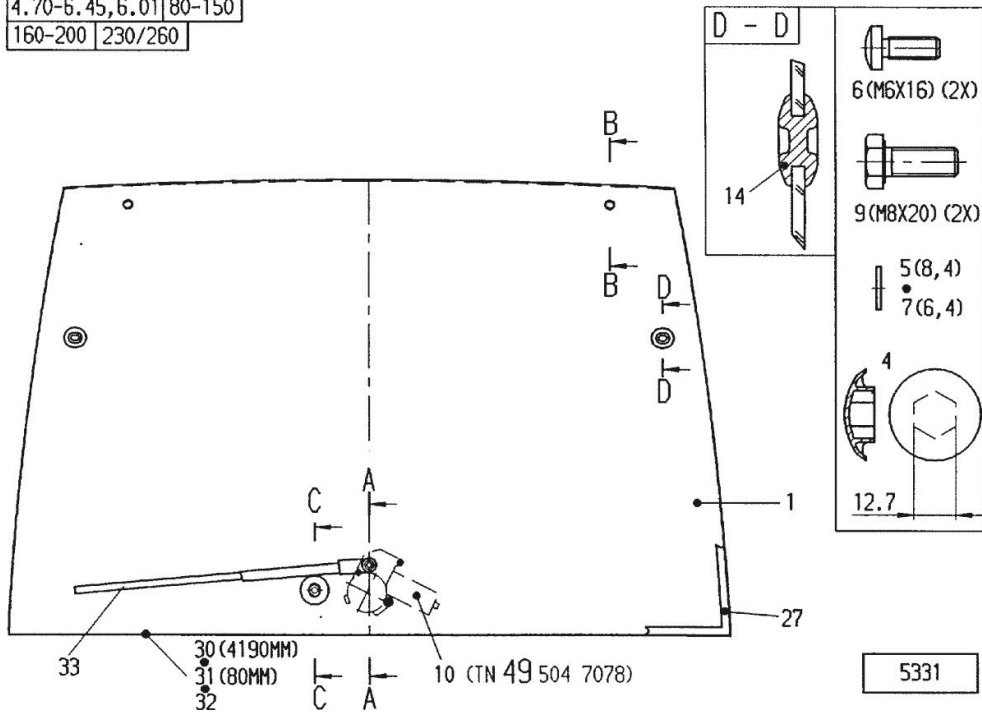


Fig.	P/n	QTY	Name
------	-----	-----	------

Notes:
[AGROTRON 135]

1	04418946	1	tempered glass
4	04413793	2	cap
5	01151019	2	washer 8.4 DIN 000125- 8,4-200HV
6	04413811	2	screw m 6 p.1.0 x 16 DIN 007985-M 6X 16-Z1-4.8-H-A 4C-TORX T30
7	01107095	2	washer 6.4 DIN 000125-A 6,4-140HV-A4C
9	01144692	2	screw m 8 p.1.25 x 20 DIN 000933-M 8 X 20 Z1-ST- 8. 8-A4C
10	05047078		windscreen wiper 18.49.20000
14	04413787	2	plug
27	04412045	1	electrical system
30	04418376	1	gasket FROM FIRST REPLACEMENT UNTIL CHASSIS-AXLE-GEARBOX- SUPPLY WITH NO.ITEM.. 31,32
31	01388794	1	parting 9x4,5 H 846482-02-PN 1
32	01016121	1	adhesive H 000699-DEUTZ KL 5A- 50/100 G
33	04413194	1	wiper blade

5331

WINDSCREEN

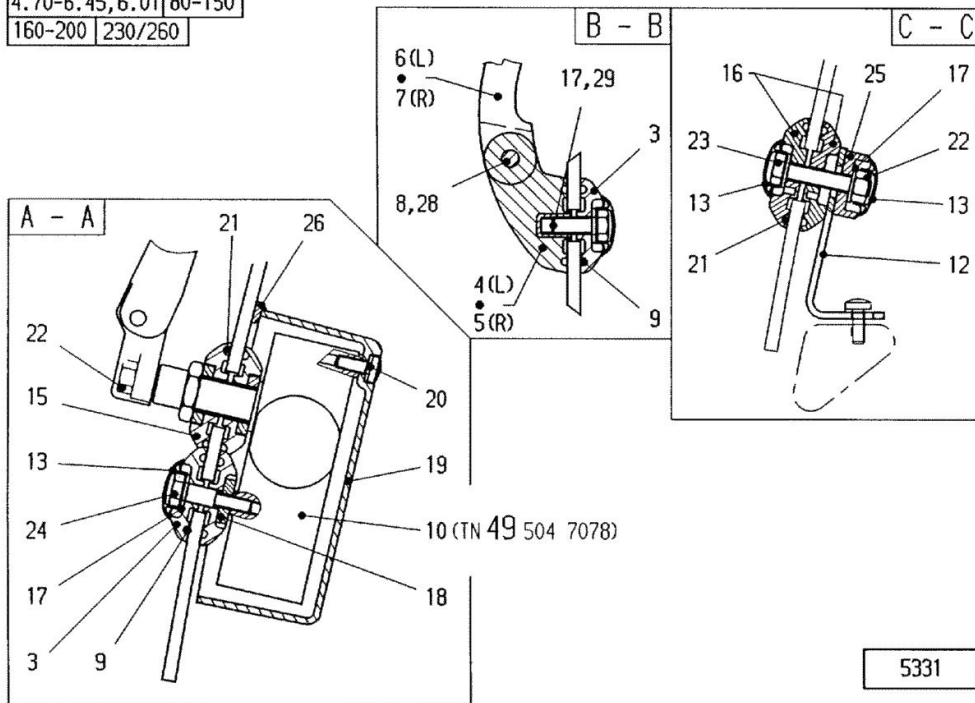
Fig.	P/n	QTY	Name
------	-----	-----	------

Notes:
[AGROTRON 135]

DEUTZ FAHR FRONTSCHIEBE
WINDSCREEN
PARE-BRISE
PARABRISAS

2005-37 0504 7076

4.70-6.45,6.01|80-150
160-200|230/260



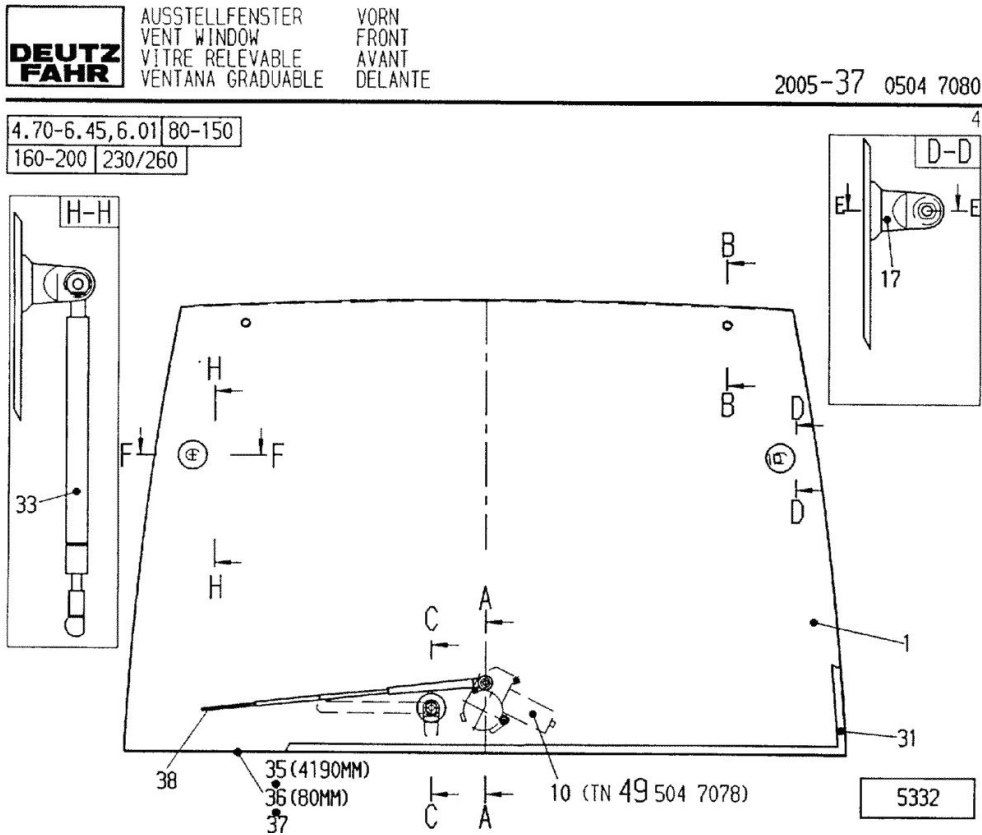
3	04411716	4	washer
4	04411248	1	hinge sx/lh/li
5	04411247	1	hinge dx/rh/re
6	04415223	1	hinge
7	04415224	1	hinge
8	04413797	2	pin
9	01166042	6	ring H 002927- 30 X 3 -NBR-1-60
10	05047078		windscreen wiper ☞ 18.49.20000
12	04413788	1	bearing
13	04413793	5	cap
15	04413223	2	washer
16	04412814	4	washer
17	01151019	4	washer 8.4 DIN 000125- 8,4-200HV
18	04413808	1	washer 6.5x20x5
19	04412044	1	cover
20	04415861	2	screw DIN 007985-M 6X 16 -H-A4C TOR X T30
21	01166059	6	oil seal 40x3 H 002927- 40 X 3 -NBR-1-60
22	01112824	2	nut m 8, d934 ISO 004032-M 8 - 8-A4C
23	01144809	1	screw ISO 004017-M 8 X 40 - 8.8-A4C *
24	04413809	1	screw
25	04414994	1	washer
26	04414610	1	gasket
28	01155120	2	washer DIN 006799- 6-A4C
29	04418656	2	screw DIN 000933-M 8 X 20 - 8.8-A2C

KNOCKOUT WINDOW FRONT

Fig.	P/n	QTY	Name
------	-----	-----	------

Notes:
[AGROTRON 135]

1	04418946	1	tempered glass
10	05047078		windscreen wiper ☞ 18.49.20000
17	04411717	2	support
18	04411719	1	knob
31	04412045	1	electrical system
33	04415239	2	shock absorber
35	04418376	1	gasket
			FROM FIRST REPLACEMENT UNTIL CHASSIS-AXLE-GEARBOX- SUPPLY WITH NO.ITEM.. 36,37
36	01388794	1	parting 9x4,5 H 846482-02-PN 1
37	01016121	1	adhesive H 000699-DEUTZ KL 5A- 50/100 G
38	04413194	1	wiper blade



KNOCKOUT WINDOW FRONT

DEUTZ FAHR AUSSTELLFENSTER VORN FRONT VITRE RELEVABLE AVANT VENTANA GRADUABLE DELANTE

2005-37 0504 7079

4.70-6.45,6.01
230/260
160-200
80-150

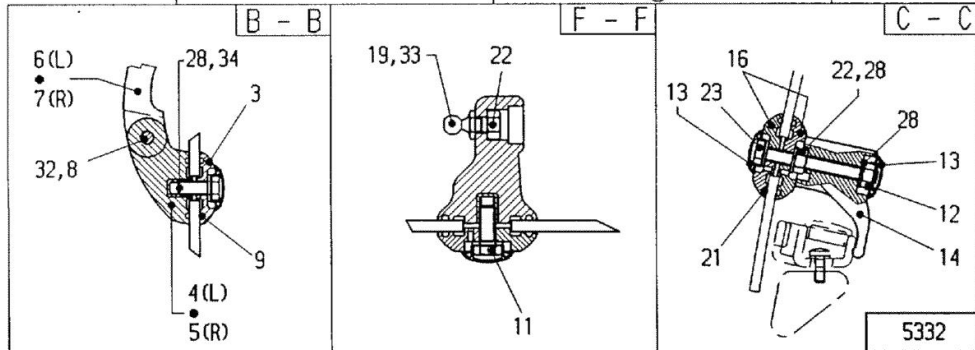
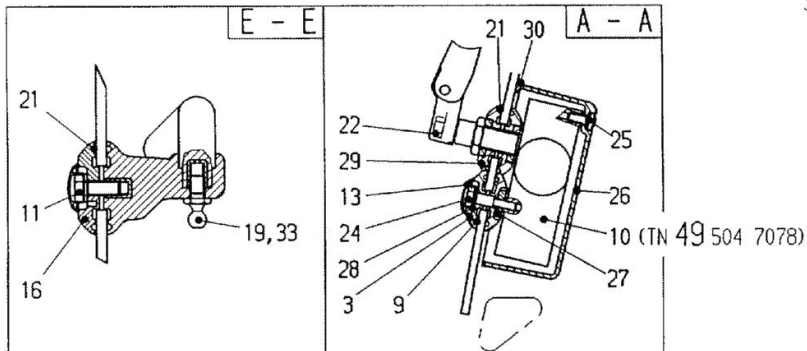


Fig.	P/n	QTY	Name
Notes:			
[AGROTRON 135]			
3	04411716	4	washer
4	04415223	1	hinge
5	04415224	1	hinge
6	04411248	1	hinge sx/lh/li
7	04411247	1	hinge dx/rh/re
8	04413797	2	pin
9	01166042	6	ring
10	05047078		H 002927- 30 X 3 -NBR-1-60 windscreen wiper ☞ 18.49.20000
11	01144692	2	screw m 8 p.1.25 x 20 DIN 000933-M 8 X 20 Z1-ST- 8. 8-A4C
12	01136452	1	nut vm 8 d980 DIN 000980-VM 8 - 8-A4C GEWAC HST
13	04413793	7	cap
14	04412812	1	knob
16	04412814	4	washer
19	04399070	2	ball joint
21	01166059	6	oil seal 40x3 H 002927- 40 X 3 -NBR-1-60
22	01112824	2	nut m 8, d934 ISO 004032-M 8 - 8-A4C
23	01144712	1	screw DIN 000933-M 8 X 70 Z1-ST- 8. 8-A4C
24	04413809	1	screw
25	04415861	2	screw DIN 007985-M 6X 16 -H-A4C TOR X T30
26	04412044	1	cover
27	04413808	1	washer 6.5x20x5
28	01151019	5	washer 8.4 DIN 000125- 8,4-200HV
29	04413223	2	washer
30	04414610	1	gasket
32	01155120	2	washer DIN 006799- 6-A4C
33	04415239	2	shock absorber
34	04418656	2	screw

KNOCKOUT WINDOW FRONT

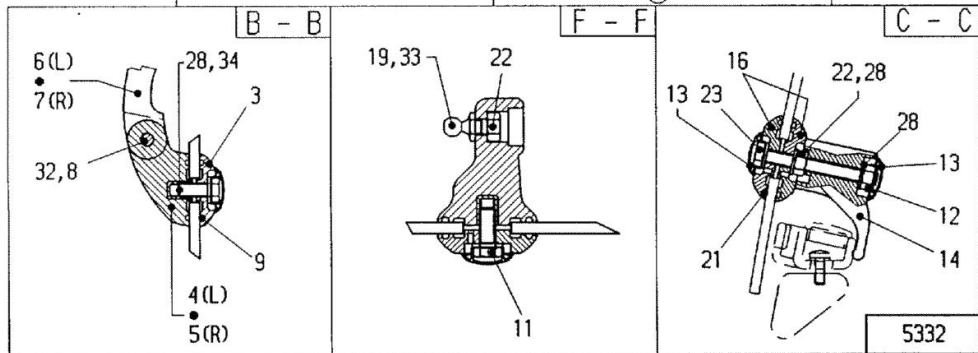
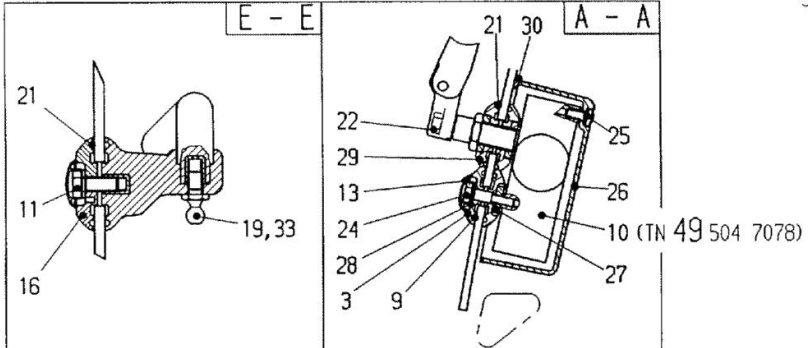
Fig.	P/n	QTY	Name
------	-----	-----	------

DIN 000933-M 8 X 20 - 8.8-A2C

DEUTZ FAHR AUSSTELLFENSTER VORN FRONT VENT WINDOW VITRE RELEVABLE VENTANA GRADUABLE

2005-37 0504 7079

4.70-6.45,6.01
230/260
160-200
80-150



KNOCKOUT WINDOW FRONT

Fig.	P/n	QTY	Name
------	-----	-----	------

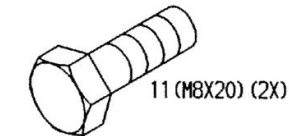
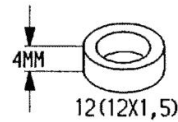
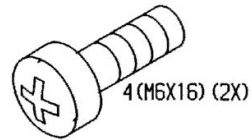
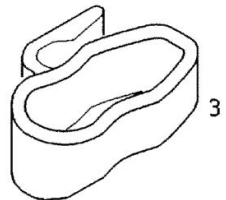
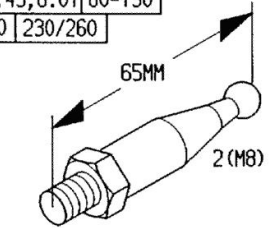
Notes:
[AGROTRON 135]

2	04418838	2	ball joint
3	04412815	1	support
4	04413811	2	screw m 6 p.1.0 x 16 DIN 007985-M 6X 16-Z1-4.8-H-A 4C-TORX T30
5	04413789	1	cap
6	04413793	2	cap
8	01107110	2	washer 13.5 DIN 000125-A13 -140HV-A4C
11	01144692	2	screw m 8 p.1.25 x 20 DIN 000933-M 8 X 20 Z1-ST- 8- 8-A4C

DEUTZ FAHR AUSSTELLFENSTER VENT WINDOW VITRE RELEVABLE VENTANA GRADUABLE VORN FRONT AVANT DELANTE

2005-37 0504 7082

4.70-6.45,6.01 80-150
160-200 230/260



5332

Buy Now



Our support email:

ebooklibonline@outlook.com