

DRIVEN FRONT AXLE



GETR. LENKACHSE
DRIVEN AXLE
ESSTIEU DIRECTEUR
EJE MOTRIZ

APL 2025/35/45

2006-28 0504 7020

4.70-6.45 | 6.01

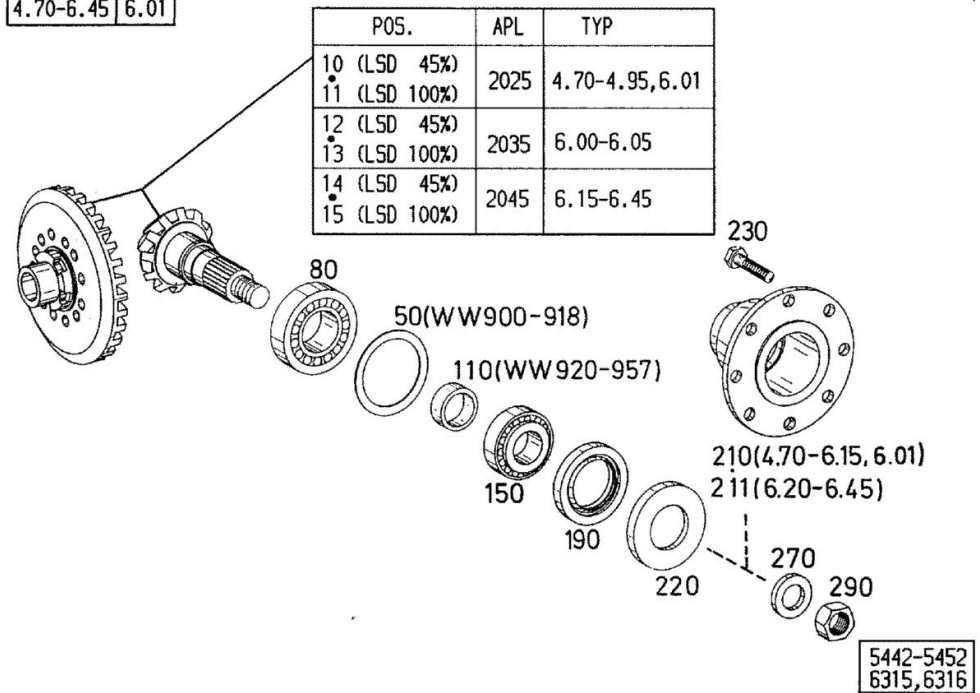


Fig.	P/n	QTY	Name
------	-----	-----	------

Notes:
[AGROTRON 150]

10	04415000	1	bevel drive
11	04415001	1	bevel drive
12	04415002	1	bevel drive
13	04415003	1	bevel drive
14	04415004	1	bevel drive I=2.64
15	04415005	1	bevel drive I=2.64
50	04348594	1	washer mm 1.0 S = 1.0 MM
80	01168682	1	roller bearing H 004465-KR 44,450X 88,900X30 ,162
110	04415289	1	ring mm 15.1 S = 15.1 MM
150	01178165	1	roller bearing H 004465-KR 34,925X 72,233X25 ,400
190	04415329	1	ring
210	04415330	1	flange
211	04415399	1	flange
220	04415331	1	guard
230	04304929	8	screw
270	04316134	1	stop mm 6.00
290	04415328	1	nut m 24x2
900	04348595	1	conical washer mm 1.05 S = 1.05 MM
901	04348596	1	washer mm 1.1 S = 1.1 MM
902	04348597	1	washer mm 1.15 S = 1.15 MM
903	04348598	1	washer mm 1.20 S = 1.2 MM
904	04348599	1	washer mm 1.25 S = 1.25 MM
905	04415284	1	washer mm 1.3 S = 1.3 MM
906	04348601	1	washer mm 1.35 S = 1.35 MM
907	04348602	1	washer mm 1.4 S = 1.4 MM
908	04348603	1	washer mm 1.45 S = 1.45 MM

DRIVEN FRONT AXLE



GETR. LENKACHSE
DRIVEN AXLE
ESSTIEU DIRECTEUR
EJE MOTRIZ

APL 2025/35/45

2006-28 0504 7020

4.70-6.45 | 6.01

POS.	APL	TYP
10 (LSD 45%) 11 (LSD 100%)	2025	4.70-4.95, 6.01
12 (LSD 45%) 13 (LSD 100%)	2035	6.00-6.05
14 (LSD 45%) 15 (LSD 100%)	2045	6.15-6.45

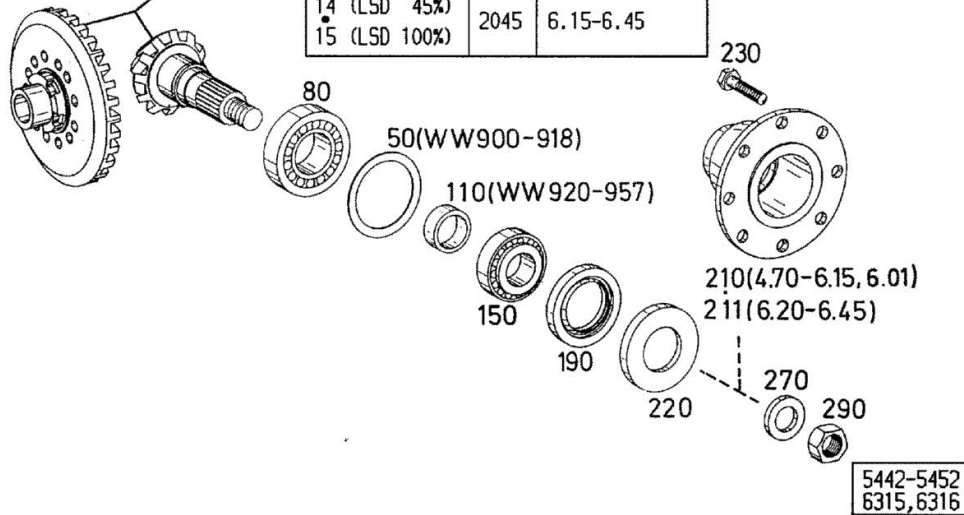


Fig.	P/n	QTY	Name
909	04348604	1	washer mm 1.5 S = 1.5 MM
910	04348605	1	washer mm 1.55 S = 1.55 MM
911	04349933	1	washer mm 1.6 S = 1.6 MM
912	04349934	1	washer mm 0,9 S = 0.9 MM
913	04349935	1	flat washer mm 0,95 S = 0.95 MM
914	04415279	1	washer mm 0,65 S = 0.65 MM
915	04415280	1	washer mm 0,70 S = 0.70 MM
916	04415281	1	washer mm 0,75 S = 0.75 MM
917	04415282	1	washer mm 0,85 S = 0.85 MM
918	04415283	1	washer mm 0,80 S = 0.80 MM
920	04415290	1	ring mm 15.2 S = 15.2 MM
921	04415291	1	ring mm 15.3 S = 15.3 MM
922	04415292	1	ring mm 15.4 S = 15.4 MM
923	04415293	1	ring mm 15.5 S = 15.5 MM
924	04415294	1	ring mm 15.6 S = 15.6 MM
925	04415295	1	ring mm 15.7 S = 15.7 MM
926	04415296	1	ring mm 15.8 S = 15.8 MM
927	04415297	1	ring mm 15.9 S = 15.9 MM
928	04415298	1	ring mm 16.0 S = 16.0 MM
929	04415299	1	ring mm 16.1 S = 16.1 MM
930	04415300	1	ring mm 16.2 S = 16.2 MM
931	04415301	1	ring mm 16.3 S = 16.3 MM

DRIVEN FRONT AXLE



GETR. LENKACHSE
DRIVEN AXLE
ESSTIEU DIRECTEUR
EJE MOTRIZ

APL 2025/35/45

2006-28 0504 7020

4.70-6.45 | 6.01

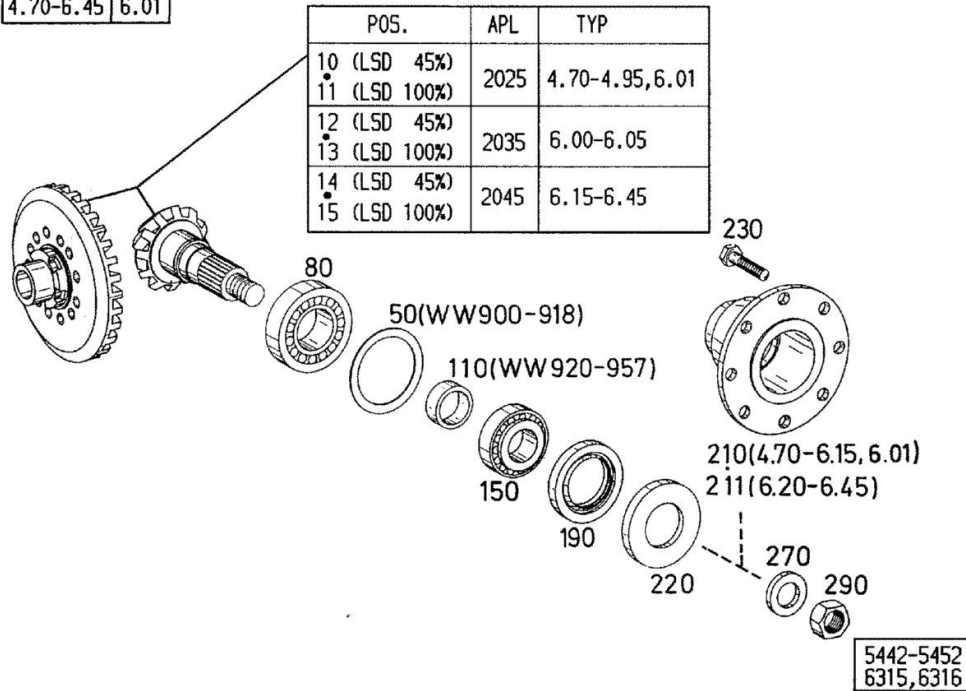


Fig.	P/n	QTY	Name
932	04415302	1	ring mm 16.4 S = 16.4 MM
933	04415303	1	ring mm 16.26 S = 16.26 MM
934	04415304	1	ring mm 16.23 S = 16.23 MM
935	04415305	1	ring mm 16.16 S = 16.16 MM
936	04415306	1	ring mm 16.13 S = 16.13 MM
937	04415307	1	ring mm 16.06 S = 16.06 MM
938	04415308	1	ring mm 16.03 S = 16.03 MM
939	04415309	1	ring mm 15.96 S = 15.96 MM
940	04415310	1	ring mm 15.93 S = 15.93 MM
941	04415311	1	ring mm 15.86 S = 15.86 MM
942	04415312	1	ring mm 15.83 S = 15.83 MM
943	04415313	1	ring mm 15.76 S = 15.76 MM
944	04415314	1	ring mm 15.73 S = 15.73 MM
945	04415315	1	ring mm 15.66 S = 15.66 MM
946	04415316	1	ring mm 15.63 S = 15.63 MM
947	04415317	1	ring mm 15.56 S = 15.56 MM
948	04415318	1	ring mm 15.53 S = 15.53 MM
949	04415319	1	ring mm 15.46 S = 15.46 MM
950	04415320	1	ring mm 15.43 S = 15.43 MM
951	04415321	1	ring mm 15.36 S = 15.36 MM
952	04415322	1	ring mm 15.33 S = 15.33 MM
953	04415323	1	ring mm 15.26 S = 15.26 MM

DRIVEN FRONT AXLE

Fig.	P/n	QTY	Name
954	04415324	1	ring mm 15.38 S = 15.38 MM
955	04415325	1	ring mm 15.48 S = 15.48 MM
956	04415326	1	ring mm 15.58 S = 15.58 MM
957	04415327	1	ring mm 15.68 S = 15.68 MM



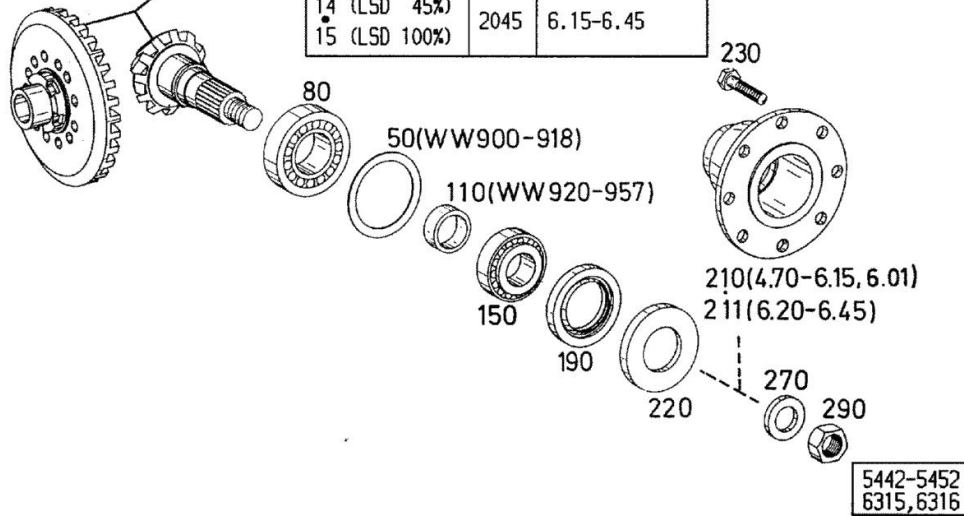
GETR. LENKACHSE
DRIVEN AXLE
ESSTIEU DIRECTEUR
EJE MOTRIZ

APL 2025/35/45

2006-28 0504 7020

4.70-6.45 | 6.01

POS.	APL	TYP
10 (LSD 45%) 11 (LSD 100%)	2025	4.70-4.95, 6.01
12 (LSD 45%) 13 (LSD 100%)	2035	6.00-6.05
14 (LSD 45%) 15 (LSD 100%)	2045	6.15-6.45



DRIVEN FRONT AXLE

Fig.	P/n	QTY	Name
------	-----	-----	------

Notes:
[AGROTRON 150]

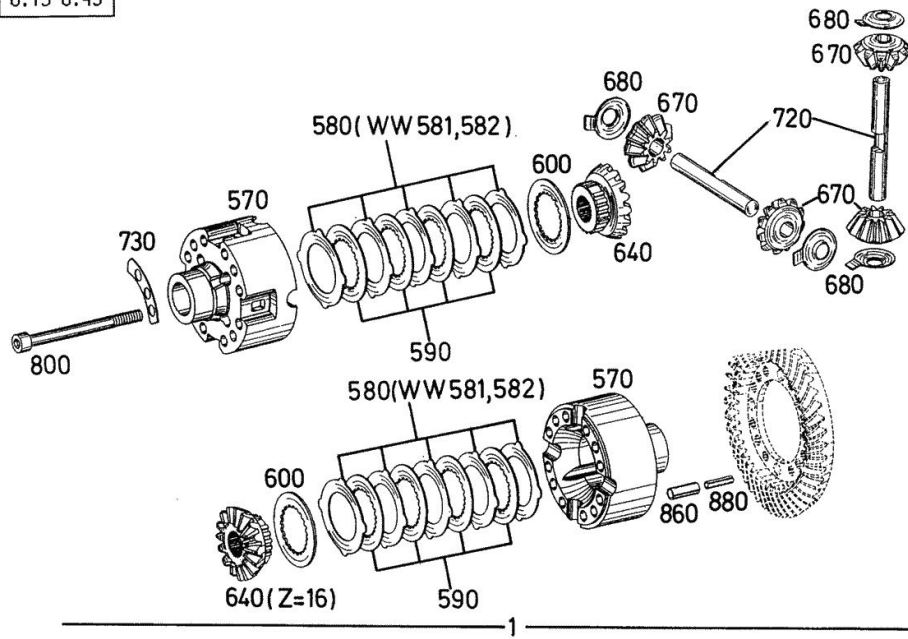
1	04415041.4	1	differential carrier
570	04415078	1	differential carrier
580	04415079	10	thin plate mm 1.00 S = 0.1 MM
581	04415080	10	thin plate mm 1.1 S = 1.1 MM
582	04415081	10	thin plate mm 1.2 S = 1.2 MM
590	04415077	8	thin plate
600	04415076	2	pressure plate
640	04415075	2	crown wheel Z = 16
670	04415074	4	planet gear
680	04350425	4	washer
720	04350426	2	wheel spindle
730	04350383	4	flat washer
800	01139344	12	screw DIN 000912- M12X1,5 X130 -12. 9
860	01139967	4	pin ISO 008752-14 X 40
880	01115473	4	pin 8 x 40, d1481 ISO 008752- 8 X 40

DEUTZ FAHR
GETR. LENKACHSE
DRIVEN AXLE
ESSTIEU DIRECTEUR
EJE MOTRIZ

APL 2045

2006-28 0504 7022

6.15-6.45



5448-5452

DRIVEN FRONT AXLE



GETR. LENKACHSE
DRIVEN AXLE
ESSEU DIRECTEUR
EJE MOTRIZ

APL 2045

2006-28 0504 7024

1

6.15-6.45

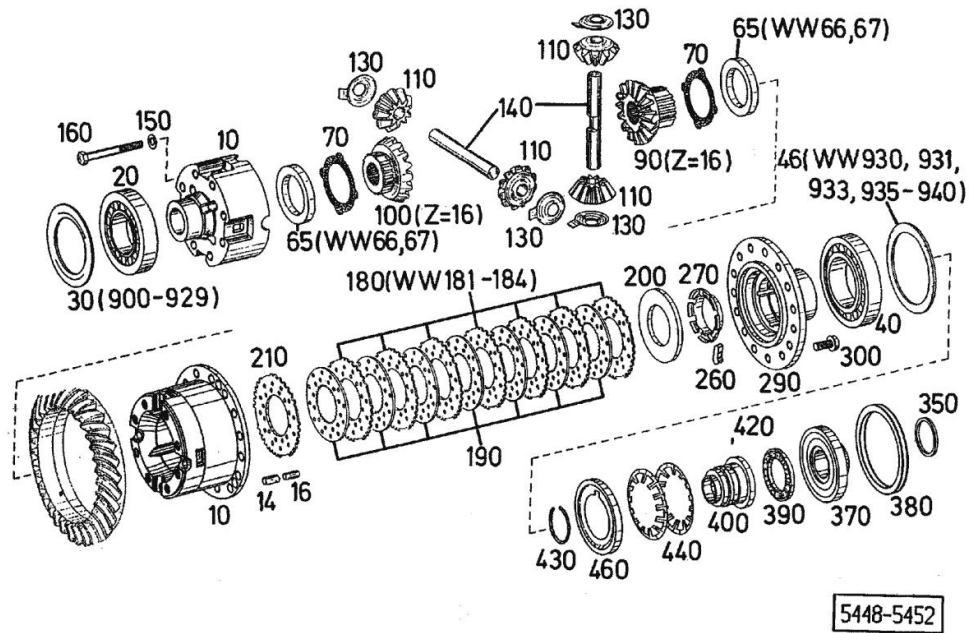


Fig.	P/n	QTY	Name
10	04415156	1	differential carrier
14	06210238	3	pin ISO 008752-12 X 20
16	01115484	3	pin ISO 008752-10 X 20
20	04415157	1	bearing
30	01295831	1	washer S = 2.0 MM
40	04415169	1	roller bearing
46	02376277	1	washer mm 0,7 S = 0.7 MM
65	04415159	2	shim A = 13.7 A = 13.7 MM
66	04415160	2	shim A = 13.6 A = 13.6 MM
67	04415161	2	shim A = 13.5 A = 13.5 MM
70	04415158	2	shim
90	04415170	1	crown wheel Z = 16
100	04415171	1	crown wheel
110	04415172	4	planet gear
130	04415173	4	shim
140	04350426	2	wheel spindle
150	04415175	8	washer
160	04415176	8	screw m 12 p.1.5x80
180	04415162	7	thin plate mm 1.4 S = 1.4 MM
181	04415163	7	thin plate mm 1.5 S = 1.5 MM
182	04415164	7	thin plate mm 1.6 S = 1.6 MM
183	04415165	7	thin plate mm 1.7 S = 1.7 MM
184	04415166	7	thin plate mm 1.8 S = 1.8 MM
190	04415167	7	thin plate
200	04415184	1	pressure plate
210	04415183	1	washer
260	04415182	8	lever
270	04415181	1	roller cage
290	04415180	1	cover

DRIVEN FRONT AXLE

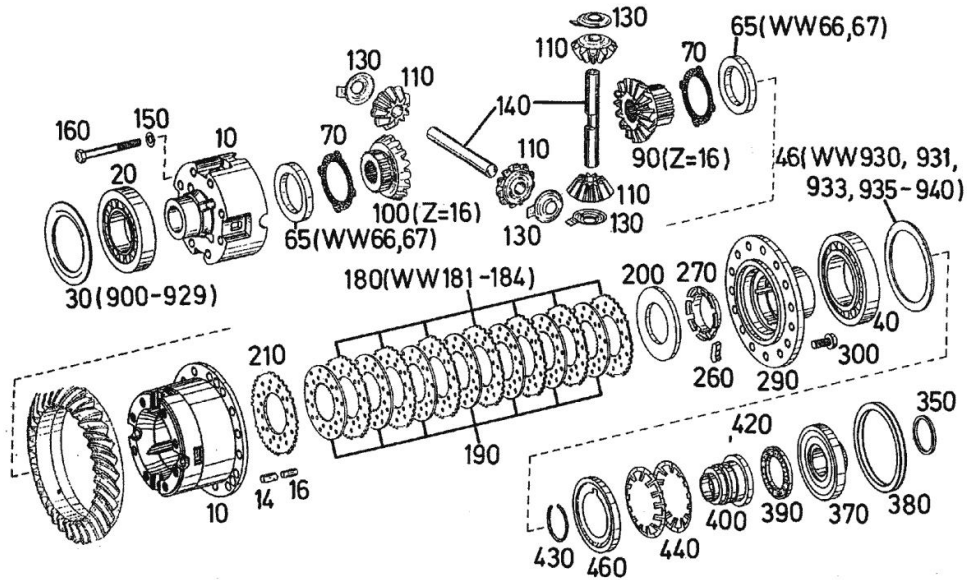


GETR. LENKACHSE
DRIVEN AXLE
ESSEU DIRECTEUR
EJE MOTRIZ

APL 2045

2006-28 0504 7024

6.15-6.45



5448-5452

Fig.	P/n	QTY	Name
300	04415177	15	screw
350	04415178	1	ring 50.16x5.33
370	04415179	1	piston
380	04415185	1	ring 107.30x5.33
390	04415186	1	bearing
400	04415187	1	sleeve
420	01144447	1	pin ISO 008752- 5 X 10
430	01138467	1	circlip DIN 007993-B 65
440	04415188	2	spring
460	04415189	1	shim
900	04419178	1	shim S = 1.95 MM
901	04419179	1	shim S = 1.9 MM
902	04419180	1	shim S = 1.85 MM
903	04419181	1	shim S = 1.8 MM
904	04419182	1	shim A = 1.75 S = 1.75 MM
905	04419183	1	shim S = 1.7 MM
906	04419184	1	shim S = 1.65 MM
907	04419185	1	shim A = 1.60 S = 1.6 MM
908	04419186	1	shim A = 1.55 S = 1.55 MM
909	04419187	1	shim A = 1.50 S = 1.5 MM
910	04419188	1	shim A = 1.45 S = 1.45 MM
911	01300322	1	washer S = 1.4 MM
912	04349952	1	washer A = 1.2 S = 1.2 MM
913	04349953	1	shim A = 1.0 S = 1.0 MM
914	04349954	1	washer A = 0.8 S = 0.8 MM
915	01300323	1	washer A = 0.6 S = 0.6 MM

Buy Now



Our support email:

ebooklibonline@outlook.com