

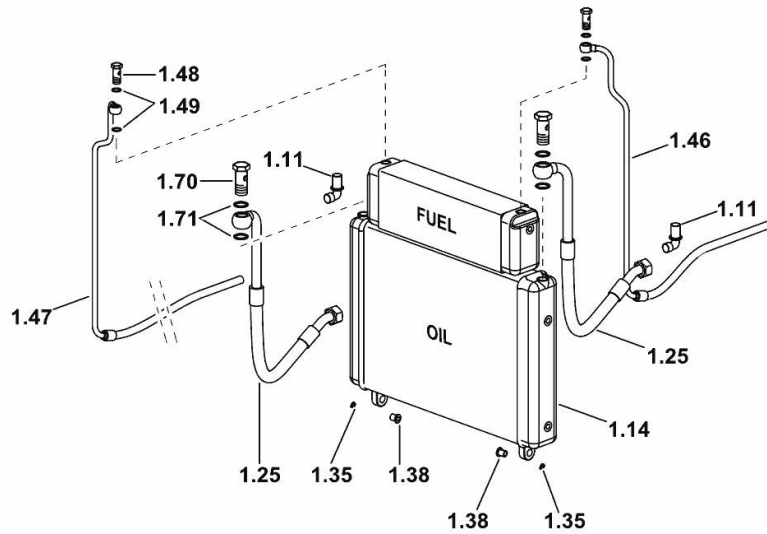
FUEL COOLER - GEAR OIL COOLER

Fig.	P/n	QTY	Name
------	-----	-----	------

Notes:

[Agrotron 150] -> 1354 - 1583 <-

1.11	04452339	2	threaded joint
1.14	0.014.0030.3/20	1	oil cooler
1.25	0.014.0042.3/20	2	flexible hose
1.35	2.1430.009.2	4	ring 8
1.38	2.1559.147.0	8	bushing
1.46	0.014.0101.3/10	1	tube sx/lb/li
1.47	0.014.0102.3/10	1	tube dx/rh/re
1.48	01119246	2	pipe union H 3102 -D10 M
1.49	01118688	4	ring 14x17
1.70	2.3335.009.2	2	pipe union m 22 p.1.5 x 39
1.71	2.1560.017.0	4	gasket 22.2 x 27



K9_C7683_00_0-E-002

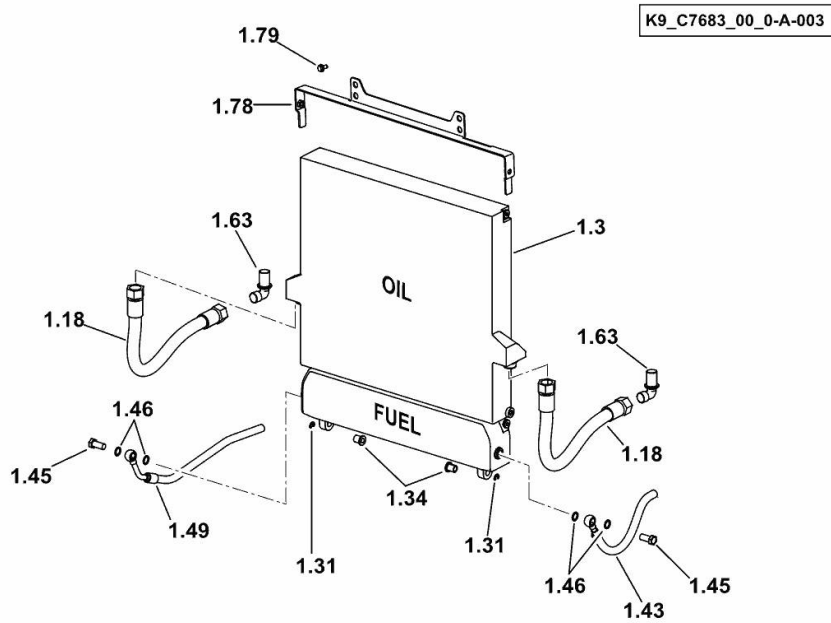
FUEL COOLER - GEAR OIL COOLER

Fig.	P/n	QTY	Name
------	-----	-----	------

Notes:

[Agrotron 150] -> 1580 - 2900 <-

1.3	0.013.4874.4/10	1	radiator
1.18	0.013.3603.3/10	2	flexible hose
1.31	2.1430.009.2	4	ring 8
1.34	2.1559.147.0	8	bushing
1.43	04452457	1	rubber tube sx/lh/li
1.45	01119246	2	pipe union H 3102 -D10 M
1.46	2.1569.220.0	4	oil seal
1.49	04452458	1	rubber tube dx/rh/re
1.63	04452339	2	threaded joint
1.78	0.014.0047.3	1	support
1.79	2.0112.205.2	2	screw m 8 p.1.25 x 16



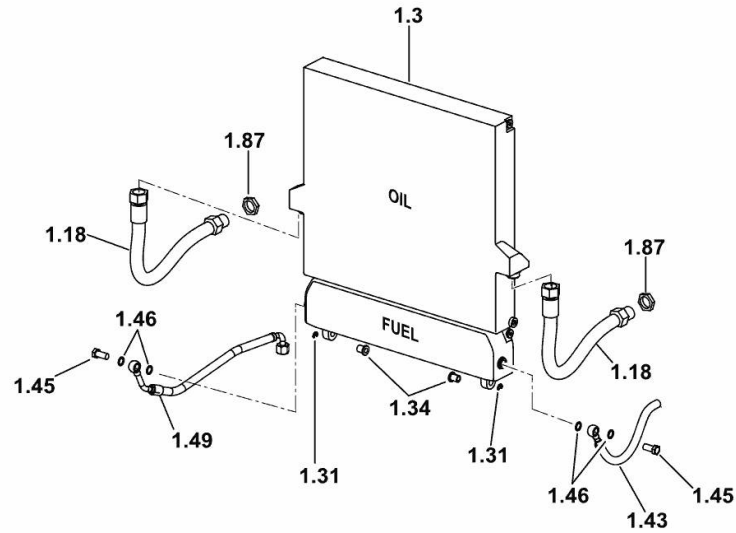
FUEL COOLER - GEAR OIL COOLER

Fig.	P/n	QTY	Name
------	-----	-----	------

Notes:

[Agrotron 150] -> 2899

1.3	0.013.4874.4/10	1	radiator
1.18	0.013.3603.3/20	2	flexible hose
1.31	2.1430.009.2	4	ring 8
1.34	2.1559.147.0	8	bushing
1.43	04452457	1	rubber tube sx/lh/li
1.45	01119246	2	pipe union H 3102 -D10 M
1.46	2.1569.220.0	4	oil seal
1.49	04455155	1	tube
1.87	01123544	2	nut m 26 p.1.5



K9_C7683_00_0-A-004

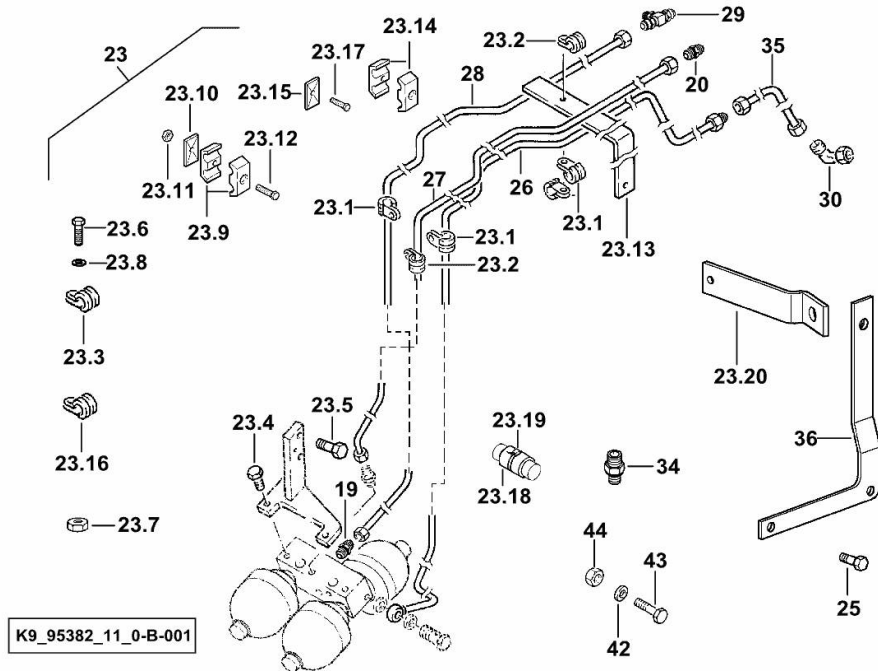
FRONT CARRIER SUSPENSION SYSTEM OPEN CENTER

Fig.	P/n	QTY	Name
------	-----	-----	------

Notes:

- FOR TYPES WITH 8-WAY AUXILIARY SERVICES CONTROL VALVE [Agrotron 150] 1647 <-

19	01177226	3	pipe fitting m 18 p.1.5 x 15
20	01180558	1	pipe fitting M 16X1.5X10
23	04437840.4	1	assembly kit
23.1	01220008	4	fascia B10X20
23.2	01212670	3	fascia B10X15
23.3	01179680	4	clamp A15X15
23.4	01139931	2	screw m 10 x 25
23.5	01112529	2	screw m 12 x 30, d933
23.6	01103316	3	screw m 6 p.1.0 x 16
23.7	01127079	2	nut m 6 dx/rh/re
23.8	01178434	2	washer 13X21X1.5
23.9	01175727	2	terminal
23.10	01175670	1	small plate
23.11	01112824	1	nut m 8, d934
23.12	01124457	1	screw m 8 x 45
23.13	04426998	1	console
23.14	01175615	4	terminal Ø 16
23.15	01178734	3	small plate
23.16	01172129	2	terminal B8X15
23.17	01112279	1	screw m 6 p.1 x 40
23.18	02382224	1	sleeve 12
23.19	01172065	1	clamp 4.6 x 146
23.20	04436639	1	support
25	01112299	2	screw m 8 x 12, d933
26	04437821	1	pipng
27	04437822	1	tube
28	04437823	1	tube
29	04427045	1	pipe fitting T
30	01144816	1	pipe fitting
34	01179243	1	pipe fitting M 14X1.5X10
35	04438036	1	tube
36	04438092	1	support
42	01119817	2	washer
43	01123749	2	screw m 6 x 25
44	01127079	2	nut m 6 dx/rh/re



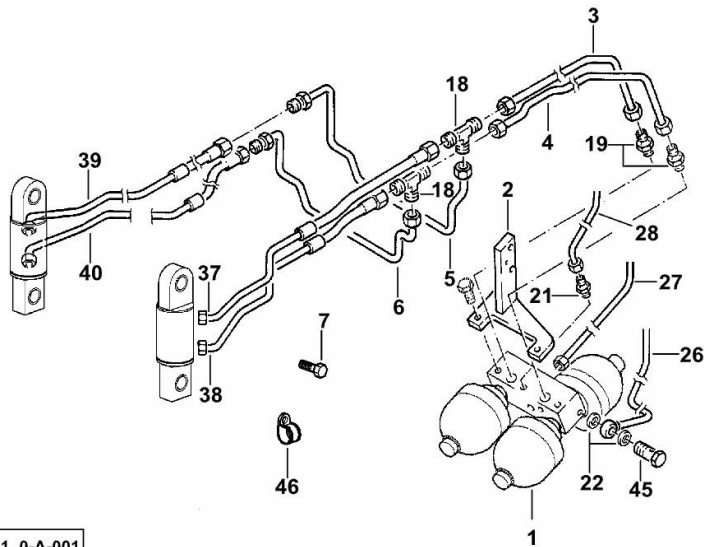
FRONT CARRIER SUSPENSION SYSTEM OPEN CENTER

Fig.	P/n	QTY	Name
------	-----	-----	------

Notes:

- FOR TYPES WITH 8-WAY AUXILIARY SERVICES CONTROL VALVE [Agrotron 150] 1647 <-

1	04450418	1	valve ☞ 04450418
2	04418924	1	support
3	04418056	1	pipng
4	04418057	1	pipng
5	04418058	1	pipng
6	04418059	1	pipng
7	01112333	2	screw m 8 x 25, d933
18	01127372	2	pipe fitting 1 15 d3908
19	01177226	3	pipe fitting m 18 p.1.5 x 15
21	01180557	1	pipe fitting m 12 p.1.5x8
22	01172949	2	oil seal 16.7
26	04437821	1	pipng
27	04437822	1	tube
28	04437823	1	tube
37	04437748	1	flexible hose sx/lh/li
38	04437749	1	flexible hose sx/lh/li
39	04438085	1	flexible hose dx/rh/re
40	04438086	1	flexible hose dx/rh/re
45	01137064	1	pipe union m 16 p.1.5
46	01174437	4	clamp



K9_95382_11_0-A-001

HYDRAULIC SYSTEM FOR SUSPENDED AXLE OPEN CENTER

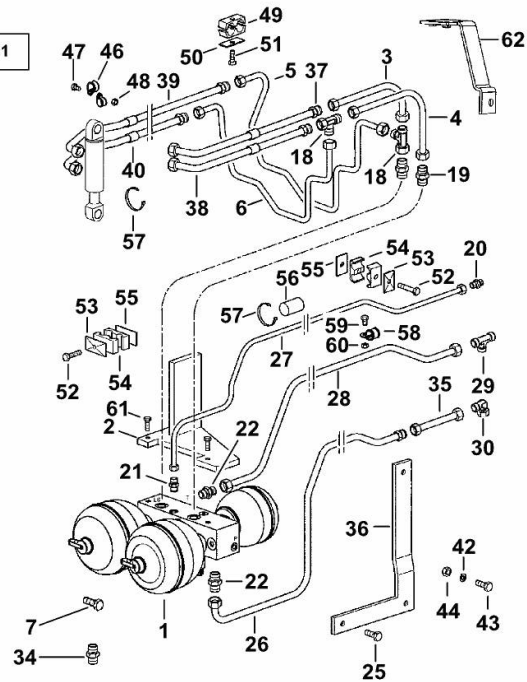
Fig.	P/n	QTY	Name
------	-----	-----	------

Notes:

- FOR TYPES WITH 8-WAY AUXILIARY SERVICES CONTROL VALVE [Agrotron 150] -> 1650 - 2644 <-

1	04452756	1	valve ☞ 04452756
2	04453682.3	1	support
3	04454034	1	pipng
4	04454035/10	1	tube
5	04454036	1	pipng
6	04454037	1	pipng
7	01112333	2	screw m 8 x 25, d933
18	01173233	2	pipe fitting
19	01177226	3	pipe fitting m 18 p.1.5 x 15
20	01180558	1	pipe fitting M 16X1.5X10
21	01180557	1	pipe fitting m 12 p.1.5x8
22	01180558	2	pipe fitting M 16X1.5X10
25	01112299	2	screw m 8 x 12, d933
26	04454018	1	pipng
27	04454019	1	pipng
28	04454020	1	pipng
29	04427045	1	pipe fitting T
30	01144816	1	pipe fitting
34	01179243	1	pipe fitting M 14X1.5X10
35	04438036	1	tube
36	04438092	1	support
37	04454043	1	flexible hose sx/lh/li
38	04454042	1	flexible hose sx/lh/li
39	04454029	1	flexible hose dx/rh/re
40	04454028	1	flexible hose dx/rh/re
42	01119817	2	washer
43	01123749	2	screw m 6 x 25
44	01127079	2	nut m 6 dx/rh/re
46	01174437	4	clamp
47	01112322	2	screw m 8 p.1.25 x 20
48	01104944	2	nut m 8, d985
49	01175727	2	terminal
50	01175670	1	small plate
51	01124457	1	screw m 8 x 45
52	01122389	4	screw m 6 p.1 x 35
53	01177274	4	small plate
54	01175615	8	terminal Ø 16
55	01175616	4	small plate
56	02382224	2	sleeve 12
57	01173143	2	clamp 4,6x280

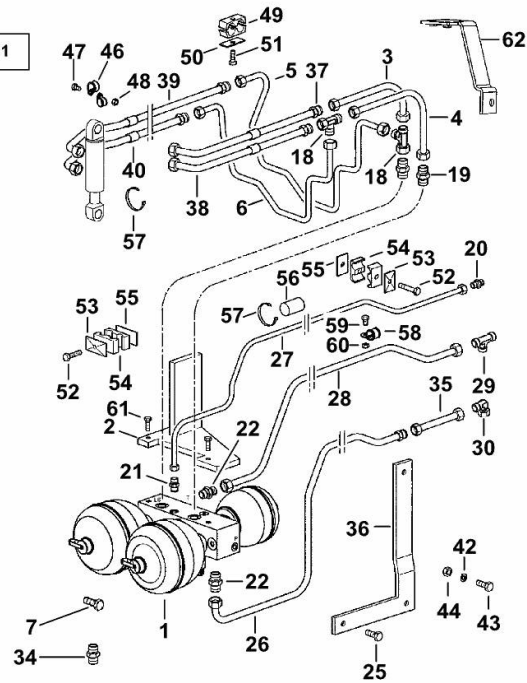
K9_F5082_11_0-A-001



HYDRAULIC SYSTEM FOR SUSPENDED AXLE OPEN CENTER

Fig.	P/n	QTY	Name
58	01212670	2	fascia B10X15
59	01112264	2	screw m 6 x 20, d933
60	01127079	2	nut m 6 dx/rh/re
61	01139931	2	screw m 10 x 25
62	04454629	1	support

K9_F5082_11_0-A-001



Buy Now



Our support email:

ebooklibonline@outlook.com