

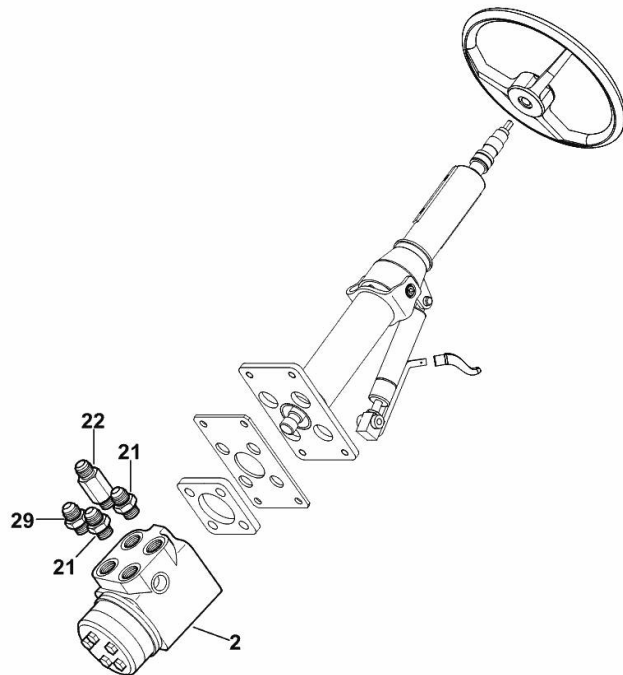
HYDROSTATIC STEERING CONTROL VALVE

Fig.	P/n	QTY	Name
------	-----	-----	------

Notes:

[Agrotron 150 Profiline]

2	04450329	1	hydrostatic BOSCH LAGU 180/90-12/LDR-175M40-413 (1556 <-) ☞ 04450329
2	2.4569.015.0	1	power steering BOSCH LAGU 180/90-30/LDR-175M40-413S2 ☞ 2.4569.015.0
21	01178350	1	pipe fitting m 18 p.1.5x12
22	01180560	2	pipe fitting m 18 p.1.5x10
29	01177226	1	pipe fitting m 18 p.1.5 x 15



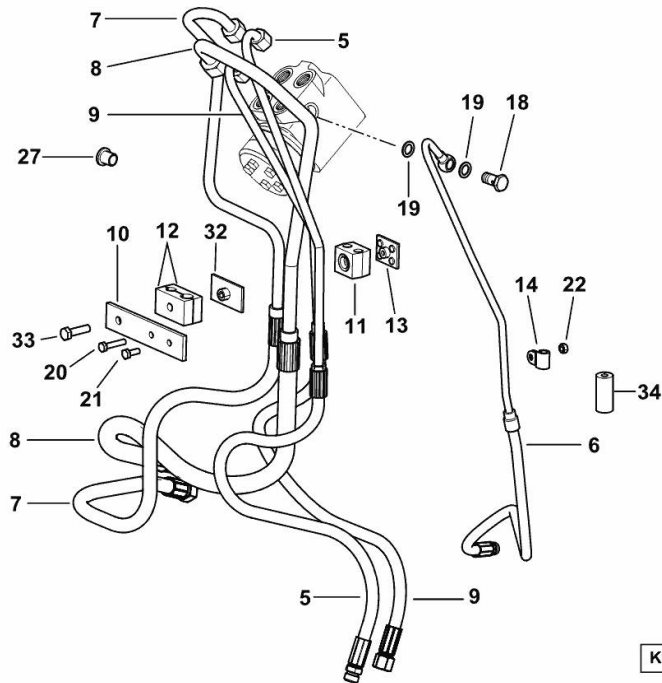
K9_D3663_00_0-B-001

PIPES FOR HYDROSTATIC STEERING

Fig.	P/n	QTY	Name
------	-----	-----	------

Notes:

[Agrotron 150 Profiline]



K9_95363_10_0-A-001

5	04435955/10	1	tube sx/lh/li
6	04429233/10	1	tube
7	04429147/10	1	tube
8	04450546/10	1	tube
9	04435953/10	1	tube dx/rh/re
10	04450731	1	bracket
11	01175615	2	terminal Ø 16
12	01175671	2	terminal 12-15
13	01177274	1	small plate
14	01175559	1	fascia
18	01119240	1	pipe union
19	01118681	2	oil seal a 12x18 d7603
20	2.0112.011.2	1	screw m 6 p.1x30
21	2.0112.005.2	1	screw m 6 p.1 x 16
22	2.1011.103.2	1	nut m 6 p.1
27	01167312	1	plug 10.3x8 x17
32	01180338	1	small plate
33	2.0112.211.2	1	screw m 8 p.1.25 x 30
34	01218045	3	rubber plug

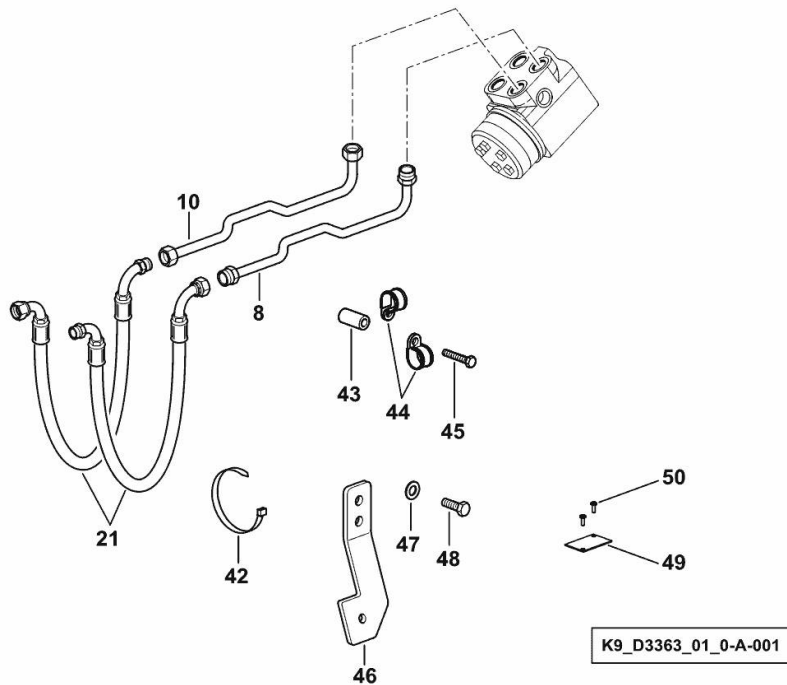
PIPES FOR HYDROSTATIC STEERING

Fig.	P/n	QTY	Name
------	-----	-----	------

Notes:

WITHOUT SUSPENDED AXLE [Agrottron 150 Profiline]

8	04424721	1	tube
10	04416526	1	tube
21	04453775	2	tube
42	2.6852.203.0	2	clamp 292 x 4.8
43	04355272	2	bushing 9x13x16
44	01220008	4	fascia B10X20
45	2.0114.215.2	2	screw m 8 p.1.25 x 40
46	04454708.3	1	bracket
47	2.1310.004.2	2	flat washer 8.4x17
48	2.0114.207.2	2	screw m 8 p.1.25 x 20
49	04419530	1	shim
50	2.0332.204.2	2	screw 4 x 12



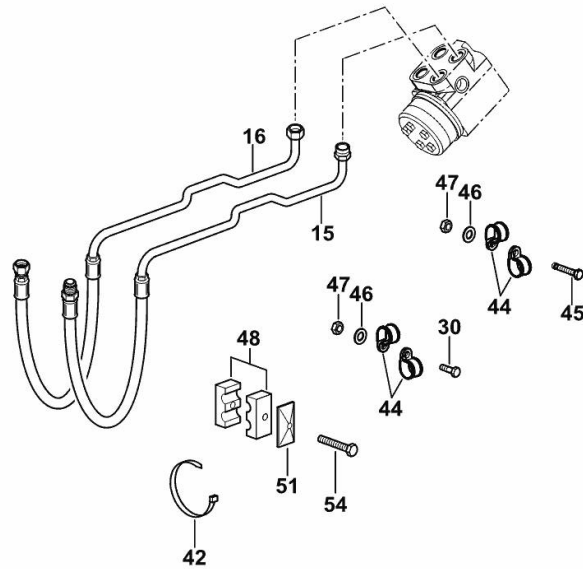
PIPES FOR HYDROSTATIC STEERING

Fig.	P/n	QTY	Name
------	-----	-----	------

Notes:

- WITH SUSPENDED AXLE [Agrottron 150 Profiline]

15	04453797	1	pipng sx/lh/li
16	04453796	1	pipng dx/rh/re
30	2.0114.207.2	1	screw m 8 p.1.25 x 20
42	2.6852.203.0	2	clamp 292 x 4.8
44	01220008	4	fascia B10X20
45	2.0114.215.2	1	screw m 8 p.1.25 x 40
46	2.1312.004.2	2	washer 8x24x2
47	2.1120.105.2	2	self-locking nut m 8 p.1.25
48	01175727	2	terminal
51	01175670	1	small plate
54	2.0114.216.2	1	screw m 8 x 45



K9_D3363_02_0-A-002

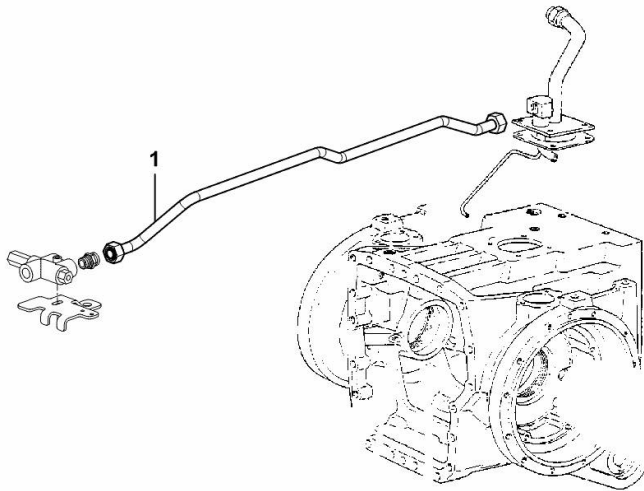
GUIDE PIPE

Fig.	P/n	QTY	Name
------	-----	-----	------

Notes:

[Agrotron 150 Profiline]

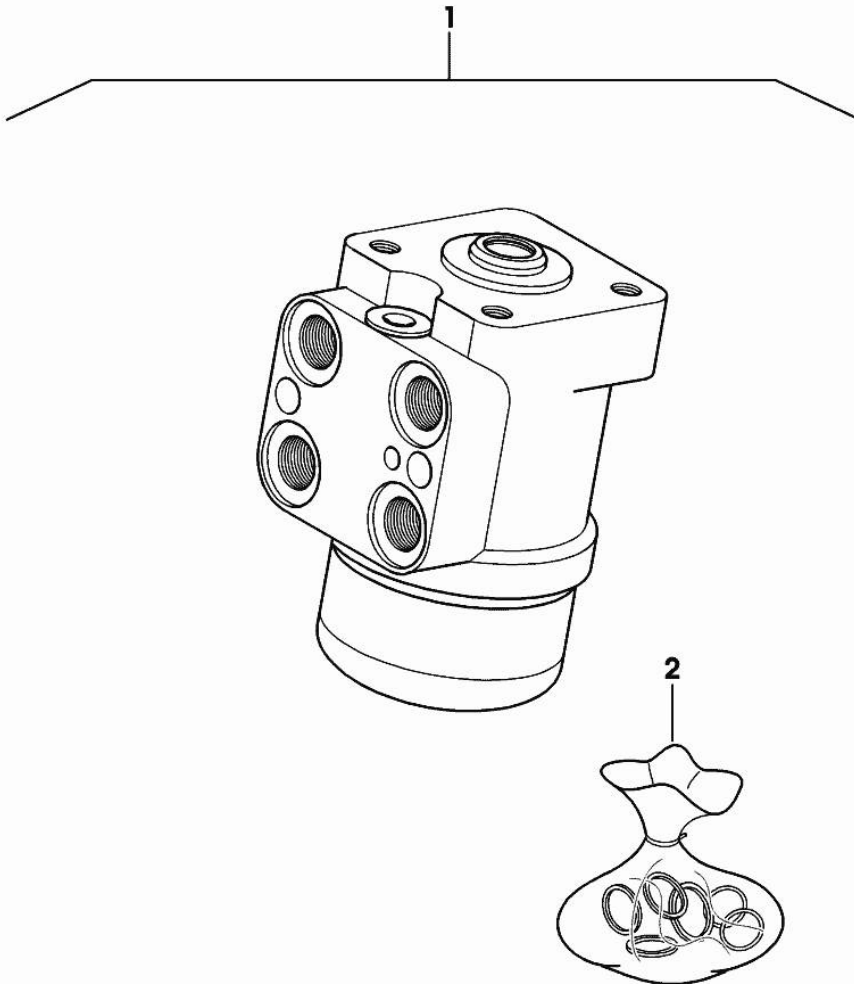
1	0.016.8206.3	1	tube
---	--------------	---	------



K9_D4063_07_0-A-001

HYDRAULIC STEERING GEAR

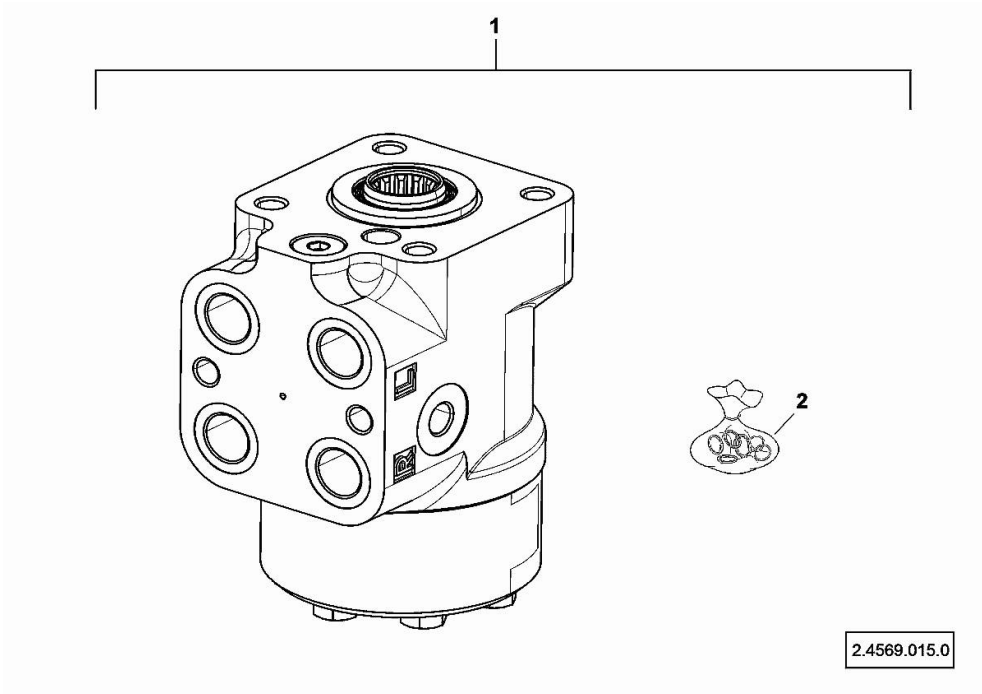
Fig.	P/n	QTY	Name
1	04450329	1	hydrostatic BOSCH LAGU 180/90-12/LDR-175M40-413
2	0.900.0039.4	1	seal ring kit



04450329

HYDRAULIC STEERING GEAR

Fig.	P/n	QTY	Name
1	2.4569.015.0	1	power steering BOSCH LAGU 180/90-30/LDR-175M40-413S2
2	0.900.2099.1	1	gasket set



Buy Now



Our support email:

ebooklibonline@outlook.com