

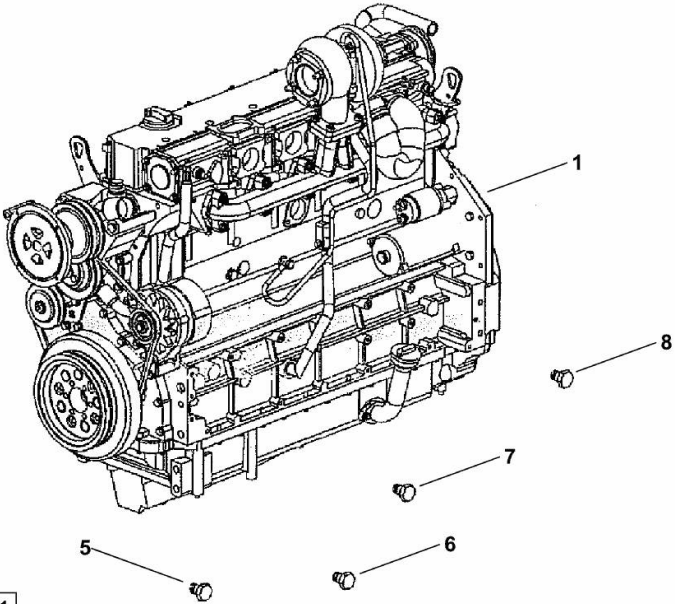
**ENGINE**

Fig.	P/n	QTY	Name
------	-----	-----	------

**Notes:**

[Agrotron 150.7 Profiline]

1	25007802	1	new engine >100 kw ON ORDERING PLEASE ENGINE NO. REQUIRED
5	01167308	4	plug 7.2x5.2x9
6	01167312	3	plug 10.3x8 x17
7	01167315	1	plug 12.4x10x17
8	01167322	8	bottom 18.4x15.5x25



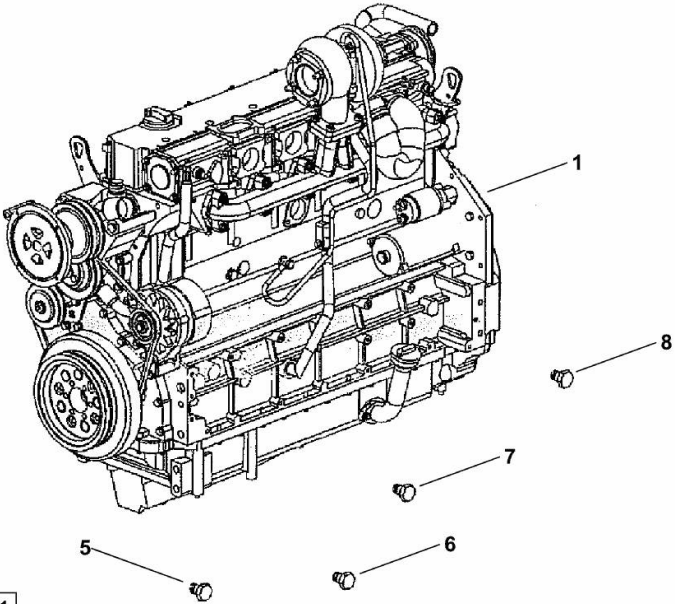
K9\_O0619\_01\_0-A-001

**ENGINE**

Fig.	P/n	QTY	Name
------	-----	-----	------

Notes:  
 - EXPORT U.S.A. [Agrotron 150.7 Profiline]

1	25007803	1	new engine >100 kw ON ORDERING PLEASE ENGINE NO. REQUIRED
5	01167308	4	plug 7.2x5.2x9
6	01167312	3	plug 10.3x8 x17
7	01167315	1	plug 12.4x10x17
8	01167322	8	bottom 18.4x15.5x25



K9\_O0619\_02\_0-A-001

**FASTENINGS**

Fig.	P/n	QTY	Name
------	-----	-----	------

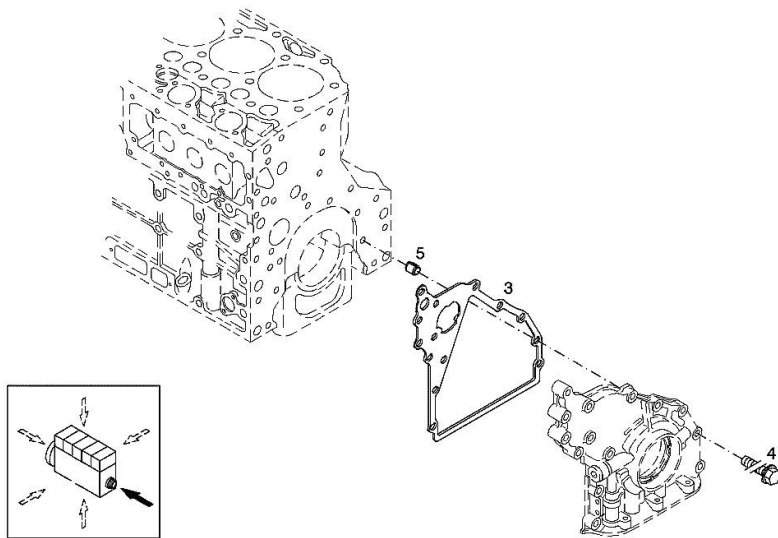
**Notes:**

[Agrotron 150.7 Profiline]

**Engine serial number:**

10186033 10186036 10187594 10190965 10202548 10205770 10205771 10205772 10205773 10206097 10210487  
 10210488 10210498 10210499 10210500 10210501 10210503 10210504 10210507 10210522 10211841 10211856  
 10211861 10211862 10211863 10211865 10211866 10211867 10214462 10214463 10214465 10214468 10214469  
 10214470 10214902 10214905 10214909 10214911 10214913 10214914 10214915 10214921 10214922 10214927  
 10214931 10214934 10214935 10214936 10214938 10214939 10220902 10220903 10220904 10220905 10220906  
 10220908 10220909 10220910 10220913 10220915 10220916 10220917 10220918 10220921 10220922 10220926  
 10220929 10220936 10220951 10220953 10221398 10221399 10221402 10221404 10221407 10221408 10221409  
 10221419 10221431 10221433 10221435 10221436 10221438 10221441 10221446 10221447 10221448 10225622  
 10225623 10225627 10225628 10225630 10230018 10230019 10230927 10234045 10238768 10238770 10238775  
 10238776 10238790 10238795 10238801 10238802 10241947 10244857 10247655 10247657 10247660 10247662  
 10247666 10247672 10247673 10247674 10253183 10253187 10253191 10253194 10253195 10253197 10253198  
 10253199 10255391 10255392 10255397 10255398 10255400 10255403 10255404 10259089 10259093 10266459  
 10266932 10274029 10274030 10274069 10274070 10283743 10283745 10283746 10283747 10283748 10283749  
 10283750 10283752 10283753 10283754 10283755 10283758 10283760 10283765 10283770 10283775 10283776  
 10283778 10283779 10283780 10283781 10283783 10283785 10288920 10288921 10288922 10288923 10288924  
 10288925 10288926 10288927 10288928 10288934 10288935 10288939 10288942 10288946 10288947

001 ©



3	04910582	1	gasket
4	01143362	14	screw
			5 Nm, 30 Nm consult workshop manual 5 Nm, 21 Nm consult workshop manual EN 1662 -F-M8X35-10.9-A4C
5	01181406	1	bushing H 2341 -B11X8-FE/ZN12C*

SERIE GUARNIZIONI

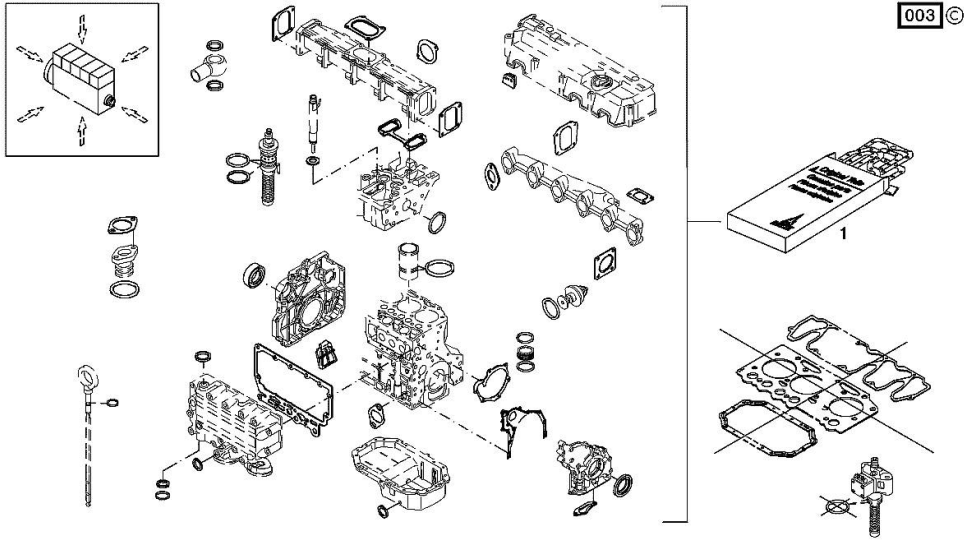
Fig.	P/n	QTY	Name
------	-----	-----	------

Notes:

[Agrotron 150.7 Profiline]

Engine serial number:

- 10186033 10186036 10187594 10190965 10202548 10205770 10205771 10205772 10205773 10206097 10210487
- 10210488 10210498 10210499 10210500 10210501 10210503 10210504 10210507 10210522 10211841 10211856
- 10211861 10211862 10211863 10211865 10211866 10211867 10214462 10214463 10214465 10214468 10214469
- 10214470 10214902 10214905 10214909 10214911 10214913 10214914 10214915 10214921 10214922 10214927
- 10214931 10214934 10214935 10214936 10214938 10214939 10220902 10220903 10220904 10220905 10220906
- 10220908 10220909 10220910 10220913 10220915 10220916 10220917 10220918 10220921 10220922 10220926
- 10220929 10220936 10220951 10220953 10221398 10221399 10221402 10221404 10221407 10221408 10221409
- 10221419 10221431 10221433 10221435 10221436 10221438 10221441 10221446 10221447 10221448 10225622
- 10225623 10225627 10225628 10225630 10230018 10230019 10230927 10234045 10238768 10238770 10238775
- 10238776 10238790 10238795 10238801 10238802 10241947 10244857 10247655 10247657 10247660 10247662
- 10247666 10247672 10247673 10247674 10253183 10253187 10253191 10253194 10253195 10253197 10253198
- 10253199 10255391 10255392 10255397 10255398 10255400 10255403 10255404 10259089 10259093 10266459
- 10266932 10274029 10274030 10274069 10274070 10283743 10283745 10283746 10283747 10283748 10283749
- 10283750 10283752 10283753 10283754 10283755 10283758 10283760 10283765 10283770 10283775 10283776
- 10283778 10283779 10283780 10283781 10283783 10283785 10288920 10288921 10288922 10288923 10288924
- 10288925 10288926 10288927 10288928 10288934 10288935 10288939 10288942 10288946 10288947



1	02937627	1	gasket set The gasket kit does not contain: GASKET IN FIG. (SM 0199-99-9449)
---	----------	---	---

**BLEEDING TUBE**

Fig.	P/n	QTY	Name
------	-----	-----	------

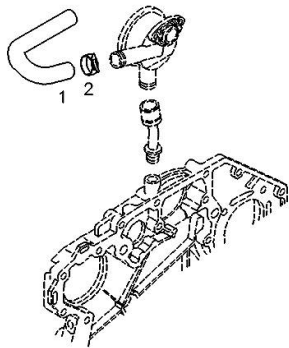
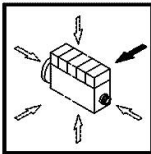
**Notes:**

[Agrotron 150.7 Profiline]

**Engine serial number:**

10186033 10186036 10187594 10190965 10202548 10205770 10205771 10205772 10205773 10206097 10210487  
10210488 10210498 10210499 10210500 10210501 10210503 10210504 10210507 10210522 10211841 10211856  
10211861 10211862 10211863 10211865 10211866 10211867 10214462 10214463 10214465 10214468 10214469  
10214470 10214902 10214905 10214909 10214911 10214913 10214914 10214915 10214921 10214922 10214927  
10214931 10214934 10214935 10214936 10214938 10214939 10220902 10220903 10220904 10220905 10220906  
10220908 10220909 10220910 10220913 10220915 10220916 10220917 10220918 10220921 10220922 10220926  
10220929 10220936 10220951 10220953 10221398 10221399 10221402 10221404 10221407 10221408 10221409  
10221419 10221431 10221433 10221435 10221436 10221438 10221441 10221446 10221447 10221448 10225622  
10225623 10225627 10225628 10225630 10230018 10230019 10230927 10234045 10238768 10238770 10238775  
10238776 10238790 10238795 10238801 10238802 10241947 10244857 10247655 10247657 10247660 10247662  
10247666 10247672 10247673 10247674 10253183 10253187 10253191 10253194 10253195 10253197 10253198  
10253199 10255391 10255392 10255397 10255398 10255400 10255403 10255404 10259089 10259093 10266459  
10266932 10274029 10274030 10274069 10274070 10283743 10283745 10283746 10283747 10283748 10283749  
10283750 10283752 10283753 10283754 10283755 10283758 10283760 10283765 10283770 10283775 10283776  
10283778 10283779 10283780 10283781 10283783 10283785 10288920 10288921 10288922 10288923 10288924  
10288925 10288926 10288927 10288928 10288934 10288935 10288939 10288942 10288946 10288947

000 ©



1	04198572	1	tube
2	01178750	1	clamp DIN 3021 -A-29X15

**BLEEDING TUBE**

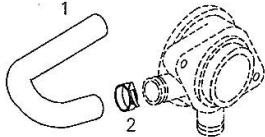
Fig.	P/n	QTY	Name
------	-----	-----	------

**Notes:**

[Agrotron 150.7 Profiline]

1	04198572	1	tube
2	01178750	3	clamp DIN 3021 -A-29X15

001



**CRANKCASE BREATHER**

Fig.	P/n	QTY	Name
------	-----	-----	------

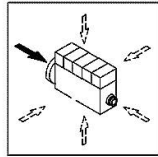
**Notes:**

[Agrotron 150.7 Profiline]

**Engine serial number:**

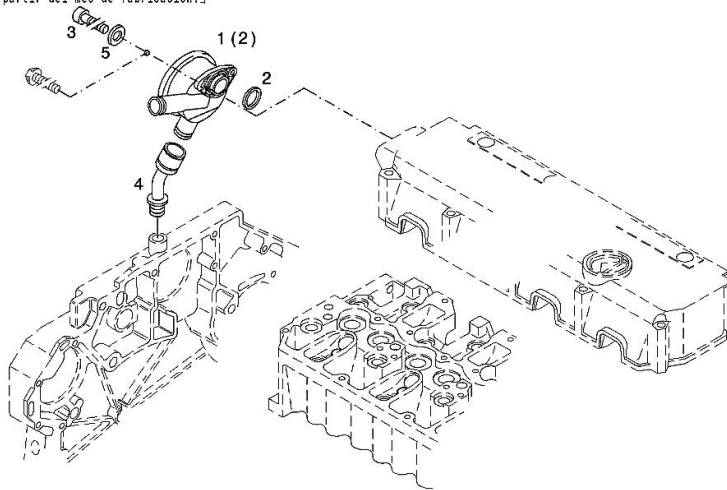
10186033 10186036 10187594 10190965 10202548 10205770 10205771 10205772 10205773 10206097 10210487  
 10210488 10210498 10210499 10210500 10210501 10210503 10210504 10210507 10210522 10211841 10211856  
 10211861 10211862 10211863 10211865 10211866 10211867 10214462 10214463 10214465 10214468 10214469  
 10214470 10214902 10214905 10214909 10214911 10214913 10214914 10214915 10214921 10214922 10214927  
 10214931 10214934 10214935 10214936 10214938 10214939 10220902 10220903 10220904 10220905 10220906  
 10220908 10220909 10220910 10220913 10220915 10220916 10220917 10220918 10220921 10220922 10220926  
 10220929 10220936 10220951 10220953 10221398 10221399 10221402 10221404 10221407 10221408 10221409  
 10221419 10221431 10221433 10221435 10221436 10221438 10221441 10221446 10221447 10221448 10225622  
 10225623 10225627 10225628 10225630 10230018 10230019 10230927 10234045 10238768 10238770 10238775  
 10238776 10238790 10238795 10238801 10238802 10241947 10244857 10247655 10247657 10247660 10247662  
 10247666 10247672 10247673 10247674 10253183 10253187 10253191 10253194 10253195 10253197 10253198  
 10253199 10255391 10255392 10255397 10255398 10255400 10255403 10255404 10259089 10259093 10266459  
 10266932 10274029 10274030 10274069 10274070 10283743 10283745 10283746 10283747 10283748 10283749  
 10283750 10283752 10283753 10283754 10283755 10283758 10283760 10283765 10283770 10283775 10283776  
 10283778 10283779 10283780 10283781 10283783 10283785 10288920 10288921 10288922 10288923 10288924  
 10288925 10288926 10288927 10288928 10288934 10288935 10288939 10288942 10288946 10288947

1002 ©



ab Baumont:  
 From month of manufacture:  
 a partir mois de montage:  
 a partir del mes de fabricacion:

09.95



1	04255055	1	valve WITH POS.... (2)
2	04207649	1	ring
3	01148431	2	screw - FROM THE MONTH OF ASSEMBLY SEE POS. ( B ) - UP TO THE MONTH OF ASSEMBLY ( A ) FROM THE MONTH OF ASSEMBLY A = 09.1995 B = POS. 950 ISO 4762 -M6X20-8.8-ZNAL-A
4	04207290	1	piping
5	01124654	2	washer 6,4 d433 ISO 7092 -6-140HV-A4C*
950	01181965	2	screw - UP TO MONTH OF ASSEMBLY ( A ) - FROM MONTH OF ASSEMBLY SEE POS. ( B ) A = 08.1995 B = POS. 3 EN 1662 -F-M6X20-10.9-ZNAL-A

**Buy Now**



Our support email:

[ebooklibonline@outlook.com](mailto:ebooklibonline@outlook.com)