

**DISTRIBUTOR PARTS**

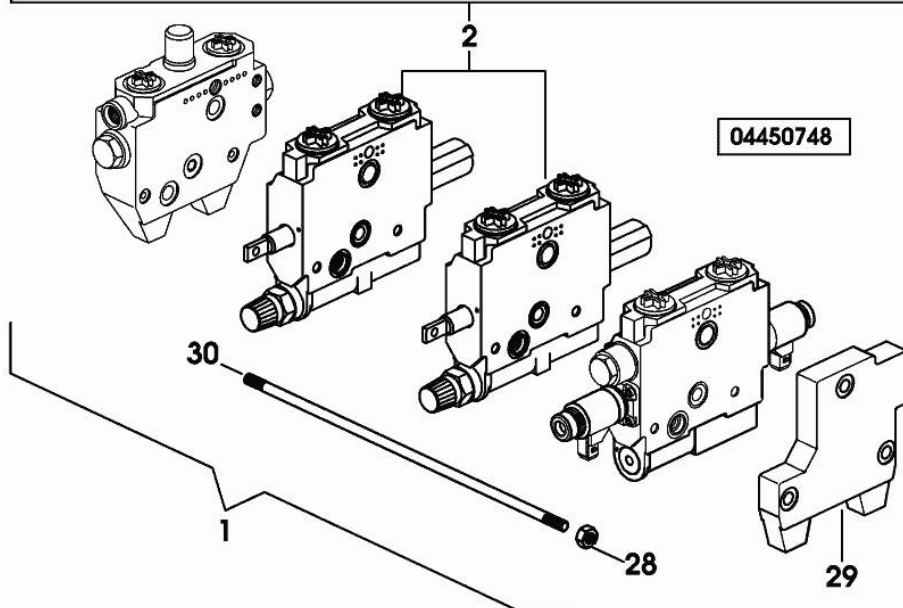
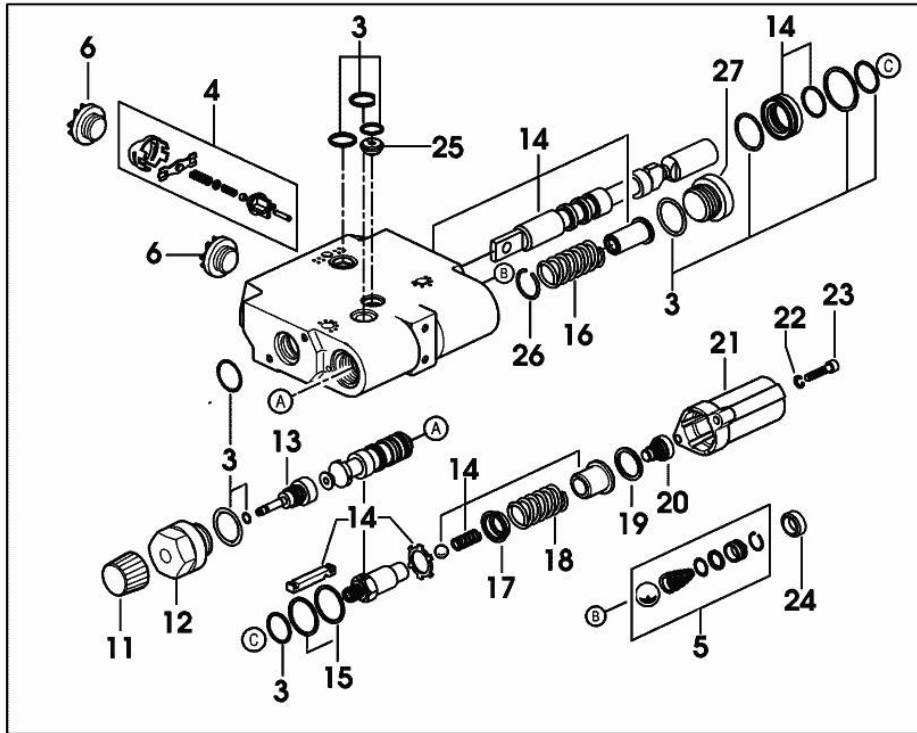
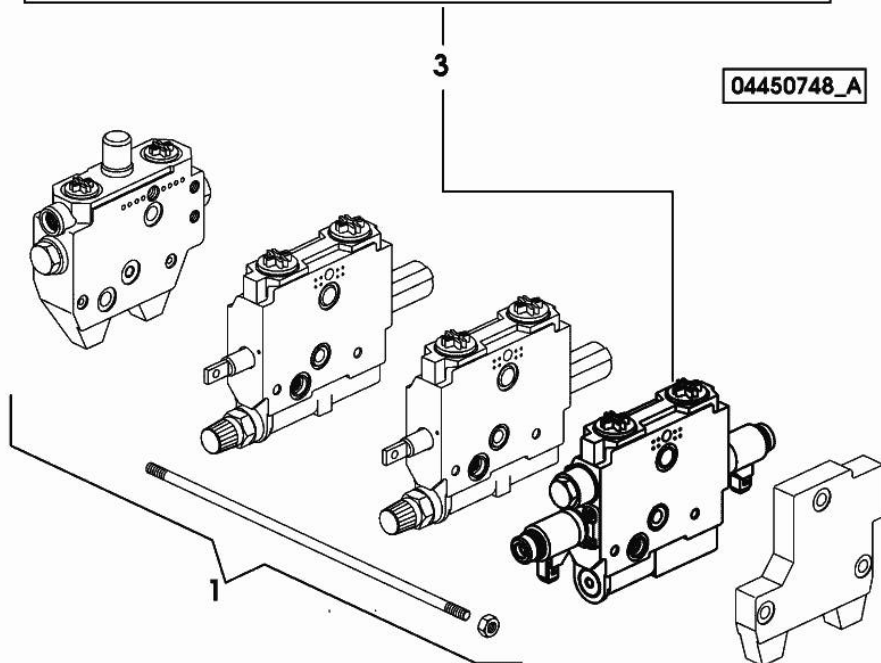
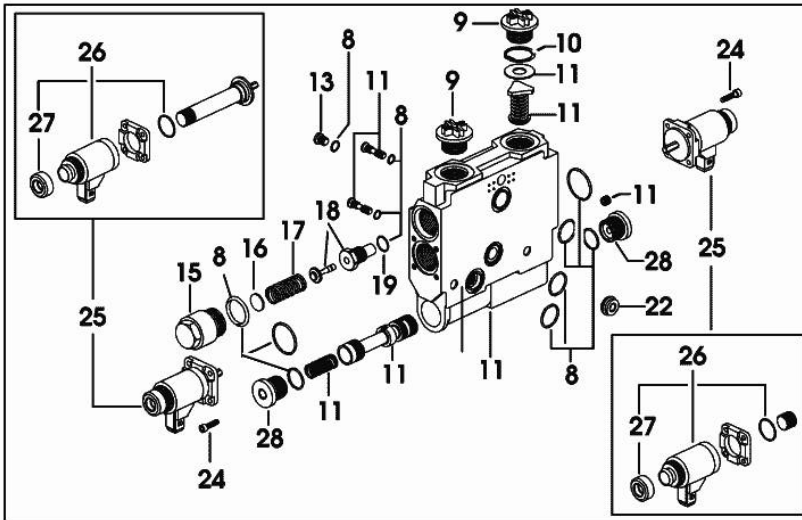


Fig.	P/n	QTY	Name
1	04450748	1	hydraulic control block
2	0.010.3669.2	2	spool valve
3	0.010.3540.1	1	gasket set
4	0.010.3139.2	1	gasket set
5	04418200	1	spare parts kit
6	0.010.3139.0	2	cap
11	04418194	1	knob
12	04418193	1	screw
13	0.010.2437.0	1	register
14	0.000.0000.1		cannot be supplied
15	0.010.3541.0	2	ring
16	04417999	1	spring
17	0.010.2434.2	1	cup
18	0.010.3541.1	1	spring
19	04417996		shim mm 0.20
20	0.010.3541.2	1	plug
21	04417994	1	cover
22	0.010.3542.0	2	spring washer
23	0.010.2434.1	2	screw m 6x28
24	0.010.2438.1	1	cap
25	04418197	1	valve
26	04417998	1	circlip
27	04418191	1	screw
28	04418519	6	nut
29	04413341.4	1	tip
30	0.010.3539.0	3	rod

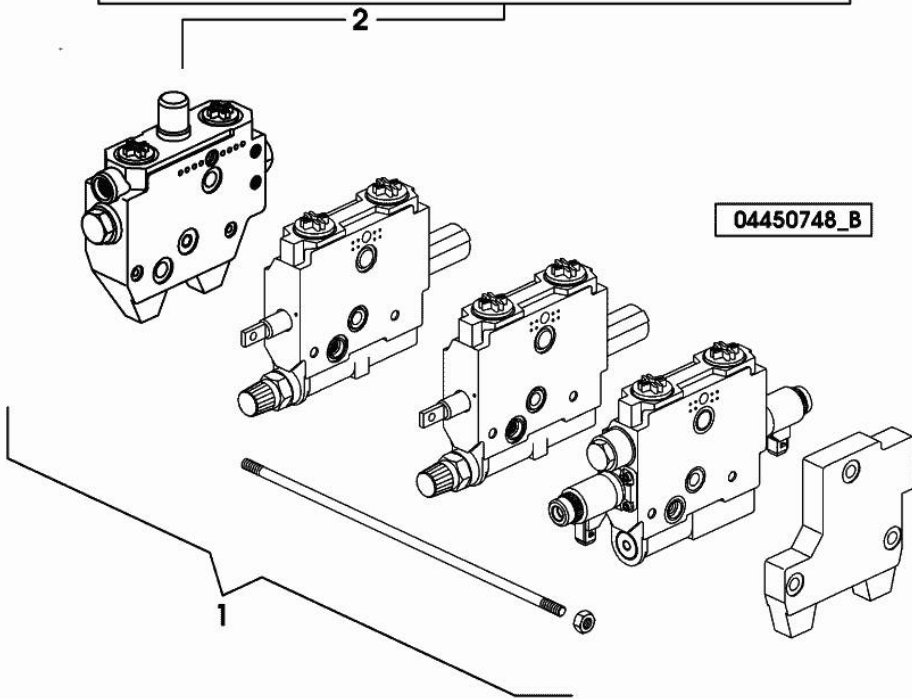
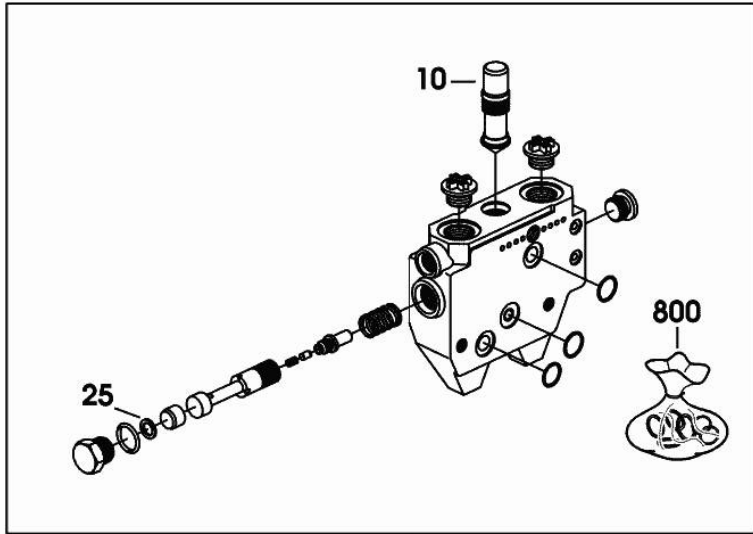
**DISTRIBUTOR PARTS**

Fig.	P/n	QTY	Name
1	04450748	1	hydraulic control block
3	04428917	1	regulator
8	0.010.3529.2	1	gasket set
9	0.010.3139.0	2	cap
10	0.010.2440.1	1	circlip
11	0.000.0000.1		cannot be supplied
13	04418220	1	screw
15	04427656	1	screw
16	04417986		shim 0.3
16	04417987		shim 0.4
16	04417988		shim 0.8
16	2.3719.040.1	1	shoulder ring 0.5
17	04418218	1	spring
18	04418219	1	insert
19	0.010.3333.2	1	special oil seal 12x1.75
22	04418197	1	valve
24	01126909	8	screw m 4 x 8
25	0.010.2439.0	2	coil
26	04428919	1	solenoid valve
27	0.010.2439.1	1	cap
28	04419758	2	screw



**DISTRIBUTOR PARTS**

Fig.	P/n	QTY	Name
1	04450748	1	hydraulic control block
2	0.010.3670.1	1	plate
10	04418524	1	valve
25	01289574		shim 0,20 MM
25	01289577		shim mm 0.30
25	01289579		shim 0,40 MM
800	0.010.3548.2	1	gasket set



**DISTRIBUTOR PARTS**

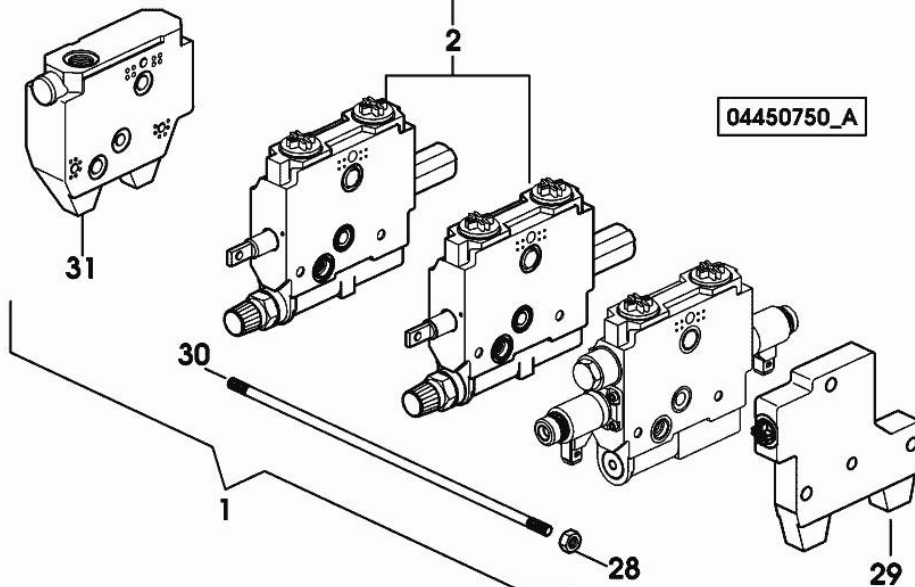
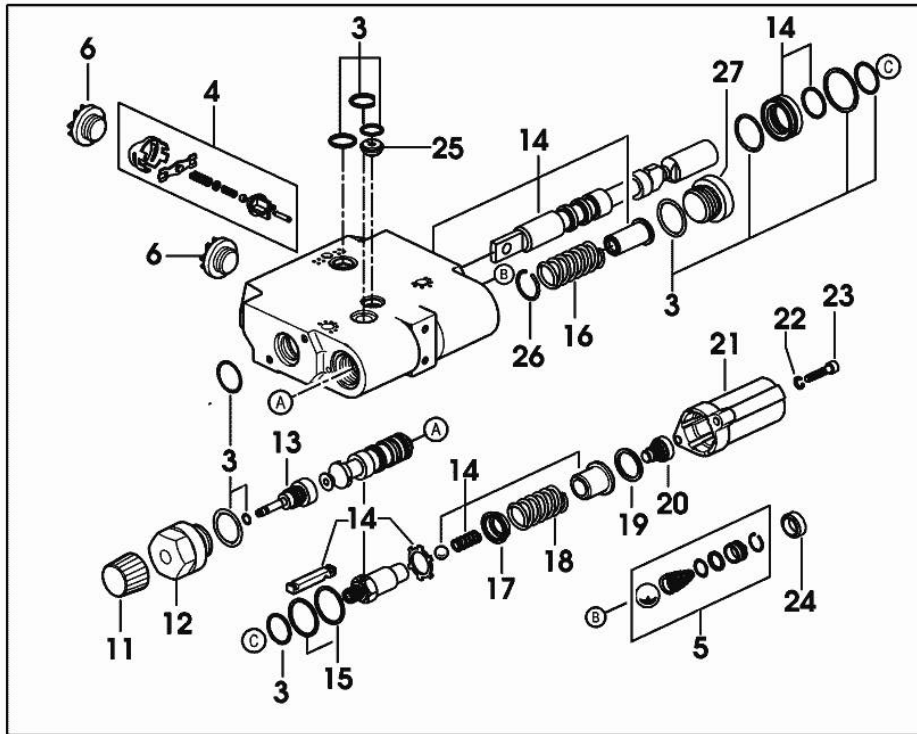
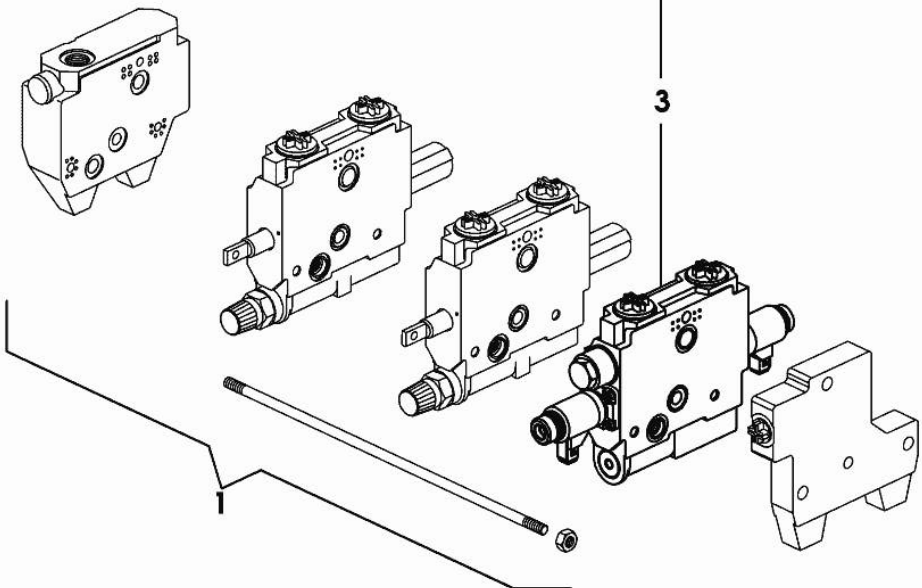
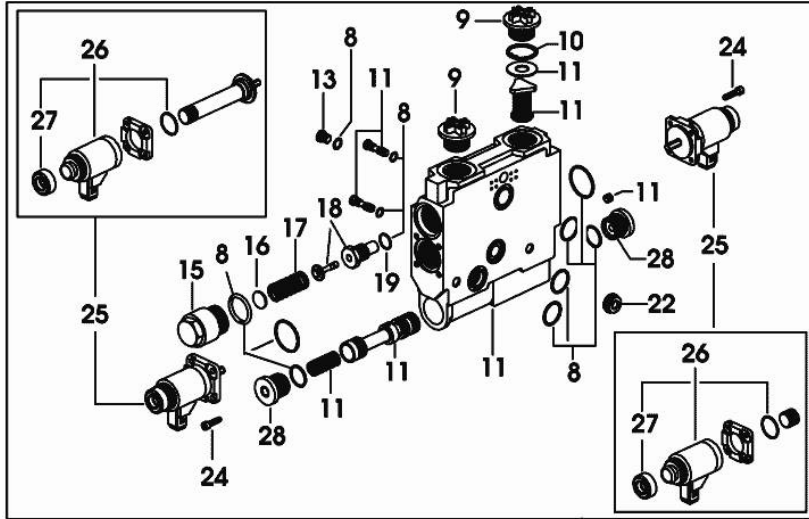


Fig.	P/n	QTY	Name
1	04450750	1	hydraulic control block
2	0.010.3669.2	2	spool valve
3	0.010.3540.1	1	gasket set
4	0.010.3139.2	1	gasket set
5	04418200	1	spare parts kit
6	0.010.3139.0	2	cap
11	04418194	1	knob
12	04418193	1	screw
13	0.010.2437.0	1	register
14	0.000.0000.1		cannot be supplied
15	0.010.3541.0	2	ring
16	04417999	1	spring
17	0.010.2434.2	1	cup
18	0.010.3541.1	1	spring
19	04417996		shim mm 0.20
20	0.010.3541.2	1	plug
21	04417994	1	cover
22	0.010.3542.0	2	spring washer
23	0.010.2434.1	2	screw m 6x28
24	0.010.2438.1	1	cap
25	04418197	1	valve
26	04417998	1	circlip
27	04418191	1	screw
28	04418519	6	nut
29	04413341.4	1	tip
30	0.010.3539.0	3	rod
31	0.010.3542.1	1	plate

**DISTRIBUTOR PARTS**

04450750\_B

Fig.	P/n	QTY	Name
1	04450750	1	hydraulic control block
3	04428917	1	regulator
8	0.010.3529.2	1	gasket set
9	0.010.3139.0	2	cap
10	0.010.2440.1	1	circlip
11	0.000.0000.1		cannot be supplied
13	04418220	1	screw
15	04427656	1	screw
16	04417986		shim 0.3
16	04417987		shim 0.4
16	04417988		shim 0.8
16	2.3719.040.1	1	shoulder ring 0.5
17	04418218	1	spring
18	04418219	1	insert
19	0.010.3333.2	1	special oil seal 12x1.75
22	04418197	1	valve
24	01126909	8	screw m 4 x 8
25	0.010.2439.0	2	coil
26	04428919	1	solenoid valve
27	0.010.2439.1	1	cap
28	04419758	2	screw



**DISTRIBUTOR PARTS**

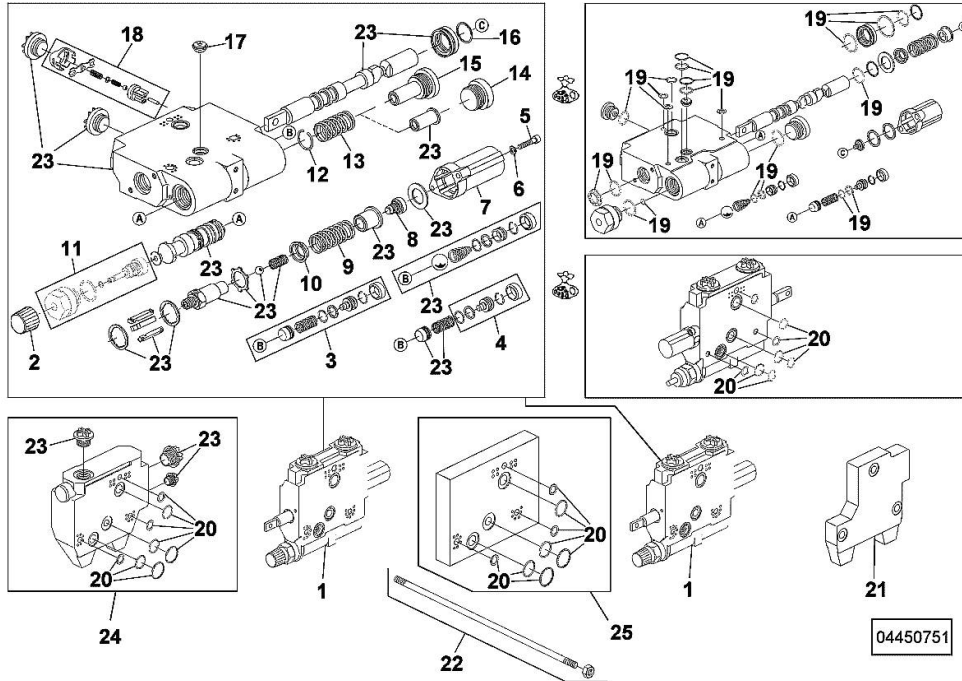
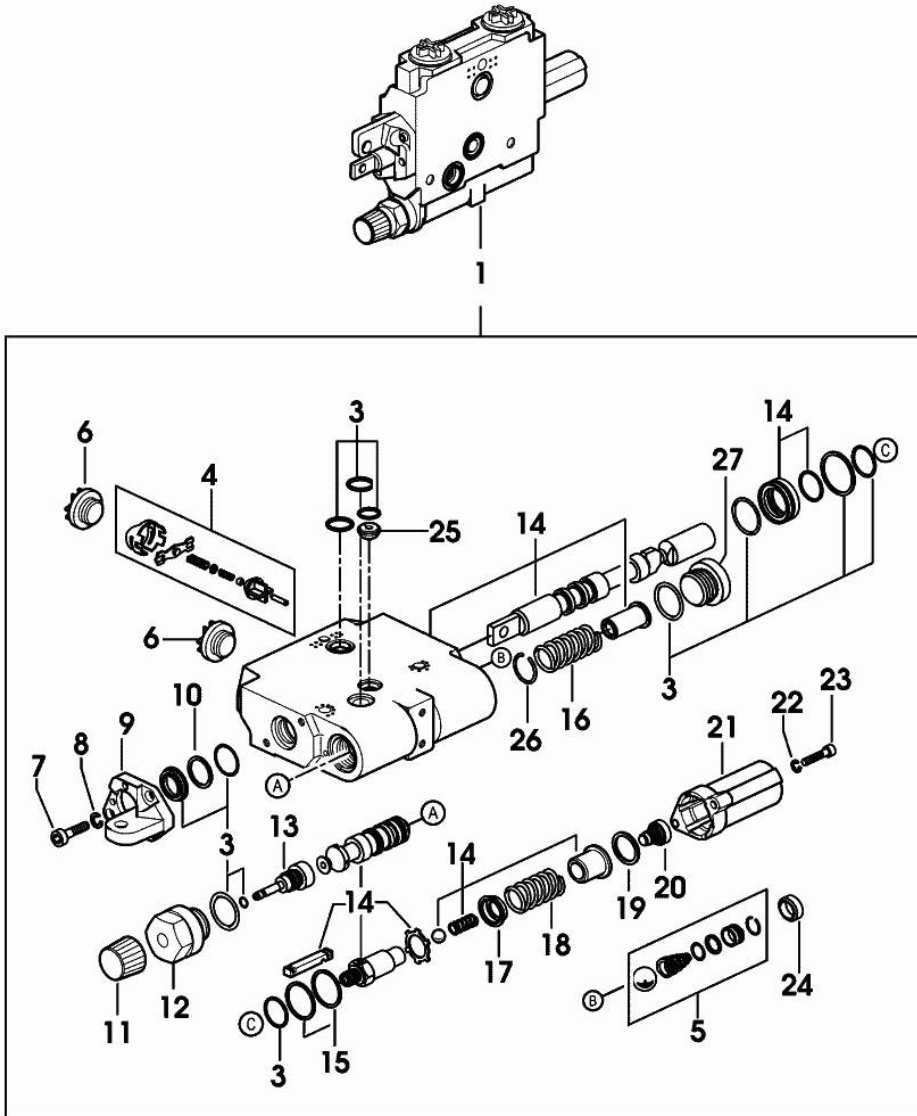


Fig.	P/n	QTY	Name
1	0.010.3669.2	2	spool valve
2	04418194	1	knob
3	0.900.2283.8	1	accessories
4	0.900.1262.7	1	accessories
5	0.010.2434.1	2	screw m 6x28
6	0.010.3542.0	2	spring washer
7	04417994	1	cover
8	0.010.3541.2	1	plug
9	0.010.3541.1	1	spring
10	0.010.2434.2	1	cup
11	0.900.2283.9	1	accessories
12	04417998	1	circlip
13	04417999	1	spring
14	04418191	1	screw
15	0.900.2284.0	1	plug
16	0.010.3552.0	1	shim
17	04418197	1	valve
18	0.010.3139.2	1	gasket set
19	0.010.3540.1	2	gasket set
20	0.900.2284.1	4	gasket set
21	04418531	1	tip
22	0.900.2284.2	3	rod
23	0.000.0000.1		cannot be supplied
24	0.010.3542.1	1	plate
25	0.010.3543.1	1	plate

**DISTRIBUTOR PARTS**

Fig.	P/n	QTY	Name
1	2.3729.480.0	1	spool valve
3	0.010.3540.1	1	gasket set
4	0.010.3139.2	1	gasket set
5	0.010.2435.0	1	accessories
6	0.010.3139.0	2	cap
7	0.010.3540.2	2	screw
8	0.010.3137.1	2	spring washer
9	04418196	1	support
10	04418195	1	shim
11	0.010.2437.2	1	knob
12	0.010.2437.1	1	plug
13	0.010.2437.0	1	register
14	0.000.0000.1		cannot be supplied
15	0.010.3541.0	2	ring
16	0.010.2435.2	1	spring
17	0.010.2434.2	1	cup
18	0.010.3541.1	1	spring
19	04417006		washer mm 0.20
20	0.010.3541.2	1	plug
21	0.010.2434.0	1	small cover
22	0.010.3542.0	2	spring washer
23	0.010.2434.1	2	screw m 6x28
24	0.010.2438.1	1	cap
25	0.010.2438.0	1	electronic unit
26	0.010.2435.1	1	circlip
27	0.010.2436.1	1	plug



2\_3729\_480\_0

**Buy Now**



Our support email:

[ebooklibonline@outlook.com](mailto:ebooklibonline@outlook.com)