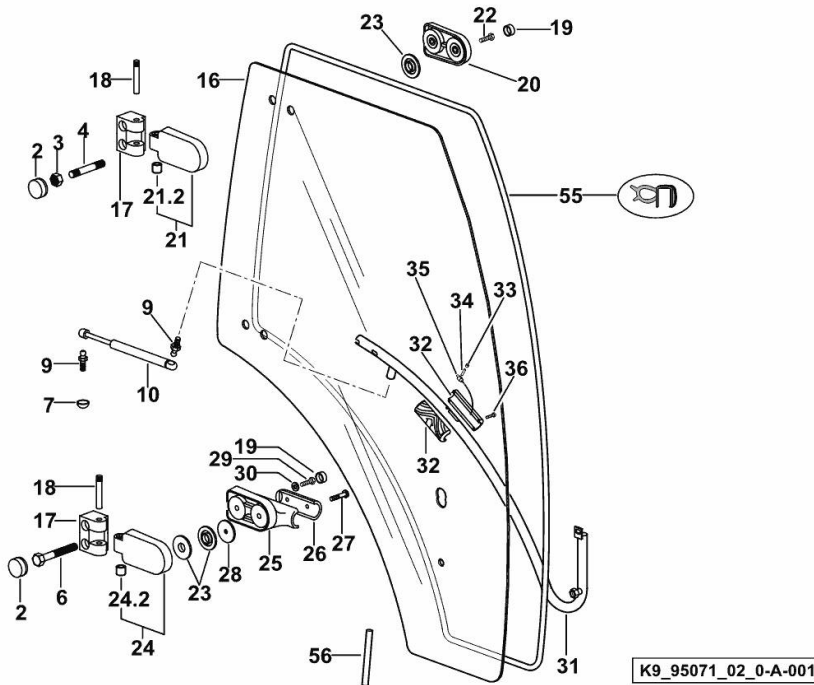


**CAB DOOR DX/RH/RE**

Fig.	P/n	QTY	Name
------	-----	-----	------

**Notes:**

[Agrotron 180.7 Profiline]



2	04426916	4	cap
3	2.1011.105.2	2	nut m 8 p.1.25
4	01125606	2	stud bolt m 8 p.1.25
6	2.0119.292.6	2	screw m8x45
7	01174042	1	cap
9	04399070	2	ball joint
10	04429617	1	shock absorber
16	04418952	1	glass dx/rh/re
17	04416522/10	2	hinge
18	04412819/20	2	pin
19	04426916	4	cap
20	04415415/10	1	plate
21	04416230.4/20	1	hinge
21.2	04414624	2	bushing
22	2.0114.209.2	2	screw m 8 x 25
23	04415424	8	disc 20x53x6.5
24	04424756.4/20	1	hinge dx/rh/re
24.2	04414624	2	bushing
25	04416243/10	1	hinge dx/rh/re
26	04416232/10	1	plate
27	04419372	2	screw m 8 x 40
28	04416225	2	washer 8.5x50x4
29	2.0114.211.2	2	screw m 8 x 30
30	04314757	2	washer
31	0.013.0763.4/10	1	handle dx/rh/re
32	04416216	2	grip
33	04416218	2	spacer
34	2.1651.415.2	1	pin 5 x 35
35	0.016.2059.3	1	rope
36	04413570	4	screw
55	04419141	1	gasket
56	01388794	0.8	parting 9x4,5

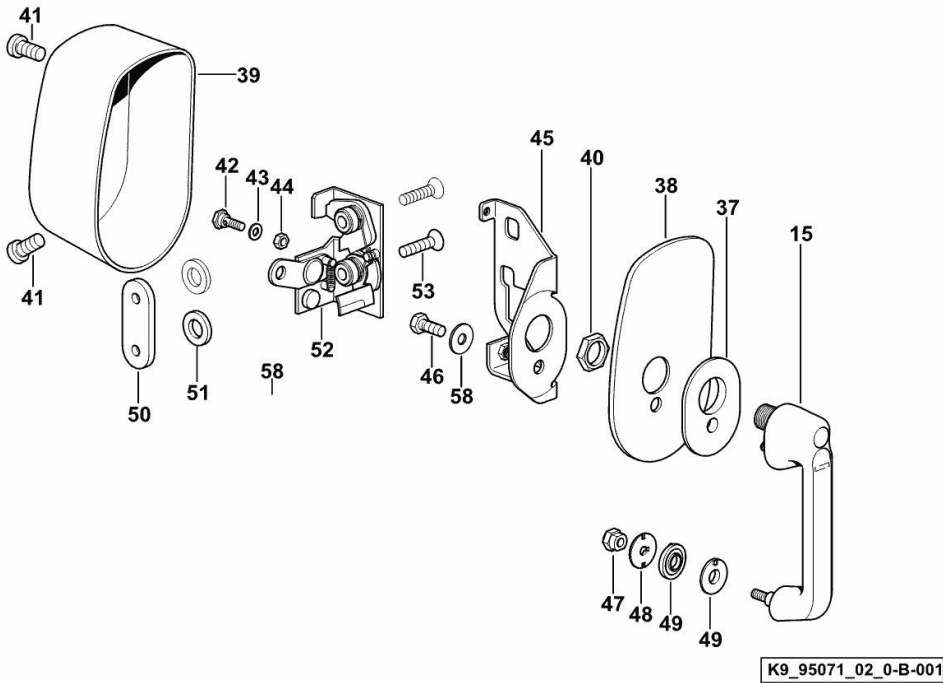
**DOOR HANDLE DX/RH/RE**

Fig.	P/n	QTY	Name
------	-----	-----	------

**Notes:**

[Agrotron 180.7 Profiline]

15	0.013.0217.4	1	handle ☞ 0.013.0217.4
37	04412845	1	stop
38	04413547	1	gasket
39	04438159	1	cover
40	04416537	1	nut m 28 x 1
41	04413811	2	screw m 6 p.1.0 x 16
42	04413581	1	screw
43	2.1310.002.2	1	flat washer 6.4x12.5
44	2.1011.103.2	1	nut m 6 p.1
45	04416201.4	1	support
46	2.0114.207.2	1	screw m 8 p.1.25 x 20
47	04412846	1	union nut
48	04413572	1	washer
49	04413571	2	disc
50	04412840	1	small plate
51	04412841/10	2	washer
52	04413582	1	lock
53	04413568	2	screw m 8 x 35
58	2.1312.004.2	1	washer 8x24x2

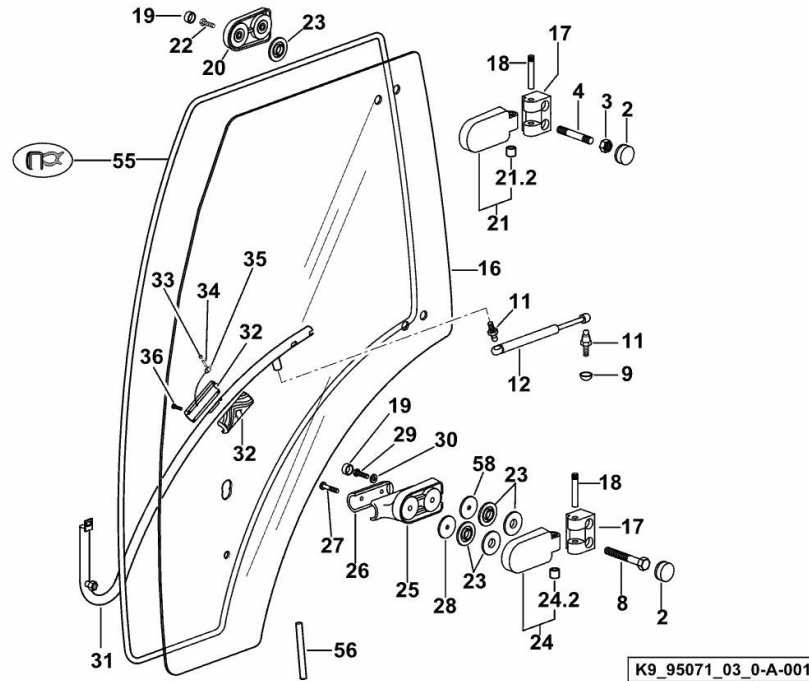


**CAB DOOR SX/LH/LI**

Fig.	P/n	QTY	Name
------	-----	-----	------

**Notes:**

[Agrotron 180.7 Profiline]



2	04426916	4	cap
3	2.1011.105.2	2	nut m 8 p.1.25
4	01125606	2	stud bolt m 8 p.1.25
8	2.0119.292.6	2	screw m8x45
9	01174042	1	cap
11	04399070	2	ball joint
12	04429617	1	shock absorber
16	04418951/10	1	glass sx/lh/li
17	04416522/10	2	hinge
18	04412819/20	2	pin
19	04426916	4	cap
20	04415415/10	1	plate
21	04416228.4/20	1	hinge
21.2	04414624	2	bushing
22	2.0114.209.2	2	screw m 8 x 25
23	04415424	8	disc 20x53x6.5
24	04424753.4/20	1	hinge sx/lh/li
24.2	04414624	2	bushing
25	04416244/10	1	plate sx/lh/li
26	04416232/10	1	plate
27	04419372	2	screw m 8 x 40
28	04416225	1	washer 8.5x50x4
29	2.0114.211.2	2	screw m 8 x 30
30	04314757	2	washer
31	0.013.0764.4/10	1	handle sx/lh/li
32	04416216	2	grip
33	04416218	2	spacer
34	2.1651.415.2	1	pin 5 x 35
35	0.016.2059.3	1	rope
36	04413570	4	screw
55	04419141	1	gasket
56	01388794	0.8	parting 9x4,5
58	0.017.6462.0	1	washer

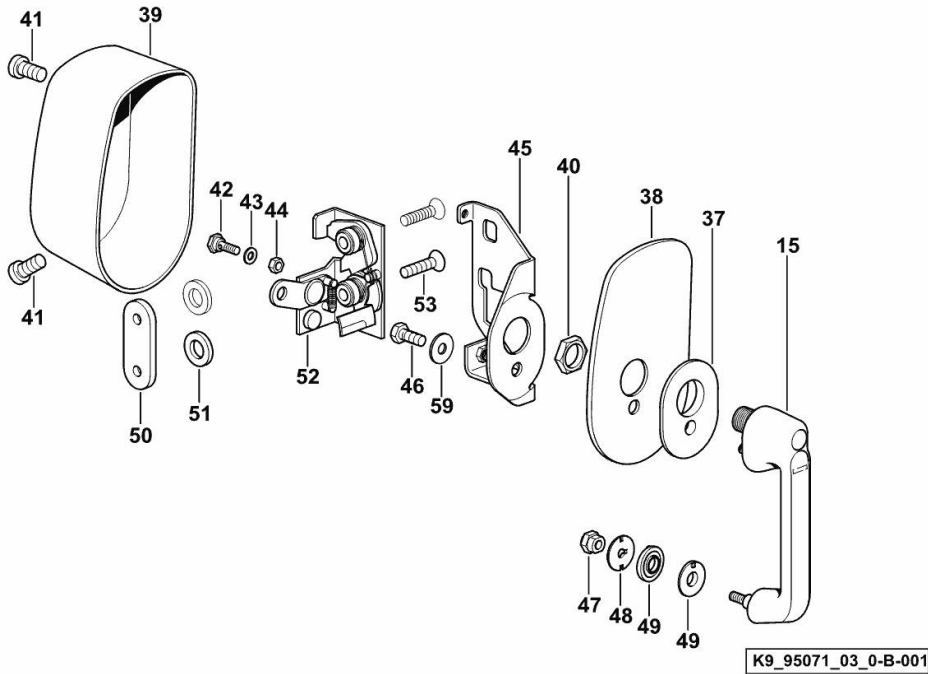
**DOOR HANDLE SX/LH/LI**

Fig.	P/n	QTY	Name
------	-----	-----	------

**Notes:**

[Agrotron 180.7 Profiline]

15	0.013.0217.4	1	handle ☞ 0.013.0217.4
37	04412845	1	stop
38	04413565	1	gasket
39	04438158	1	cover
40	04416537	1	nut m 28 x 1
41	04413811	2	screw m 6 p.1.0 x 16
42	04413581	1	screw
43	2.1310.002.2	1	flat washer 6.4x12.5
44	2.1011.103.2	1	nut m 6 p.1
45	04416206.4	1	bracket sx/lh/li
46	2.0114.207.2	1	screw m 8 p.1.25 x 20
47	04412846	1	union nut
48	04413572	1	washer
49	04413571	2	disc
50	04412840	1	small plate
51	04412841/10	2	washer
52	04419673	1	lock sx/lh/li
53	04413568	2	screw m 8 x 35
59	2.1312.004.2	1	washer 8x24x2



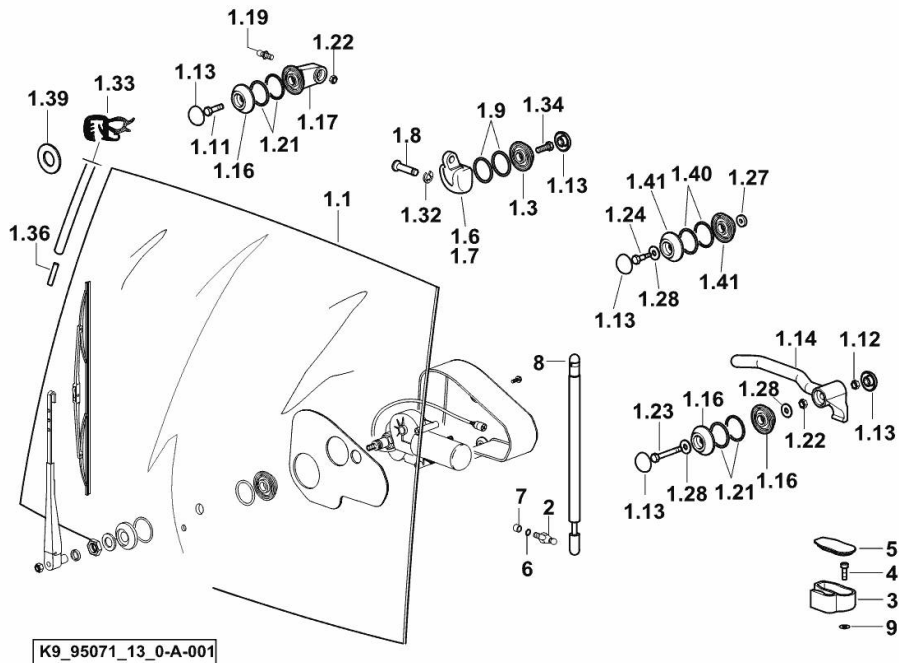
**OPENABLE WINDSCREEN**

Fig.	P/n	QTY	Name
------	-----	-----	------

**Notes:**

[Agrotron 180.7 Profiline]

1.1	04418946	1	tempered glass
1.3	04429423	4	washer
1.6	04411248/10	1	hinge sx/lh/li
1.7	04411247/10	1	hinge dx/rh/re
1.8	04413797	2	pin
1.9	2.1530.078.0	4	oil seal 29.74x3.53
1.11	2.0112.217.2	2	screw m 8 p.1.25 x 45
1.12	01136452	1	nut vm 8 d980
1.13	04413793	7	cap
1.14	04412812	1	knob
1.16	04412814	2	washer
1.17	0.010.7738.0/10	2	support
1.19	04399070	2	ball joint
1.21	01166059	4	oil seal 40x3
1.22	2.1120.105.2	4	self-locking nut m 8 p.1.25
1.23	01144712	1	screw
1.24	04413809	1	screw
1.27	04413808	1	washer 6.5x20x5
1.28	2.1310.004.2	6	flat washer 8.4x17
1.32	01155120	2	washer
1.33	0.010.5147.0	1	gasket
1.34	04438410	2	screw m 8 x 25
1.36	01388794	1	parting 9x4,5
1.39	2.1499.197.0	4	gasket 16x44x3
1.40	01166042	2	ring
1.41	04411716	2	washer
2	04418838	2	ball joint
3	04412815	1	support
4	2.0362.207.3	2	screw m 6 x 20
5	04413789	1	cap
6	2.1310.007.2	2	flat washer 13 x 24
7	04345439	2	spacer
8	0.013.0059.4	2	shock absorber
9	04413808	2	washer 6.5x20x5



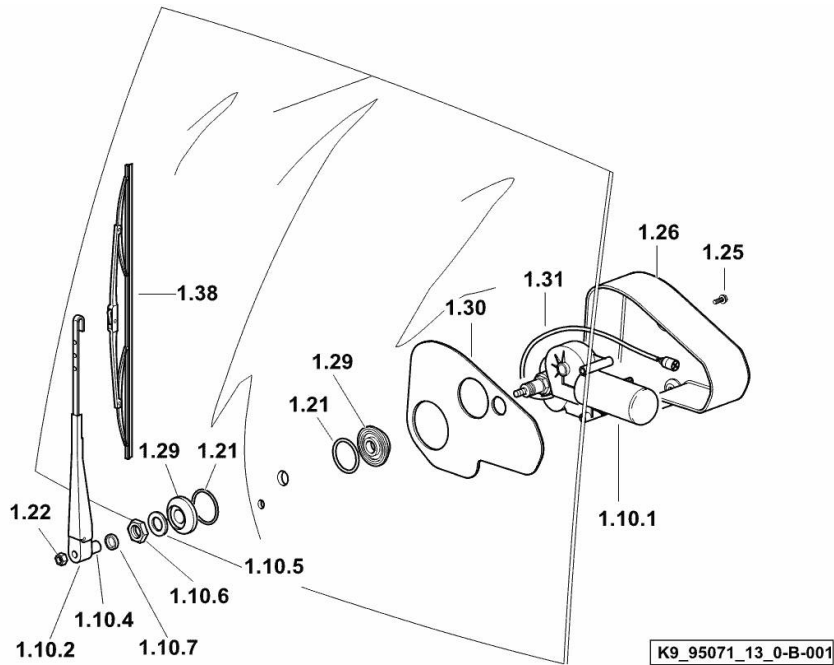
**WINDSCREEN WIPER FOR OPENABLE WINDSCREEN**

Fig.	P/n	QTY	Name
------	-----	-----	------

**Notes:**

[Agrotron 180.7 Profiline]

1.10.1	04413192	1	wiper motor
1.10.2	04413193	1	arm
1.10.4	04413208	2	bushing
1.10.5	04414586	4	spacer
1.10.6	04413207	1	nut
1.10.7	04413210	1	cap
1.21	01166059	4	oil seal 40x3
1.22	2.1120.105.2	4	self-locking nut m 8 p.1.25
1.25	2.0330.406.2	2	screw m 6 p.1.0 x 16
1.26	04412044	1	cover
1.29	04413223	2	washer
1.30	04414610	1	gasket
1.31	04412045	1	electrical system
1.38	04413194	1	wiper blade

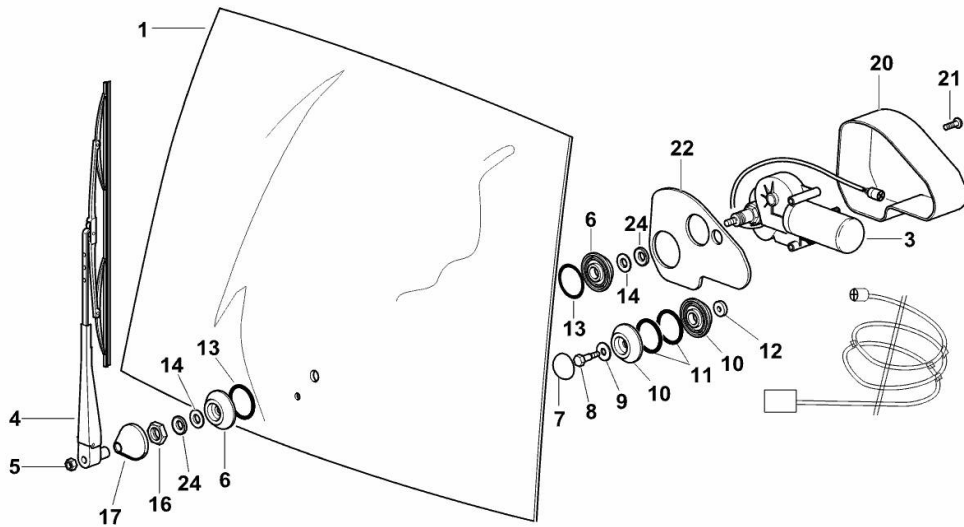


**FIXED SCREEN WITH WIPER**

Fig.	P/n	QTY	Name
------	-----	-----	------

**Notes:**

[Agrotron 180.7 Profiline]



K9\_A0171\_11\_0-A-002

1	0.010.5209.0/20	1	windshield
3	04413192	1	wiper motor
4	0.011.5529.4	1	windscreen wiper ☞ 0.011.5529.4
5	2.1011.105.2	1	nut m 8 p.1.25
6	04413223	2	washer
7	04413793	1	cap
8	04413809	1	screw
9	2.1312.004.2	1	washer 8x24x2
10	04429423	2	washer
11	2.1530.078.0	2	oil seal 29.74x3.53
12	04413808	1	washer 6.5x20x5
13	2.1530.103.0	2	oil seal 39.69x3.53
14	04414586	2	spacer
16	2.1019.135.3	1	nut m16x1
17	0.010.4983.0	1	rubber plug
20	04412044	1	cover
21	2.0330.406.2	2	screw m 6 p.1.0 x 16
22	04414610	1	gasket
24	04413208	1	bushing

**Buy Now**



Our support email:

[ebooklibonline@outlook.com](mailto:ebooklibonline@outlook.com)