

Section: ENGINE

**INTERCOOLER**

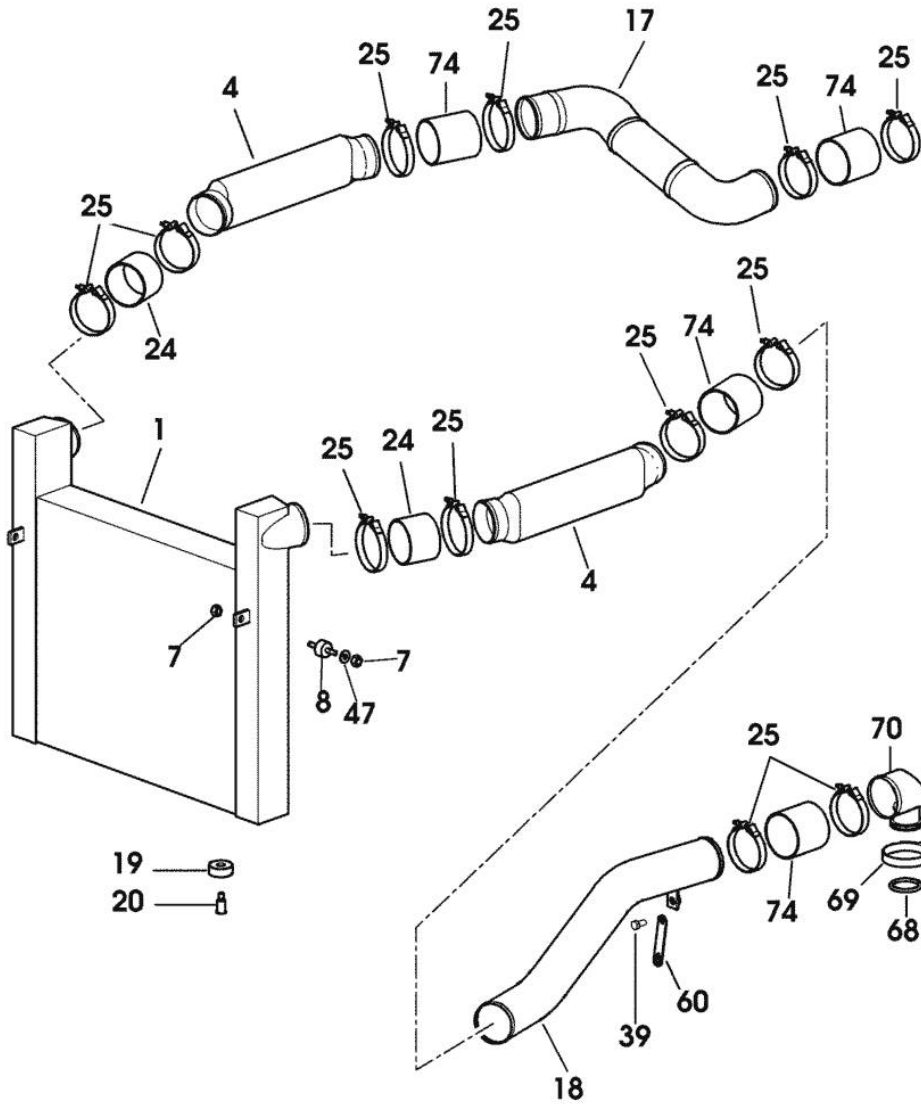


Fig.	P/n	QTY	Name
------	-----	-----	------

Notes:  
[Agrotron 210]

1	04451111	1	radiator
4	04435858	2	tube
7	01136452	4	nut vm 8 d980
8	04425319	2	stop
17	04451113	1	sheath
18	04432115/10	1	sheath
19	0.007.0675.0	2	silent-block
20	04431909	2	pin
24	01179833	2	rubber sleeve 80x87x60
25	04450941	12	fascia 85/91
39	01112407	1	screw m 10 x 20, d933
47	04432821	2	washer
60	04432129	1	support
68	01180295	1	gasket
69	01173940	1	clamp Ø 70/90
70	04209073	1	sleeve
74	04434799	4	rubber sleeve 80x87x90

9\_A0119\_00\_0\_0

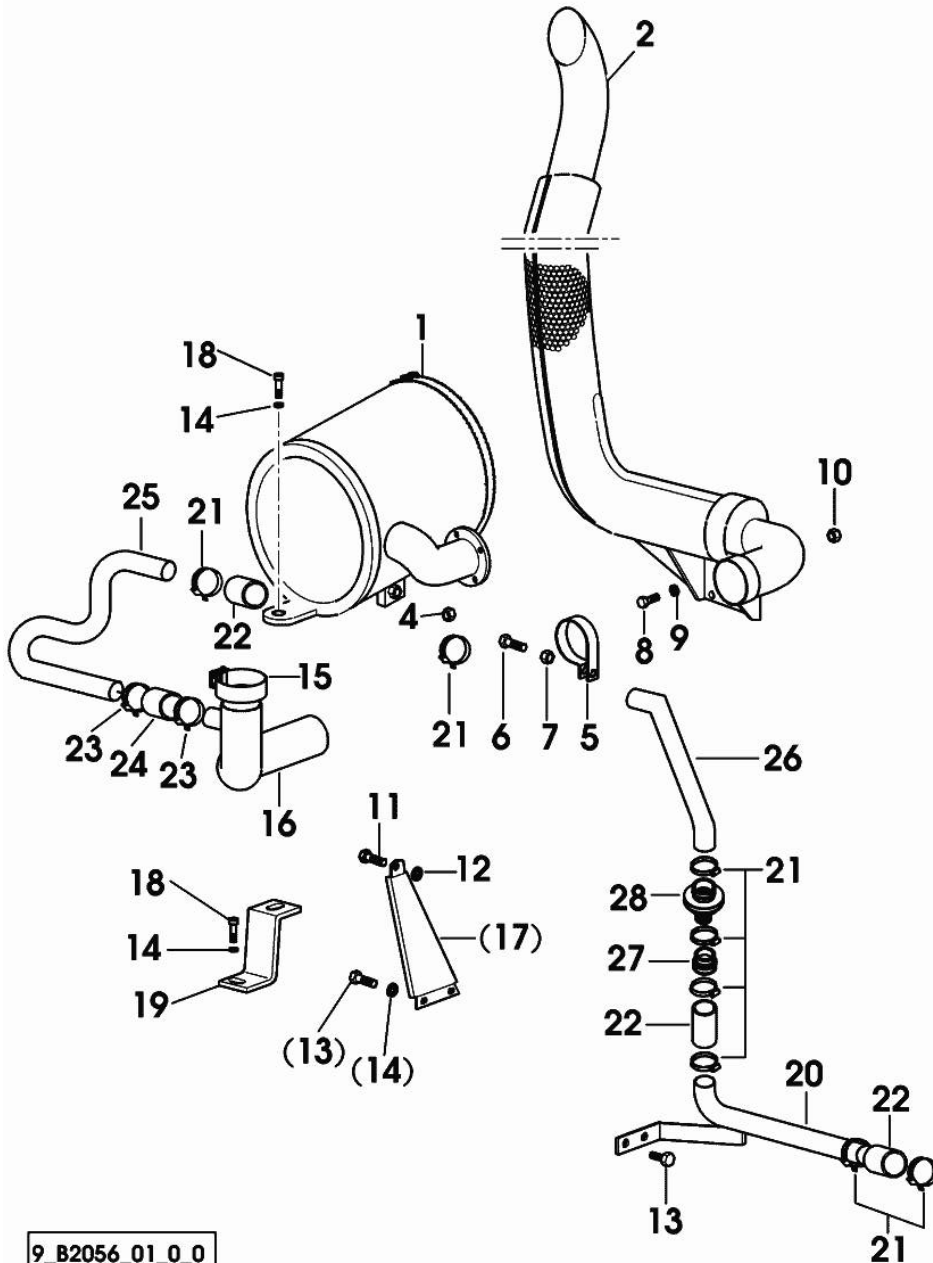
Section: ENGINE

**EXHAUST SILENCER**

Fig.	P/n	QTY	Name
------	-----	-----	------

**Notes:**

[Agrotron 210]



1	04436002	1	silencer
2	04431284.4/10	1	exhaust pipe
4	01144673	4	nut
5	04431301	1	bracket
6	01112456	1	screw m 10 x 50
7	01102659	1	nut m 10, d934
8	01112538	3	screw m 12 x 35, d933
9	01174738	3	flat washer 12.5x26x6
10	01112858	1	nut m 12, d934
11	01112407	1	screw m 10 x 20, d933
12	01140501	1	washer 10.5
13	01112307	2	screw m 8 p.1.25 x 15, d933 1096 <- X Agrotron 210 3011 <- X Agrotron 235
14	01151019	4	washer 8.4 1096 <- X Agrotron 210 3011 <- X Agrotron 235
15	04431273	1	bracket
16	04432580	1	exhaust pipe
17	04427269	1	console 1096 <- X Agrotron 210 3011 <- X Agrotron 235
18	01126448	2	screw
19	04432014	1	console
20	04435378/10	1	tube
21	01173971	10	fascia Ø 40/60
22	04432015	3	rubber sleeve
23	01173969	2	clamp 32-50
24	04432016	1	rubber sleeve
25	04432579	1	tube
26	04435379	1	tube
27	04450656	1	adapter
28	04450649	1	adapter

9\_B2056\_01\_0\_0

**PLUG**

Fig.	P/n	QTY	Name
------	-----	-----	------

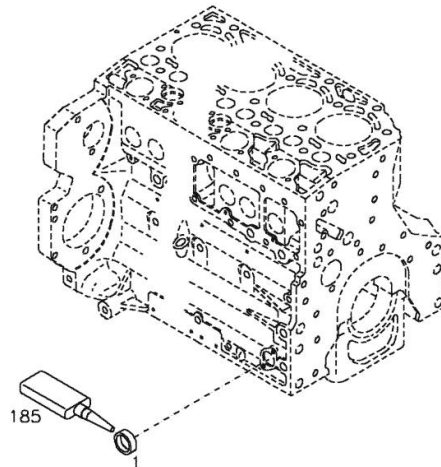
**Notes:**

[Agrotron 210]

**Engine serial number:**

816464 816465 816466 816467 816468 816469 816470 816471 816472 816473 816474 816475 816476 816477 816478  
 822027 822028 822029 822030 822031 851583 851584 851585 851586 851587 851588 851589 851590 851591 851592  
 860180 860181 860182 860183 860184 860185 860186 860187 860188 860189 864795 864796 864797 864798 864799  
 864800 864801 864802 864803 864804 864805 864806 864807 864808 864809 867821 867822 867823 867824 867825  
 867826 867827 867828 867880 867881 867882 867883 867884 867885 867886 875975 875976 875977 875978 875979  
 875980 875981 875982 875983 875984 883442 883443 883444 883445 883446 883447 883448 883449 883450 883451  
 889463 889464 889465 889466 889467 890200 890201 890202 890203 890204 896310 896311 896312 896313 896314  
 896315 939181 939182 939183 939184 939185 939617 939618 939619 939620 939621 939622 939623 939624 939625  
 939626 945151 952435 952436 952437 952438 952439 953583 953584 953585 953586 953587 953588 953589 953590  
 953591 953592 953593 953594 953595 968826 968827 968828 968829 968830 968831 968832 977600 1007060  
 1007061 1007062 1014753 1024747 1024748 1026606 1026607 1029856 1029857 1029858 1030623 1030624 1030625  
 1039991 1039992 1039993 1039994 1039995 1039996 1039997 1039998 1039999 1040000

001 ©



1	01179634	1	plug H 2860 -A36-ST-FE/ZNPHR
185	01016127	1	sealing compound ml. 50 H 699 -DEUTZDW72-50ML

Section: ENGINE  
**FASTENINGS**

Fig.	P/n	QTY	Name
------	-----	-----	------

**Notes:**

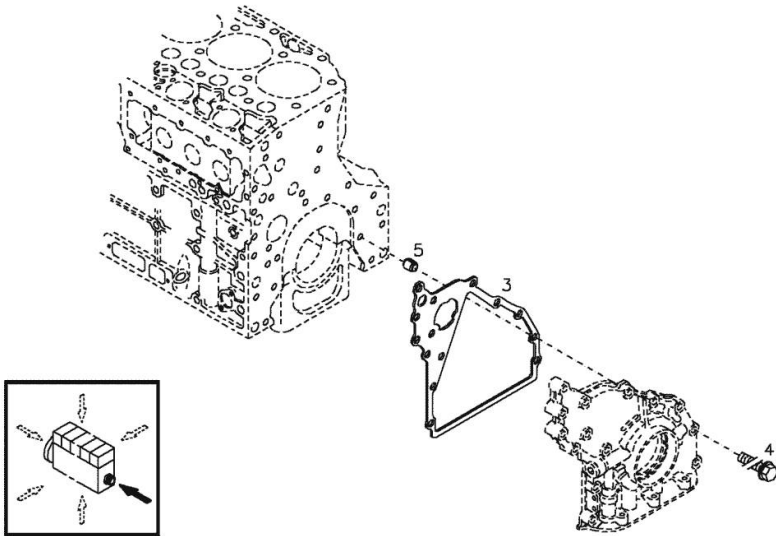
[Agrotron 210]

**Engine serial number:**

816464 816465 816466 816467 816468 816469 816470 816471 816472 816473 816474 816475 816476 816477 816478  
 822027 822028 822029 822030 822031 851583 851584 851585 851586 851587 851588 851589 851590 851591 851592  
 860180 860181 860182 860183 860184 860185 860186 860187 860188 860189 864795 864796 864797 864798 864799  
 864800 864801 864802 864803 864804 864805 864806 864807 864808 864809 867821 867822 867823 867824 867825  
 867826 867827 867828 867880 867881 867882 867883 867884 867885 867886 875975 875976 875977 875978 875979  
 875980 875981 875982 875983 875984 883442 883443 883444 883445 883446 883447 883448 883449 883450 883451  
 889463 889464 889465 889466 889467 890200 890201 890202 890203 890204 896310 896311 896312 896313 896314  
 896315 939181 939182 939183 939184 939185 939617 939618 939619 939620 939621 939622 939623 939624 939625  
 939626 945151 952435 952436 952437 952438 952439 953583 953584 953585 953586 953587 953588 953589 953590  
 953591 953592 953593 953594 953595 968826 968827 968828 968829 968830 968831 968832 977600 1007060  
 1007061 1007062 1014753 1024747 1024748 1026606 1026607 1029856 1029857 1029858 1030623 1030624 1030625  
 1039991 1039992 1039993 1039994 1039995 1039996 1039997 1039998 1039999 1040000

001 ©

3	04204450	1	gasket
4	01143362	14	screw
5	01181406	1	bushing



**OIL PRESSUR.SWITCH**

Fig.	P/n	QTY	Name
------	-----	-----	------

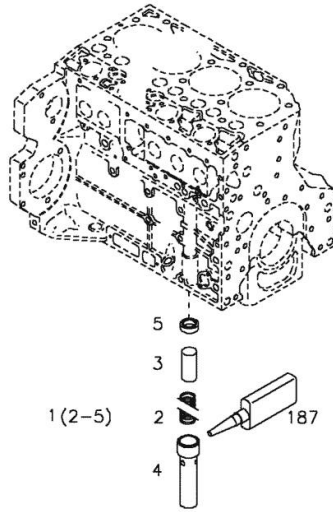
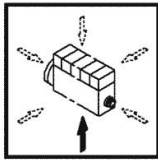
**Notes:**

[Agrotron 210]

**Engine serial number:**

816464 816465 816466 816467 816468 816469 816470 816471 816472 816473 816474 816475 816476 816477 816478  
 822027 822028 822029 822030 822031 851583 851584 851585 851586 851587 851588 851589 851590 851591 851592  
 860180 860181 860182 860183 860184 860185 860186 860187 860188 860189 864795 864796 864797 864798 864799  
 864800 864801 864802 864803 864804 864805 864806 864807 864808 864809 867821 867822 867823 867824 867825  
 867826 867827 867828 867880 867881 867882 867883 867884 867885 867886 875975 875976 875977 875978 875979  
 875980 875981 875982 875983 875984 883442 883443 883444 883445 883446 883447 883448 883449 883450 883451  
 889463 889464 889465 889466 889467 890200 890201 890202 890203 890204 896310 896311 896312 896313 896314  
 896315 939181 939182 939183 939184 939185 939617 939618 939619 939620 939621 939622 939623 939624 939625  
 939626 945151 952435 952436 952437 952438 952439 953583 953584 953585 953586 953587 953588 953589 953590  
 953591 953592 953593 953594 953595 968826 968827 968828 968829 968830 968831 968832 977600 1007060  
 1007061 1007062 1014753 1024747 1024748 1026606 1026607 1029856 1029857 1029858 1030623 1030624 1030625  
 1039991 1039992 1039993 1039994 1039995 1039996 1039997 1039998 1039999 1040000

002 ©



1	04207119	1	valve WITH ITEM .... (2-5)
2	04200782	1	spring
3	04207120	1	piston
4	04207121	1	spacer
5	04201794	1	ring
187	01016123	1	small plate

**OIL FILLER NECK**

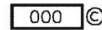
Fig.	P/n	QTY	Name
------	-----	-----	------

**Notes:**

[Agrotron 210]

**Engine serial number:**

816464 816465 816466 816467 816468 816469 816470 816471 816472 816473 816474 816475 816476 816477 816478  
 822027 822028 822029 822030 822031 851583 851584 851585 851586 851587 851588 851589 851590 851591 851592  
 860180 860181 860182 860183 860184 860185 860186 860187 860188 860189 864795 864796 864797 864798 864799  
 864800 864801 864802 864803 864804 864805 864806 864807 864808 864809 867821 867822 867823 867824 867825  
 867826 867827 867828 867880 867881 867882 867883 867884 867885 867886 875975 875976 875977 875978 875979  
 875980 875981 875982 875983 875984 883442 883443 883444 883445 883446 883447 883448 883449 883450 883451  
 889463 889464 889465 889466 889467 890200 890201 890202 890203 890204 896310 896311 896312 896313 896314  
 896315 939181 939182 939183 939184 939185 939617 939618 939619 939620 939621 939622 939623 939624 939625  
 939626 945151 952435 952436 952437 952438 952439 953583 953584 953585 953586 953587 953588 953589 953590  
 953591 953592 953593 953594 953595 968826 968827 968828 968829 968830 968831 968832 977600 1007060  
 1007061 1007062 1014753 1024747 1024748 1026606 1026607 1029856 1029857 1029858 1030623 1030624 1030625  
 1039991 1039992 1039993 1039994 1039995 1039996 1039997 1039998 1039999 1040000



1	04207099	1	tube
2	01178421	1	gasket
3	01181433	2	screw

**CRANKCASE BREATHER**

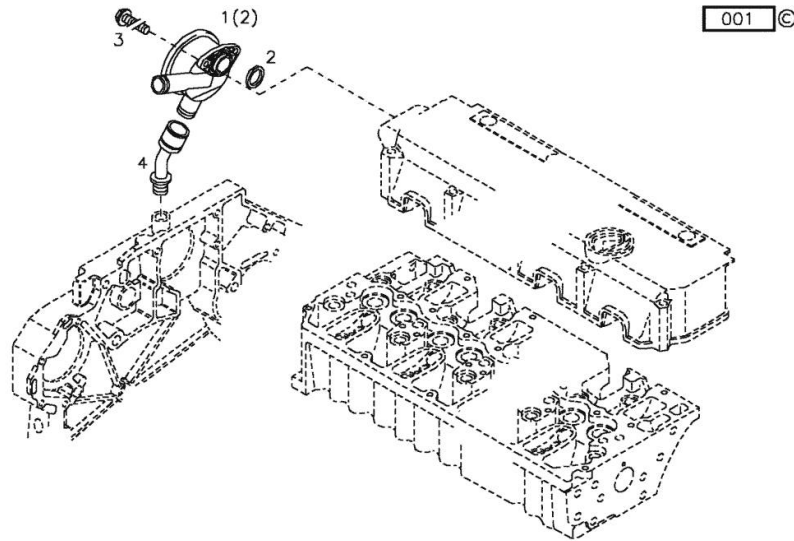
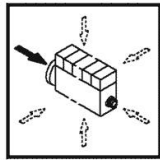
Fig.	P/n	QTY	Name
------	-----	-----	------

**Notes:**

[Agrotрон 210]

**Engine serial number:**

816464 816465 816466 816467 816468 816469 816470 816471 816472 816473 816474 816475 816476 816477 816478  
 822027 822028 822029 822030 822031 851583 851584 851585 851586 851587 851588 851589 851590 851591 851592  
 860180 860181 860182 860183 860184 860185 860186 860187 860188 860189 864795 864796 864797 864798 864799  
 864800 864801 864802 864803 864804 864805 864806 864807 864808 864809 867821 867822 867823 867824 867825  
 867826 867827 867828 867880 867881 867882 867883 867884 867885 867886 875975 875976 875977 875978 875979  
 875980 875981 875982 875983 875984 883442 883443 883444 883445 883446 883447 883448 883449 883450 883451  
 889463 889464 889465 889466 889467 890200 890201 890202 890203 890204 896310 896311 896312 896313 896314  
 896315 939181 939182 939183 939184 939185 939617 939618 939619 939620 939621 939622 939623 939624 939625  
 939626 945151 952435 952436 952437 952438 952439 953583 953584 953585 953586 953587 953588 953589 953590  
 953591 953592 953593 953594 953595 968826 968827 968828 968829 968830 968831 968832 977600 1007060  
 1007061 1007062 1014753 1024747 1024748 1026606 1026607 1029856 1029857 1029858 1030623 1030624 1030625  
 1039991 1039992 1039993 1039994 1039995 1039996 1039997 1039998 1039999 1040000



1	04207651	1	valve WITH ITEM .... (2)
2	04207649	1	ring
3	01180218	2	screw
4	04207290	1	piping

**Buy Now**



Our support email:

[ebooklibonline@outlook.com](mailto:ebooklibonline@outlook.com)