

Section: ENGINE

CRANK CASE

Fig.	P/n	QTY	Name
------	-----	-----	------

Notes:

[AGROTRON 6.00]

1	04801850	1	crankcase WITH ITEM (2-8,10-18)
2	04156058	14	screw
3	04160764	14	bushing
4	01110423	1	screw DIN 000908-M14X1,5-ST-ZNPHRF
5	01118693	3	gasket 14x20 DIN 007603-A 14 X 20 -CU
6	01180890	1	screw H 002812-906-M30X1,5-ST-A4C-P RE80
7	01180906	1	screw H 002812-906-M22X1,5-ST-A4C-P RE80
8	01180891	2	screw H 002812-906-M14X1,5-ST-A4C-P RE80
10	04800319	6	bushing
11	04800318	1	bushing
12	01179635	9	plug H 002860-A45-ST-FE/ZNPHR
13	01179634	6	plug H 002860-A36-ST-FE/ZNPHR
14	01118960	2	plug am14x1,5 DIN 007604-AM14X1,5 -ST-ZNPHR F
15	04800855	1	sleeve
16	01167270	2	bush H 002341-B15X18
17	04800854	1	sleeve
18	01165790	1	plug m 22 x 1,5 H 000710-M22X1,5
185	01016127		sealing compound ml. 50 H 000699-DEUTZ DW 72- 50 ML

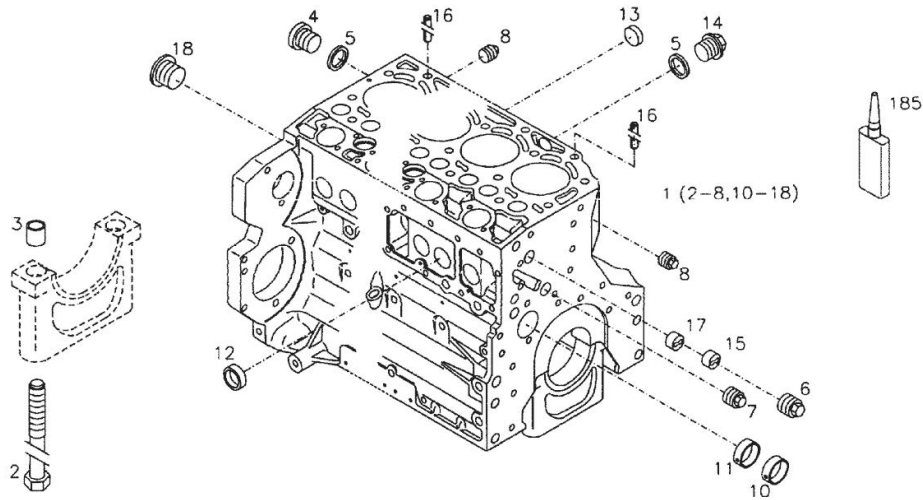


Kurbelgehäuse
Crankcase
Carter
Bloque de cilindros

Referenznr.: 05070407

0130 -01- 0507 1735

001



Section: ENGINE

CRANK CASE

Fig.	P/n	QTY	Name
------	-----	-----	------

Notes:

[AGROTRON 6.00]

1	04803339	1	chassis frame WITH ITEM (2-8,10-15,17,18)
2	04156058	14	screw
3	04160764	14	bushing
4	01110423	1	screw DIN 000908-M14X1,5-ST-ZNPHRF
5	01118693	3	gasket 14x20 DIN 007603-A 14 X 20 -CU
6	01180890	1	screw H 002812-906-M30X1,5-ST-A4C-P RE80
7	01180906	1	screw H 002812-906-M22X1,5-ST-A4C-P RE80
8	01180891	2	screw H 002812-906-M14X1,5-ST-A4C-P RE80
10	04800319	6	bushing
11	04800318	1	bushing
12	01179635	9	plug H 002860-A45-ST-FE/ZNPHR
13	01179634	6	plug H 002860-A36-ST-FE/ZNPHR
14	01118960	2	plug am14x1,5 DIN 007604-AM14X1,5 -ST-ZNPHR F
15	04800855	1	sleeve
17	04800854	1	sleeve
18	01165790	1	plug m 22 x 1,5 H 000710-M22X1,5
185	01016127		sealing compound ml. 50 H 000699-DEUTZ DW 72- 50 ML

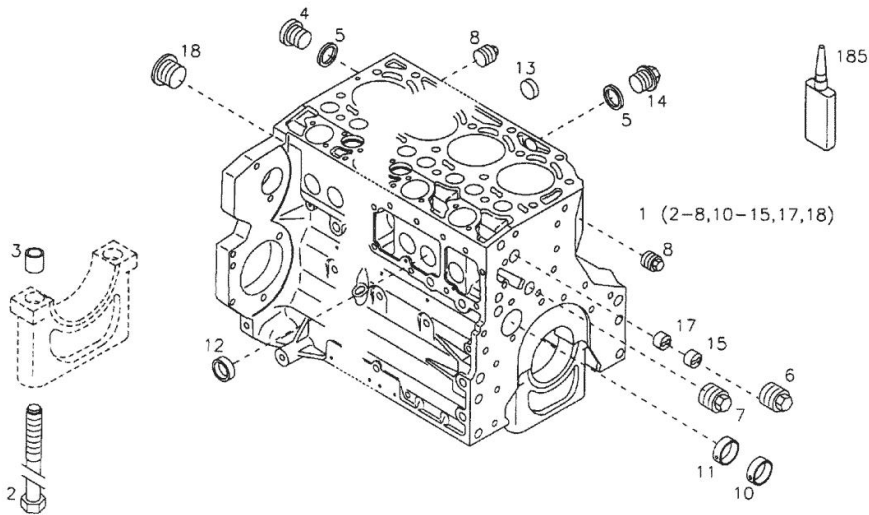


Kurbelgehäuse
Crankcase
Carter
Bloque de cilindros

Referenznr.:

0130 -01- 0507 2472

000



Section: ENGINE

OIL PRESSUR.SWITCH

Fig.	P/n	QTY	Name
------	-----	-----	------

Notes:

[AGROTRON 6.00]

1	04801622	1	valve WITH ITEM (2-5)
2	04800708	1	spring
3	04801623	1	piston
4	04801624	1	spacer
5	04800793	1	ring
187	01016123		small plate H 000699-DEUTZ DW 71- 50 ML

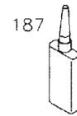
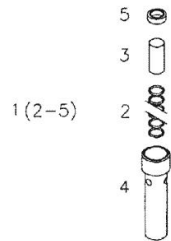
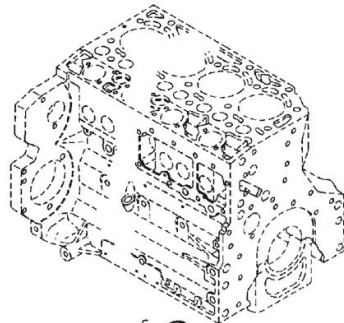


Druckhalteventil
Pressurestat
Clapet de retenue
Valvula de retención

Referenznr.: 05070364

0130 -01- 0507 1054

001



Section: ENGINE

PISTON COOL.NOZZLE

Fig.	P/n	QTY	Name
------	-----	-----	------

Notes:

[AGROTRON 6.00]

1	04801088	1	sprayer nozzle
---	----------	---	----------------

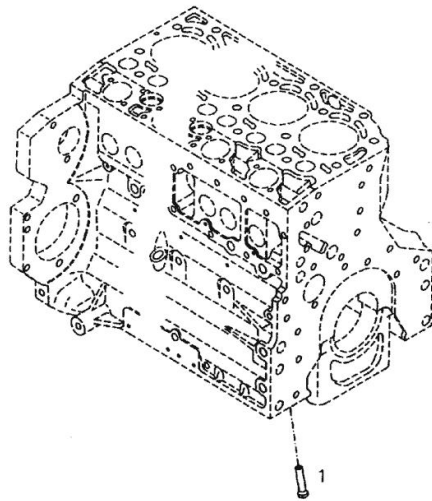


Kolbenkühlöse
 Piston cooling nozzle
 Gicleur de refroidissement de piston
 Tobero de refrigeration de piston

Referenznr.:

0130 -01- 0507 0148

000



Section: ENGINE

CRANKCASE VENT

Fig.	P/n	QTY	Name
------	-----	-----	------

Notes:

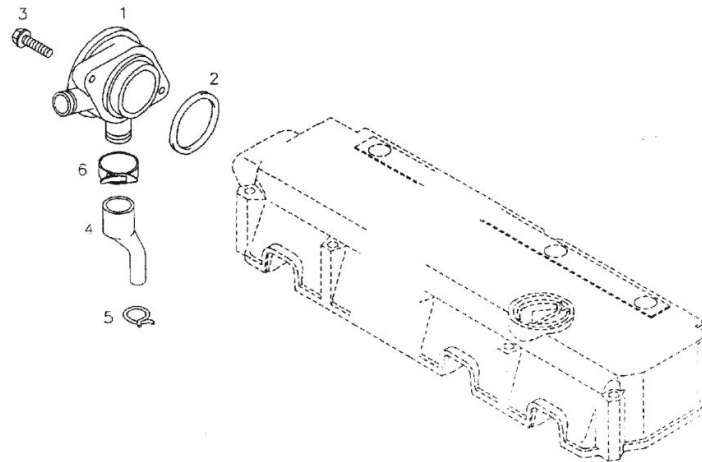
[AGROTRON 6.00]

1	04800433	1	valve
2	01171584	1	ring H 002927- 52 X 5 -FPM-1-70
3	01179193	2	screw H 002008-F-M 6 X 30- 10.9-A4C
4	04800886	1	rubber sleeve
5	01166476	1	clamp H 000735-SK 14
6	01178750	1	clamp H 003461-D29 -FED.ST



Kurbelgehäuseentlüftung
Crankcase breather
Reniflard
Desaireac. bloque

0130 -01- 0507 0052



Section: ENGINE

CRANKCASE VENT

Fig.	P/n	QTY	Name
------	-----	-----	------

Notes:

[AGROTRON 6.00]

1	04800975	1	valve WITH ITEM (2)
2	04801522	1	ring
3	01179292	2	screw H 002008-F-M 6 X 20- 10.9-A4C
4	04801887	1	rubber sleeve

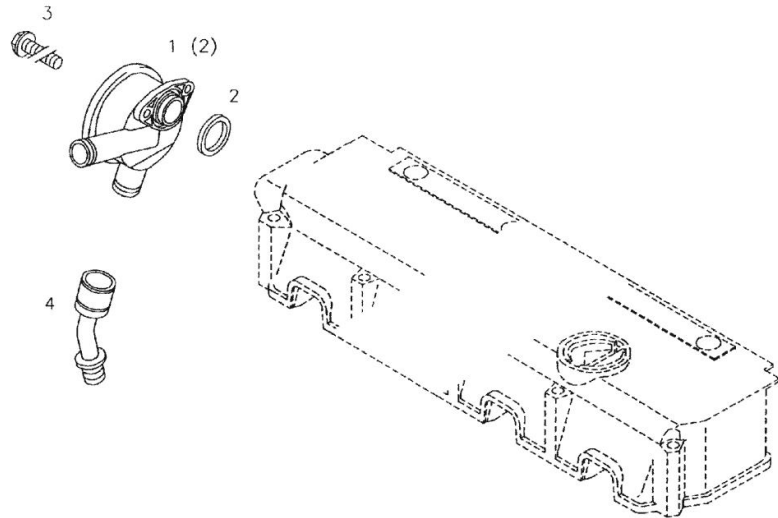


Kurbelgehäuseentlüftung
Crankcase breather
Reniflard
Desaireación de bloque

Referenznr.:

0130 -01- 0507 1876

001



Section: ENGINE

BREATHER HOSE

Fig.	P/n	QTY	Name
------	-----	-----	------

Notes:

[AGROTRON 6.00]

1	04800551	1	flexible hose
2	01178750	3	clamp H 003461-D29 -FED.ST

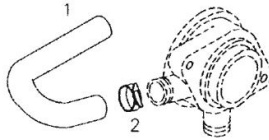


Entlüftungsschlauch
Bleeding tube
Tube de la désaération
Manguera de desaireación

Referenznr.: 05070637

0130 -01- 0507 1689

001



Buy Now



Our support email:

ebooklibonline@outlook.com