

**AIR DUCT**

Fig.	P/n	QTY	Name
------	-----	-----	------

Notes:  
[AGROTRON 80]

1	04418903	1	panel
2	01167432	2	sleeve H 002928-E 6 X10 X12 -GI DEUT Z 1
3	01122070	1	split pin 2 x 20 DIN 000094- 2 X 20-ST-A4C
4	04418904	1	stop
6	04418901	1	panel
7	04418101	1	manifold
8	04418907	1	gasket
9	04418742	1	gasket
34	04418900	1	stop
35	04418109	1	gasket
36	01171763	4	screw m 8 p.1.25 x 20 H 002094-AM 8X20
37	01151019	4	washer 8.4 DIN 000125- 8,4-200HV
38	04418905	1	knob

**DEUTZ FAHR**  
LUFTKANAL  
AIR DUCT  
CANAL D' AIR  
CONDUCTO DE AIRE

2005-85 0504 7654

4.70-6.45, 6.01

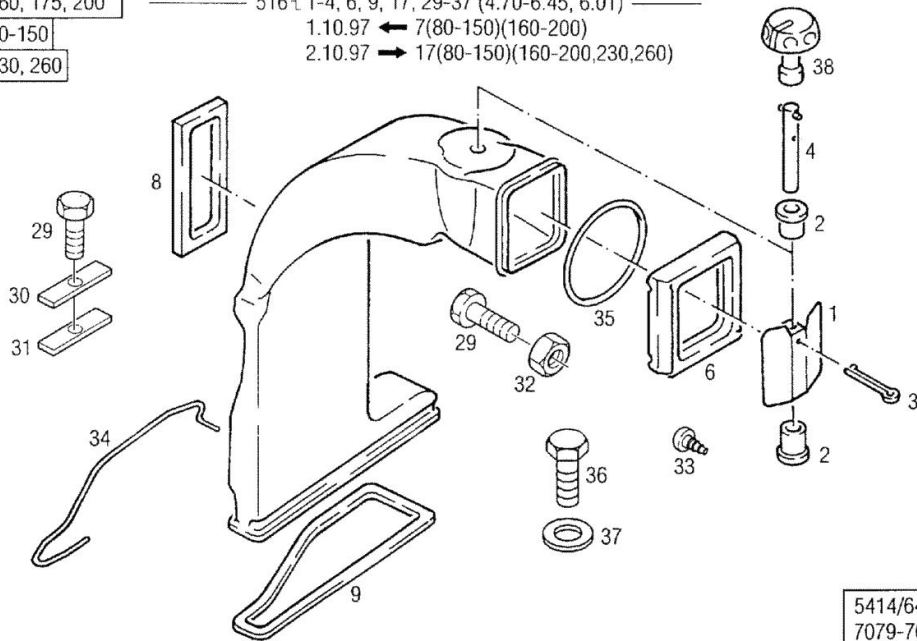
160, 175, 200

80-150

230, 260

516 [ 1-4, 6, 9, 17, 29-37 (4.70-6.45, 6.01) ]  
1.10.97 ← 7(80-150)(160-200)  
2.10.97 → 17(80-150)(160-200,230,260)

3



5414/6472  
7079-7083  
7245-7248  
7253-7257  
443 3686

**HEATING**

**DEUTZ FAHR** HEIZUNG  
HEATING SYSTEM  
CHAUFFAGE  
CALEFACCTON

2005-85 0504 7570

4.70-6.45,6.01  
80-150

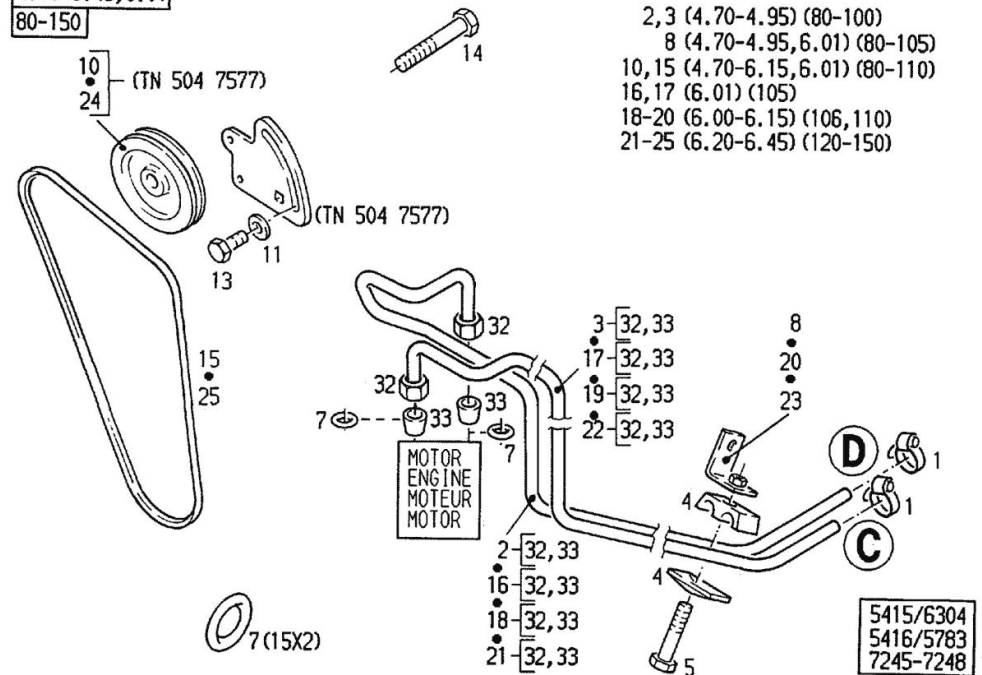


Fig.	P/n	QTY	Name
<b>Notes:</b> [AGROTRON 80]			
1	01133514	2	clamp Ø 20/32 DIN 003017AL 20- 32 -W1
2	04413692	201	piping
3	04413693	1	piping
4	01178214	2	terminal H 003270-ZKH-2-18X18-PA
5	01112356	1	screw m 8 x 40 ISO 004017-M 8 X 40 - 8.8-A4C
6	01112831	1	nut m 8 ISO 004032-M 8 LH - 8-A4C
7	01180530	1	ring H 002927- 15 X 2 -NBR-1-70
8	04412978.4	1	console
10	05047577		tensioner ☞ 19.85.20000
11	01151019	2	washer 8.4 DIN 000125- 8,4-200HV
13	01179567	1	screw H 002008-F-M 8 X 25- 10.9-GES BLACK
14	01111368	1	screw m10x120 d931 DIN 000931- M10 X120 - 8.8-A- A4C
15	01180517	1	belt AV 13x1525 mm H 003710-AVX 13X1525LA-WA
16	04413694	1	piping
17	04413695	1	piping
18	04413696	1	piping
19	04413697	1	piping
20	04412979.4	1	support
21	04411409	1	piping
22	04411410	1	piping
23	04412980.4	1	console
24	05047577		tensioner ☞ 19.85.20000
25	01180553	1	belt AV 15x1600 mm H 003710-AVX 15X1600LA-WA +8 -4
32	01127347	1	nut CL 18 H 003105- CL18 -ST-A3C WAXED ST

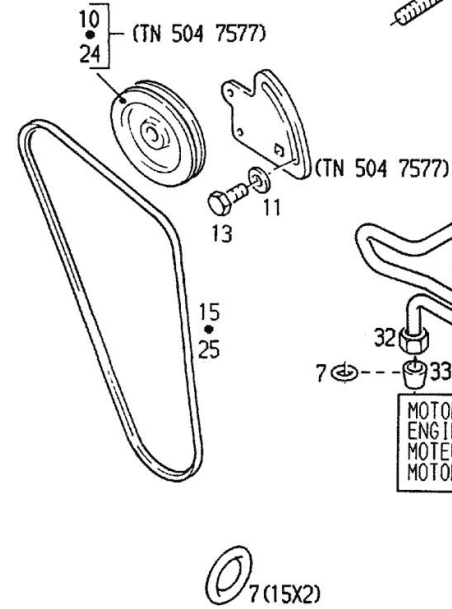
**HEATING**

Fig.	P/n	QTY	Name
33	01116628	1	ring H 003107-G L18-ST

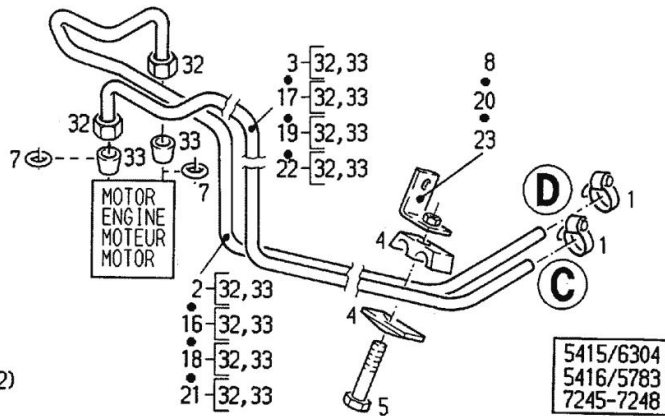
**DEUTZ FAHR**  
HEIZUNG  
HEATING SYSTEM  
CHAUFFAGE  
CALEFACCTON

2005-85 0504 7570

4.70-6.45,6.01  
80-150



- 2,3 (4.70-4.95) (80-100)
- 8 (4.70-4.95,6.01) (80-105)
- 10,15 (4.70-6.15,6.01) (80-110)
- 16,17 (6.01) (105)
- 18-20 (6.00-6.15) (106,110)
- 21-25 (6.20-6.45) (120-150)



**TENSION ROLLER**

**DEUTZ FAHR** SPANNROLLE  
TENSIONING PULLEY  
POULIE DE TENSION  
POLEA TENSORA

2005-85 0504 7577

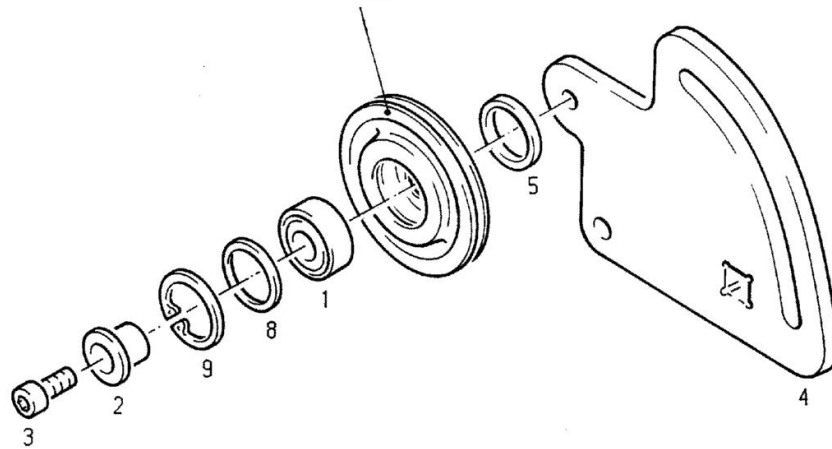
4.70-6.45,6.01

80-150

3

6-1-5,8,9(4.70-6.15,6.01) (80-110)

7-1-5,8,9(6,20-6.45) (120-150)



5415/16  
6304,5783  
7245-7248

Fig.	P/n	QTY	Name
<b>Notes:</b>			
[AGROTRON 80]			
1	01179676	1	bearing H 004461-62 05-2RS-C3
2	04412992	1	bushing
3	01110651	1	screw DIN 000912- M10 X 20 - 8.8- O ELGESCHW
4	04412987.4	1	link
5	04412993	1	ring
6	04412989.4	1	tensioner
7	04412986.4	1	tensioner
8	04412991	1	ring
9	01107838	1	circlip DIN 000472- 52X2

**VAPORIZER HEATING - BLOWER**

**DEUTZ FAHR** VERDAMPFER VAPORIZER SECHEUR VAPORIZADOR HEIZUNG HEATING SYSTEM CHAUFFAGE CALEFACCION GEBLAESE BLOWER SOUFFLANTE SOPLADOR

2005-85 0504 7572

4.70-6.45, 6.01

160, 175, 200

80-150

230, 260

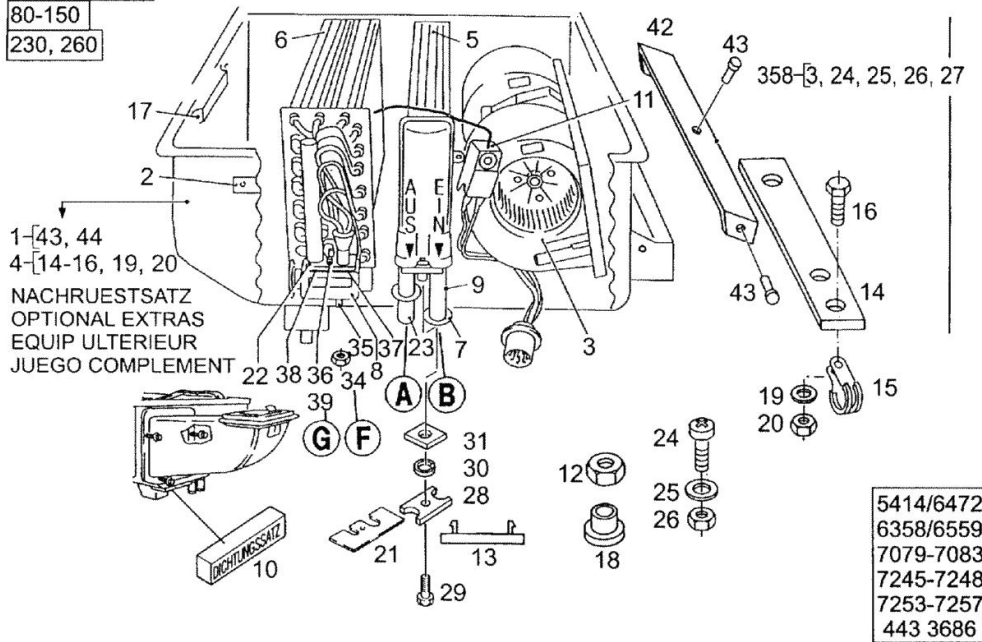


Fig.	P/n	QTY	Name
1	04411231	1	box
2	01174609	6	nut H 002189-B1-6,3/2,0-3,0
3	04418848	1	fan
4	04419965	1	publicity article
5	04411816.4	1	heat exchanger
6	04419567	1	radiator
7	04412965	2	ring
8	04419569	1	valve
9	04411815	2	tube
10	04412966	1	gasket
11	04411812	1	rectifier
12	01112813	1	nut m 6 DIN 000934-M 6 - 8-A4C
13	04412974	1	cover
14	04419963	1	plate
15	01173053	1	clamp b 25x20 H 003223-B25X20-W1/CR70-10
16	01112322	3	screw m 8 p.1.25 x 20 ISO 004017-M 8 X 20 - 8.8-A4C
17	04418106	2	rivet
18	06216491	2	plug Ø 14 H 002873-E 9,2 X 4,5-PE WEICH -NF
19	01107101	3	washer 8.4 DIN 000125-A 8,4-140HV-A4C
20	01112824	3	nut m 8, d934 ISO 004032-M 8 - 8-A4C
21	04419576	1	pipng
22	04419568	1	ring
24	01124514	2	screw m 5 x 12 ISO 007045-M 5X 12 - 4.8-H -A 4C
25	01104946	2	washer DIN 009021- 5,3-100HV-A4C
26	01136451	2	nut 5 DIN 000980-VM 5 - 8-A4C GEWAC HST
27	00000000	-	-
34	01127079	1	nut m 6 dx/rh/re ISO 004032-M 6 -10-A4C

**VAPORIZER HEATING - BLOWER**



VERDAMPFER  
VAPORIZER  
SECHEUR  
VAPORIZADOR

HEIZUNG  
HEATING SYSTEM  
CHAUFFAGE  
CALEFACCION

GEBLAESE  
BLOWER  
SOUFFLANTE  
SOPLADOR

2005-85 0504 7572

4.70-6.45, 6.01

160, 175, 200

80-150

230, 260

9

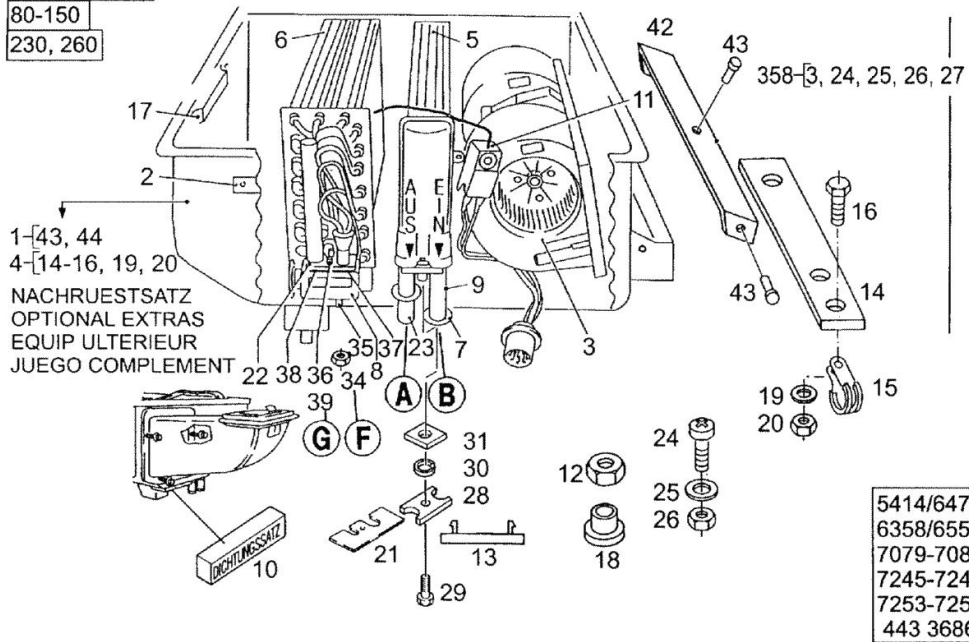


Fig.	P/n	QTY	Name
35	01113350	1	screw DIN 000939-M 6 X 16 - 8.8-A4C
36	01137982	2	screw DIN 000912- M 5 X 40 -10.9-A4 C
37	04419558	2	oil seal
38	04419559	2	oil seal
39	01167193	2	ring H 002203- 5
358	03606358	1	controls assembly REINFORCED BLOWER HOUSING

**CONDENSER - AIR CONDITIONING UNIT**

Fig.	P/n	QTY	Name
------	-----	-----	------

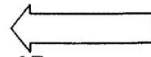
Notes:  
[AGROTRON 80]

2	04419061	1	condenser
3	01174133	2	fascia H 003461-B13 C 60- 80-W1
5	04411403	1	filter
7	05047475		cable harness ☞ 18.49.20000
9	01127051	6	screw DIN 000933-M10 X 16 - 8.8
10	04425154	1	pipng
11	04422709	1	plate
12	01127712	4	washer DIN 009021- 3,2-140HV-A4C
13	01174382	4	rivet H 002416-A3,2X11 -AL
16	04418080	1	tube
20	04412946	1	plate
21	04412948	2	small plate
22	01102659	2	nut m 10, d934 DIN 000934-M10 - 8-A4C
30	04308848	2	stop
36	04418093	1	plate
37	04417679	1	ring
40	01112439	2	screw m 10 x 35, d933 DIN 000933-M10 X 35 - 8.8-A4C
41	04419326	1	small plate
42	01136453	2	nut m 10 DIN 000980-VM10 - 8-A4C GEWAC HST
50	04422737	1	gasket
193	03606193	1	air-conditioning sys. RETROFIT ASSEMBLY



KONDENSATOR  
CAPACITOR  
CONDENSATEUR  
CONDENSADOR

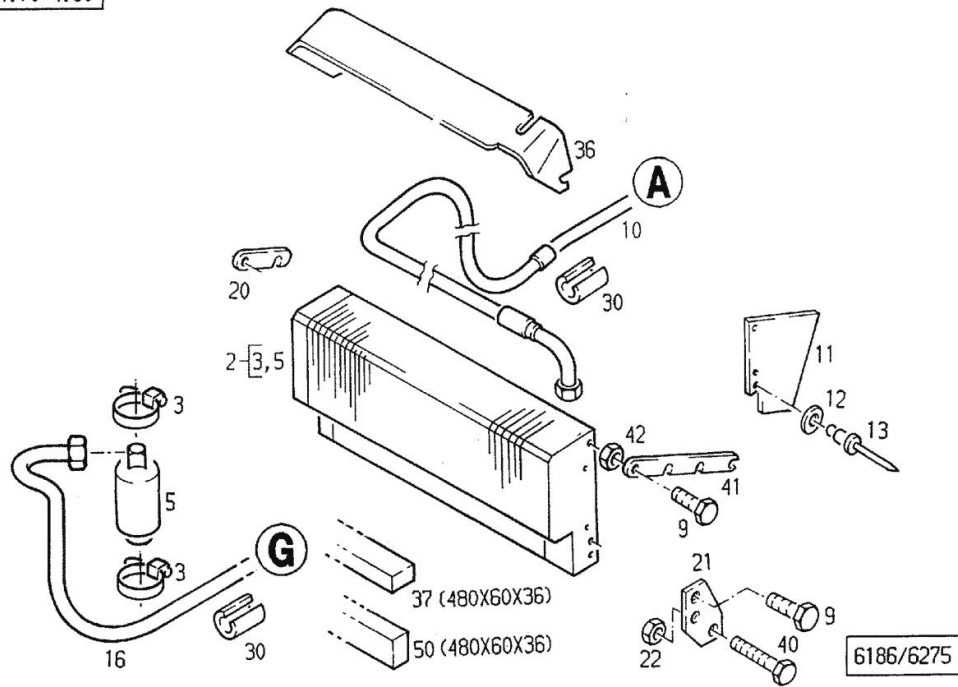
KLIMAAANLAGE  
AIR CONDIT. PLANT  
INST. CONDIT. D'AIR  
INST. ACONDIC. AIRE



2005-85 0504 7560

4.70-4.80

193 6



**Buy Now**



Our support email:

[ebooklibonline@outlook.com](mailto:ebooklibonline@outlook.com)