

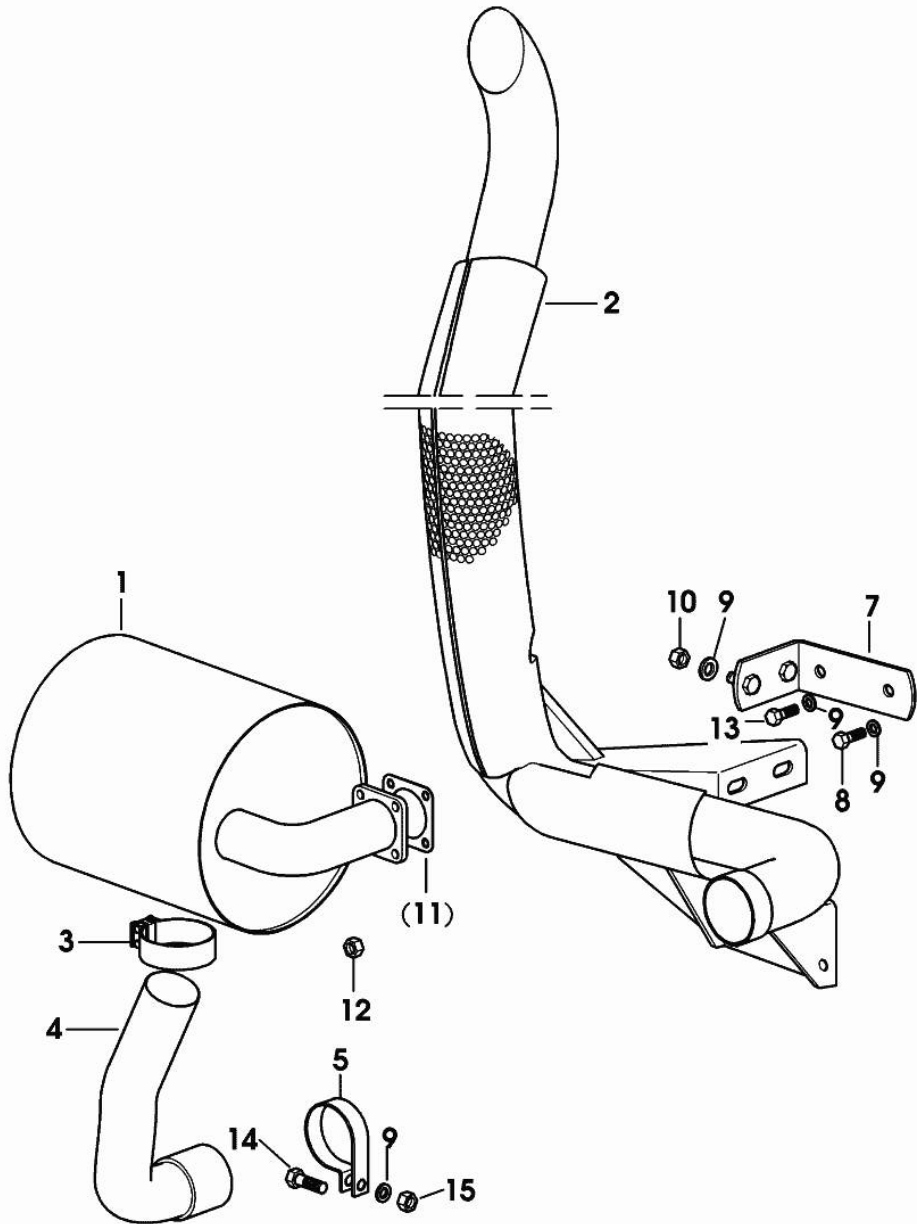
Section: ENGINE

**EXHAUST SILENCER**

Fig.	P/n	QTY	Name
------	-----	-----	------

Notes:  
[Agrotron 80]

1	04452408	1	silencer
2	04450964.4	1	tube
3	04427254	1	bracket
4	04452439	1	manifold
5	04422728	1	fascia
7	04437931	1	shim
8	01112538	3	screw m 12 x 35, d933
9	01174738	6	flat washer 12.5x26x6
10	01112858	2	nut m 12, d934
12	01138774	3	nut m 8
13	01112554	1	screw m 12 x 45
14	01112429	1	screw m 10 x 30, d933
15	01102659	1	nut m 10, d934



K9\_D4356\_00\_0\_0

**FILLER CAP**

Fig.	P/n	QTY	Name
------	-----	-----	------

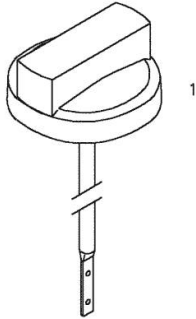
**Notes:**  
[Agrotron 80]

**Engine serial number:**

906500 906501 912472 912473 915268 915269 915270 936861 936862 936863 936864 941711 941712 941713 941714  
942695 942696 949892 949893 949894 960815 960816 960817 960818 960819 960820 969824 969825 969826 969827  
969828 978407 980281 980282 987669 997641 997642 997643 1000507 1000508 1004930 1010319 1010320 1010321  
1010322 1010323 1015025 1015026 1015027 1019946 1019947 1022102 1022103 1022104 1022105 1022106 1022501  
1022502 1027988 1027989 1027990 1027991

000 ©

1	01180286	1	plug
---	----------	---	------



**OIL FILLER NECK**

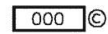
Fig.	P/n	QTY	Name
------	-----	-----	------

**Notes:**

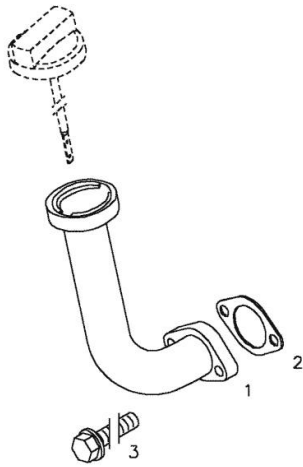
[Agrotron 80]

**Engine serial number:**

906500 906501 912472 912473 915268 915269 915270 936861 936862 936863 936864 941711 941712 941713 941714  
 942695 942696 949892 949893 949894 960815 960816 960817 960818 960819 960820 969824 969825 969826 969827  
 969828 978407 980281 980282 987669 997641 997642 997643 1000507 1000508 1004930 1010319 1010320 1010321  
 1010322 1010323 1015025 1015026 1015027 1019946 1019947 1022102 1022103 1022104 1022105 1022106 1022501  
 1022502 1027988 1027989 1027990 1027991



1	04207099	1	tube
2	01178421	1	gasket DIN 71511 -35X58X1,5-DEUTZFW31
3	01181433	2	screw EN 1662 -F-M8X20-LG2,5-10.9-ZNAL-A



Section: ENGINE

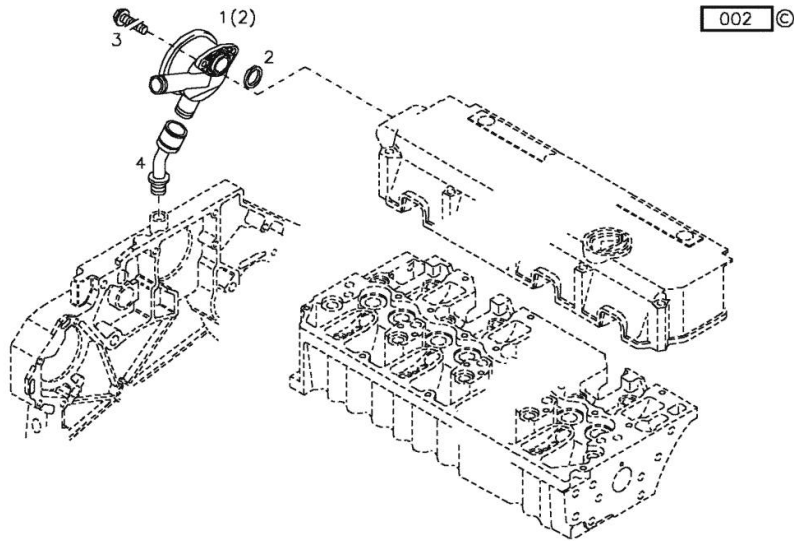
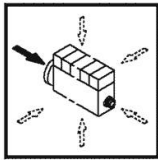
**CRANKCASE BREATHER**

Fig.	P/n	QTY	Name
------	-----	-----	------

Notes:  
[Agrottron 80]

**Engine serial number:**

906500 906501 912472 912473 915268 915269 915270 936861 936862 936863 936864 941711 941712 941713 941714  
942695 942696 949892 949893 949894 960815 960816 960817 960818 960819 960820 969824 969825 969826 969827  
969828 978407 980281 980282 987669 997641 997642 997643 1000507 1000508 1004930 1010319 1010320 1010321  
1010322 1010323 1015025 1015026 1015027 1019946 1019947 1022102 1022103 1022104 1022105 1022106 1022501  
1022502 1027988 1027989 1027990 1027991



1	04203321	1	valve WITH ITEM .... (2)
2	04206233	1	gasket
3	01179292	2	screw EN 1662 -F-M6X20-10.9-A4C
4	04207290	1	pipng

Section: ENGINE

**PISTON COOL.NOZZLE**

Fig.	P/n	QTY	Name
------	-----	-----	------

**Notes:**

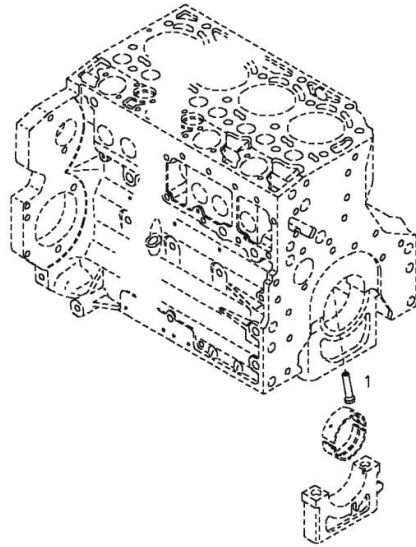
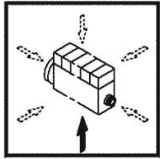
[Agrotron 80]

**Engine serial number:**

906500 906501 912472 912473 915268 915269 915270 936861 936862 936863 936864 941711 941712 941713 941714  
 942695 942696 949892 949893 949894 960815 960816 960817 960818 960819 960820 969824 969825 969826 969827  
 969828 978407 980281 980282 987669 997641 997642 997643 1000507 1000508 1004930 1010319 1010320 1010321  
 1010322 1010323 1015025 1015026 1015027 1019946 1019947 1022102 1022103 1022104 1022105 1022106 1022501  
 1022502 1027988 1027989 1027990 1027991

001 ©

1	04207521	1	sprayers
---	----------	---	----------

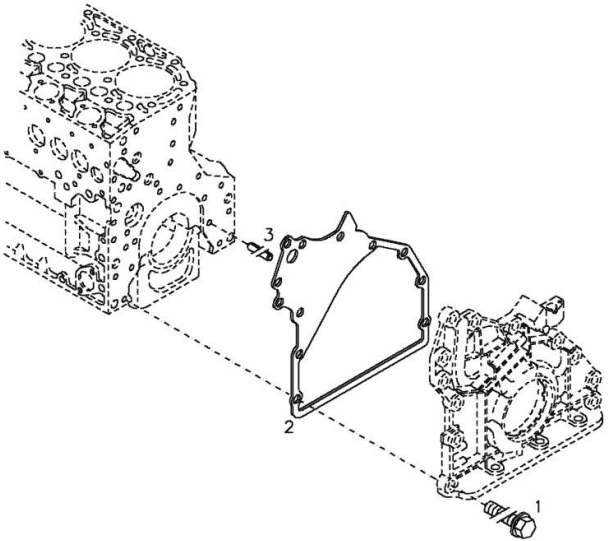


Section: ENGINE  
FASTENINGS

Fig.	P/n	QTY	Name
------	-----	-----	------

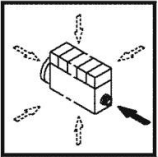
Notes:  
[Agrotron 80]

**Engine serial number:**  
 906500 906501 912472 912473 915268 915269 915270 936861 936862 936863 936864 941711 941712 941713 941714  
 942695 942696 949892 949893 949894 960815 960816 960817 960818 960819 960820 969824 969825 969826 969827  
 969828 978407 980281 980282 987669 997641 997642 997643 1000507 1000508 1004930 1010319 1010320 1010321  
 1010322 1010323 1015025 1015026 1015027 1019946 1019947 1022102 1022103 1022104 1022105 1022106 1022501  
 1022502 1027988 1027989 1027990 1027991



001 ©

1	01143362	10	screw EN 1662 -F-M8X35-10.9-A4C
2	04252263	1	gasket
3	01181406	1	bushing H 2341 -B11X8-FE/ZN12C*



Section: ENGINE

**BLEEDING TUBE**

Fig.	P/n	QTY	Name
------	-----	-----	------

**Notes:**

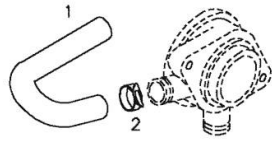
[Agrottron 80]

**Engine serial number:**

906500 906501 912472 912473 915268 915269 915270 936861 936862 936863 936864 941711 941712 941713 941714  
 942695 942696 949892 949893 949894 960815 960816 960817 960818 960819 960820 969824 969825 969826 969827  
 969828 978407 980281 980282

1	04198572	1	tube
2	01178750	1	clamp

000 ©



**Buy Now**



Our support email:

[ebooklibonline@outlook.com](mailto:ebooklibonline@outlook.com)