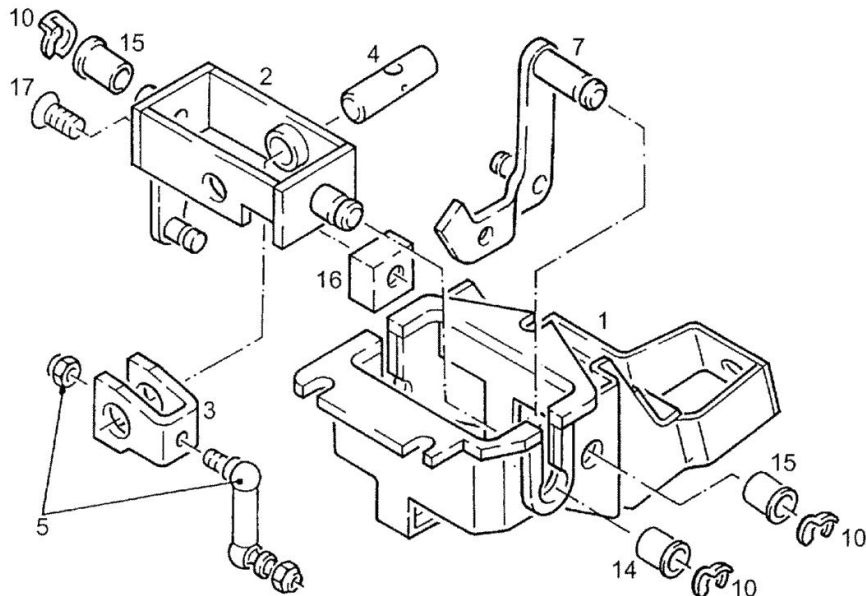


OPERATION - HYDR. CONTROLLER FOR POSITION 1+2 CROSS LEVER

DEUTZ FAHR BETAETIGUNG HYDR. STEUERUNG FUER STELLE 1+2
 CONTROL ASSEMBLY HYDRAULIC CONTROL FOR POSITION
 CDE D'ACTIONNEM. CONTROLE HYDRAUL. POUR POSITION
 MANO ACCIONAMIENTO MANDO HIDRAULICO PARA POSICION **KREUZHEBEL**
 2005-88 0504 7646

4.70-6.45, 6.01 ————— 20 ————— 4



5390/5391/5564
 7279/7280/7281

Fig.	P/n	QTY	Name
------	-----	-----	------

Notes:
 [AGROTRON 85]

1	04423030	1	support
2	04415841	1	bracket
3	04415842	1	control panel
4	04423031	1	axle
			FROM FIRST REPLACEMENT UNTIL CHASSIS-AXLE-GEARBOX-SUPPLY WITH NO.ITEM.. 1X 04423030, 1X 04423088, 1X 04423029
5	04415844	1	rod
7	04415846	1	lever
10	01174098	3	washer
			H 002217-A12-A4C
14	04415847	1	bearing
15	04419515	2	bushing
16	04419051	1	contact surface
17	01136951	1	screw
			DIN 000965- M 6 X 16 - 4.8 -H -A4C
20	04423080	1	lever
			FROM FIRST REPLACEMENT UNTIL CHASSIS-AXLE-GEARBOX-SUPPLY WITH NO.ITEM.. 1X 04423029, 1X 04423088 1X 04423031, 1X 04423030

OPERATION - HYDR. CONTROLLER FOR POSITION 3+4 CROSS LEVER



BETAETIGUNG
CONTROL ASSEMBLY
CDE D' ACTIONNEM.
MANO ACCIONAMIENTO

HYDR. STEUERUNG
HYDRAULIC CONTROL
CONTROLE HYDRAUL.
MANDO HIDRAULICO

FUER STELLE 3+4
FOR POSITION
POUR POSITION
PARA POSICION

KREUZHEBEL

2005-88 0504 7648

4.70-6.45,6.01

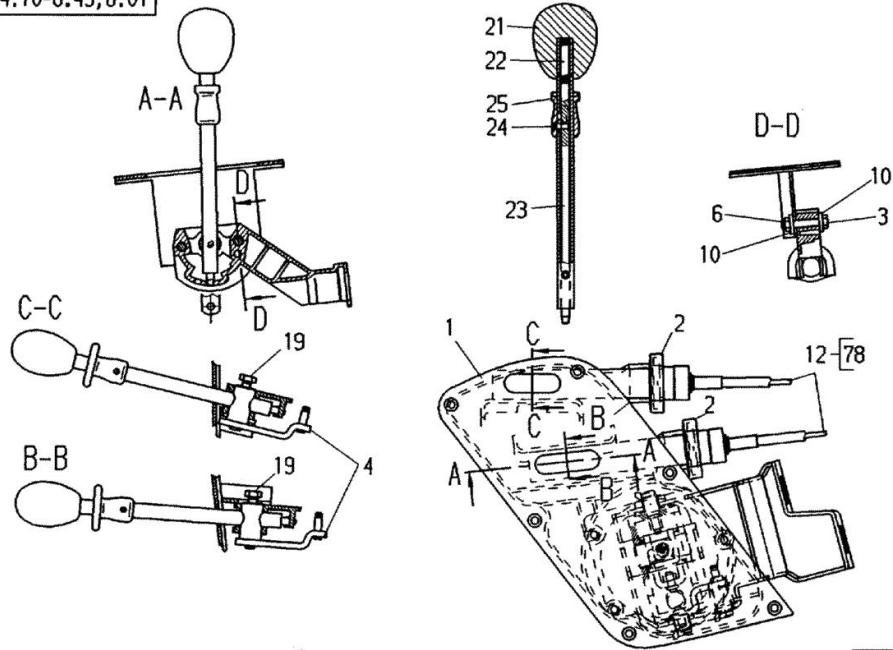


Fig.	P/n	QTY	Name
Notes:			
[AGROTRON 85]			
1	04419513	1	plate
2	04425445	2	armature
3	01124457	4	screw m 8 x 45 ISO 004017-M 8 X 45 - 8.8-A4C
4	04423032.4	2	lever FROM FIRST REPLACEMENT UNTIL CHASSIS-AXLE-GEARBOX- SUPPLY WITH NO.ITEM.. 14, 21, 22, 23, 24, 25
6	01136452	4	nut vm 8 d980 DIN 000980-VM 8 - 8-A4C GEWAC HST
10	01138374	8	washer 8,4x21x4 DIN 007349- 8,4-ST-A4C
12	04411678	4	cable
19	04423712	2	screw DIN 000933-M 8 X 16 ASP- 8.8- A4C
21	04423023.4	1	lever FROM FIRST REPLACEMENT UNTIL CHASSIS-AXLE-GEARBOX- SUPPLY WITH NO.ITEM.. 4, 14,
22	04426194	1	spring
23	04425215	1	rod
24	01144807	1	screw DIN 000427-M 4 X12-22H-A4C
25	04411645	1	coupling
78	04415469	1	clip
279	03607279	1	gasket set RETROFIT ASSEMBLY

HYDR. CONTROL FOR POSITIONS 1+2



HYDR. STEUERUNG
HYDRAULIC CONTROL
CONTROLE HYDRAUL.
MANDO HIDRAULICO

FUER STELLE 1+2
FOR POSITION
POUR POSITION
PARA POSICION

11/96
2004-88 0504 7429

4.70-4.95,6.01

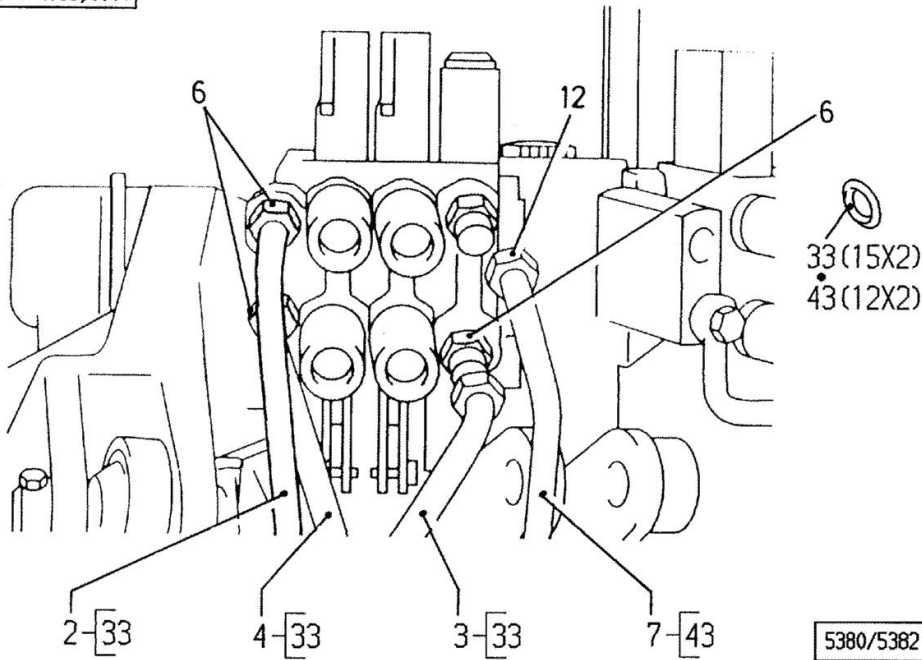


Fig.	P/n	QTY	Name
------	-----	-----	------

Notes:
[AGROTRON 85]

2	04423587	1	tube
3	04423586	1	tube
4	04419060	1	tube
6	01177450	3	pipe fitting m 22 p.1.5x18 H 003132-EM22X1,5X18-FPM -A4C
7	04415503	1	pipng
12	01179203	1	pipe fitting m 22 p.1.5x15 H 003132-EM22X1,5X15-FPM -A4C
33	01180530	2	ring H 002927- 15 X 2 -NBR-1-70
43	01173907	1	oil seal H 002927- 12 X 2 -NBR-1-70

HYDR. CONTROL FOR POSITIONS 1+2

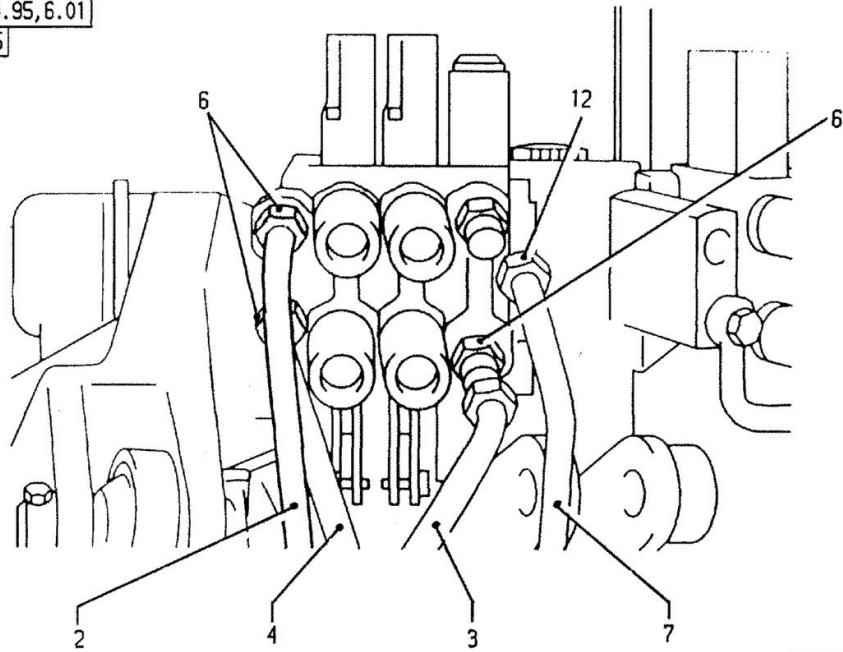
DEUTZ FAHR HYDR. STEUERUNG FUER STELLE 1+2
 HYDRAULIC CONTROL FOR POSITION
 CONTROLE HYDRAUL. POUR POSITION
 MANDO HIDRAULICO PARA POSICION

12/96

2004-88 0504 7763

4.70-4.95,6.01

80-105



7141/7142

Fig.	P/n	QTY	Name
------	-----	-----	------

Notes:
 [AGROTRON 85]

2	04423587	1	tube
3	04423586	1	tube
4	04424644	1	tube
6	01177450	2	pipe fitting m 22 p.1.5x18 H 003132-EM22X1,5X18-FPM -A4C
7	04423588	1	piping
12	04424663	1	pipe fitting DIN 003944-L22-ST-NBR - A4C

HYDR. CONTROL FOR POSITIONS 1+2+3+4



HYDR. STEUERUNG
HYDRAULIC CONTROL
CONTROLE HYDRAUL.
MANDO HIDRAULICO

FUER STELLE
FOR POSITION
POUR POSITION
PARA POSICION

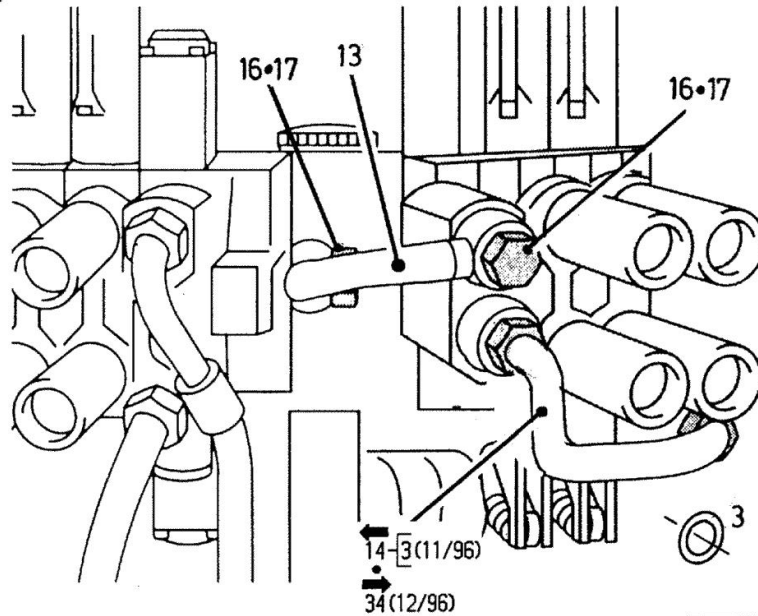
1+2+3+4

2004-88 0504 7432

2

4.70-4.95,6.01

80-105



5382/7142

Fig.	P/n	QTY	Name
------	-----	-----	------

Notes:
[AGROTRON 85]

3	01180530	2	ring H 002927- 15 X 2 -NBR-1-70
13	04412129	1	pipng
14	04415506	1	pipng
16	01137278	2	screw H 003102-D18 M-ST-A4C
17	01173526	4	ring 22.7 x 30 x 2 H 002905-U 22,7X30 X2 -W1
34	04424645	1	screw

HYDR. CONTROL FOR POSITIONS 1+2

DEUTZ FAHR HYDR. STEUERUNG FUER STELLE 1+2
 HYDRAULIC CONTROL FOR POSITION
 CONTROLE HYDRAUL. POUR POSITION
 MANDO HIDRAULICO PARA POSICION

2004-88 0504 7430
 2

4.70-4.95,6.01
 80-105

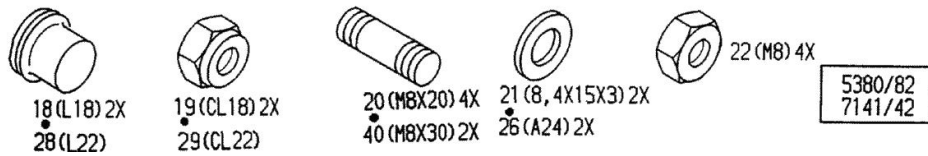
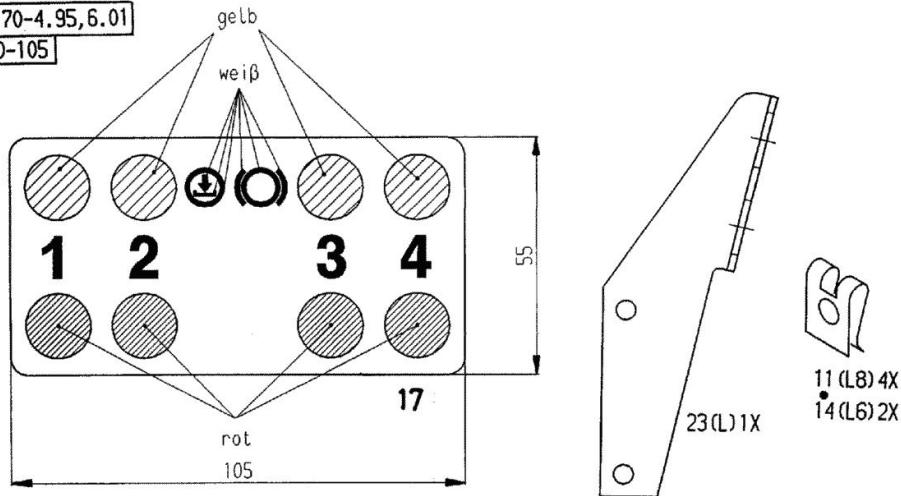


Fig.	P/n	QTY	Name
11	01176237	4	guard H 002205-L 8 -FE/ZN12CC
14	01175725	4	clip 6, d128 H 002205-L 6 -FE/ZN12CC
17	04413397	1	plate
18	01180566	2	cone H 003107-DKO-L18-ST-NBR -A4C
19	01127347	2	nut CL 18 H 003105- CL18 -ST-A3C WAXED ST
20	01113381	4	stud bolt m 8x20 DIN 939 DIN 000939-M 8 X 20 - 8.8-A4C
21	01172303	2	washer H 002308- 8,4X15X3
22	01112824	4	nut m 8, d934 ISO 004032-M 8 - 8-A4C
23	04415740	1	console
26	04418159	2	circlip H 002217-A24-C60/CK67/VTZ45-A 4C
28	04424664	1	plug
29	01116656	1	pipe fitting m 30 p.2 H 003105- CL22 -ST-A3C WAXED ST
40	01113397	2	stud bolt m 8x30 DIN939 DIN 000939-M 8 X 30 - 8.8-A4C

HYDR. CONTROL FOR POSITIONS 1+2

Fig.	P/n	QTY	Name
------	-----	-----	------

Notes:
[AGROTRON 85]

5	01177225	1	vent m 26x1,5/22 H 003132-EM26X1,5X22-FPM -A4C
6	01177450	3	pipe fitting m 22 p.1.5x18 H 003132-EM22X1,5X18-FPM -A4C
8	01144818	1	vent DIN 003942-L18-ST- NBR-A4C
9	04426193	4	lever
10	04402646	4	pin 8x25
12	01179203	1	pipe fitting m 22 p.1.5x15 H 003132-EM22X1,5X15-FPM -A4C
13	04413526	2	bolt 6x25
18	04422764	1	pipe fitting m 22 p.1.5x22 H 003132-EM22X1,5X22-FPM -A3C
30	04415468	2	stop
31	04415471	2	bushing



HYDR. STEUERUNG
HYDRAULIC CONTROL
CONTROLE HYDRAUL.
MANDO HIDRAULICO

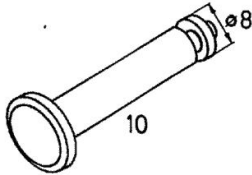
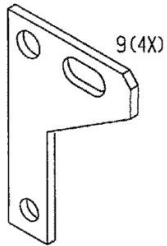
FUER STELLE
FOR POSITION
POUR POSITION
PARA POSICION

1+2

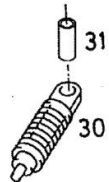
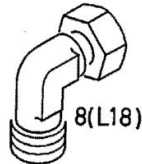
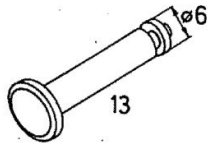
2004-88 0504 7431

3

4.70-4.95,6.01
80-105



5 (EM 26X1,5X22)
6 (EM 22X1,5X18)
12 (EM 22X1,5X15)
18 (EM 22X1,5X22)



5380/5382
7141/7142

Buy Now



Our support email:

ebooklibonline@outlook.com