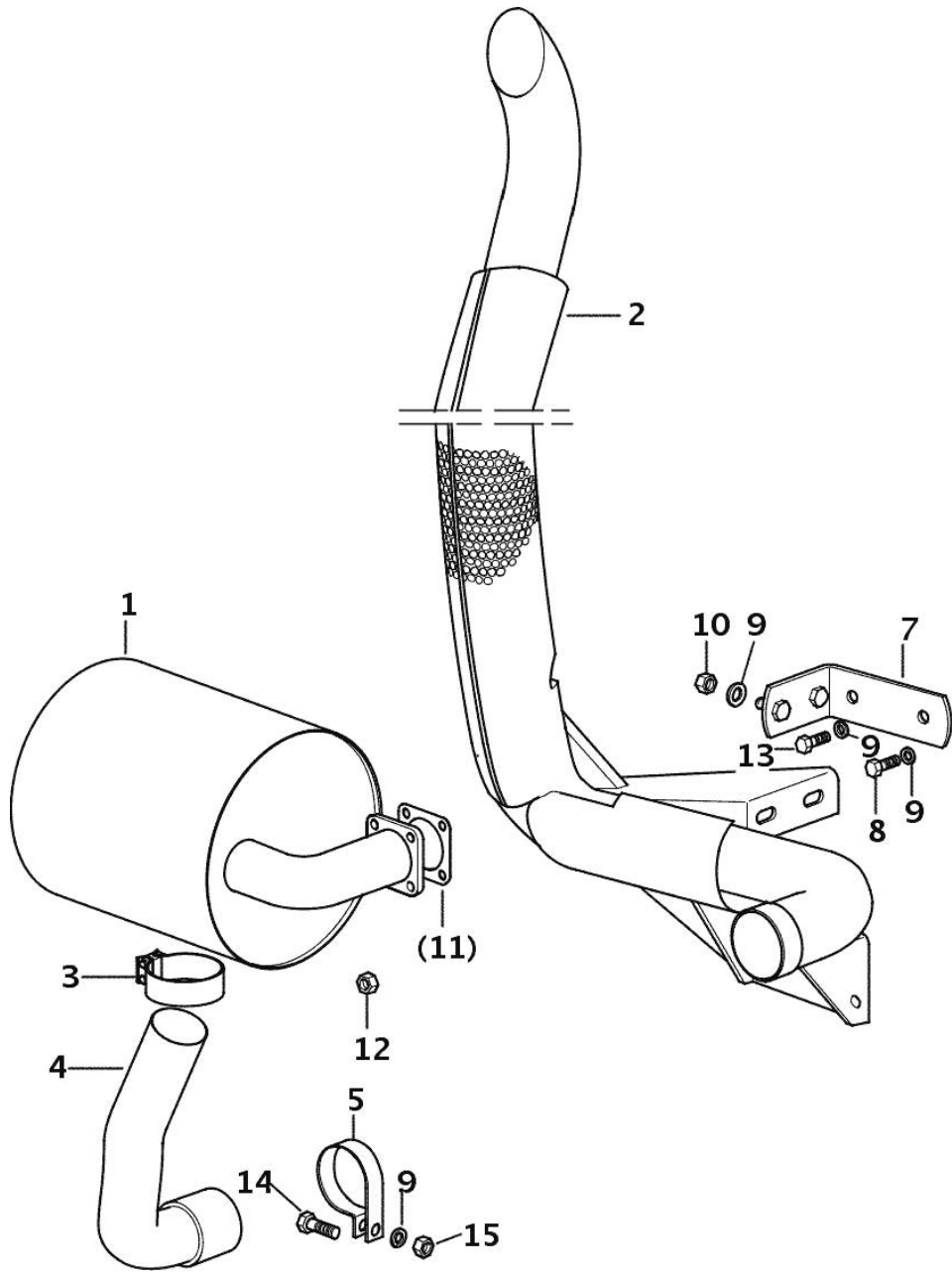


Section: ENGINE
EXHAUST SILENCER

Fig.	P/n	QTY	Name
------	-----	-----	------

Notes:
 [Agrotron 90]

1	04452408	1	silencer
2	04450964.4	1	tube
3	04427254	1	bracket
4	04452439	1	manifold
5	04422728	1	fascia
7	04437931	1	shim
8	01112538	3	screw m 12 x 35, d933
9	01174738	6	flat washer 12.5x26x6
10	01112858	2	nut m 12, d934
12	01138774	3	nut m 8
13	01112554	1	screw m 12 x 45
14	01112429	1	screw m 10 x 30, d933
15	01102659	1	nut m 10, d934



K9_D4356_00_0_0

FILLER CAP

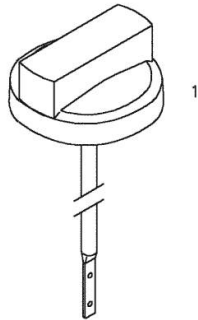
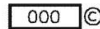
Fig.	P/n	QTY	Name
------	-----	-----	------

Notes:

[Agrotron 90]

Engine serial number:

906437 906438 906439 906440 906441 906442 906443 906444 906445 906446 906447 906448 906449 911498 914735
 914736 914737 914738 914739 914740 914741 914742 914880 914881 914882 914883 914884 914885 914886 922143
 922144 925000 925001 925002 925003 925004 925005 925006 925007 925008 925009 925853 925854 925855 925856
 925857 925858 925859 925860 925861 925862 933134 933135 933136 933137 933138 933139 933140 933141 933142
 933143 933144 933145 933146 933147 933148 933149 941644 941645 941646 941647 941648 941649 941650 941651
 941652 941653 941654 941655 941656 941657 941658 941659 941660 941661 941662 941663 941664 941665 941666
 941667 941668 942697 942698 942699 942700 942701 942702 942703 942704 942705 942706 942707 942708 942709
 949895 949896 949897 949898 949899 949900 949901 949902 949903 949904 949905 949906 949907 949908 949909
 949910 949911 949912 949913 949914 950695 950696 950697 950698 950699 950700 950701 950702 950703 950704
 957682 957683 961661 961662 961663 961664 961665 961666 961667 961668 961669 961670 961671 961672 961673
 961674 961675 969829 969830 969831 969832 969833 969834 969835 969836 969837 969838 969839 969840 970983
 970984 970985 970986 970987 970988 970989 970990 970991 970992 970993 970994 970995 970996 970997 970998
 970999 971000 971001 971002 971003 971004 972368 972369 972370 972371 972372 972373 972374 972375 972376
 972377 972378 972379 972380 972381 972382 972383 972384 972385 972386 972387 972388 972389 972390 972391
 972392 972393 972919 972920 972921 979941 979942 979943 979944 979945 979946 979947 979948 979949 979950
 979951 979952 979953 981342 981343 981344 981345 981346 981347 981348 981349 981350 981351 981352 981353
 981354 981355 994580 994581 994582 994583 994584 994585 994586 1000509 1000510 1000511 1000512 1000513
 1000514 1000515 1000516 1000517 1000518 1000519 1000520 1001218 1001219 1003001 1005253 1005254 1005255
 1005256 1005257 1005258 1005259 1005260 1010324 1010325 1010326 1010327 1010328 1010329 1010330 1010331
 1010332 1010333 1010334 1010335 1015028 1015029 1015030 1015031 1015032 1015033 1015034 1015035 1015631
 1015632 1015633 1019948 1019949 1022107 1022108 1022109 1022110 1022111 1022112 1022113 1022114 1022115
 1022116 1022117 1022118 1022341 1022342 1022343 1022344 1022345 1022346 1022347 1022348 1022349 1022350
 1022351 1022352 1022353 1022354 1023396 1023397 1030043 1030044 1030045 1030046 1030047 1030048 1030049
 1030050 1030051 1030052 1030053 1030054 1030055 1030056 1030057 1034149 1091017 1091018 1091019 1091020
 1091021 1091022 1091023 1091024 1091461 1091462 1091463 1091464 1091465 1091466 1091467 1091468 1091469
 1091470 1091471 1091472 1092591 1092592 1095652 1095653 1095654 1095655 1095656 1095657 1095658 1095659
 1095660 1095661 1095662 1095663 1095664 1095665 1095666 1095667 1095668 10001178 10001179 10001180
 10001181 10001821 10011002 10011003 10011004 10011005 10011006 10011007 10011008 10011009 10011010
 10011011 10011012 10011013 10011014 10011015 10011016 10011017 10011018



1	01180286	1	plug H 2875 -B2-OL40-166X4-130X12
---	----------	---	--------------------------------------

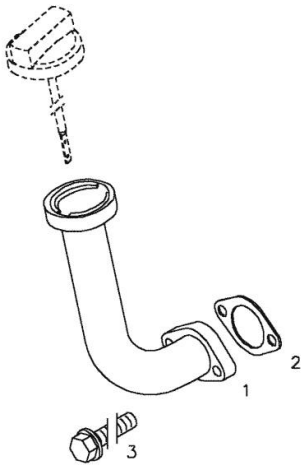
OIL FILLER NECK

Fig.	P/n	QTY	Name
------	-----	-----	------

Notes:
[Agrotron 90]

Engine serial number:

906437 906438 906439 906440 906441 906442 906443 906444 906445 906446 906447 906448 906449 911498 914735
914736 914737 914738 914739 914740 914741 914742 914880 914881 914882 914883 914884 914885 914886 922143
922144 925000 925001 925002 925003 925004 925005 925006 925007 925008 925009 925853 925854 925855 925856
925857 925858 925859 925860 925861 925862 933134 933135 933136 933137 933138 933139 933140 933141 933142
933143 933144 933145 933146 933147 933148 933149 941644 941645 941646 941647 941648 941649 941650 941651
941652 941653 941654 941655 941656 941657 941658 941659 941660 941661 941662 941663 941664 941665 941666
941667 941668 942697 942698 942699 942700 942701 942702 942703 942704 942705 942706 942707 942708 942709
949895 949896 949897 949898 949899 949900 949901 949902 949903 949904 949905 949906 949907 949908 949909
949910 949911 949912 949913 949914 950695 950696 950697 950698 950699 950700 950701 950702 950703 950704
957682 957683 961661 961662 961663 961664 961665 961666 961667 961668 961669 961670 961671 961672 961673
961674 961675 969829 969830 969831 969832 969833 969834 969835 969836 969837 969838 969839 969840 970983
970984 970985 970986 970987 970988 970989 970990 970991 970992 970993 970994 970995 970996 970997 970998
970999 971000 971001 971002 971003 971004 972368 972369 972370 972371 972372 972373 972374 972375 972376
972377 972378 972379 972380 972381 972382 972383 972384 972385 972386 972387 972388 972389 972390 972391
972392 972393 972919 972920 972921 979941 979942 979943 979944 979945 979946 979947 979948 979949 979950
979951 979952 979953 981342 981343 981344 981345 981346 981347 981348 981349 981350 981351 981352 981353
981354 981355 994580 994581 994582 994583 994584 994585 994586 1000509 1000510 1000511 1000512 1000513
1000514 1000515 1000516 1000517 1000518 1000519 1000520 1001218 1001219 1003001 1005253 1005254 1005255
1005256 1005257 1005258 1005259 1005260 1010324 1010325 1010326 1010327 1010328 1010329 1010330 1010331
1010332 1010333 1010334 1010335 1015028 1015029 1015030 1015031 1015032 1015033 1015034 1015035 1015631
1015632 1015633 1019948 1019949 1022107 1022108 1022109 1022110 1022111 1022112 1022113 1022114 1022115
1022116 1022117 1022118 1022341 1022342 1022343 1022344 1022345 1022346 1022347 1022348 1022349 1022350
1022351 1022352 1022353 1022354 1023396 1023397 1030043 1030044 1030045 1030046 1030047 1030048 1030049
1030050 1030051 1030052 1030053 1030054 1030055 1030056 1030057 1034149 1091017 1091018 1091019 1091020
1091021 1091022 1091023 1091024 1091461 1091462 1091463 1091464 1091465 1091466 1091467 1091468 1091469
1091470 1091471 1091472 1092591 1092592 1095652 1095653 1095654 1095655 1095656 1095657 1095658 1095659
1095660 1095661 1095662 1095663 1095664 1095665 1095666 1095667 1095668 10001178 10001179 10001180
10001181 10001821 10011002 10011003 10011004 10011005 10011006 10011007 10011008 10011009 10011010
10011011 10011012 10011013 10011014 10011015 10011016 10011017 10011018



1	04207099	1	tube
2	01178421	1	gasket DIN 71511 -35X58X1,5-DEUTZFW31
3	01181433	2	screw EN 1662 -F-M8X20-LG2,5-10.9-ZNAL-A

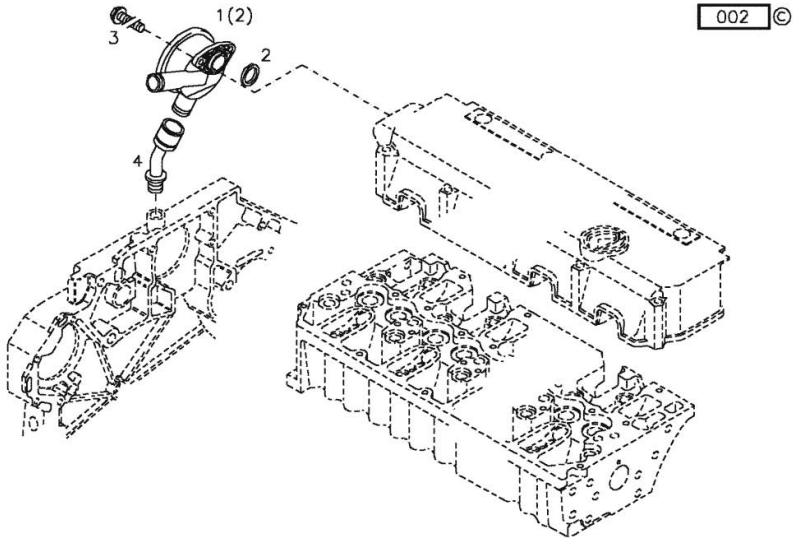
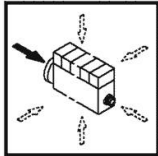
CRANKCASE BREATHER

Fig.	P/n	QTY	Name
------	-----	-----	------

Notes:
[Agrotron 90]

Engine serial number:

906437 906438 906439 906440 906441 906442 906443 906444 906445 906446 906447 906448 906449 911498 914735
914736 914737 914738 914739 914740 914741 914742 914880 914881 914882 914883 914884 914885 914886 922143
922144 925000 925001 925002 925003 925004 925005 925006 925007 925008 925009 925853 925854 925855 925856
925857 925858 925859 925860 925861 925862 933134 933135 933136 933137 933138 933139 933140 933141 933142
933143 933144 933145 933146 933147 933148 933149 941644 941645 941646 941647 941648 941649 941650 941651
941652 941653 941654 941655 941656 941657 941658 941659 941660 941661 941662 941663 941664 941665 941666
941667 941668 942697 942698 942699 942700 942701 942702 942703 942704 942705 942706 942707 942708 942709
949895 949896 949897 949898 949899 949900 949901 949902 949903 949904 949905 949906 949907 949908 949909
949910 949911 949912 949913 949914 950695 950696 950697 950698 950699 950700 950701 950702 950703 950704
957682 957683 961661 961662 961663 961664 961665 961666 961667 961668 961669 961670 961671 961672 961673
961674 961675 969829 969830 969831 969832 969833 969834 969835 969836 969837 969838 969839 969840 970983
970984 970985 970986 970987 970988 970989 970990 970991 970992 970993 970994 970995 970996 970997 970998
970999 971000 971001 971002 971003 971004 972368 972369 972370 972371 972372 972373 972374 972375 972376
972377 972378 972379 972380 972381 972382 972383 972384 972385 972386 972387 972388 972389 972390 972391
972392 972393 972919 972920 972921 979941 979942 979943 979944 979945 979946 979947 979948 979949 979950
979951 979952 979953 981342 981343 981344 981345 981346 981347 981348 981349 981350 981351 981352 981353
981354 981355 994580 994581 994582 994583 994584 994585 994586 1000509 1000510 1000511 1000512 1000513
1000514 1000515 1000516 1000517 1000518 1000519 1000520 1001218 1001219 1003001 1005253 1005254 1005255
1005256 1005257 1005258 1005259 1005260 1010324 1010325 1010326 1010327 1010328 1010329 1010330 1010331
1010332 1010333 1010334 1010335 1015028 1015029 1015030 1015031 1015032 1015033 1015034 1015035 1015631
1015632 1015633 1019948 1019949 1022107 1022108 1022109 1022110 1022111 1022112 1022113 1022114 1022115
1022116 1022117 1022118 1022341 1022342 1022343 1022344 1022345 1022346 1022347 1022348 1022349 1022350
1022351 1022352 1022353 1022354 1023396 1023397 1030043 1030044 1030045 1030046 1030047 1030048 1030049
1030050 1030051 1030052 1030053 1030054 1030055 1030056 1030057 1034149 1091017 1091018 1091019 1091020
1091021 1091022 1091023 1091024 1091461 1091462 1091463 1091464 1091465 1091466 1091467 1091468 1091469
1091470 1091471 1091472 1092591 1092592 1095652 1095653 1095654 1095655 1095656 1095657 1095658 1095659
1095660 1095661 1095662 1095663 1095664 1095665 1095666 1095667 1095668 10001178 10001179 10001180
10001181 10001821 10011002 10011003 10011004 10011005 10011006 10011007 10011008 10011009 10011010
10011011 10011012 10011013 10011014 10011015 10011016 10011017 10011018



1	04203321	1	valve WITH ITEM (2)
2	04206233	1	gasket
3	01179292	2	screw EN 1662 -F-M6X20-10.9-A4C
4	04207290	1	piping

PISTON COOL.NOZZLE

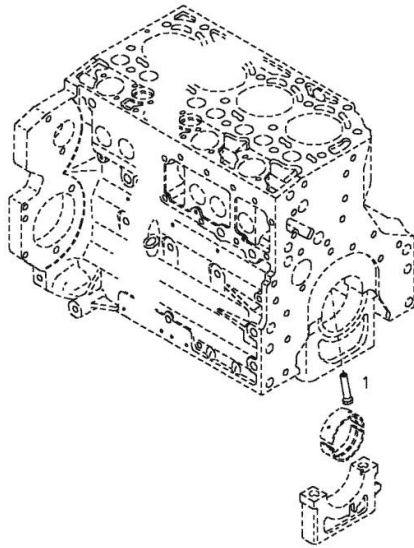
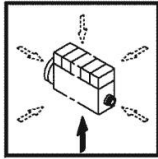
Fig.	P/n	QTY	Name
------	-----	-----	------

Notes:
[Agrotron 90]

Engine serial number:

906437 906438 906439 906440 906441 906442 906443 906444 906445 906446 906447 906448 906449 911498 914735
 914736 914737 914738 914739 914740 914741 914742 914880 914881 914882 914883 914884 914885 914886 922143
 922144 925000 925001 925002 925003 925004 925005 925006 925007 925008 925009 925853 925854 925855 925856
 925857 925858 925859 925860 925861 925862 933134 933135 933136 933137 933138 933139 933140 933141 933142
 933143 933144 933145 933146 933147 933148 933149 941644 941645 941646 941647 941648 941649 941650 941651
 941652 941653 941654 941655 941656 941657 941658 941659 941660 941661 941662 941663 941664 941665 941666
 941667 941668 942697 942698 942699 942700 942701 942702 942703 942704 942705 942706 942707 942708 942709
 949895 949896 949897 949898 949899 949900 949901 949902 949903 949904 949905 949906 949907 949908 949909
 949910 949911 949912 949913 949914 950695 950696 950697 950698 950699 950700 950701 950702 950703 950704
 957682 957683 961661 961662 961663 961664 961665 961666 961667 961668 961669 961670 961671 961672 961673
 961674 961675 969829 969830 969831 969832 969833 969834 969835 969836 969837 969838 969839 969840 970983
 970984 970985 970986 970987 970988 970989 970990 970991 970992 970993 970994 970995 970996 970997 970998
 970999 971000 971001 971002 971003 971004 972368 972369 972370 972371 972372 972373 972374 972375 972376
 972377 972378 972379 972380 972381 972382 972383 972384 972385 972386 972387 972388 972389 972390 972391
 972392 972393 972919 972920 972921 979941 979942 979943 979944 979945 979946 979947 979948 979949 979950
 979951 979952 979953 981342 981343 981344 981345 981346 981347 981348 981349 981350 981351 981352 981353
 981354 981355 994580 994581 994582 994583 994584 994585 994586 1000509 1000510 1000511 1000512 1000513
 1000514 1000515 1000516 1000517 1000518 1000519 1000520 1001218 1001219 1003001 1005253 1005254 1005255
 1005256 1005257 1005258 1005259 1005260 1010324 1010325 1010326 1010327 1010328 1010329 1010330 1010331
 1010332 1010333 1010334 1010335 1015028 1015029 1015030 1015031 1015032 1015033 1015034 1015035 1015631
 1015632 1015633 1019948 1019949 1022107 1022108 1022109 1022110 1022111 1022112 1022113 1022114 1022115
 1022116 1022117 1022118 1022341 1022342 1022343 1022344 1022345 1022346 1022347 1022348 1022349 1022350
 1022351 1022352 1022353 1022354 1023396 1023397 1030043 1030044 1030045 1030046 1030047 1030048 1030049
 1030050 1030051 1030052 1030053 1030054 1030055 1030056 1030057 1034149 1091017 1091018 1091019 1091020
 1091021 1091022 1091023 1091024 1091461 1091462 1091463 1091464 1091465 1091466 1091467 1091468 1091469
 1091470 1091471 1091472 1092591 1092592 1095652 1095653 1095654 1095655 1095656 1095657 1095658 1095659
 1095660 1095661 1095662 1095663 1095664 1095665 1095666 1095667 1095668 10001178 10001179 10001180
 10001181 10001821 10011002 10011003 10011004 10011005 10011006 10011007 10011008 10011009 10011010
 10011011 10011012 10011013 10011014 10011015 10011016 10011017 10011018

001 ©



1	04207521	1	sprayers
---	----------	---	----------

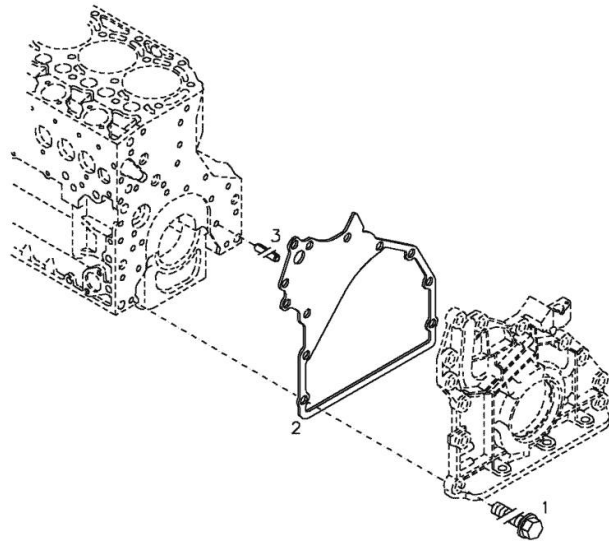
Section: ENGINE
FASTENINGS

Fig.	P/n	QTY	Name
------	-----	-----	------

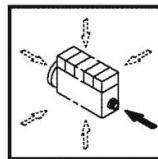
Notes:
[Agrotron 90]

Engine serial number:

906437 906438 906439 906440 906441 906442 906443 906444 906445 906446 906447 906448 906449 911498 914735
 914736 914737 914738 914739 914740 914741 914742 914880 914881 914882 914883 914884 914885 914886 922143
 922144 925000 925001 925002 925003 925004 925005 925006 925007 925008 925009 925853 925854 925855 925856
 925857 925858 925859 925860 925861 925862 933134 933135 933136 933137 933138 933139 933140 933141 933142
 933143 933144 933145 933146 933147 933148 933149 941644 941645 941646 941647 941648 941649 941650 941651
 941652 941653 941654 941655 941656 941657 941658 941659 941660 941661 941662 941663 941664 941665 941666
 941667 941668 942697 942698 942699 942700 942701 942702 942703 942704 942705 942706 942707 942708 942709
 949895 949896 949897 949898 949899 949900 949901 949902 949903 949904 949905 949906 949907 949908 949909
 949910 949911 949912 949913 949914 950695 950696 950697 950698 950699 950700 950701 950702 950703 950704
 957682 957683 961661 961662 961663 961664 961665 961666 961667 961668 961669 961670 961671 961672 961673
 961674 961675 969829 969830 969831 969832 969833 969834 969835 969836 969837 969838 969839 969840 970983
 970984 970985 970986 970987 970988 970989 970990 970991 970992 970993 970994 970995 970996 970997 970998
 970999 971000 971001 971002 971003 971004 972368 972369 972370 972371 972372 972373 972374 972375 972376
 972377 972378 972379 972380 972381 972382 972383 972384 972385 972386 972387 972388 972389 972390 972391
 972392 972393 972919 972920 972921 979941 979942 979943 979944 979945 979946 979947 979948 979949 979950
 979951 979952 979953 981342 981343 981344 981345 981346 981347 981348 981349 981350 981351 981352 981353
 981354 981355 994580 994581 994582 994583 994584 994585 994586 1000509 1000510 1000511 1000512 1000513
 1000514 1000515 1000516 1000517 1000518 1000519 1000520 1001218 1001219 1003001 1005253 1005254 1005255
 1005256 1005257 1005258 1005259 1005260 1010324 1010325 1010326 1010327 1010328 1010329 1010330 1010331
 1010332 1010333 1010334 1010335 1015028 1015029 1015030 1015031 1015032 1015033 1015034 1015035 1015631
 1015632 1015633 1019948 1019949 1022107 1022108 1022109 1022110 1022111 1022112 1022113 1022114 1022115
 1022116 1022117 1022118 1022341 1022342 1022343 1022344 1022345 1022346 1022347 1022348 1022349 1022350
 1022351 1022352 1022353 1022354 1023396 1023397 1030043 1030044 1030045 1030046 1030047 1030048 1030049
 1030050 1030051 1030052 1030053 1030054 1030055 1030056 1030057 1034149 1091017 1091018 1091019 1091020
 1091021 1091022 1091023 1091024 1091461 1091462 1091463 1091464 1091465 1091466 1091467 1091468 1091469
 1091470 1091471 1091472 1092591 1092592 1095652 1095653 1095654 1095655 1095656 1095657 1095658 1095659
 1095660 1095661 1095662 1095663 1095664 1095665 1095666 1095667 1095668 10001178 10001179 10001180
 10001181 10001821 10011002 10011003 10011004 10011005 10011006 10011007 10011008 10011009 10011010
 10011011 10011012 10011013 10011014 10011015 10011016 10011017 10011018



001 ©



1	01143362	10	screw EN 1662 -F-M8X35-10.9-A4C
2	04252263	1	gasket
3	01181406	1	bushing H 2341 -B11X8-FE/ZN12C*

Section: ENGINE

FLANGE

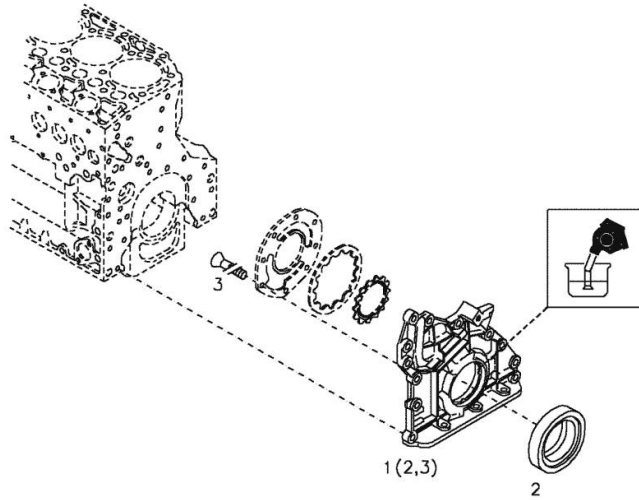
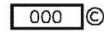
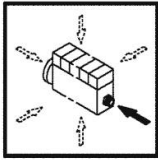
Fig.	P/n	QTY	Name
------	-----	-----	------

Notes:
[Agrottron 90]

Engine serial number:

906437 906438 906439 906440 906441 906442 906443 906444 906445 906446 906447 906448 906449

1	04252551	1	oil pump WITH ITEM (2,3)
2	04253372	1	oil seal
3	01133718	8	screw DIN 007991-M 6 X 16- 8.8 -A4C



Buy Now



Our support email:

ebooklibonline@outlook.com