

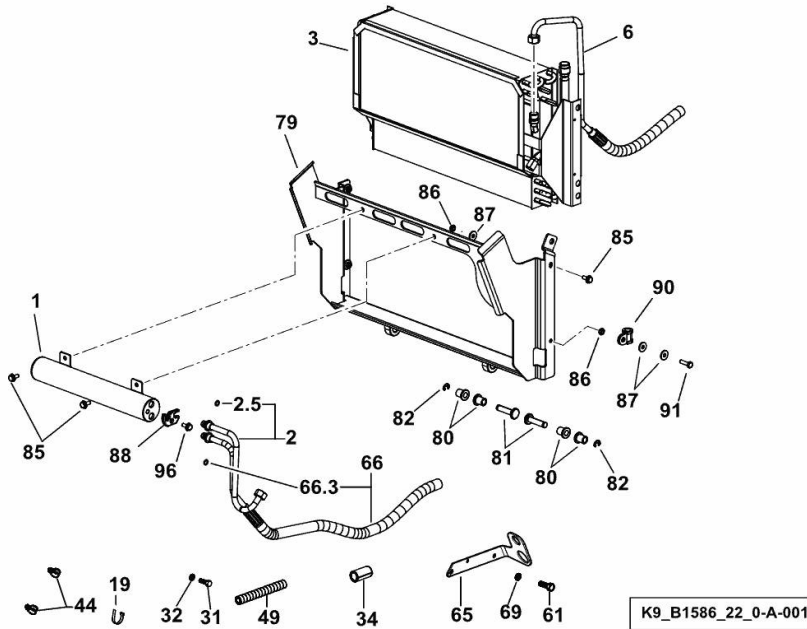
VENTILATION - AIR CONDITIONING

Fig.	P/n	QTY	Name
------	-----	-----	------

Notes:

[Agrotron K 100 -> 8156 1001] 1067 <-

1	0.014.2995.4/30	1	filter R 134a
2	0.014.3263.4	1	tube
2.5	2.1533.014.0	1	oil seal 7.65 x 1.78
3	0.011.9092.3/20	1	condenser
6	0.014.3279.4	1	tube
19	2.6852.203.0	8	clamp 292 x 4.8
31	2.0114.003.2	2	screw m 6 p.1 x 12
32	01103954	2	spring disc
34	04308848	2	stop
44	01220008	3	fascia B10X20
49	04423679	1	tube
61	2.0114.205.2	2	screw m 8 p.1.25 x 16
65	04454183/10	1	support
66	0.014.3262.4	1	tube
66.3	2.1533.014.0	1	oil seal 7.65 x 1.78
69	2.1310.004.2	3	flat washer 8.4x17
79	0.014.2848.3/10	1	support
80	2.1559.147.0	4	bushing
81	0.014.4027.0	2	pin
82	2.1430.009.2	2	ring 8
85	2.0129.065.0	6	screw m 6 x 14
86	2.1012.103.7	4	nut m 6 p.1
87	2.1312.003.2	5	washer 6
88	0.015.4226.0/20	1	spacer
90	2.6839.055.0	1	clamp Ø 11 / 20
91	2.0112.008.2	1	screw m 6 p.1x22
96	2.0312.208.2	1	screw m 8 p.1.25 x 25

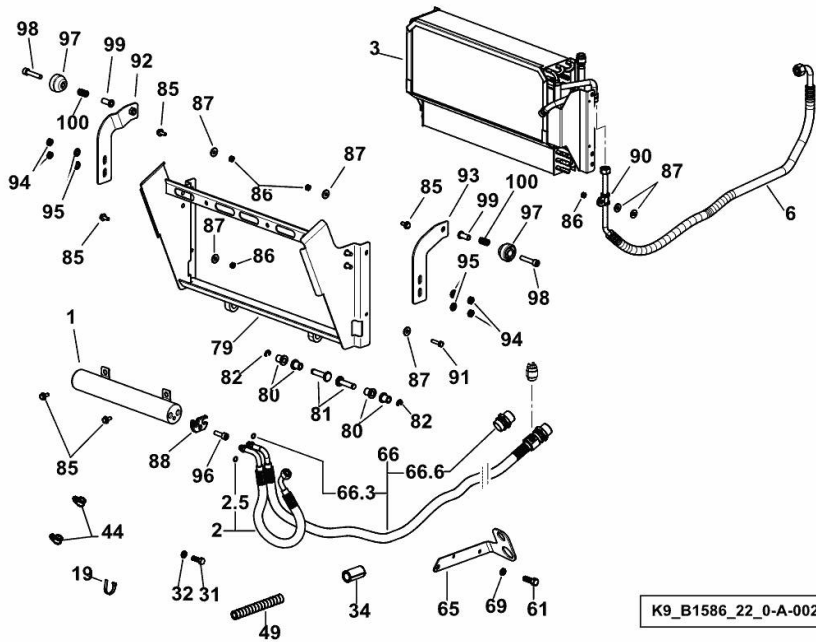


VENTILATION - AIR CONDITIONING

Fig.	P/n	QTY	Name
------	-----	-----	------

Notes:

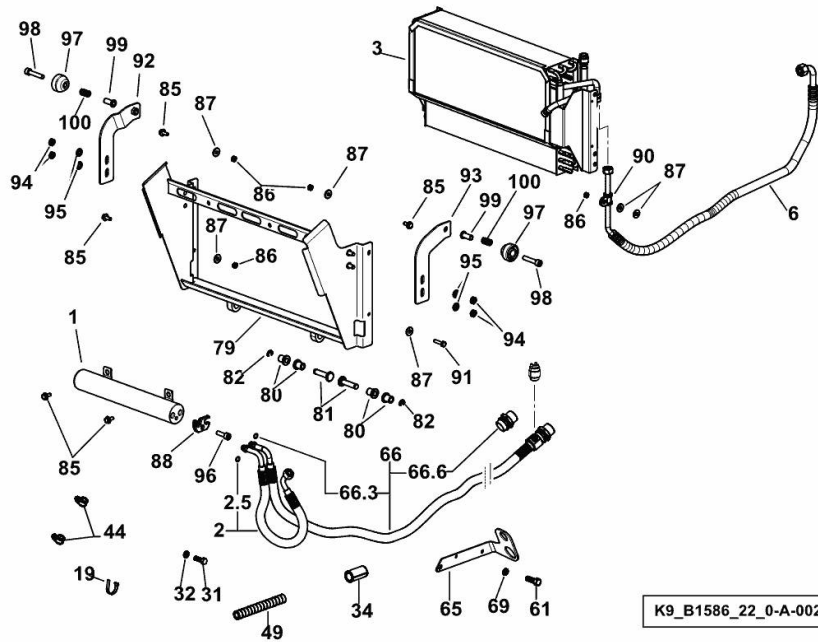
[Agrotron K 100 -> 8156 1001] -> 1070



1	0.014.2995.4/30	1	filter R 134a
2	0.014.3263.4/10	1	tube (1319 <-)
2	0.014.3263.4/20	1	tube (1281 - 1451)
2	0.014.3263.4/30	1	tube (-> 1452)
2.5	2.1533.014.0	1	oil seal 7.65 x 1.78 (1281 - 1451)
3	0.014.4660.3	1	condenser
6	0.014.3279.4/10	1	tube
19	2.6852.203.0	8	clamp 292 x 4.8
31	2.0114.003.2	2	screw m 6 p.1 x 12
32	01103954	2	spring disc
34	04308848	2	stop
44	01220008	3	fascia B10X20
49	04423679	1	tube
61	2.0114.205.2	2	screw m 8 p.1.25 x 16
65	04454183/10	1	support
66	0.014.3262.4/10	1	tube (1451 <-)
66	0.014.3262.4/20	1	tube (-> 1452)
66.3	2.1533.014.0	1	oil seal 7.65 x 1.78 (1451 <-)
66.3	2.1539.249.0	1	gasket (-> 1452)
66.6	0.014.4924.4	1	coupling (1451 <-)
69	2.1310.004.2	3	flat washer 8.4x17
79	0.014.2848.3/20	1	support (1983 <-)
79	0.014.2848.3/40	1	chassis frame (-> 1984)
80	2.1559.147.0	4	bushing
81	0.014.4027.0	2	pin
82	2.1430.009.2	2	ring 8
85	2.0129.065.0	5	screw m 6 x 14
86	2.1012.103.7	4	nut m 6 p.1
87	2.1312.003.2	6	washer 6
88	0.015.4226.0/20	1	spacer
90	2.6839.055.0	1	clamp Ø 11 / 20
91	2.0112.009.2	1	screw m 6 p.1 x 25
92	0.014.4410.3	1	bracket dx/rh/re (1319 <-)
92	0.014.4410.3/10	1	bracket dx/rh/re (-> 1281)
93	0.014.4411.3	1	bracket sx/lh/li (1319 <-)
93	0.014.4411.3/10	1	bracket sx/lh/li (-> 1281)
94	2.1120.005.2	4	nut m 8 p.1.25
95	2.1310.004.2	4	flat washer 8.4x17
96	2.0312.208.2	1	screw m 8 p.1.25 x 25
97	0.014.4770.0	2	knob (1319 <-)
97	0.014.4770.0/10	2	knob (-> 1281)

VENTILATION - AIR CONDITIONING

Fig.	P/n	QTY	Name
98	2.0312.214.2	2	screw m 8 p.1.25 x 40
99	0.014.4769.0/10	2	bushing
100	2.4049.136.2	2	spring (1319 <-)
100	2.4019.797.2	2	spring (-> 1281)
2.5	2.1539.249.0	1	gasket (-> 1452)
66.6	0.014.4924.4	1	coupling (-> 1452)
2.5	2.1533.014.0	1	oil seal 7.65 x 1.78 (1319 <-)



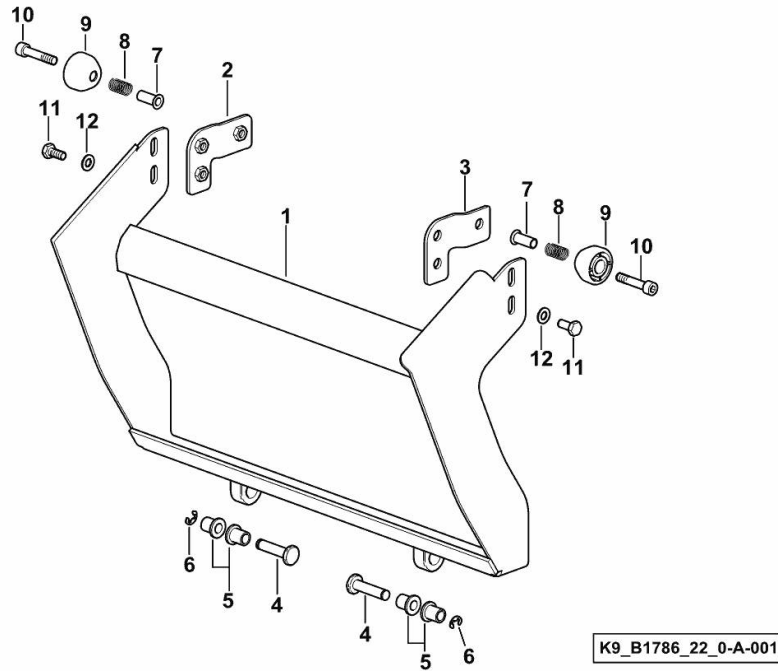
AIR DUCTING HOOD - FOR TRACTORS WITHOUT AIR CONDITIONING

Fig.	P/n	QTY	Name
------	-----	-----	------

Notes:

[Agrotron K 100 -> 8156 1001]

1	0.014.5385.3	1	chassis frame
2	0.014.5389.3	1	support dx/rh/re
3	0.014.5388.3	1	support sx/lh/li
4	0.014.4027.0	2	pin
5	2.1559.147.0	4	bushing
6	2.1430.009.2	2	ring 8
7	0.014.4769.0/10	2	bushing
8	2.4019.797.2	2	spring
9	0.014.4770.0	2	knob (1206 <-)
9	0.014.4770.0/10	2	knob (-> 1339)
10	2.0312.214.2	2	screw m 8 p.1.25 x 40
11	2.0112.206.2	4	screw m 8 p.1.25 x 18
12	2.1310.004.2	4	flat washer 8.4x17



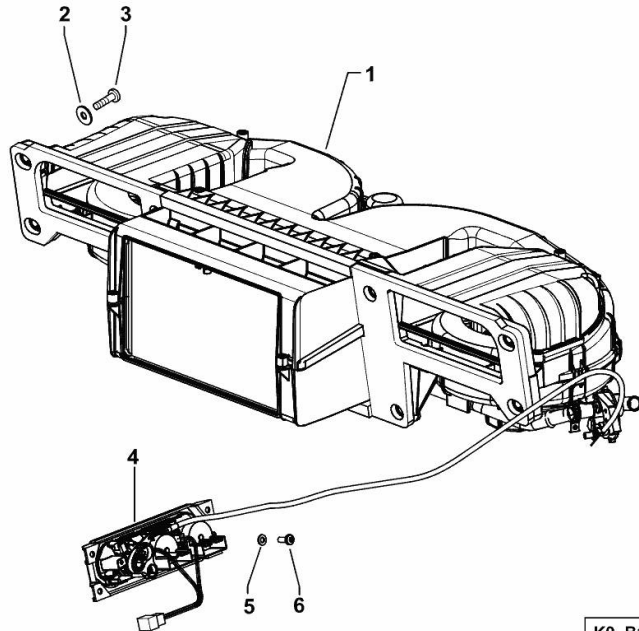
HEATING

Fig.	P/n	QTY	Name
------	-----	-----	------

Notes:

[Agrotron K 100 -> 8156 1001] 1159 <-

1	0.013.2170.4	1	heating unit ☞ 0.013.2170.4
2	2.1312.004.2	8	washer 8x24x2
3	2.0330.509.2	8	screw m 8 x 30
4	0.013.8833.4	1	controls assembly ☞ 0.013.8833.4
5	2.1310.002.2	4	flat washer 6.4x12.5
6	2.0330.406.2	4	screw m 6 p.1.0 x 16



K9_B1686_10_0-A-001

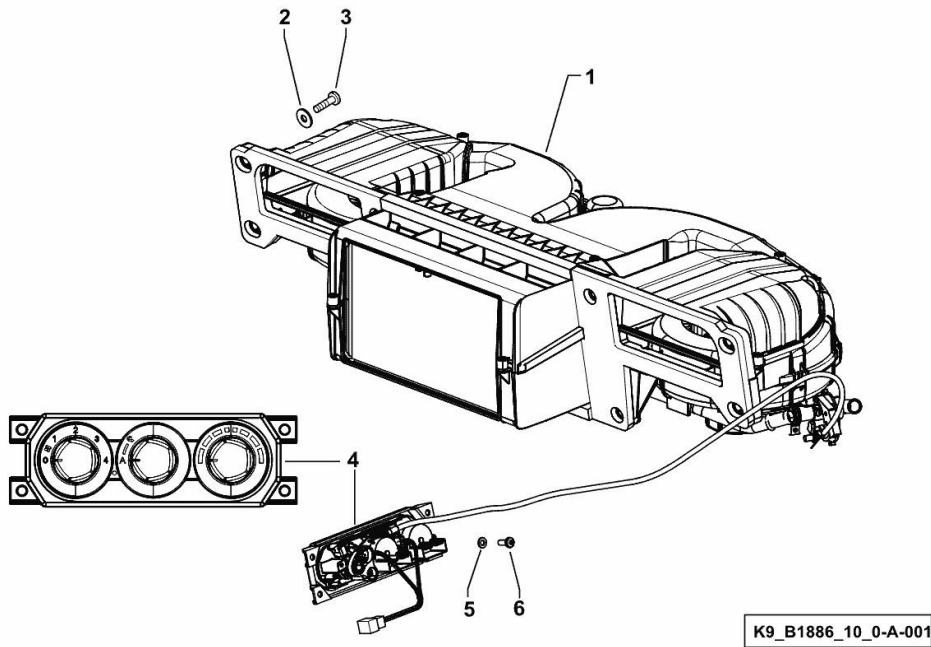
HEATING

Fig.	P/n	QTY	Name
------	-----	-----	------

Notes:

[Agrotron K 100 -> 8156 1001] -> 1206

1	0.013.2170.4	1	heating unit (2760 <-) ☞ 0.013.2170.4
1	0.013.2170.4/10	1	heating unit ☞ 0.013.2170.4/10
2	2.1312.004.2	8	washer 8x24x2
3	2.0330.509.2	8	screw m 8 x 30
4	0.014.5537.4	1	controls assembly ☞ 0.014.5537.4
5	2.1310.002.2	4	flat washer 6.4x12.5
6	2.0330.406.2	4	screw m 6 p.1.0 x 16



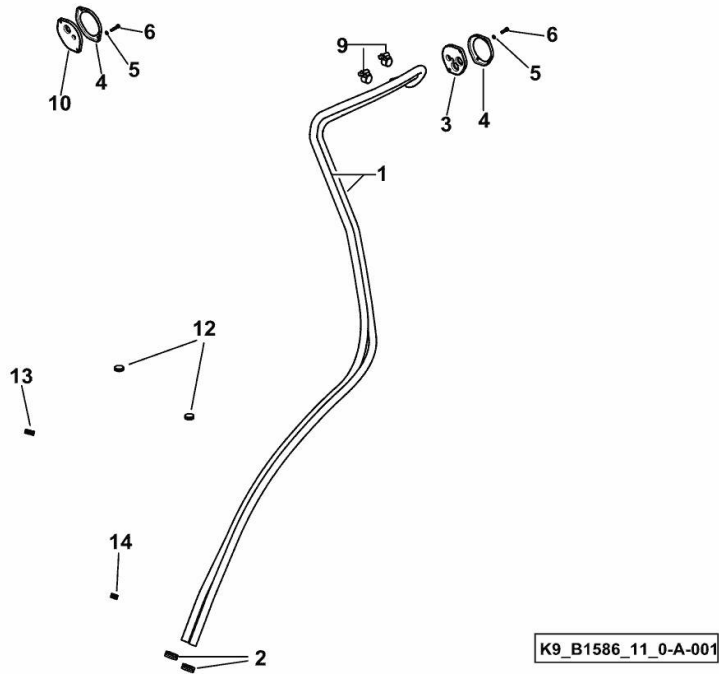
HEATING - PIPES

Fig.	P/n	QTY	Name
------	-----	-----	------

Notes:

[Agrotron K 100 -> 8156 1001]

1	0.013.1228.0/10	2	flexible hose
2	2.6560.021.0	2	wire guide 25x5x33x42h15
3	0.013.1285.0	1	grommet
4	0.013.1232.0	2	bottom
5	2.1470.002.2	4	lock washer 6
6	2.0112.009.2	4	screw m 6 p.1 x 25
9	2.6859.052.2	2	clamp (1447 <-)
9	2.6851.001.0	2	clamp Ø 16/25 (-> 1453)
10	0.013.1286.0	1	grommet
12	2.3199.321.0	2	plug
13	2.3199.325.0	1	plug
14	2.3199.324.0	1	plug



Buy Now



Our support email:

ebooklibonline@outlook.com