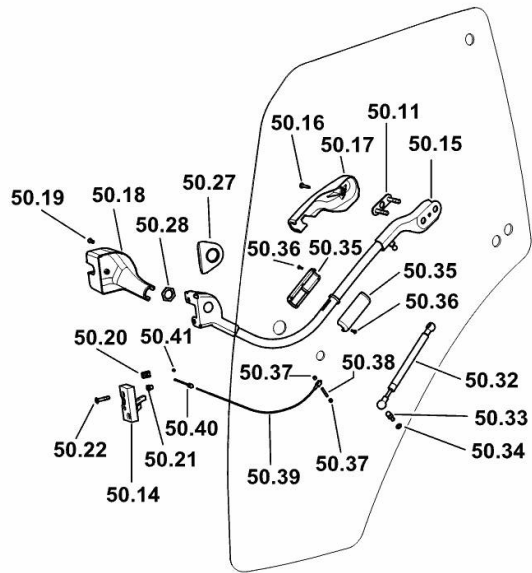


**CAB DOOR - SX/LH/LI**

Fig.	P/n	QTY	Name
------	-----	-----	------

**Notes:**

[Agrotron K 120 -> 8158 1001]



50.11	0.012.6618.3/10	1	plate
50.14	0.012.7011.4	1	lock
50.15	0.012.8689.3/40	1	bracket sx/lh/li
50.16	2.0362.209.3	1	screw m 6 x 30
50.17	0.012.8688.0/10	1	cover
50.18	0.012.8681.0	1	cover sx/lh/li
50.19	2.0342.205.3	2	screw m 6 p.1 x 20
50.20	2.6999.064.6	2	special nut m 6
50.21	0.012.9034.0	2	insert m 8
50.22	2.0342.310.3	2	screw m 8 p.1.25 x 40
50.27	0.012.8680.0/10	1	gasket
50.28	04416537	1	nut m 28 x 1
50.32	0.013.1659.4	1	shock absorber
50.33	2.1699.281.2/10	1	joint
50.34	2.1470.004.2	1	lock washer 8
50.35	04416216	2	grip
50.36	04413570	4	screw
50.37	04416218	2	spacer
50.38	01144894	1	pin 5 x 35
50.39	0.012.9033.4	1	rope
50.40	0.012.9031.2	1	terminal
50.41	2.0512.002.7	1	grub screw m 5 p.0.8 x 8

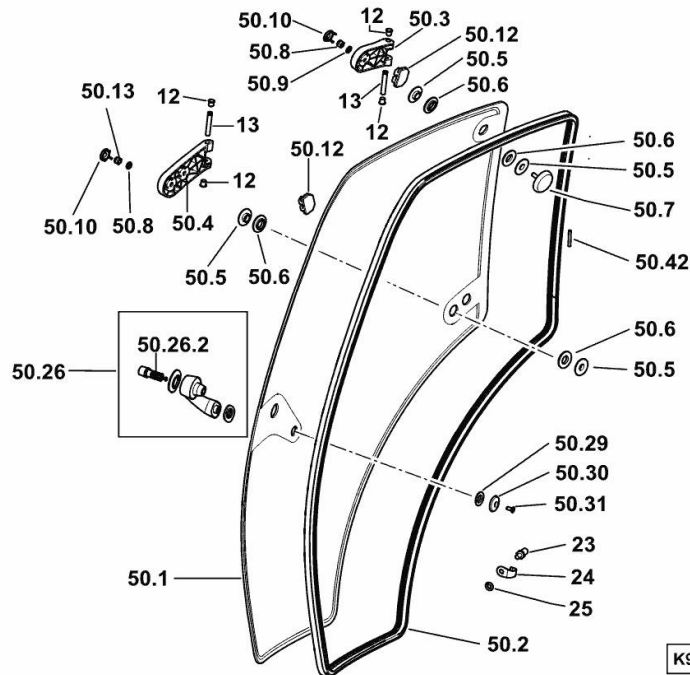
K9\_B1571\_14\_0-B-001

**CAB DOOR - DX/RH/RE**

Fig.	P/n	QTY	Name
------	-----	-----	------

**Notes:**

[Agrotron K 120 -> 8158 1001]



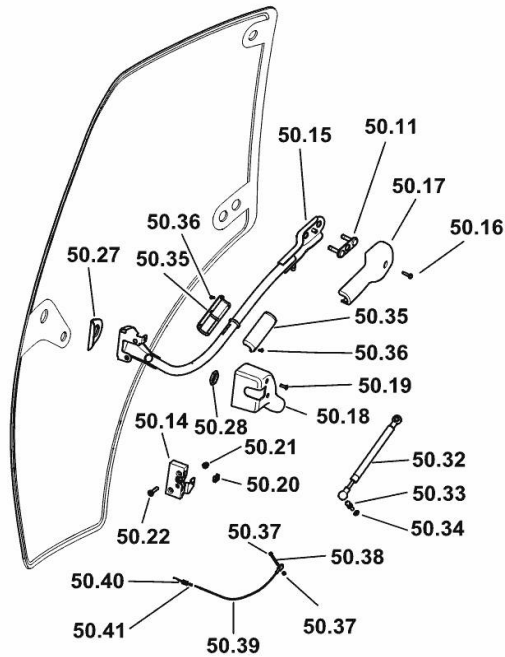
12	2.2841.043.0	4	bushing 12 x 14 x 15
13	0.012.6619.0	2	pin
23	0.012.8716.0	1	pin
24	0.012.8678.0	1	bracket
25	2.1310.007.2	1	flat washer 13 x 24
50.1	0.012.1432.0/10	1	door dx/rh/re
50.2	0.014.0992.0/10	4	gasket
50.3	0.012.6591.0/20	1	hinge
50.4	0.012.6592.0/20	1	hinge
50.5	0.012.6604.0	6	washer
50.6	0.012.6602.0	6	washer
50.7	0.012.6601.2	1	plug
50.8	2.1120.006.2	1	nut m 10 p.1.5
50.9	2.1310.006.2	3	flat washer 10.5x21
50.10	0.012.6605.0/20	3	tube
50.12	0.013.7532.0	2	spacer block
50.13	2.1120.221.2	2	self-locking nut m 10 p.1.25
50.26	0.013.1334.4	1	grip
50.26.2	0.012.8679.0	1	push-button
50.29	0.012.6178.0	1	gasket
50.30	0.012.6177.0	1	washer
50.31	2.0342.305.3	1	screw m 8 x 20
50.42	04418372	1	sealing section

**CAB DOOR - DX/RH/RE**

Fig.	P/n	QTY	Name
------	-----	-----	------

**Notes:**

[Agrotron K 120 -> 8158 1001]



K9\_B1571\_13\_0-B-001

50.11	0.012.6618.3/10	1	plate
50.14	0.012.7012.4	1	lock
50.15	0.012.8714.3/40	1	bracket
50.16	2.0362.209.3	1	screw m 6 x 30
50.17	0.012.8687.0/10	1	cover
50.18	0.012.8715.0	1	hood
50.19	2.0342.205.3	2	screw m 6 p.1 x 20
50.20	2.6999.064.6	2	special nut m 6
50.21	0.012.9034.0	2	insert m 8
50.22	2.0342.310.3	2	screw m 8 p.1.25 x 40
50.27	0.012.8680.0/10	1	gasket
50.28	04416537	1	nut m 28 x 1
50.32	0.013.1659.4	1	shock absorber
50.33	2.1699.281.2/10	1	joint
50.34	2.1470.004.2	1	lock washer 8
50.35	04416216	2	grip
50.36	04413570	4	screw
50.37	04416218	2	spacer
50.38	01144894	1	pin 5 x 35
50.39	0.012.9033.4	1	rope
50.40	0.012.9031.2	1	terminal
50.41	2.0512.002.7	1	grub screw m 5 p.0.8 x 8

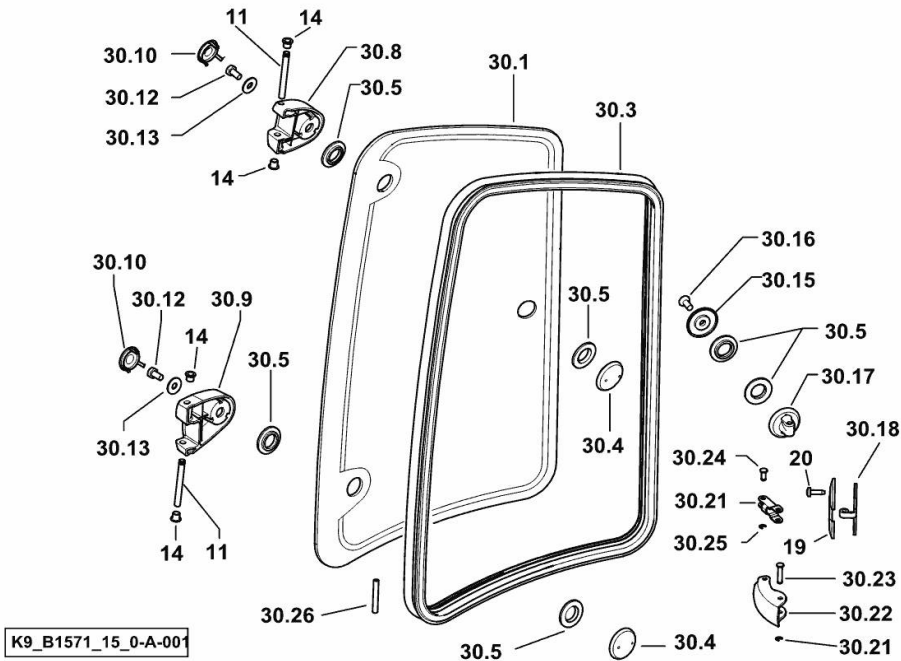
**OPENABLE SIDE WINDOW - DX/RH/RE**

Fig.	P/n	QTY	Name
------	-----	-----	------

**Notes:**

[Agrotron K 120 -> 8158 1001]

11	0.012.6608.0	2	pin
14	2.2841.018.0	4	bush
19	0.012.7216.0	1	cover
20	2.0362.207.3	2	screw m 6 x 20
30.1	0.012.1436.0	1	glass dx/rh/re
30.3	0.014.3817.0	2	gasket
30.4	0.012.6176.2/10	2	washer
30.5	0.012.6178.0	6	gasket
30.8	0.012.6595.0/10	1	hinge dx/rh/re
30.9	0.012.6596.0/10	1	hinge dx/rh/re
30.10	0.012.6605.0/20	2	tube
30.12	2.0112.205.2	2	screw m 8 p.1.25 x 16
30.13	2.1312.004.2	2	washer 8x24x2
30.15	0.012.6177.0	1	washer
30.16	2.0342.305.3	1	screw m 8 x 20
30.17	0.012.7219.2	1	support
30.18	0.012.7220.0	1	plate
30.21	0.012.7215.0	1	bracket
30.22	0.012.7218.0	1	handle
30.23	2.1679.100.2	2	pin
30.24	2.1679.099.2	1	pin
30.25	2.1430.005.7	3	circlip 4
30.26	04418372	0.05	sealing section



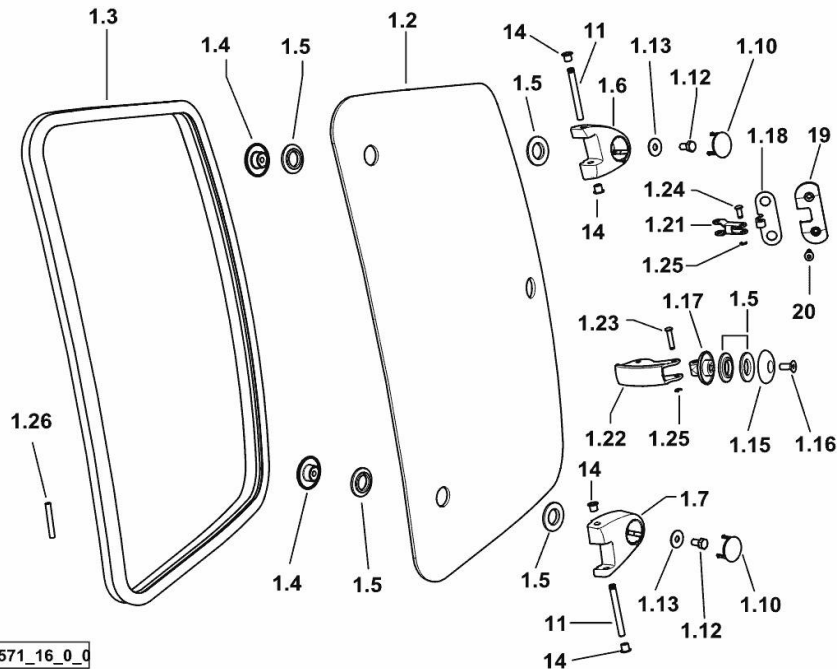
K9\_B1571\_15\_0-A-001

**OPENABLE SIDE WINDOW - SX/LH/LI**

Fig.	P/n	QTY	Name
------	-----	-----	------

**Notes:**

[Agrotron K 120 -> 8158 1001]



1.2	0.012.1437.0	1	glass sx/lh/li
1.3	0.014.3817.0	2	gasket
1.4	0.012.6176.2/10	2	washer
1.5	0.012.6178.0	6	gasket
1.6	0.012.6593.0/10	1	hinge sx/lh/li
1.7	0.012.6594.0/10	1	hinge sx/lh/li
1.10	0.012.6605.0/20	2	tube
1.12	2.0112.205.2	2	screw m 8 p.1.25 x 16
1.13	2.1312.004.2	2	washer 8x24x2
1.15	0.012.6177.0	1	washer
1.16	2.0342.305.3	1	screw m 8 x 20
1.17	0.012.7219.2	1	support
1.18	0.012.7220.0	1	plate
1.21	0.012.7215.0	1	bracket
1.22	0.012.7218.0	1	handle
1.23	2.1679.100.2	2	pin
1.24	2.1679.099.2	1	pin
1.25	2.1430.005.7	3	circlip 4
1.26	04418372	0.05	sealing section
11	0.012.6608.0	2	pin
14	2.2841.018.0	4	bush
19	0.012.7216.0	1	cover
20	2.0362.207.3	2	screw m 6 x 20

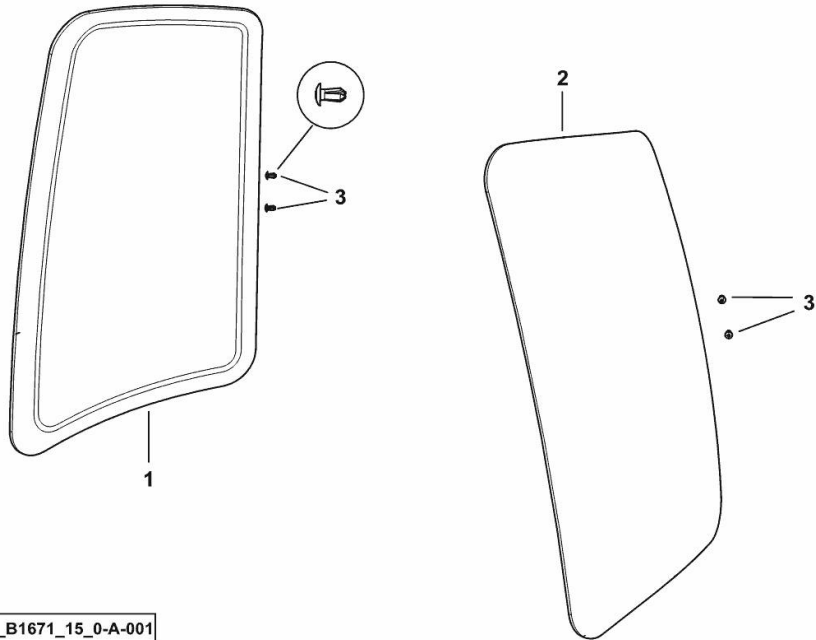
**SIDE PANEL FIXED**

Fig.	P/n	QTY	Name
------	-----	-----	------

**Notes:**

[Agrotron K 120 -> 8158 1001]

1	0.014.8850.0	1	glass dx/rh/re
2	0.014.8851.0	1	glass sx/lh/li
3	04423613	4	rivet



K9\_B1671\_15\_0-A-001

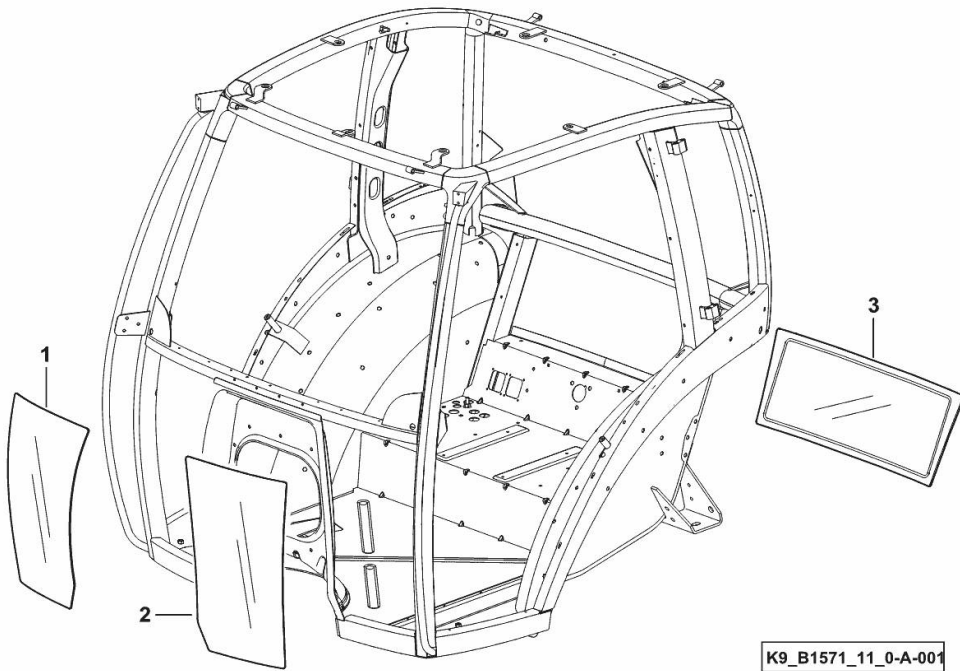
**BOTTOM WINDOWS**

Fig.	P/n	QTY	Name
------	-----	-----	------

**Notes:**

[Agrotron K 120 -> 8158 1001]

1	0.012.1434.0/10	1	glass dx/rh/re
2	0.012.1435.0/10	1	glass sx/lh/li
3	0.012.1439.0/10	1	glass



**Buy Now**



Our support email:

[ebooklibonline@outlook.com](mailto:ebooklibonline@outlook.com)