

CONTROL PEDAL FOR ELECTRONIC THROTTLE

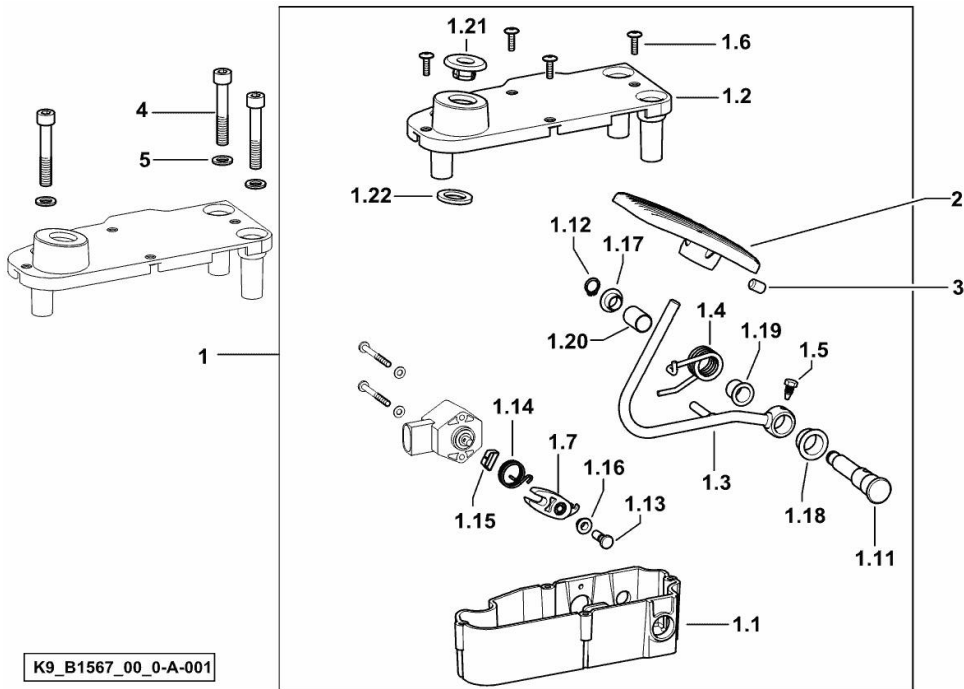


Fig.	P/n	QTY	Name
------	-----	-----	------

Notes:

[Agrotron K 120 Profiline -> 8162 1001]

1	0.013.0762.4/40	1	accelerator
1.1	0.010.8694.2/30	1	box
1.2	0.012.6572.0	1	cover
1.3	0.010.8699.2/30	1	lever
1.4	2.4099.115.2/30	1	spring
1.5	2.0399.272.2	1	screw m 5
1.6	2.0363.105.2	4	screw m 4
1.7	0.011.6578.0	1	lever
1.11	0.011.6028.0/10	1	pin
1.12	2.1410.001.1	1	circlip 10
1.13	2.1699.492.2/20	1	pin
1.14	2.4099.134.2	1	spring
1.15	0.011.3791.0	1	clip
1.16	2.2841.010.0	1	bushing 6x8x6
1.17	2.2841.034.0	1	bushing 10x12x7
1.18	2.2841.071.0	1	bushing 16x18x12
1.19	2.2841.043.0	1	bushing 12 x 14 x 15
1.20	2.2840.042.0	1	bushing 12x14x20
1.21	0.011.9149.0	1	plug
1.22	0.011.8709.0	1	washer
2	0.014.1238.2	1	accel. pedal
3	2.0512.204.7	1	grub screw m 8 p.1.25 x 12
4	2.0312.216.2	3	screw m 8 p.1.25x50
5	2.1474.009.2	3	spring washer 8

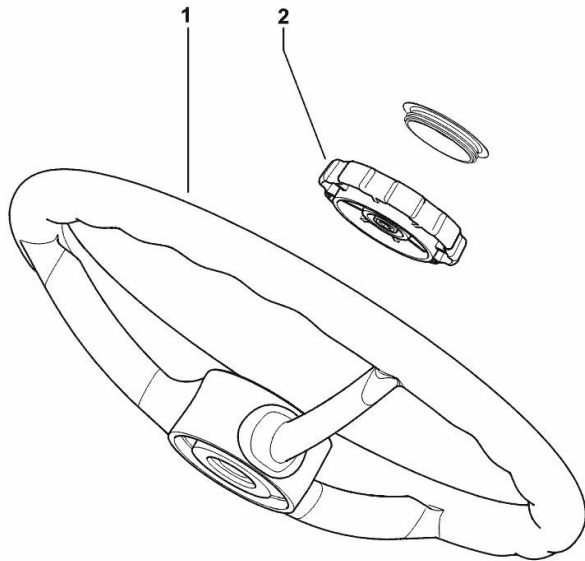
STEERING WHEEL

Fig.	P/n	QTY	Name
------	-----	-----	------

Notes:

[Agrotron K 120 Profiline -> 8162 1001]

1	0.010.6953.2	1	steering wheel
2	04386688	1	ring nut



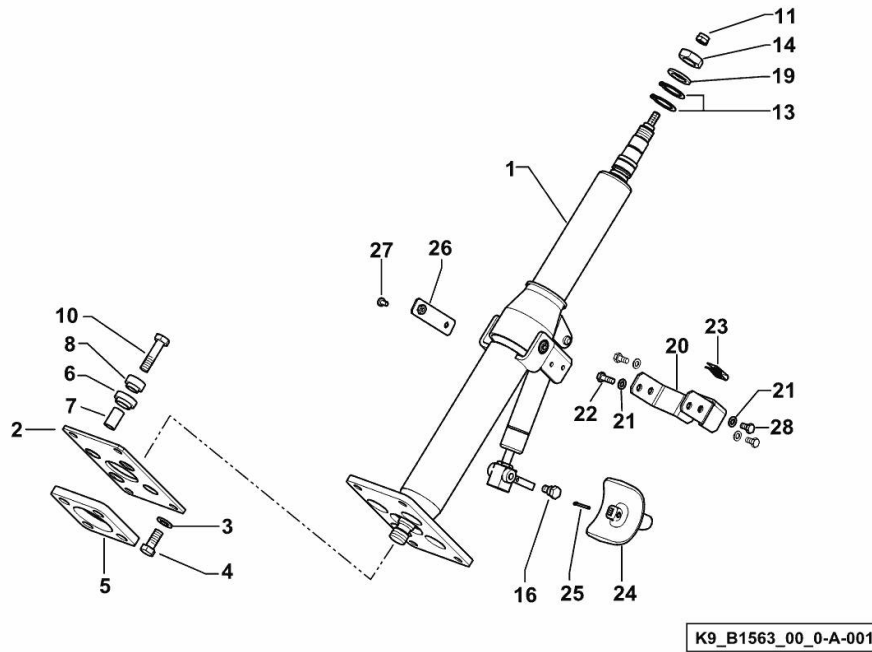
K9_B1561_00_0-A-001

STEERING COLUMN

Fig.	P/n	QTY	Name
------	-----	-----	------

Notes:

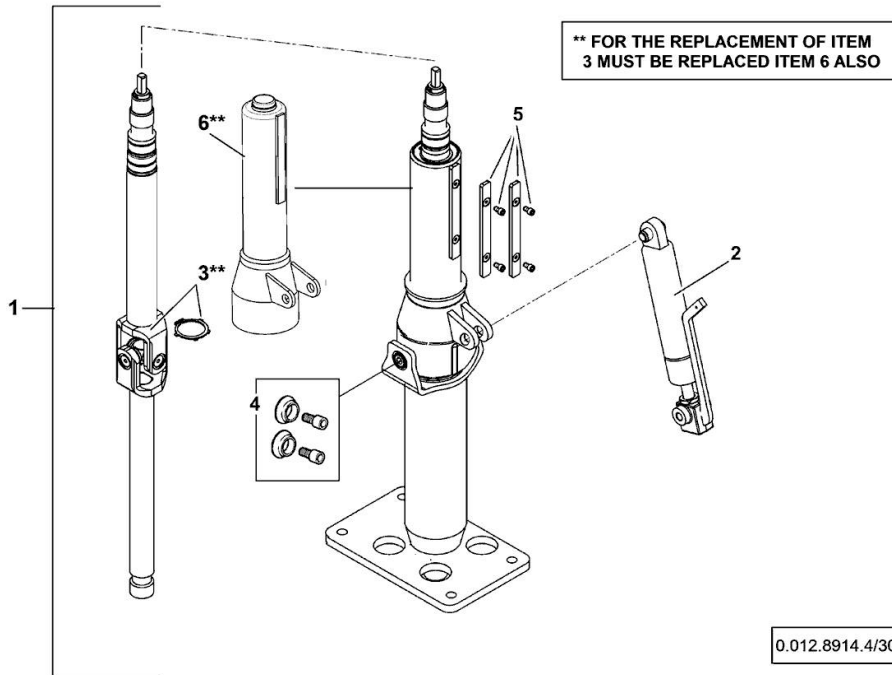
[Agrotron K 120 Profiline -> 8162 1001]



1	0.012.8914.4/30	1	steering column (1436 <-) ☞ 0.012.8914.4/30
1	0.014.8754.4/10	1	steering column (-> 1427) ☞ 0.014.8754.4/10
2	0.010.7445.0/10	1	plate
3	2.1310.006.2	4	flat washer 10.5x21
4	2.0114.307.2	4	screw m 10 x 20, d933
5	04355546	1	plate
6	04355695	4	spacer
7	04386557	4	spacer
8	04355682	4	spacer
10	2.0114.315.2	4	screw m 10 p.1.5 x 40
11	2.1120.105.2	1	self-locking nut m 8 p.1.25
13	2.1410.010.7	2	circlip 25
14	2.1011.510.2	1	nut m 18 p.1.5
16	2.0119.243.2	2	screw m 8 p1.25x16
19	2.1470.010.2	1	lock washer 18
20	0.013.2548.0/10	1	bracket
21	2.1475.201.2	4	washer 6.4x12
22	2.0112.005.2	1	screw m 6 p.1 x 16
23	2.6999.035.0	1	clip
24	0.013.2547.0/10	1	lever
25	2.1690.408.2	1	split pin 4 x 20
26	0.014.3119.3	1	plate
27	2.0330.302.2	1	screw m 5x8
28	2.0112.003.2	3	screw m 6 p.1 x 12

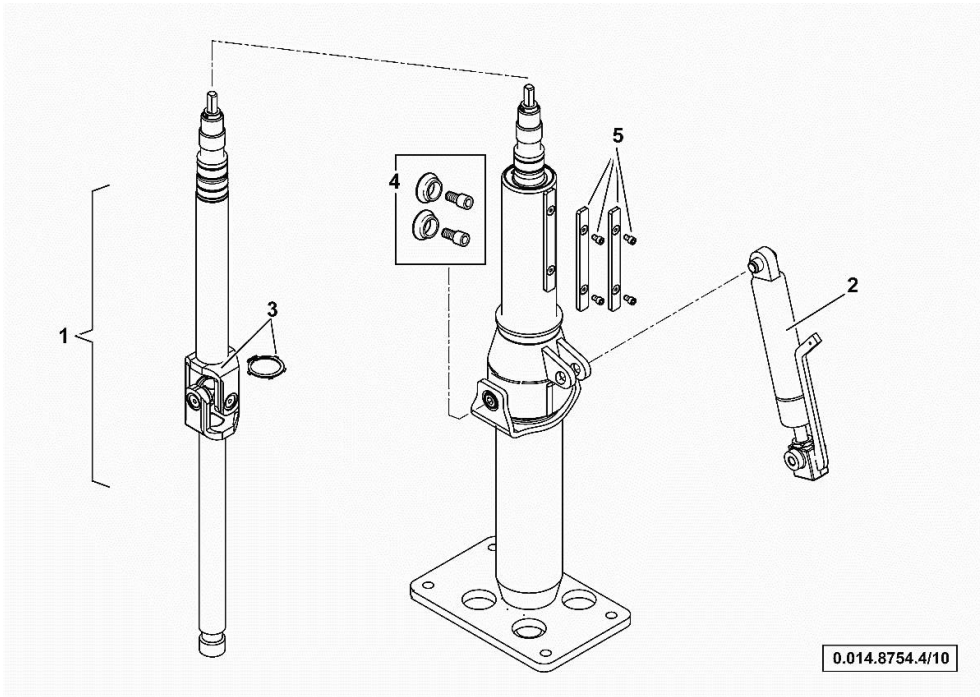
STEERING COLUMN

Fig.	P/n	QTY	Name											
1	0.012.8914.4/30	1	steering column											
2	0.900.0305.8	1	spring											
3	0.900.0454.6	1 <td shaft	4	0.900.0063.7	1	pin	5	0.010.3701.0	1	stick	6	0.900.2336.3	1	spare parts kit
4	0.900.0063.7	1	pin											
5	0.010.3701.0	1	stick											
6	0.900.2336.3	1	spare parts kit											



STEERING COLUMN

Fig.	P/n	QTY	Name
1	0.014.8754.4/10	1	steering column
2	0.900.0305.8	1	spring
3	0.900.0454.6	1	shaft
4	0.900.0063.7	1	pin
5	0.010.3701.0	1	stick

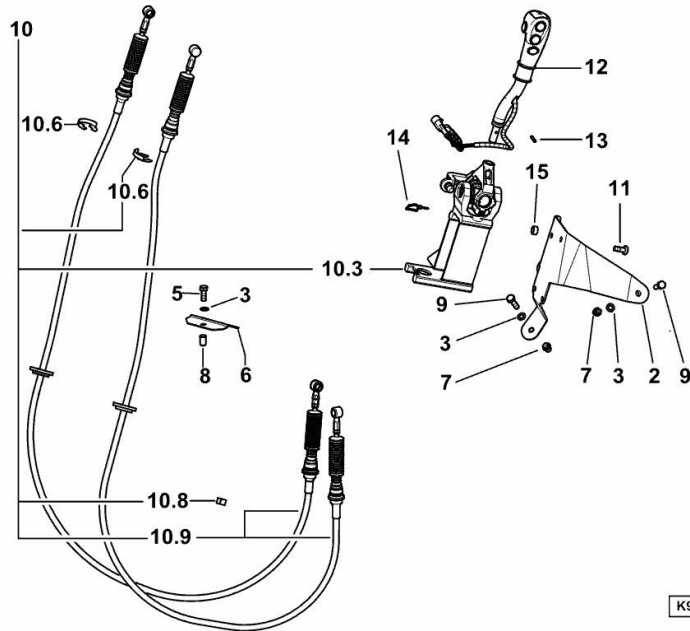


GEAR SHIFTING

Fig.	P/n	QTY	Name
------	-----	-----	------

Notes:

[Agrotron K 120 Profiline -> 8162 1001]



K9_B1564_00_0-A-001

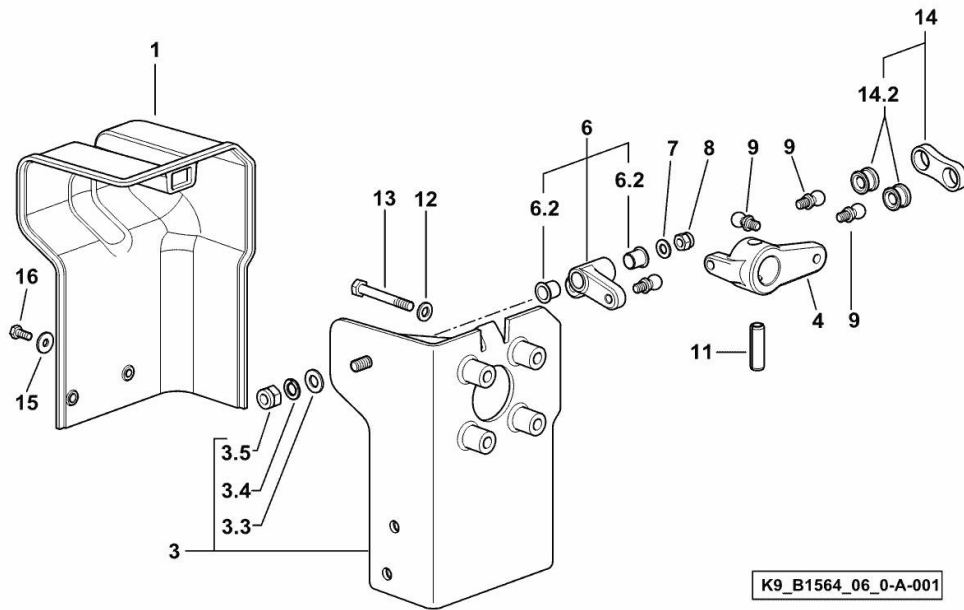
2	0.013.7133.2/10	1	support
3	2.1470.004.2	4	lock washer 8
5	2.0112.208.2	1	screw m 8 p.1.25 x 22
6	0.013.0713.0	1	bracket
7	0.012.9034.0	3	insert m 8
8	2.1142.011.2	1	insert m 8
9	2.0112.211.2	3	screw m 8 p.1.25 x 30
10	0.013.7177.4/20	1	group switching
10.3	0.013.3454.4	1	console (1380 <-)
			☞ 0.013.3454.4
10.3	0.013.3454.4/10	1	console (-> 1381)
10.6	04418159	2	circlip
10.8	2.9939.052.0	1	plate
10.9	0.014.1376.3	2	rod
			☞ 0.014.1376.3
11	2.0330.507.2	4	screw m 8 p.1.25 x 20
12	0.014.4950.4	1	gear lever
			☞ 0.014.4950.4
13	2.1630.450.2	1	pin 4x22
14	2.6852.001.0	1	clamp 99 x 2.5
15	2.1549.632.2	4	spacer (-> 1381)

DRIVE FOR GEAR CHANGE BOX

Fig.	P/n	QTY	Name
------	-----	-----	------

Notes:

[Agrotron K 120 Profiline -> 8162 1001]



1	0.014.1790.0/40	1	hood
3	0.014.1944.4	1	console
3.3	2.1310.006.2	1	flat washer 10.5x21
3.4	2.1474.010.2	1	washer 10
3.5	2.1120.006.2	1	nut m 10 p.1.5
4	0.014.1942.0/30	1	lever
6	0.014.1949.3/30	1	gear lever
6.2	2.2841.043.0	2	bushing 12 x 14 x 15
7	2.1310.004.2	1	flat washer 8.4x17
8	2.1120.005.2	1	nut m 8 p.1.25
9	0.014.1947.0	4	small pin
11	2.1630.915.2	1	roll pin 12x40
12	2.1475.202.2	4	spring washer 8.4 x 16
13	2.0112.221.2	4	screw m 8 p.1.25 x 60
14	0.014.1951.3/10	1	small lever
14.2	0.255.6454.0	2	pin seat
15	2.1312.003.2	2	washer 6
16	2.0112.004.2	2	screw m 6 p.1 x 14

Buy Now



Our support email:

ebooklibonline@outlook.com