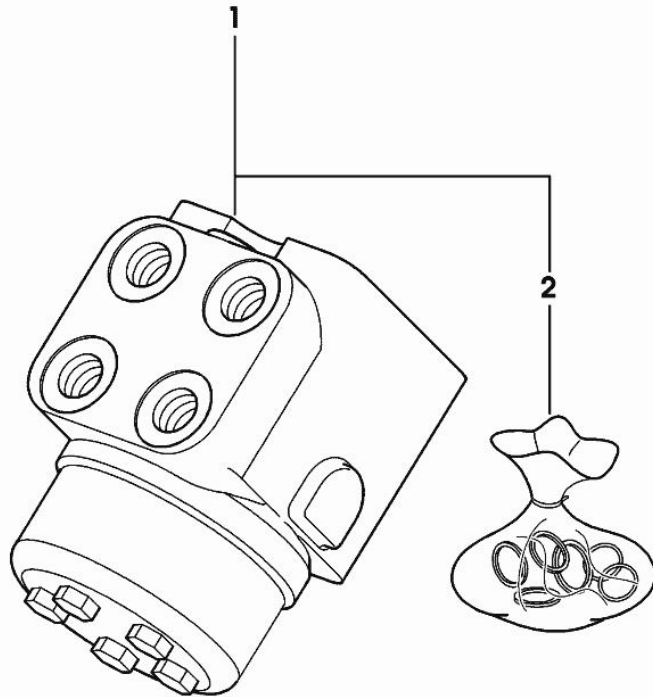


**HYDRAULIC PUMP**

Fig.	P/n	QTY	Name
1	04453673	1	power steering - SAUER DANFOSS OSPC 125 OR
2	0.003.5059.3	1	seal ring kit



04453673

AGROTRON K 420 PROFILINE ->ZKDL520400TD15001

Section: H0 - HYDRAULIC AND PNEUMATIC SYSTEM]

Ref: H0.03.0 (1)

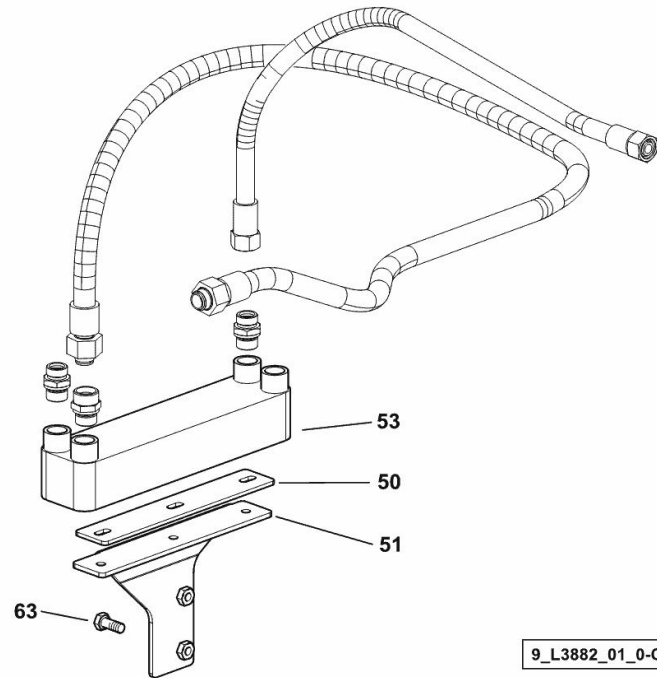
**GEARBOX OIL COOLER**

Fig.	P/n	QTY	Name
------	-----	-----	------

**Notes:**

[AGROTRON K 420 PROFILINE ->ZKDL520400TD15001] 15040 <-

50	04454594/20	1	rubber band
51	04453930/40	1	support
53	04453991	1	oil cooler
63	2.0114.309.2	2	screw m 10 p 1.25 x 25



9\_L3882\_01\_0-C-001

**AGROTRON K 420 PROFILINE ->ZKDL520400TD15001**

Section: H0 - HYDRAULIC AND PNEUMATIC SYSTEM]

Ref: H0.03.1 (1)

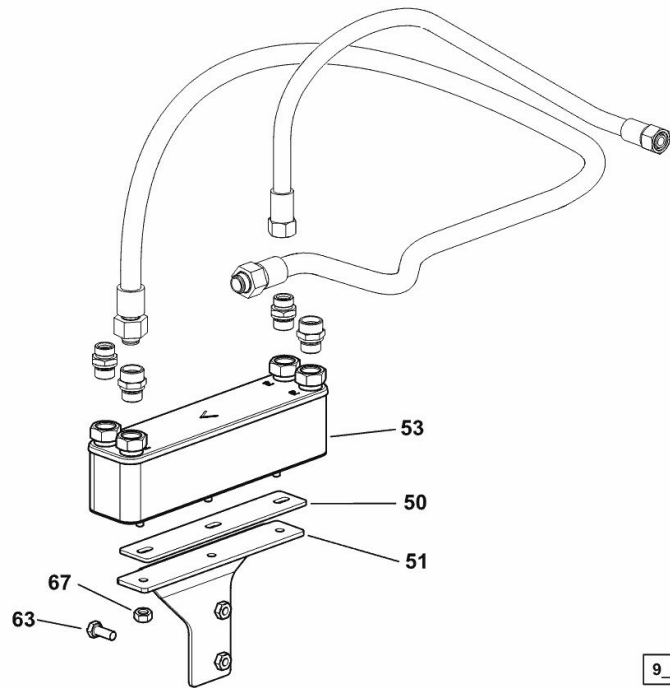
**GEARBOX OIL COOLER**

Fig.	P/n	QTY	Name
------	-----	-----	------

**Notes:**

[AGROTRON K 420 PROFILINE ->ZKDL520400TD15001] -> 15046

50	04454594/20	1	rubber band
51	04453930/60	1	support
53	0.019.0781.4	1	oil cooler
63	2.0114.309.2	2	screw m 10 p 1.25 x 25
67	2.1120.005.2	5	nut m 8 p.1.25



9\_L4182\_01\_0-C-001

AGROTRON K 420 PROFILINE ->ZKDL520400TD15001

Section: H0 - HYDRAULIC AND PNEUMATIC SYSTEM]

Ref: H0.03.3 (1)

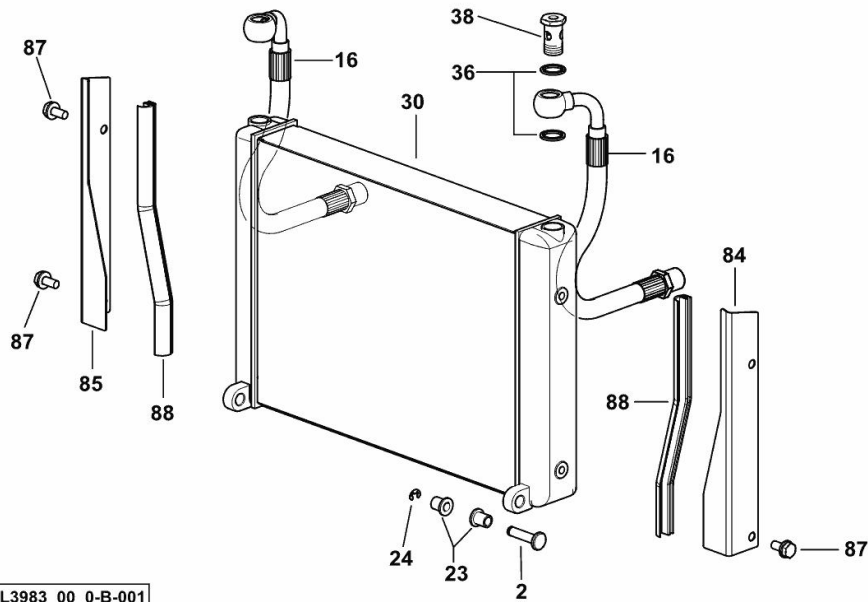
**OIL COOLER**

Fig.	P/n	QTY	Name
------	-----	-----	------

**Notes:**

[AGROTRON K 420 PROFILINE ->ZKDL520400TD15001]

2	0.014.4027.0	4	pin
16	0.014.2857.3/20	2	flexible hose
23	2.1559.147.0	9	bushing
24	2.1430.009.2	5	ring 8
30	0.014.3272.4	1	oil cooler
36	04454693	4	oil seal
38	04455305	2	screw
84	04454233	1	support
85	04454234	1	support
87	2.0114.307.2	3	screw m 10 x 20, d933
88	0.014.8333.0	2	gasket



9\_L3983\_00\_0-B-001

AGROTRON K 420 PROFILINE ->ZKDL520400TD15001

Section: H0 - HYDRAULIC AND PNEUMATIC SYSTEM]

Ref: H0.03.4 (1)

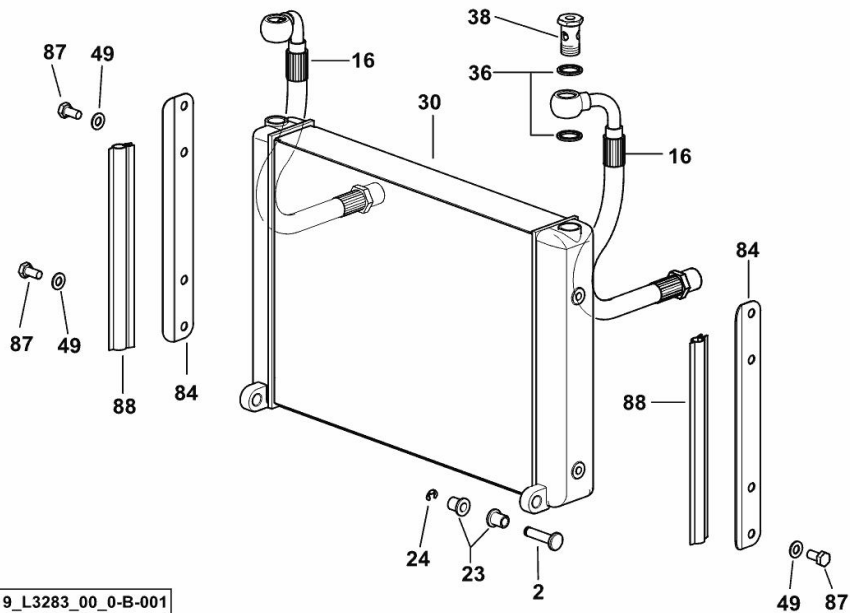
**OIL COOLER**

Fig.	P/n	QTY	Name
------	-----	-----	------

**Notes:**

[AGROTRON K 420 PROFILINE ->ZKDL520400TD15001]

2	0.014.4027.0	4	pin
16	0.014.2857.3/20	2	flexible hose
23	2.1559.147.0	9	bushing
24	2.1430.009.2	5	ring 8
30	0.016.1580.4	1	oil cooler
36	2.1561.012.0	4	gasket
38	2.3335.009.2	2	pipe union m 22 p.1.5 x 39
49	2.1310.006.2	5	flat washer 10.5x21
84	0.016.0929.0	2	bracket
87	2.0114.307.2	3	screw m 10 x 20, d933
88	0.014.4529.0	2	gasket mm 260



9\_L3283\_00\_0-B-001

AGROTRON K 420 PROFILINE ->ZKDL520400TD15001

Section: H0 - HYDRAULIC AND PNEUMATIC SYSTEM]

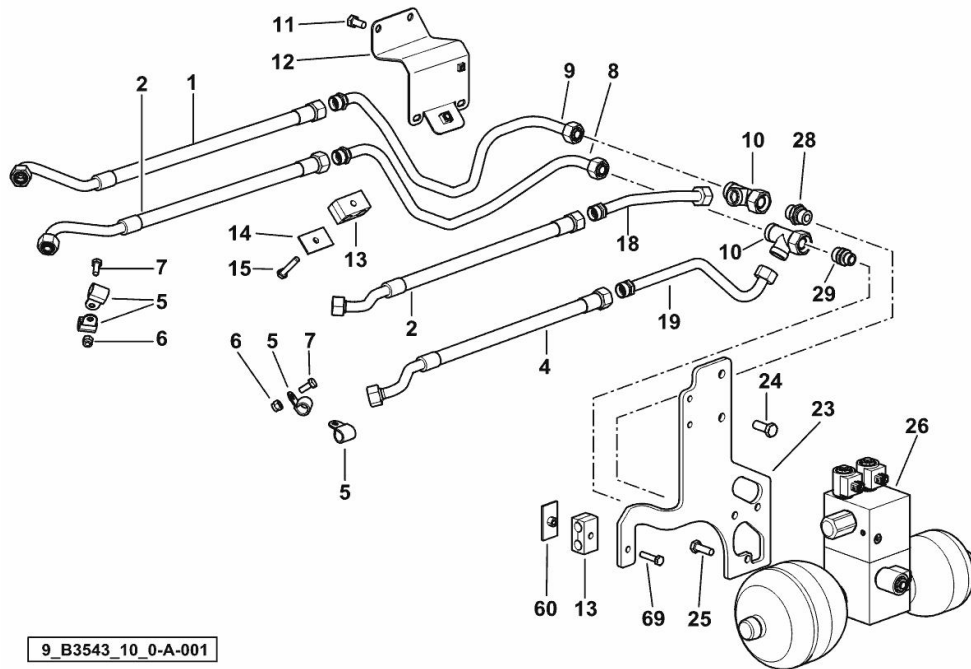
Ref: H0.04.0 (1)

HYDRAULIC SYSTEM FOR SUSPENDED AXLE

Fig.	P/n	QTY	Name
------	-----	-----	------

Notes:

[AGROTRON K 420 PROFILINE ->ZKDL520400TD15001]



1	04438085/10	1	tube
2	04438086/10	2	tube
4	04437749/10	1	tube
5	01174437	4	clamp
6	2.1120.005.2	2	nut m 8 p.1.25
7	2.0114.207.2	2	screw m 8 p.1.25 x 20
8	04455567	1	tube
9	04455566	1	tube
10	01173233	2	pipe fitting
11	2.0114.307.2	2	screw m 10 x 20, d933
12	04452133.3/10	1	support
13	01175727	4	terminal
14	01175670	1	small plate
15	2.0114.216.2	1	screw m 8 x 45
18	04455564	1	tube
19	04455565	1	tube
23	04455506.3	1	bracket
24	2.0114.411.2	4	screw m 12 p.1.75 x 30
25	2.0112.307.2	3	screw m 10 p.1.5 x 20
26	04455149/40	1	accumulator kpl. ☞ 04455149/40
28	01179203	1	pipe fitting m 22 p.1.5x15
29	01177226	1	pipe fitting m 18 p.1.5 x 15
60	01180338	1	small plate
69	2.0114.213.2	1	screw m 8 x 35

9\_B3543\_10\_0-A-001

AGROTRON K 420 PROFILINE ->ZKDL520400TD15001

Section: H0 - HYDRAULIC AND PNEUMATIC SYSTEM|

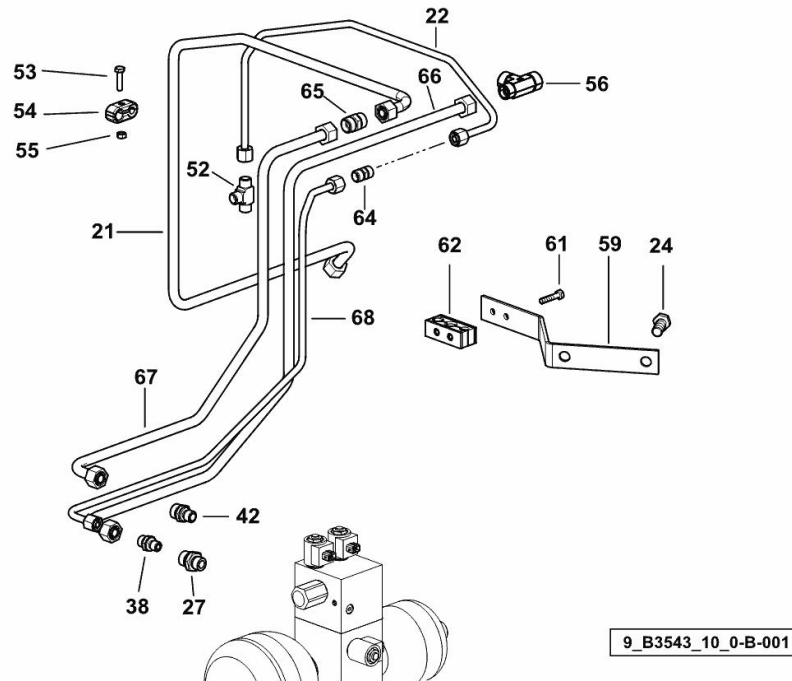
Ref: H0.04.1 (1)

HYDRAULIC SYSTEM FOR SUSPENDED AXLE

Fig.	P/n	QTY	Name
------	-----	-----	------

Notes:

[AGROTRON K 420 PROFILINE ->ZKDL520400TD15001] 15133 <-



21	04455558	1	tube
22	04455559/10	1	tube
24	2.0114.411.2	4	screw m 12 p.1.75 x 30
27	01180559	1	pipe fitting
38	01180557	1	pipe fitting m 12 p.1.5x8
42	04453868	1	pipe fitting m 14 p.1.5
52	04427045	1	pipe fitting T
53	2.0112.009.2	2	screw m 6 p.1 x 25
54	04454482	2	fascia
55	2.1011.103.2	2	nut m 6 p.1
56	04454002/10	1	reduction
59	04455560	1	bracket
61	2.0114.011.2	2	screw m 6 p.1x30
62	04454113	1	fascia Ø12 / Ø12 / Ø8
64	04455444	1	pipe fitting
65	01116709	1	pipe fitting 12 L
66	04455555	1	tube
67	04455557	1	tube
68	04455556	1	tube

9\_B3543\_10\_0-B-001

**Buy Now**



Our support email:

[ebooklibonline@outlook.com](mailto:ebooklibonline@outlook.com)