

AGROTRON K 430 -> ZKDL410400TD10001

Section: H0 - HYDRAULIC AND PNEUMATIC SYSTEM]

Ref: H0.07.10 (1)

8-WAY AUXILIARY DISTRIBUTOR

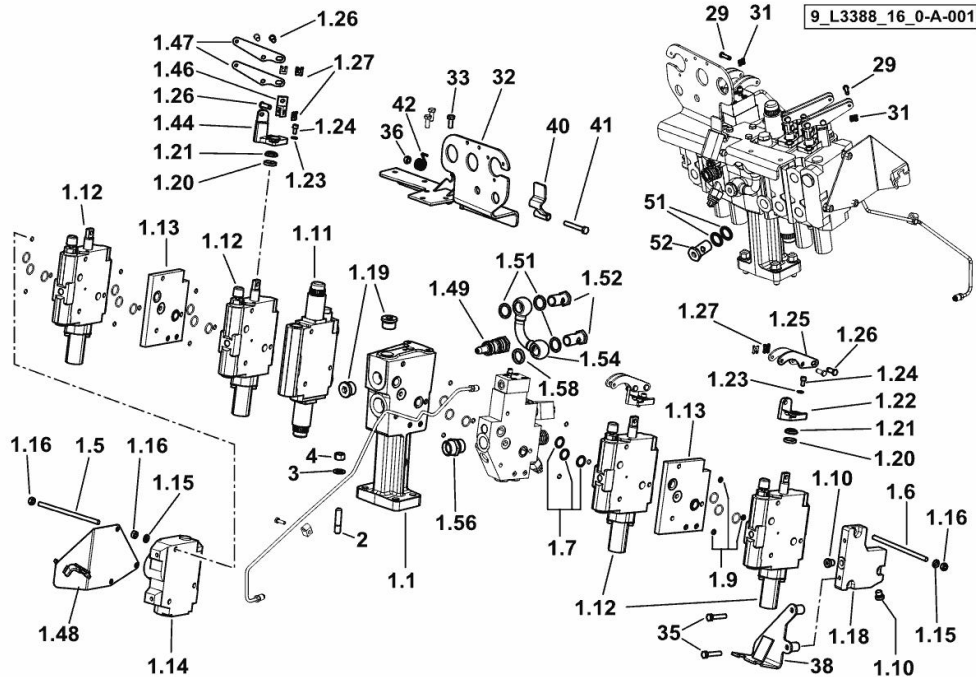


Fig.	P/n	QTY	Name
------	-----	-----	------

Notes:

ITALY - WITH HYDRAULIC TRAILER BRAKING - FOR TYPES WITH MEDIUM HYDRAULIC SYSTEM

[AGROTRON K 430 -> ZKDL410400TD10001] -> 10474

1.1	04453409.4/10	1	spool valve
1.5	2.0433.035.2	3	stud bolt m 8 p.1x200
1.6	2.0433.031.2	3	stud bolt m 8 p.1x160
1.7	2.1531.048.0	15	oil seal 18.72x2.62
1.9	2.1589.471.0	15	shim 8.1x11.8x0.04
1.10	04454628	2	plug m 12 p.1.5
1.11	04428917.4	1	valve
	☞ 04428917.4		
1.12	2.3729.480.0	4	spool valve
	☞ 2.3729.480.0		
1.13	0.012.2329.0/10	2	plate 13 mm
1.14	2.3729.520.0/10	1	plate
	☞ 2.3729.520.0/10		
1.15	2.1475.102.2	6	washer 8.4 x 16
1.16	2.1019.174.2	9	nut m8 p.1
1.18	04455414/10	1	plate
1.19	04451879	2	plug m 27 p.2
1.20	0.011.9918.0	4	spacer 18.6 x 25 x 4.3
1.21	0.011.9929.0	4	ring
1.22	04455439	2	bearing block
1.23	2.1474.007.2	8	washer 6, d128
1.24	2.0319.017.6	8	screw m 6 p.1.0 x 16
1.25	04455453	4	bracket
1.26	04402646	10	pin 8x25
1.27	01176237	10	guard
1.44	04455440	2	bearing block
1.46	04455413	2	pin
1.47	04455406	4	lever
1.48	0.016.0308.2/10	1	bracket
1.49	04454541	1	valve
1.51	01173526	3	ring 22.7 x 30 x 2
1.52	2.3335.009.2	2	pipe union m 22 p.1.5 x 39
1.54	0.016.0488.2/10	1	tube
1.56	04454007	1	pipe union
1.58	2.1549.649.0	1	spacer
2	2.0432.259.7	4	stud bolt m 12 p.1.75-1.25x35
3	2.1475.004.2	4	spring washer 12
4	2.1011.422.2	4	nut m 12 p.1.25
29	2.1699.497.2/20	4	pin
31	01175725	4	clip 6, d128

8-WAY AUXILIARY DISTRIBUTOR

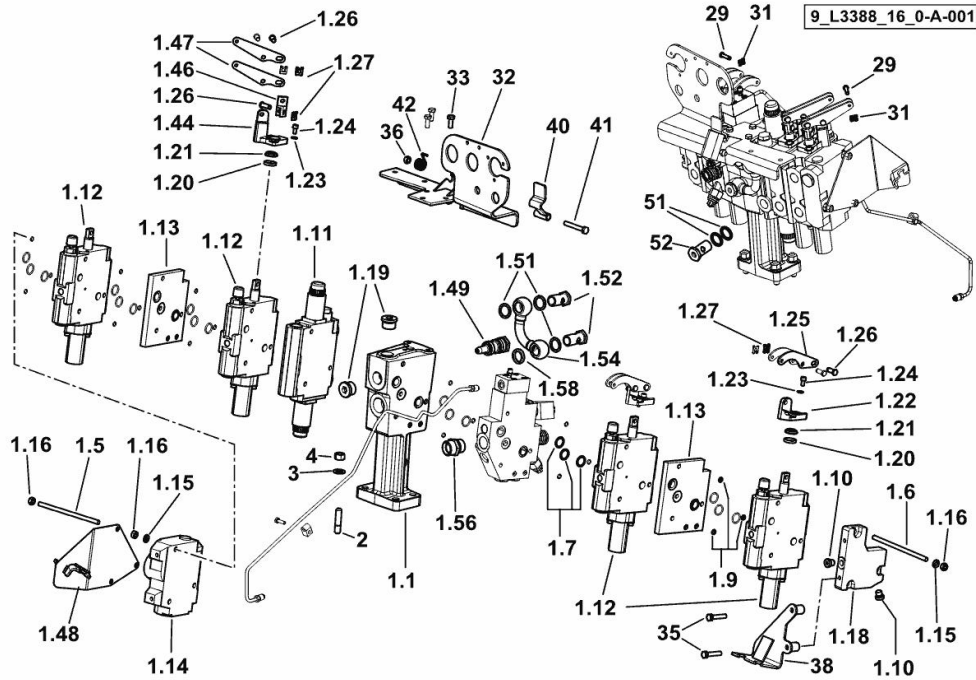


Fig.	P/n	QTY	Name
32	04452891.3/70	1	support
33	2.0114.207.2	3	screw m 8 p.1.25 x 20
35	2.0112.215.2	2	screw m 8 p.1.25 x 40
36	01136452	1	nut vm 8 d980
38	04455402.3/10	1	support
40	04451512.4	1	lever
41	2.0112.220.2	1	screw m 8 p.1.25x55
42	04315063	1	spring
51	2.1561.012.0	2	gasket
52	2.3335.009.2	1	pipe union m 22 p.1.5 x 39

AGROTRON K 430 -> ZKDL410400TD10001

Section: H0 - HYDRAULIC AND PNEUMATIC SYSTEM|

Ref: H0.07.11 (1)

8-WAY AUXILIARY DISTRIBUTOR

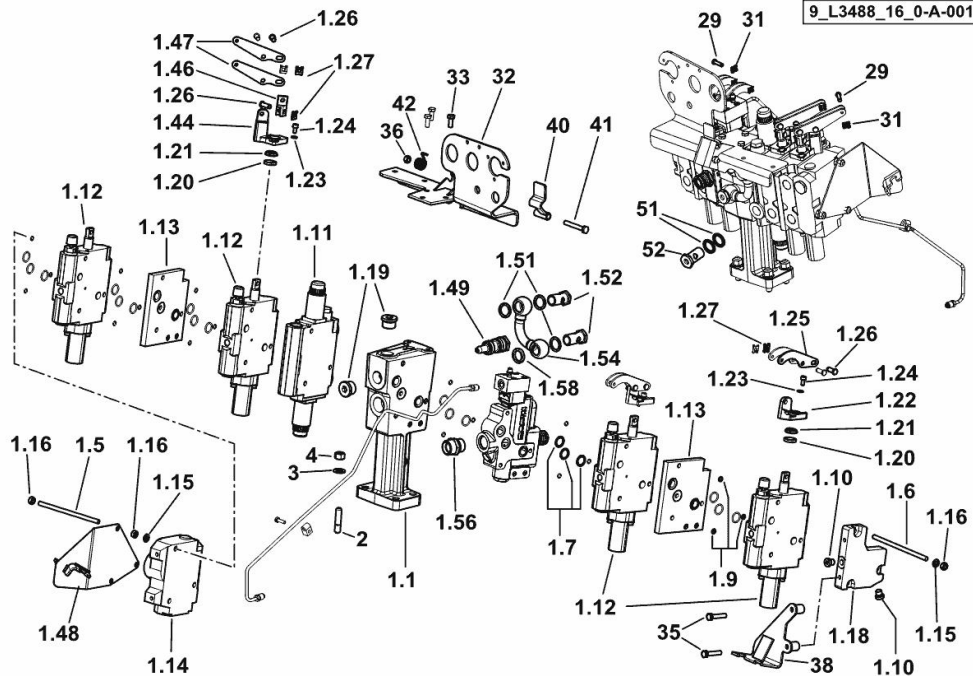


Fig.	P/n	QTY	Name
------	-----	-----	------

Notes:

- WITH HYDRAULIC BRAKING FOR FRENCH TRAILER AND FOR MEDIUM HYDRAULIC SYSTEM
[AGROTRON K 430 -> ZKDL410400TD10001] -> 10388

1.1	04453409.4/10	1	spool valve
1.5	2.0433.035.2	3	stud bolt m 8 p.1x200
1.6	2.0433.031.2	3	stud bolt m 8 p.1x160
1.7	2.1531.048.0	15	oil seal 18.72x2.62
1.9	2.1589.471.0	15	shim 8.1x11.8x0.04
1.10	04454628	2	plug m 12 p.1.5
1.11	04428917.4	1	valve ☞ 04428917.4
1.12	2.3729.480.0	4	spool valve ☞ 2.3729.480.0
1.13	0.012.2329.0/10	2	plate 13 mm
1.14	2.3729.520.0/10	1	plate ☞ 2.3729.520.0/10
1.15	2.1475.102.2	6	washer 8.4 x 16
1.16	2.1019.174.2	9	nut m8 p.1
1.18	04455414/10	1	plate
1.19	04451879	2	plug m 27 p.2
1.20	0.011.9918.0	4	spacer 18.6 x 25 x 4.3
1.21	0.011.9929.0	4	ring
1.22	04455439	2	bearing block
1.23	2.1474.007.2	8	washer 6, d128
1.24	2.0319.017.6	8	screw m 6 p.1.0 x 16
1.25	04455453	4	bracket
1.26	04402646	10	pin 8x25
1.27	01176237	10	guard
1.44	04455440	2	bearing block
1.46	04455413	2	pin
1.47	04455406	4	lever
1.48	0.016.0308.2/10	1	bracket
1.49	04454541	1	valve
1.51	01173526	3	ring 22.7 x 30 x 2
1.52	2.3335.009.2	2	pipe union m 22 p.1.5 x 39
1.54	0.016.0488.2/10	1	tube
1.56	04454007	1	pipe union
1.58	2.1549.649.0	1	spacer
2	2.0432.259.7	4	stud bolt m 12 p.1.75-1.25x35
3	2.1475.004.2	4	spring washer 12
4	2.1011.422.2	4	nut m 12 p.1.25
29	2.1699.497.2/20	4	pin
31	01175725	4	clip 6, d128

8-WAY AUXILIARY DISTRIBUTOR

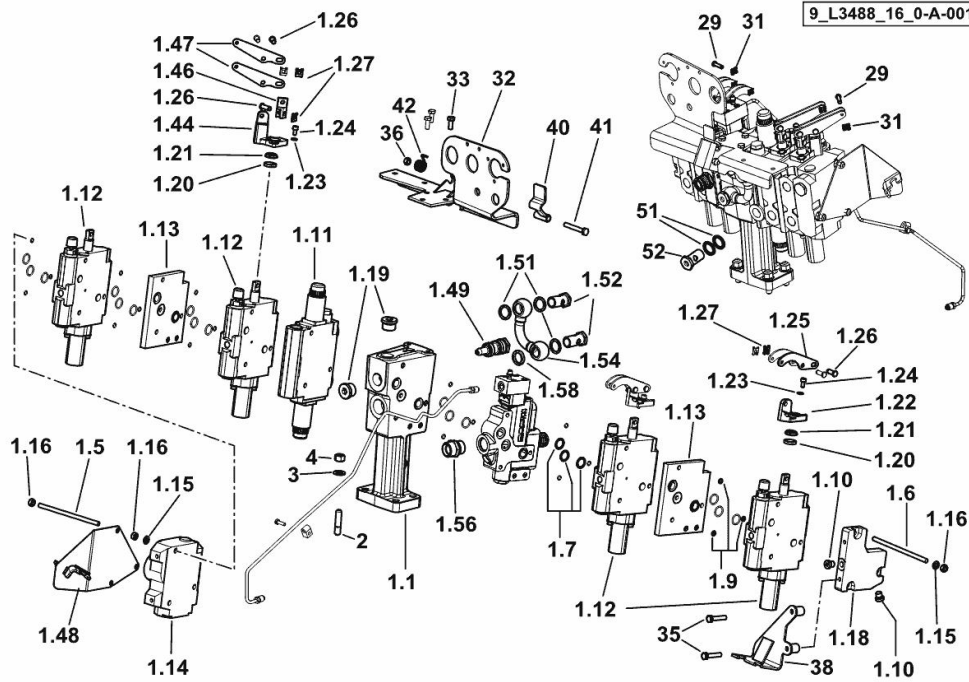


Fig.	P/n	QTY	Name
32	04452891.3/70	1	support
33	2.0114.207.2	3	screw m 8 p.1.25 x 20
35	2.0112.215.2	2	screw m 8 p.1.25 x 40
36	01136452	1	nut vm 8 d980
38	04455402.3/10	1	support
40	04451512.4	1	lever
41	2.0112.220.2	1	screw m 8 p.1.25x55
42	04315063	1	spring
51	2.1561.012.0	2	gasket
52	2.3335.009.2	1	pipe union m 22 p.1.5 x 39

AGROTRON K 430 -> ZKDL410400TD10001

Section: H0 - HYDRAULIC AND PNEUMATIC SYSTEM]

Ref: H0.07.12 (1)

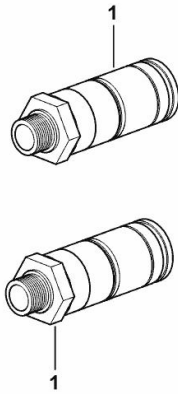
6 WAY QUICK COUPLERS PACKAGE

Fig.	P/n	QTY	Name
------	-----	-----	------

Notes:

[AGROTRON K 430 -> ZKDL410400TD10001]

1	04453631	2	socket ☞ 04453631
---	----------	---	----------------------



9_B1688_26_0-A-001

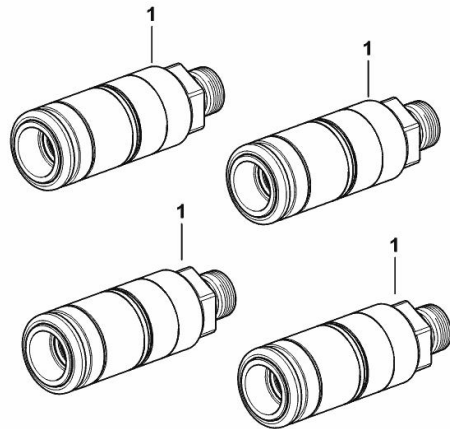
4 REAR QUICK ACTION COUPLERS

Fig.	P/n	QTY	Name
------	-----	-----	------

Notes:

[AGROTRON K 430 -> ZKDL410400TD10001]

1	04412157/10	4	coupling FASTER - m 22 p.1.5 / Ø 38 ☞ 04412157/10
---	-------------	---	--



9_B3588_36_0-A-001

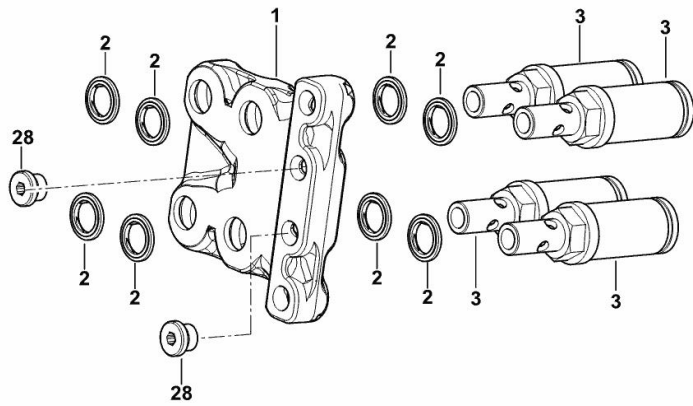
4 REAR QUICK ACTION COUPLERS

Fig.	P/n	QTY	Name
------	-----	-----	------

Notes:

- FOR TYPES WITH MEDIUM HYDRAULIC SYSTEM - WITHOUT FRONT LOADER [AGROTRON K 430 -> ZKDL410400TD10001]

1	04454595/10	1	plate
2	04454693	8	oil seal
3	04454777	4	quick coupling
28	04454782	2	plug m 18 p.1.5



9_B1959_79_0-B-001

Buy Now



Our support email:

ebooklibonline@outlook.com