

SEAT-COMPONENTS

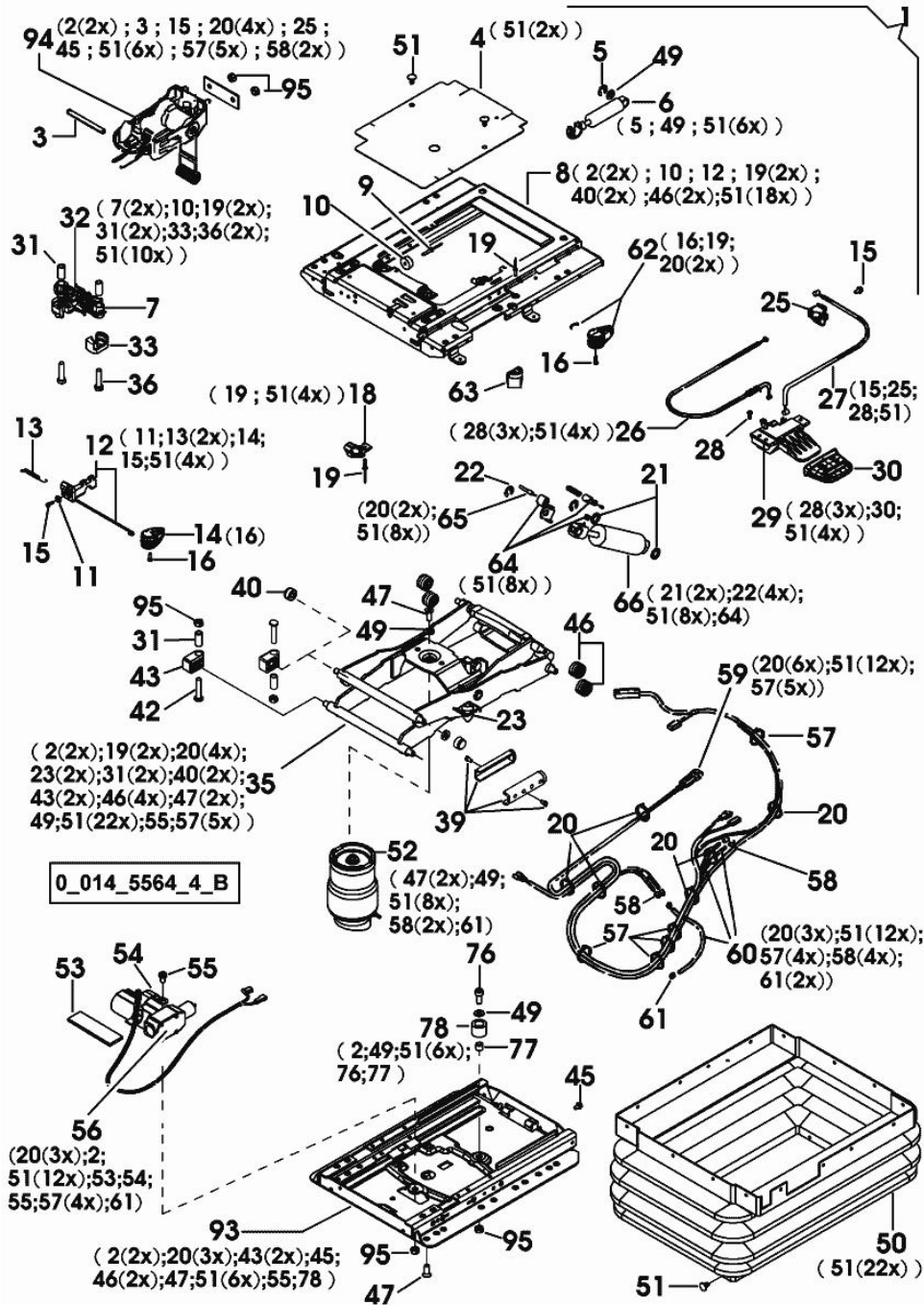


Fig.	P/n	QTY	Name
1	0.010.3076.0	1	seat springs
3	0.000.0000.1	1	cannot be supplied
4	0.010.2277.1	1	cover
5	0.010.3523.0	1	circlip
6	0.900.0133.6	1	shock absorber
7	0.010.2956.0	2	special bushing
8	0.900.0134.4	1	casing
9	0.010.3523.1	1	rivet
10	0.900.0133.7	1	stop
11	0.010.3151.1	1	washer
12	0.900.0133.9	1	lever
13	0.900.0133.8	2	spring
14	0.010.2077.2	1	knob
15	0.010.3523.2	2	screw
16	04402564	2	screw
18	0.010.2271.2	2	ring
19	04418256	3	rivet
20	04418251	9	metal strip
21	0.000.0000.1	2	cannot be supplied
22	0.010.3526.0	2	circlip
23	0.010.2275.1	2	stop
25	04402582	1	support
26	0.010.2272.0	1	electric cable
27	0.010.3077.0	1	electric cable
28	0.010.2943.1	3	screw
29	0.010.2272.2	1	lever
30	0.010.3526.1	1	grip
31	0.010.2955.2	4	tube
32	0.900.0134.0	1	seat support
33	0.010.2956.1	1	support
35	0.900.0131.5	1	chassis frame
36	0.900.0131.4	2	screw
39	0.900.0134.3	1	accessories
40	0.010.3526.2	2	roller
42	0.000.0000.1	2	cannot be supplied
43	0.010.2959.1	2	support
45	0.000.0000.1	1	cannot be supplied
46	04402577	4	roller
47	0.000.0000.1	2	cannot be supplied
49	0.000.0000.1	3	cannot be supplied
50	0.010.3907.2	1	guard
51	0.000.0000.1	24	cannot be supplied
52	0.900.0131.6	1	spring
53	0.000.0000.1	1	cannot be supplied

SEAT-COMPONENTS

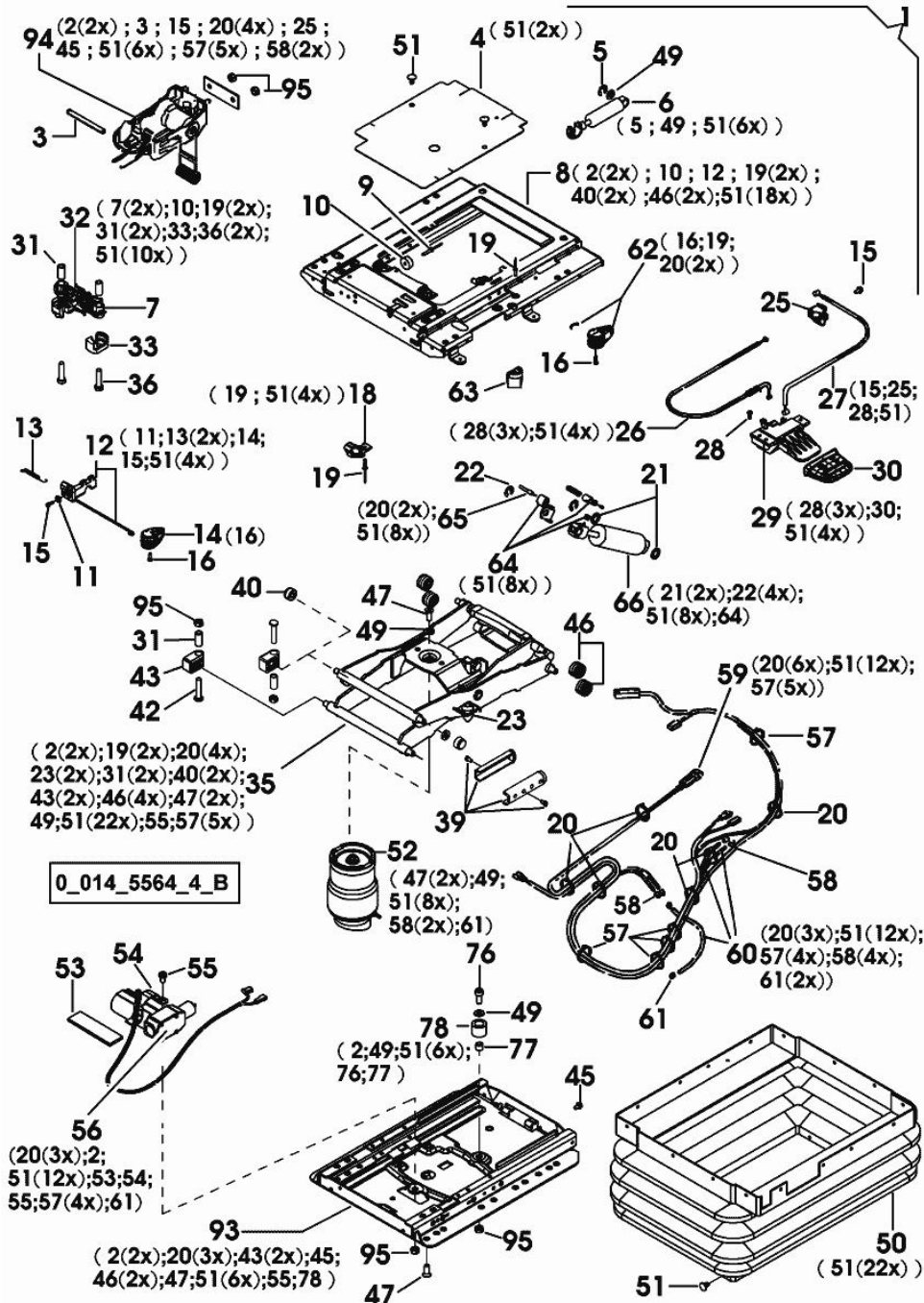


Fig.	P/n	QTY	Name
54	0.000.0000.1	1	cannot be supplied
55	0.000.0000.1	1	cannot be supplied
56	0.900.0134.2	1	compressor
57	04418248	4	metal strip
58	04402570	4	bushing
59	0.010.3077.2	1	electric cable
60	0.900.0134.5	1	electric cable
61	0.000.0000.1	2	cannot be supplied
62	0.010.3078.0	1	knob
63	0.010.3544.1	1	pin
64	0.010.3078.1	1	window repair kit
65	0.010.3544.2	1	push-button
66	0.900.0134.6	1	shock absorber
76	0.000.0000.1	1	cannot be supplied
77	0.000.0000.1	1	cannot be supplied
78	0.010.2277.2	1	sub-assy parts
93	0.010.3907.1	1	plate
94	0.900.0132.3	1	lever
95	0.000.0000.1	6	cannot be supplied

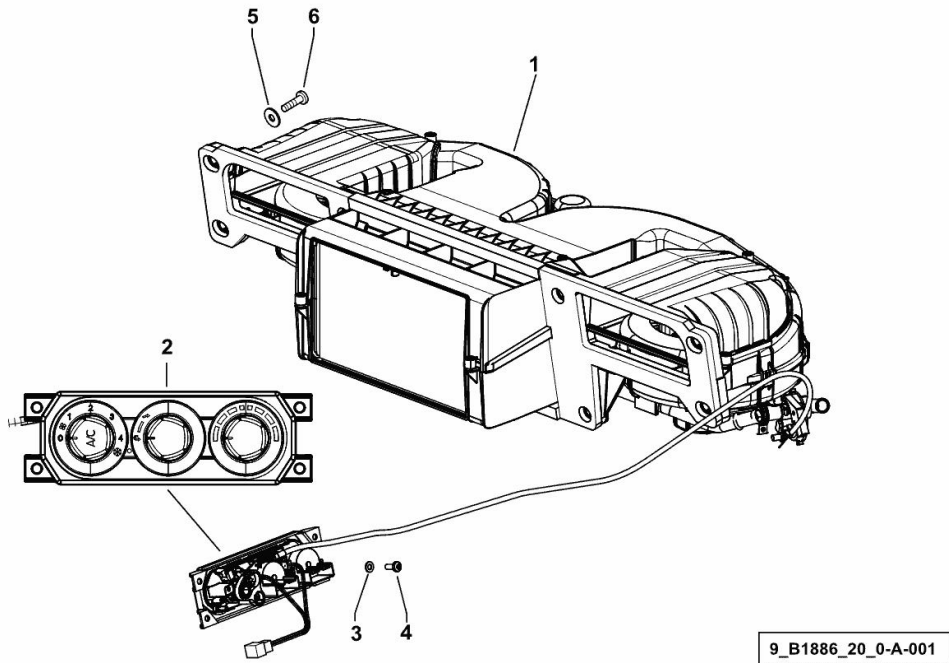
**MANUAL CLIMATE CONTROL SYSTEM**

Fig.	P/n	QTY	Name
------	-----	-----	------

**Notes:**

[AGROTRON K 430 PROFILINE ->ZKDL540400TD15001]

1	0.013.5753.4/10	1	air-conditioning sys. ☞ 0.013.5753.4/10
2	0.014.5886.4/10	1	control device ☞ 0.014.5886.4/10
3	2.1310.002.2	4	flat washer 6.4x12.5
4	2.0330.406.2	4	screw m 6 p.1.0 x 16
5	2.1312.004.2	8	washer 8x24x2
6	2.0330.509.2	8	screw m 8 x 30



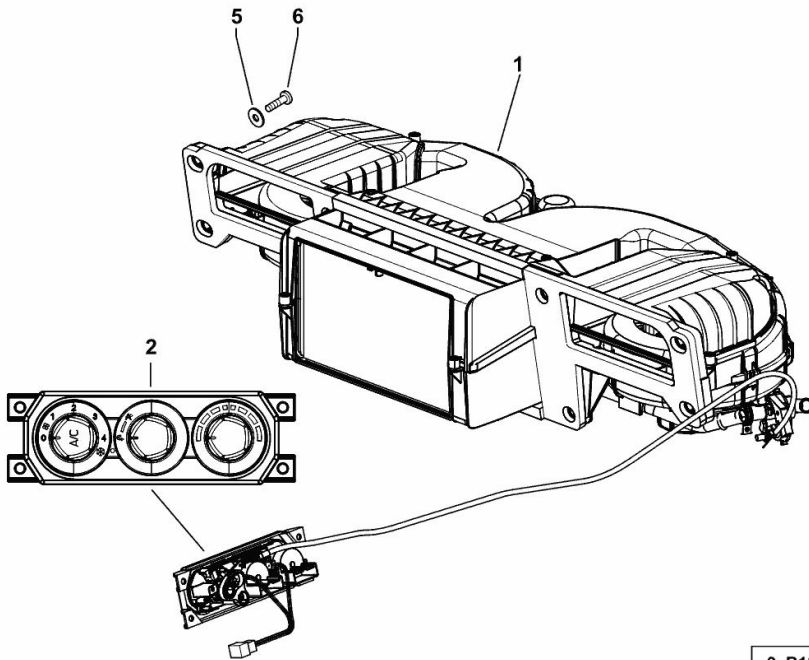
**MANUAL CLIMATE CONTROL SYSTEM**

Fig.	P/n	QTY	Name
------	-----	-----	------

**Notes:**

[AGROTRON K 430 PROFILINE ->ZKDL540400TD15001] -> 15007

1	0.013.5753.4/10	1	air-conditioning sys. ( 15123 <- ) ☞ 0.013.5753.4/10
1	0.013.5753.4/30	1	air-conditioning sys. ( -> 15124 )
2	0.016.0723.4/10	1	control device ( -> 15007 )
5	2.1312.004.2	8	washer 8x24x2
6	2.0330.509.2	8	screw m 8 x 30



9\_B1886\_20\_0-A-002

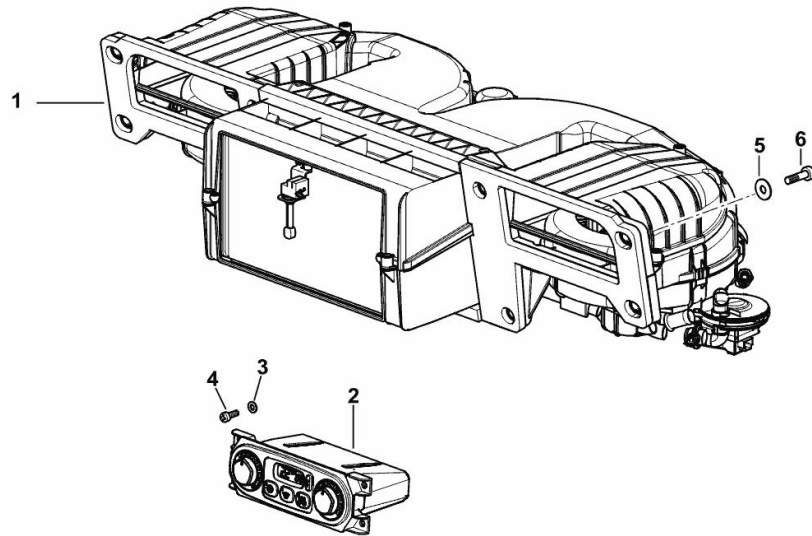
**AUTOMATIC CLIMATE CONTROL SYSTEM**

Fig.	P/n	QTY	Name
------	-----	-----	------

**Notes:**

[AGROTRON K 430 PROFILINE ->ZKDL540400TD15001]

1	0.013.2169.4/10	1	climate control sys. ☞ 0.013.2169.4/10
2	0.013.2179.4/10	1	control device
3	2.1310.002.2	4	flat washer 6.4x12.5
4	2.0330.406.2	4	screw m 6 p.1.0 x 16
5	2.1312.004.2	8	washer 8x24x2
6	2.0330.509.2	8	screw m 8 x 30



9\_B1686\_30\_0-A-001

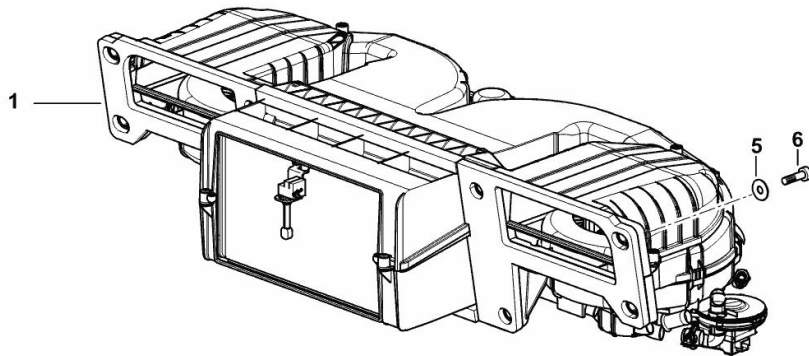
**AUTOMATIC CLIMATE CONTROL SYSTEM**

Fig.	P/n	QTY	Name
------	-----	-----	------

**Notes:**

[AGROTRON K 430 PROFILINE ->ZKDL540400TD15001] -> 15001

1	0.013.2169.4/10	1	climate control sys. ( 15126 <- ) ☞ 0.013.2169.4/10
1	0.013.2169.4/30	1	climate control sys. ( -> 15136 )
5	2.1312.004.2	8	washer 8x24x2
6	2.0330.509.2	8	screw m 8 x 30



9\_B1686\_30\_0-A-002

**AGROTRON K 430 PROFILINE ->ZKDL540400TD15001**

Section: G0 - BODYWORK - CAB

Ref: G0.09.2 (1)

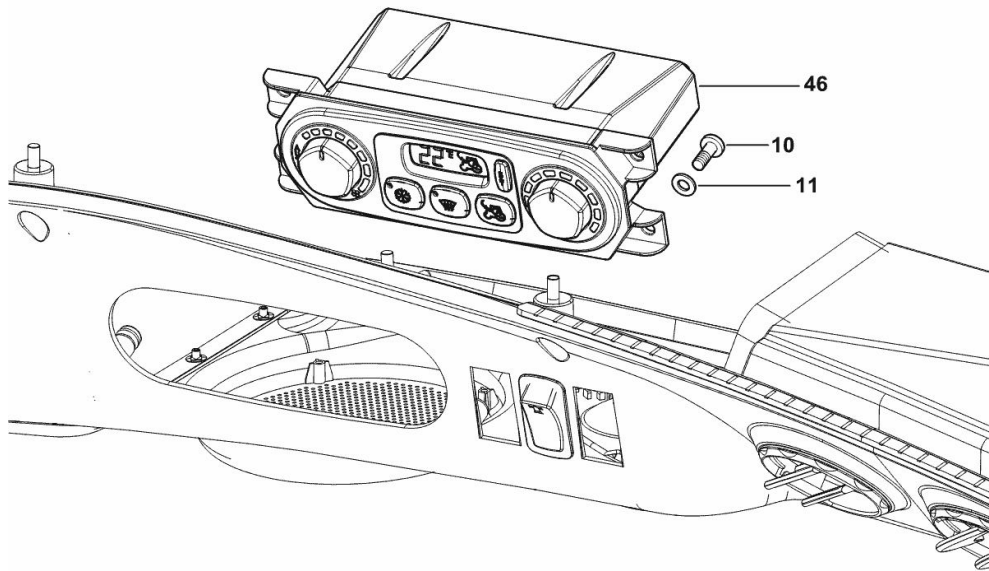
**AUTOMATIC CLIMATE CONTROL**

Fig.	P/n	QTY	Name
------	-----	-----	------

**Notes:**

- WITH AUTOMATIC CLIMATE CONTROL [AGROTRON K 430 PROFILINE ->ZKDL540400TD15001] -> 15001

10	2.1310.002.2	7	flat washer 6.4x12.5
11	2.0330.406.2	12	screw m 6 p.1.0 x 16
46	0.016.0722.4/10	1	controls assembly



9\_B1671\_22\_0-E-001

**Buy Now**



Our support email:

[ebooklibonline@outlook.com](mailto:ebooklibonline@outlook.com)