

AGROTRON K 610 PROFILINE ->ZKDL530400TD15001

Section: G0 - BODYWORK - CAB

Ref: G0.06.14 (2)

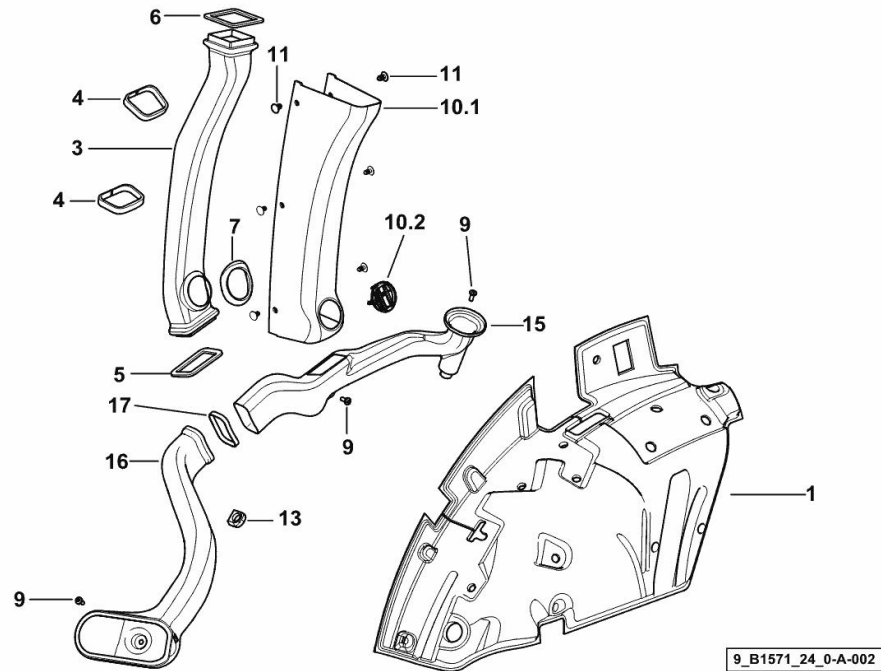
**AIR GUIDANCE - DX/RH/RE**

Fig.	P/n	QTY	Name
------	-----	-----	------

**Notes:**

[AGROTRON K 610 PROFILINE ->ZKDL530400TD15001] 16064 <-

1	0.013.2000.0/30	1	panel
3	0.013.1794.0	1	air duct
4	0.013.3062.0	2	gasket
5	0.013.3064.0	1	gasket
6	0.013.3063.0	1	gasket
7	0.013.3061.0	1	gasket
9	2.0330.507.2	3	screw m 8 p.1.25 x 20
10.1	0.013.2005.0	1	cover
10.2	0.014.2872.2/10	1	vent
11	2.3199.204.0	6	plug 10x22.5x22
13	0.013.2002.0/10	1	gasket
15	0.013.2095.0/10	1	air shaft
16	0.013.2096.0	1	air shaft
17	0.013.2087.0	1	gasket



AGROTRON K 610 PROFILINE ->ZKDL530400TD15001

Section: G0 - BODYWORK - CAB

Ref: G0.06.14 (3)

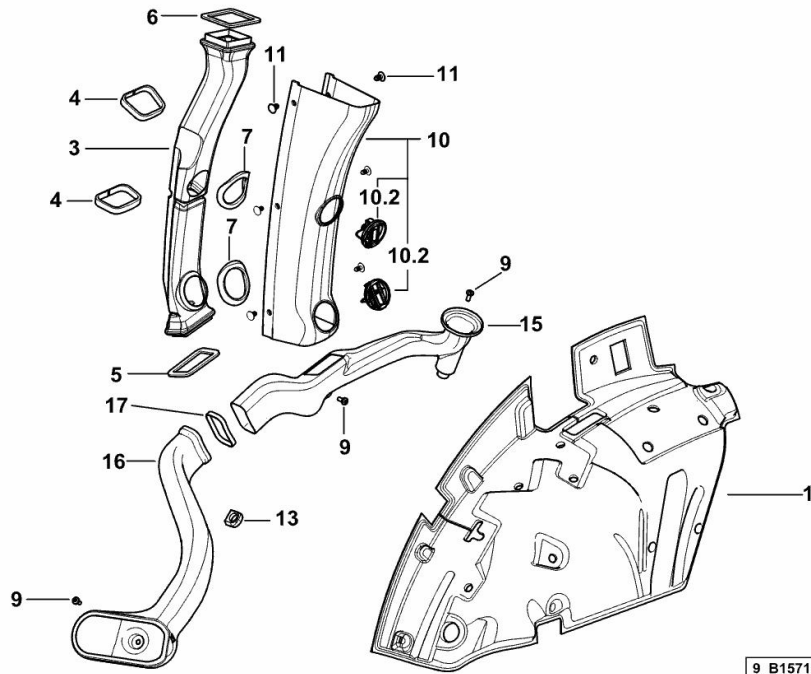
**AIR GUIDANCE - DX/RH/RE**

Fig.	P/n	QTY	Name
------	-----	-----	------

**Notes:**

[AGROTRON K 610 PROFILINE ->ZKDL530400TD15001]

1	0.013.2000.0/30	1	panel
3	0.019.1112.0/20	1	air duct
4	0.013.3062.0	2	gasket
5	0.013.3064.0	1	gasket
6	0.013.3063.0	1	gasket
7	0.013.3061.0	2	gasket
9	2.0330.507.2	3	screw m 8 p.1.25 x 20
10	0.020.2647.4	1	lining
10.2	0.014.2872.2/10	2	vent
11	2.3199.204.0	6	plug 10x22.5x22
13	0.013.2002.0/10	1	gasket
15	0.013.2095.0/10	1	air shaft
16	0.013.2096.0	1	air shaft
17	0.013.2087.0	1	gasket



9\_B1571\_24\_0-A-003

AGROTRON K 610 PROFILINE ->ZKDL530400TD15001

Section: G0 - BODYWORK - CAB

Ref: G0.06.15 (1)

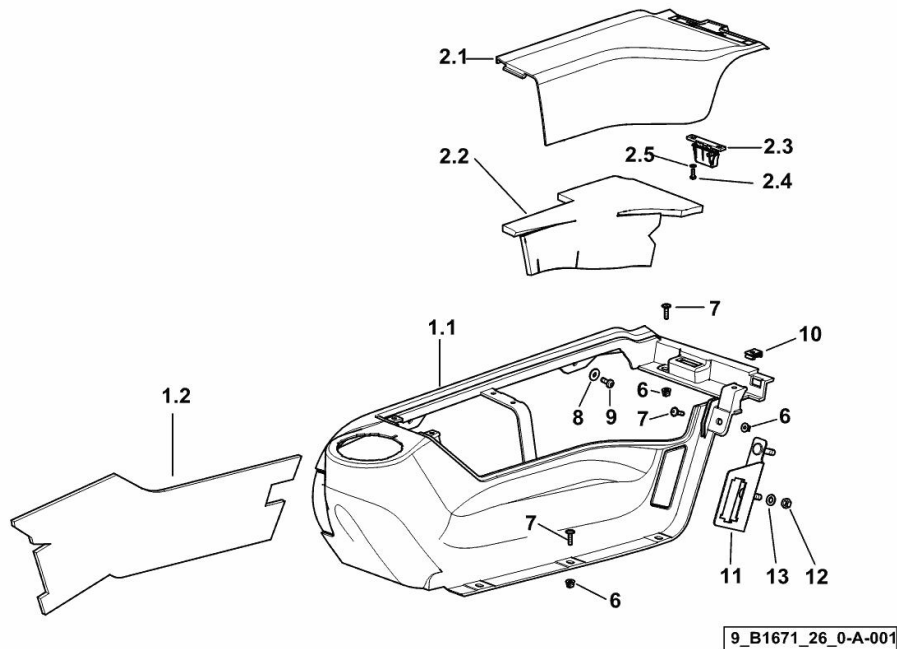
CONNECTOR CONSOLE

Fig.	P/n	QTY	Name
------	-----	-----	------

Notes:

[AGROTRON K 610 PROFILINE ->ZKDL530400TD15001]

1.1	0.013.1983.0/10	1	console
1.2	0.016.0644.0	1	sound deadening
2.1	0.013.8468.2	1	panel
2.2	0.016.0643.0	1	sound deadening
2.3	0.013.2047.0	1	interlock
2.4	2.0330.204.2	2	screw m 4.0 x 12
2.5	2.1310.028.2	2	flat washer
6	2.6999.069.0	5	nut
7	2.0363.209.3	5	screw m 5 x 30
8	2.1312.003.2	2	washer 6
9	2.0330.406.2	2	screw m 6 p.1.0 x 16
10	2.6999.064.6	1	special nut m 6
11	0.013.2101.3	1	bracket
12	2.1011.105.2	2	nut m 8 p.1.25
13	2.1310.004.2	2	flat washer 8.4x17



AGROTRON K 610 PROFILINE ->ZKDL530400TD15001

Section: G0 - BODYWORK - CAB

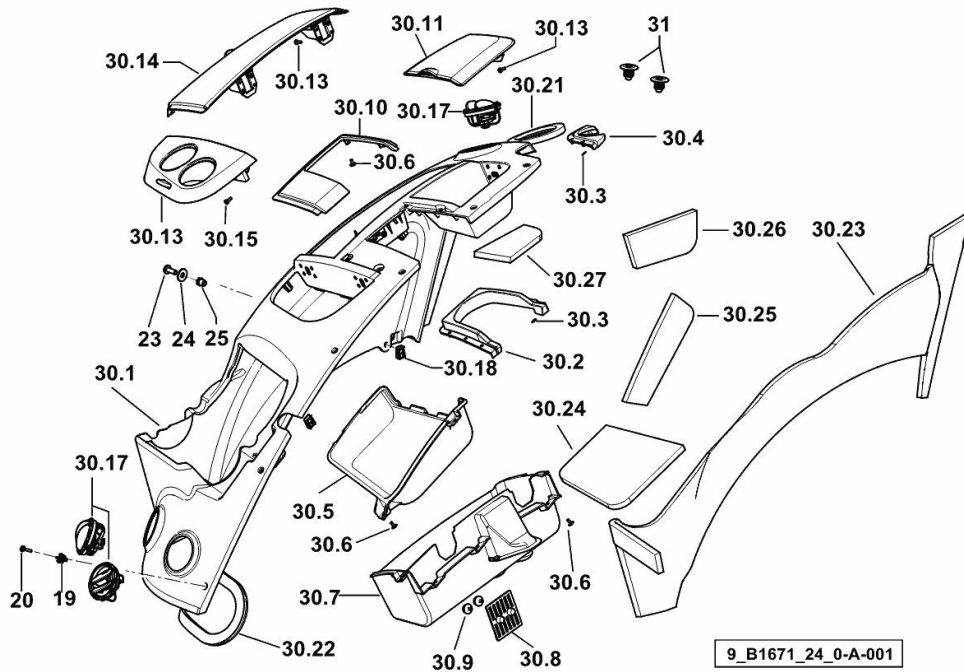
Ref: G0.06.16 (1)

CONTROL CONSOLE SX/LH/LI

Fig.	P/n	QTY	Name
------	-----	-----	------

Notes:

[AGROTRON K 610 PROFILINE ->ZKDL530400TD15001]



19	2.6999.070.0	6	bush
20	2.0363.108.3	6	screw
23	2.0330.507.2	3	screw m 8 p.1.25 x 20
24	2.1312.004.2	3	washer 8x24x2
25	0.012.9034.0	3	insert m 8
30.1	0.013.1998.3/10	1	console
30.2	0.013.1603.0/10	1	gasket
30.3	2.6999.071.0	11	clip D4x10.5
30.4	0.013.2004.0/10	1	gasket
30.5	0.013.1759.0/10	1	small tank
30.6	2.0363.103.3	16	screw 4x10
30.7	0.013.1757.3/10	1	small tank
30.8	0.013.1763.2	1	front grille
30.9	0.013.2044.2	2	screw
30.10	0.013.1630.0/10	1	hood
30.11	0.013.5365.4/10	1	cover
30.13	2.0330.204.2	20	screw m 4.0 x 12
30.14	0.013.5367.4/10	1	cover
30.15	0.013.5366.4/10	1	cover
30.17	0.010.9724.4/10	3	mixer
30.18	2.6999.064.6	2	special nut m 6
30.21	0.013.3019.0	1	special oil seal
30.22	0.013.3017.0	1	special oil seal
30.23	0.016.0639.0	1	sound deadening
30.24	0.016.0638.0	1	sound deadening
30.25	0.016.0637.0	1	sound deadening
30.26	0.016.0635.0	1	sound deadening
30.27	0.016.0636.0	1	sound deadening
31	2.3199.114.0	2	plug mm 14.5

AGROTRON K 610 PROFILINE ->ZKDL530400TD15001

Section: G0 - BODYWORK - CAB

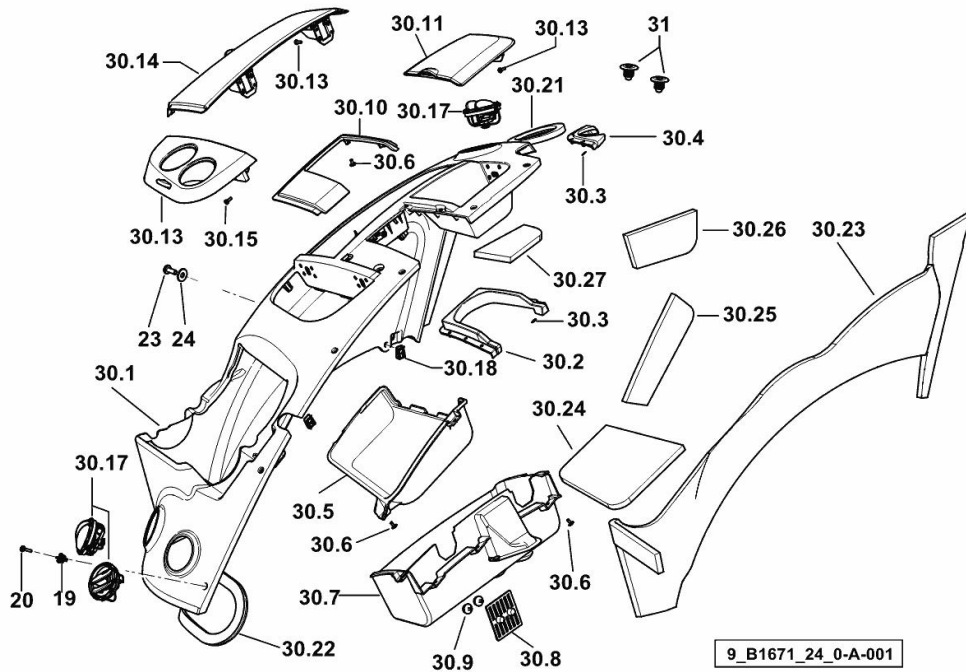
Ref: G0.06.16 (2)

CONTROL CONSOLE SX/LH/LI

Fig.	P/n	QTY	Name
------	-----	-----	------

Notes:

[AGROTRON K 610 PROFILINE ->ZKDL530400TD15001]



19	2.6999.070.0	6	bush
20	2.0363.209.3	5	screw m 5 x 30
23	2.0330.507.2	3	screw m 8 p.1.25 x 20
24	2.1312.004.2	3	washer 8x24x2
30.1	0.013.1998.3/10	1	console
30.2	0.013.1603.0/10	1	gasket
30.3	2.6999.071.0	11	clip D4x10.5
30.4	0.013.2004.0/10	1	gasket
30.5	0.013.1759.0/10	1	small tank
30.6	2.0363.103.3	16	screw 4x10
30.7	0.013.1757.3/10	1	small tank
30.8	0.013.1763.2	1	front grille
30.9	0.013.2044.2	2	screw
30.10	0.013.1630.0/10	1	hood
30.11	0.013.5365.4/10	1	cover
30.13	2.0330.204.2	20	screw m 4.0 x 12
30.14	0.013.5367.4/10	1	cover
30.15	0.013.5366.4/10	1	cover
30.17	0.010.9724.4/10	3	mixer
30.18	2.6999.064.6	2	special nut m 6
30.21	0.013.3019.0	1	special oil seal
30.22	0.013.3017.0	1	special oil seal
30.23	0.016.0639.0	1	sound deadening
30.24	0.016.0638.0	1	sound deadening
30.25	0.016.0637.0	1	sound deadening
30.26	0.016.0635.0	1	sound deadening
30.27	0.016.0636.0	1	sound deadening
31	2.3199.114.0	2	plug mm 14.5

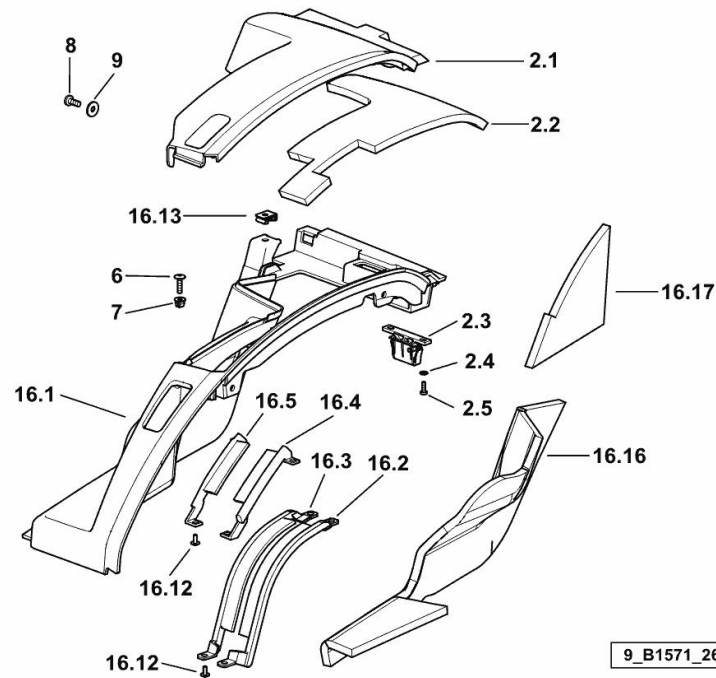
**HANDBRAKE CONSOLE**

Fig.	P/n	QTY	Name
------	-----	-----	------

**Notes:**

[AGROTRON K 610 PROFILINE ->ZKDL530400TD15001]

2.1	0.013.1745.2	1	cover
2.2	0.016.0647.0	1	sound deadening
2.3	0.013.2047.0	1	interlock
2.4	2.0330.204.2	2	screw m 4.0 x 12
2.5	2.1310.028.2	2	flat washer
6	2.0363.209.3	5	screw m 5 x 30
7	2.6999.069.0	5	nut
8	2.0330.406.2	2	screw m 6 p.1.0 x 16
9	2.1312.003.2	2	washer 6
16.1	0.013.1951.0/10	1	support
16.2	0.013.9426.2	1	brush
16.3	0.013.9425.2	1	brush
16.4	0.014.0650.2	1	brush
16.5	0.014.0651.2	1	brush
16.12	2.0363.103.3	8	screw 4x10
16.13	2.6999.064.6	1	special nut m 6
16.16	0.016.0646.0	1	sound deadening
16.17	0.016.0645.0	1	sound deadening



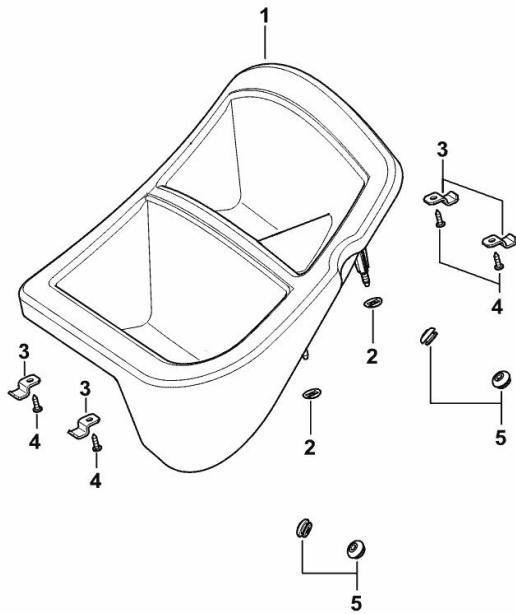
**COVER PLATE**

Fig.	P/n	QTY	Name
------	-----	-----	------

**Notes:**

- FOR TYPES WITHOUT SECOND DRIVER'S SEAT [AGROTRON K 610 PROFILINE ->ZKDL530400TD15001]

1	0.014.7436.0	1	cover
2	2.6999.053.0	4	clip D5x15
3	0.014.7453.0	4	stop
4	2.0350.254.3	4	screw m 3.5x13
5	2.3199.328.0	4	plug



9\_B1578\_07\_0-A-001

**Buy Now**



Our support email:

[ebooklibonline@outlook.com](mailto:ebooklibonline@outlook.com)