

AGROTRON K 610 PROFILINE ->ZKDT710200TD15001

Section: H0 - HYDRAULIC AND PNEUMATIC SYSTEM|

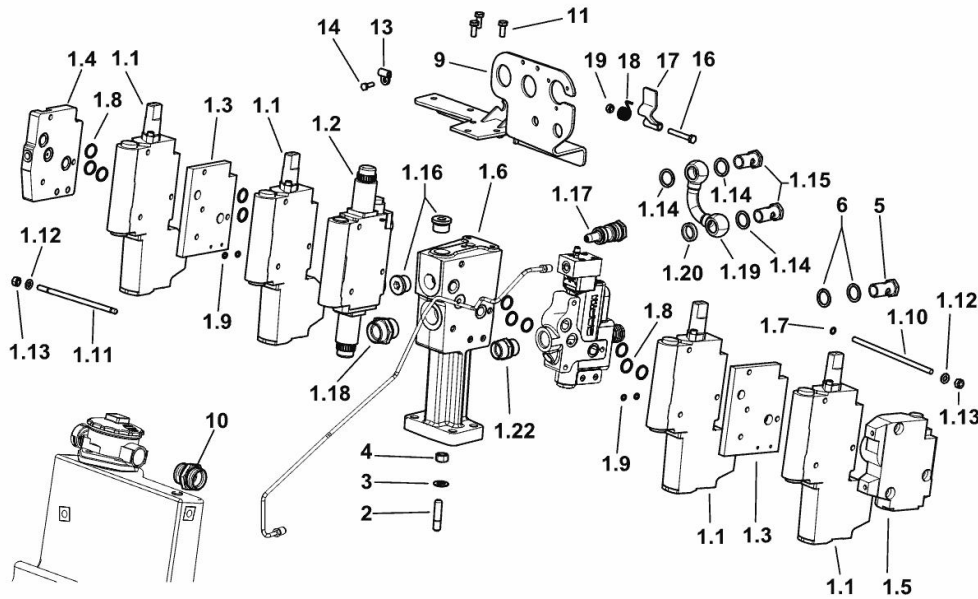
Ref: H0.07.3 (1)

8-WAY HYDRAULIC CONTROL VALVE

| Fig. | P/n | QTY | Name |
|------|-----|-----|------|
|------|-----|-----|------|

Notes:

- FOR TYPES WITH HYDRAULIC TRAILER BRAKING (FRANCE) [AGROTRON K 610 PROFILINE ->ZKDT710200TD15001] 15054 <-



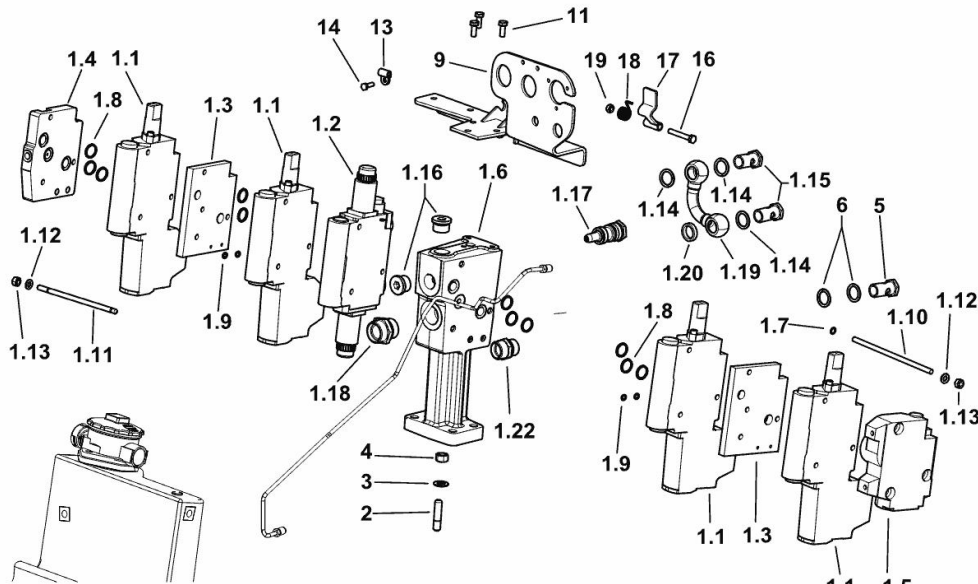
| | | | |
|------|-----------------|----|-------------------------------------|
| 1.1 | 04455074 | 4 | valve ☞ 04455074 |
| 1.2 | 04451764 | 1 | spool valve EHR 23-LS ☞ 04451764 |
| 1.3 | 0.012.2329.0/10 | 2 | plate 13 mm |
| 1.4 | 04451514/20 | 1 | tip |
| 1.5 | 2.3729.100.0/10 | 1 | plate EHS ☞ 2.3729.100.0/10 |
| 1.6 | 04453409.4/10 | 1 | spool valve |
| 1.7 | 2.1589.471.0 | 15 | shim 8.1x11.8x0.04 |
| 1.8 | 2.1531.048.0 | 15 | oil seal 18.72x2.62 |
| 1.9 | 2.1531.012.0 | 10 | oil seal 6.75 x 1.78 |
| 1.10 | 2.0433.034.2 | 3 | stud bolt m 8 p.1x190 |
| 1.11 | 2.0433.031.2 | 3 | stud bolt m 8 p.1x160 |
| 1.12 | 2.1475.102.2 | 6 | washer 8.4 x 16 |
| 1.13 | 2.1019.174.2 | 6 | nut m8 p.1 |
| 1.14 | 01173526 | 3 | ring 22.7 x 30 x 2 |
| 1.15 | 2.3335.009.2 | 2 | pipe union m 22 p.1.5 x 39 |
| 1.16 | 04451879 | 2 | plug m 27 p.2 |
| 1.17 | 04454541 | 1 | valve |
| 1.18 | 01177224 | 1 | pipe fitting |
| 1.19 | 0.016.0488.2/10 | 1 | tube |
| 1.20 | 2.1549.649.0 | 1 | spacer |
| 1.22 | 04454007 | 1 | pipe union |
| 2 | 2.0432.259.7 | 4 | stud bolt m 12 p.1.75-1.25x35 |
| 3 | 2.1475.004.2 | 4 | spring washer 12 |
| 4 | 2.1011.422.2 | 4 | nut m 12 p.1.25 |
| 5 | 2.1561.012.0 | 2 | gasket |
| 6 | 2.3335.009.2 | 1 | pipe union m 22 p.1.5 x 39 |
| 9 | 04452891.3/50 | 1 | support |
| 10 | 04453962 | 1 | pipe union |
| 11 | 2.0114.207.2 | 3 | screw m 8 p.1.25 x 20 |
| 13 | 01171262 | 1 | fascia b 6x15 h3223 |
| 14 | 2.0112.007.2 | 1 | screw m 6 p.1 x 20 |
| 16 | 2.0112.220.2 | 1 | screw m 8 p.1.25x55 |
| 17 | 04451512.4 | 1 | lever |
| 18 | 04315063 | 1 | spring |
| 19 | 01136452 | 1 | nut vm 8 d980 |

AGROTRON K 610 PROFILINE ->ZKDT710200TD15001

Section: H0 - HYDRAULIC AND PNEUMATIC SYSTEM|

Ref: H0.07.3 (2)

8-WAY HYDRAULIC CONTROL VALVE



9_L5488_16_0-A-002

| Fig. | P/n | QTY | Name |
|------|-----|-----|------|
|------|-----|-----|------|

Notes:

- FOR TYPES WITH HYDRAULIC TRAILER BRAKING (FRANCE) [AGROTRON K 610 PROFILINE ->ZKDT710200TD15001] -> 15082

| | | | |
|------|-----------------|----|-------------------------------------|
| 1.1 | 04455074 | 4 | valve ☞ 04455074 |
| 1.2 | 04451764 | 1 | spool valve EHR 23-LS ☞ 04451764 |
| 1.3 | 0.012.2329.0/10 | 2 | plate 13 mm |
| 1.4 | 04451514/20 | 1 | tip |
| 1.5 | 2.3729.100.0/10 | 1 | plate EHS ☞ 2.3729.100.0/10 |
| 1.6 | 04453409.4/10 | 1 | spool valve |
| 1.7 | 2.1589.471.0 | 15 | shim 8.1x11.8x0.04 |
| 1.8 | 2.1531.048.0 | 15 | oil seal 18.72x2.62 |
| 1.9 | 2.1531.012.0 | 10 | oil seal 6.75 x 1.78 |
| 1.10 | 2.0433.034.2 | 3 | stud bolt m 8 p.1x190 |
| 1.11 | 2.0433.031.2 | 3 | stud bolt m 8 p.1x160 |
| 1.12 | 2.1475.102.2 | 6 | washer 8.4 x 16 |
| 1.13 | 2.1019.174.2 | 6 | nut m8 p.1 |
| 1.14 | 01173526 | 3 | ring 22.7 x 30 x 2 |
| 1.15 | 2.3335.009.2 | 2 | pipe union m 22 p.1.5 x 39 |
| 1.16 | 04451879 | 2 | plug m 27 p.2 |
| 1.17 | 04454541 | 1 | valve |
| 1.18 | 01177224 | 1 | pipe fitting |
| 1.19 | 0.016.0488.2/10 | 1 | tube |
| 1.20 | 2.1549.649.0 | 1 | spacer |
| 1.22 | 04454007 | 1 | pipe union |
| 2 | 2.0432.259.7 | 4 | stud bolt m 12 p.1.75-1.25x35 |
| 3 | 2.1475.004.2 | 4 | spring washer 12 |
| 4 | 2.1011.422.2 | 4 | nut m 12 p.1.25 |
| 5 | 2.1561.012.0 | 2 | gasket |
| 6 | 2.3335.009.2 | 1 | pipe union m 22 p.1.5 x 39 |
| 9 | 04452891.3/70 | 1 | support |
| 11 | 2.0114.207.2 | 3 | screw m 8 p.1.25 x 20 |
| 13 | 01171262 | 1 | fascia b 6x15 h3223 |
| 14 | 2.0112.007.2 | 1 | screw m 6 p.1 x 20 |
| 16 | 2.0112.220.2 | 1 | screw m 8 p.1.25x55 |
| 17 | 04451512.4 | 1 | lever |
| 18 | 04315063 | 1 | spring |
| 19 | 01136452 | 1 | nut vm 8 d980 |

AGROTRON K 610 PROFILINE ->ZKDT710200TD15001

Section: H0 - HYDRAULIC AND PNEUMATIC SYSTEM]

Ref: H0.07.4 (1)

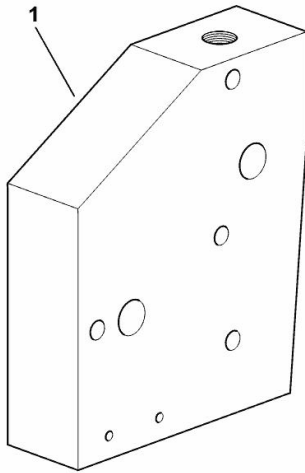
CONNECTING PLATE

| Fig. | P/n | QTY | Name |
|------|-----|-----|------|
|------|-----|-----|------|

Notes:

[AGROTRON K 610 PROFILINE ->ZKDT710200TD15001]

| | | | |
|---|------------|---|-------|
| 1 | 04453138.4 | 1 | plate |
|---|------------|---|-------|



9_B1688_20_0-A-001

AGROTRON K 610 PROFILINE ->ZKDT710200TD15001

Section: H0 - HYDRAULIC AND PNEUMATIC SYSTEM]

Ref: H0.07.5 (1)

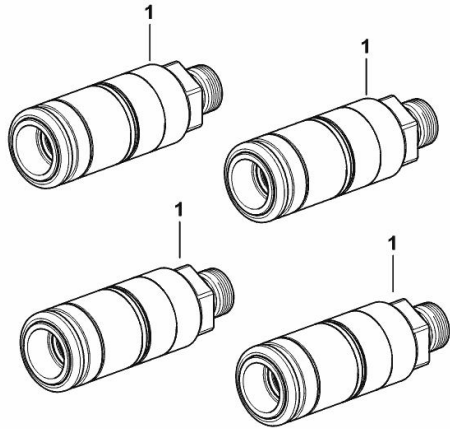
4 REAR QUICK ACTION COUPLERS

| Fig. | P/n | QTY | Name |
|------|-----|-----|------|
|------|-----|-----|------|

Notes:

[AGROTRON K 610 PROFILINE ->ZKDT710200TD15001]

| | | | |
|---|-------------|---|--|
| 1 | 04412157/10 | 4 | coupling FASTER - m 22 p.1.5 / Ø 38 ☞ 04412157/10 |
|---|-------------|---|--|



9_B3588_36_0-A-001

AGROTRON K 610 PROFILINE ->ZKDT710200TD15001

Section: H0 - HYDRAULIC AND PNEUMATIC SYSTEM|

Ref: H0.07.6 (1)

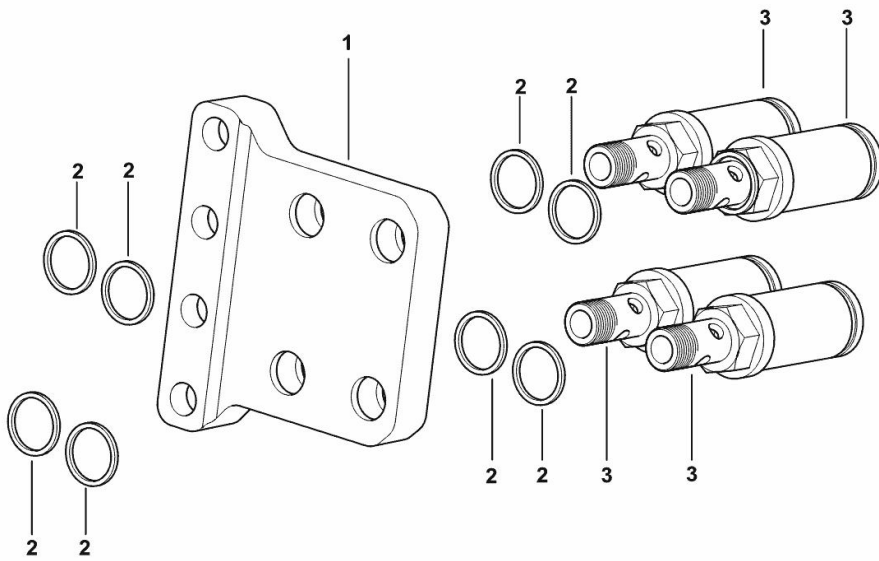
4-WAY QUICK COUPLERS

| Fig. | P/n | QTY | Name |
|------|-----|-----|------|
|------|-----|-----|------|

Notes:

- FOR TYPES WITHOUT FRONT LOADER [AGROTRON K 610 PROFILINE ->ZKDT710200TD15001]

| | | | |
|---|-------------|---|----------------|
| 1 | 04454595/10 | 1 | plate |
| 2 | 04454693 | 8 | oil seal |
| 3 | 04454777 | 4 | quick coupling |



9_B1759_79_0-B-001

AGROTRON K 610 PROFILINE ->ZKDT710200TD15001

Section: H0 - HYDRAULIC AND PNEUMATIC SYSTEM|

Ref: H0.07.7 (1)

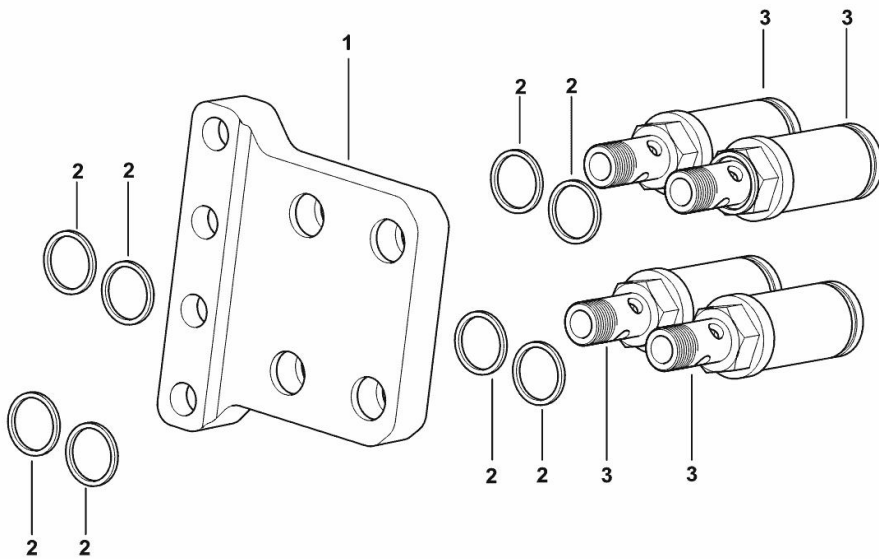
4-WAY QUICK COUPLERS

| Fig. | P/n | QTY | Name |
|------|-----|-----|------|
|------|-----|-----|------|

Notes:

- FOR TYPES WITH FRONT LOADER [AGROTRON K 610 PROFILINE ->ZKDT710200TD15001]

| | | | |
|---|-------------|---|----------------|
| 1 | 04454595/10 | 1 | plate |
| 2 | 04454693 | 8 | oil seal |
| 3 | 04454777 | 4 | quick coupling |



9_B1759_78_0-B-001

AGROTRON K 610 PROFILINE ->ZKDT710200TD15001

Section: H0 - HYDRAULIC AND PNEUMATIC SYSTEM]

Ref: H0.07.8 (1)

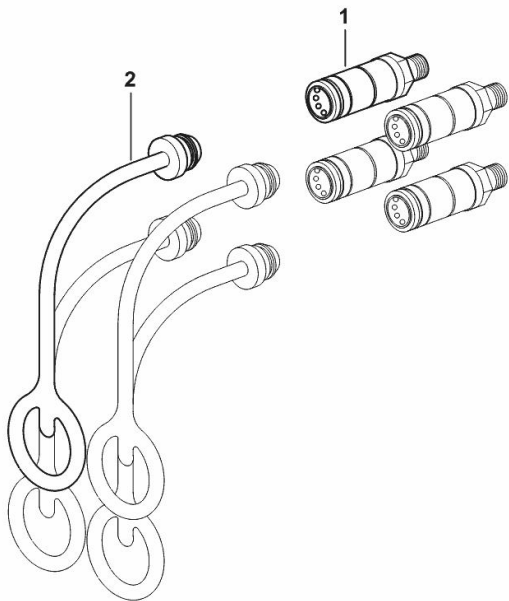
4-WAY QUICK-ACTION COUPLERS

| Fig. | P/n | QTY | Name |
|------|-----|-----|------|
|------|-----|-----|------|

Notes:

[AGROTRON K 610 PROFILINE ->ZKDT710200TD15001]

| | | | |
|---|-------------|---|--|
| 1 | 04412157/10 | 4 | coupling FASTER - m 22 p.1.5 / Ø 38 ☞ 04412157/10 |
| 2 | 04416003 | 4 | guard |



9_A3988_42_0-A-001

Buy Now



Our support email:

ebooklibonline@outlook.com