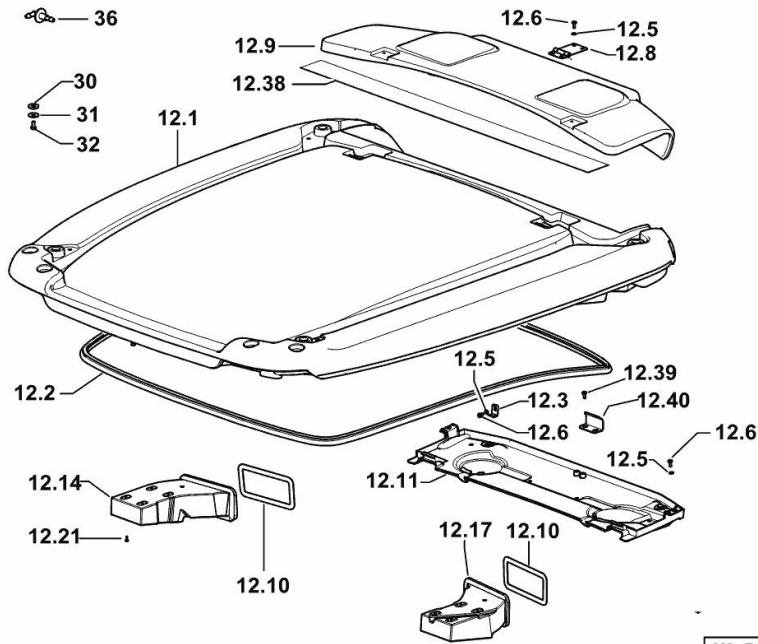


DRIVER'S CAB ROOF

Fig.	P/n	QTY	Name
------	-----	-----	------

Notes:

WITHOUT SKYLIGHT [Agrotron K 90 -> 8155 1001]



12.1	0.013.2141.2/50	1	roof
12.2	0.012.8429.0	4.56	gasket
12.3	0.013.2483.0/20	2	bracket
12.5	2.1310.002.2	10	flat washer 6.4x12.5
12.6	2.0330.406.2	10	screw m 6 p.1.0 x 16
12.8	0.013.0232.4	2	hinge
12.9	0.013.0222.2/30	1	cover
12.10	0.013.2145.0	3	gasket
12.11	0.013.0223.0/60	1	cover
12.14	0.013.0229.2/10	1	body dx/rh/re
12.17	0.013.0230.2/10	1	body sx/lh/li
12.21	2.0330.204.2	6	screw m 4.0 x 12
12.38	0.014.4868.0	1	gasket
12.39	2.0330.404.2	2	screw m 6 x 12
12.40	0.014.5794.0	1	bracket
30	2.1569.211.0	16	gasket 11.5x30x5
31	2.1549.599.2	7	washer 9x30x3
32	2.0114.209.2	7	screw m 8 x 25
36	04413182	1	vent L

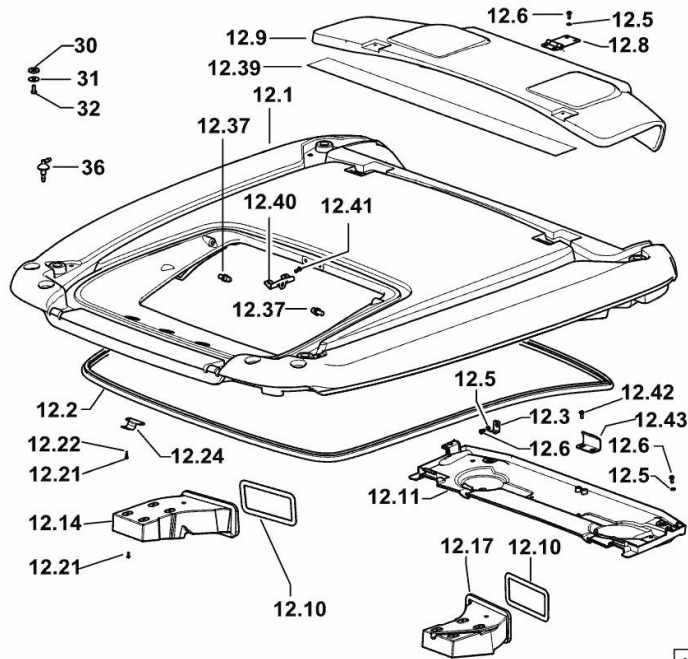
K9_B1571_22_0-A-001

DRIVER'S CAB ROOF

Fig.	P/n	QTY	Name
------	-----	-----	------

Notes:

WITH HATCH [Agrotron K 90 -> 8155 1001] 1894 <-



K9_B1571_21_0-A-001

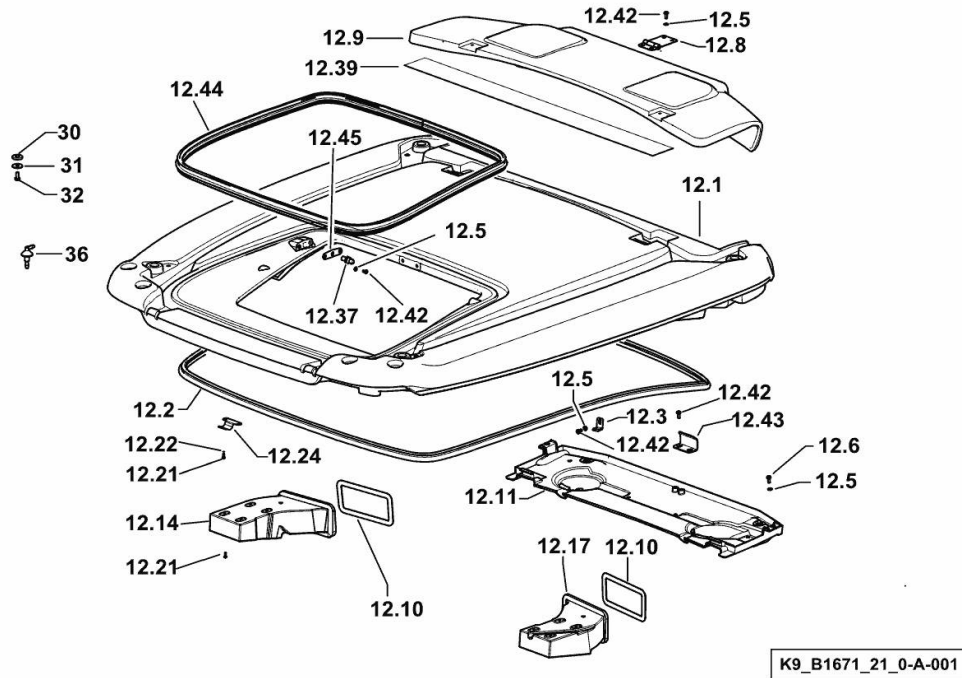
12.1	0.012.3247.2/30	1	roof
12.2	0.012.8429.0	4,56	gasket
12.3	0.013.2483.0/20	2	bracket
12.5	2.1310.002.2	14	flat washer 6.4x12.5
12.6	2.0330.406.2	12	screw m 6 p.1.0 x 16
12.8	0.013.0232.4	2	hinge
12.9	0.013.0222.2/30	1	cover
12.10	0.013.2145.0	3	gasket
12.11	0.013.0223.0/60	1	cover
12.14	0.013.0229.2/10	1	body dx/rh/re
12.17	0.013.0230.2/10	1	body sx/lh/li
12.21	2.0330.204.2	14	screw m 4.0 x 12
12.22	2.1310.028.2	2	flat washer
12.24	0.013.2146.0/10	1	bracket
12.37	04399070	2	ball joint
12.39	0.014.4868.0	1	gasket
12.40	0.014.4989.0/10	2	support
12.41	2.0363.306.3	4	screw m 6x18
12.42	2.0330.404.2	2	screw m 6 x 12
12.43	0.014.5794.0	1	bracket
30	2.1569.211.0	16	gasket 11.5x30x5
31	2.1549.599.2	7	washer 9x30x3
32	2.0112.206.2	7	screw m 8 p.1.25 x 18
36	04413182	1	vent L

DRIVER'S CAB ROOF

Fig.	P/n	QTY	Name
------	-----	-----	------

Notes:

WITH HATCH [Agrotron K 90 -> 8155 1001] -> 1896



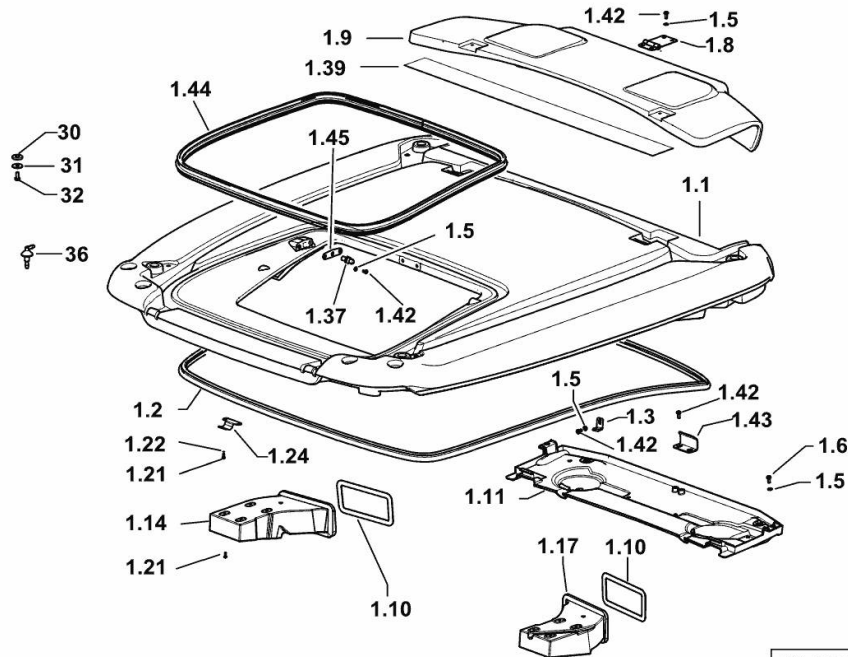
12.1	0.014.5085.2/20	1	roof
12.2	0.012.8429.0	4,56	gasket
12.3	0.013.2483.0/20	2	bracket
12.5	2.1310.002.2	18	flat washer 6.4x12.5
12.6	2.0330.406.2	2	screw m 6 p.1.0 x 16
12.8	0.013.0232.4	2	hinge
12.9	0.013.0222.2/30	1	cover
12.10	0.013.2145.0	3	gasket
12.11	0.013.0223.0/60	1	cover
12.14	0.013.0229.2/10	1	body dx/rh/re
12.17	0.013.0230.2/10	1	body sx/lh/li
12.21	2.0330.204.2	14	screw m 4.0 x 12
12.22	2.1310.028.2	2	flat washer
12.24	0.013.2146.0/10	1	bracket
12.37	04399070	2	ball joint
12.39	0.014.4868.0	1	gasket
12.42	2.0330.404.2	16	screw m 6 x 12
12.43	0.014.5794.0	1	bracket
12.44	0.014.4930.0	1	gasket
12.45	0.014.4938.0	2	bracket
30	2.1569.211.0	14	gasket 11.5x30x5
31	2.1549.599.2	7	washer 9x30x3
32	2.0112.206.2	7	screw m 8 p.1.25 x 18
36	04413182	1	vent L

DRIVER'S CAB ROOF

Fig.	P/n	QTY	Name
------	-----	-----	------

Notes:

- ROOF VERSION WITH ORANGE HATCH [Agrotron K 90 -> 8155 1001]



K9_B1771_21_0-A-001

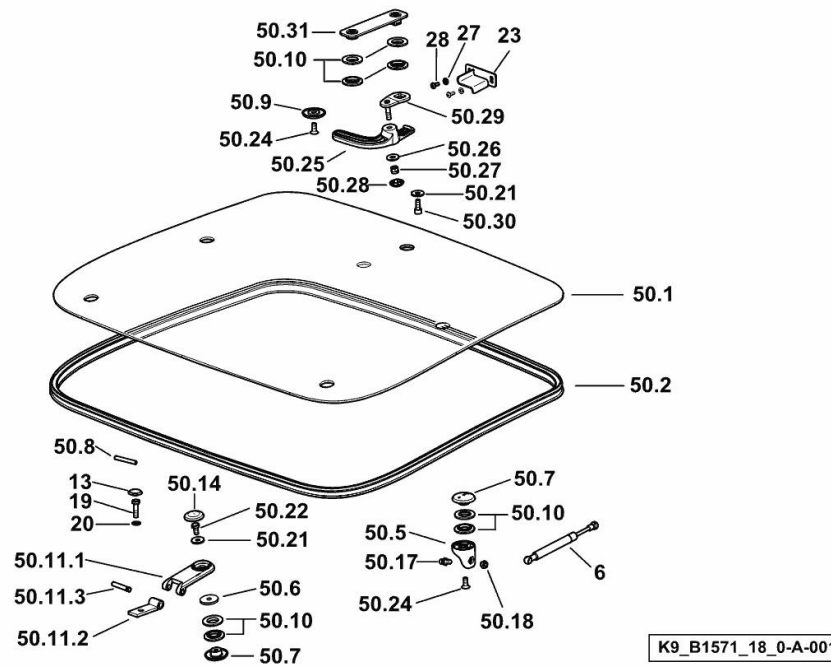
1.1	0.014.8045.2/10	1	roof
1.2	0.012.8429.0	4,56	gasket
1.3	0.013.2483.0/20	2	bracket
1.5	2.1310.002.2	18	flat washer 6.4x12.5
1.6	2.0330.406.2	2	screw m 6 p.1.0 x 16
1.8	0.013.0232.4	2	hinge
1.9	0.014.8037.2	1	cap
1.10	0.013.2145.0	3	gasket
1.11	0.013.0223.0/60	1	cover
1.14	0.013.0229.2/10	1	body dx/rh/re
1.17	0.013.0230.2/10	1	body sx/lh/li
1.21	2.0330.204.2	14	screw m 4.0 x 12
1.22	2.1310.028.2	2	flat washer
1.24	0.013.2146.0/10	1	bracket
1.37	04399070	2	ball joint
1.39	0.014.4868.0	1	gasket
1.42	2.0330.404.2	16	screw m 6 x 12
1.43	0.014.5794.0	1	bracket
1.44	0.014.4930.0	1	gasket
1.45	0.014.4938.0	2	bracket
30	2.1569.211.0	14	gasket 11.5x30x5
31	2.1549.599.2	7	washer 9x30x3
32	2.0112.206.2	7	screw m 8 p.1.25 x 18
36	04413182	1	vent L

SKYLIGHT

Fig.	P/n	QTY	Name
------	-----	-----	------

Notes:

[Agrotron K 90 -> 8155 1001] 1894 <-



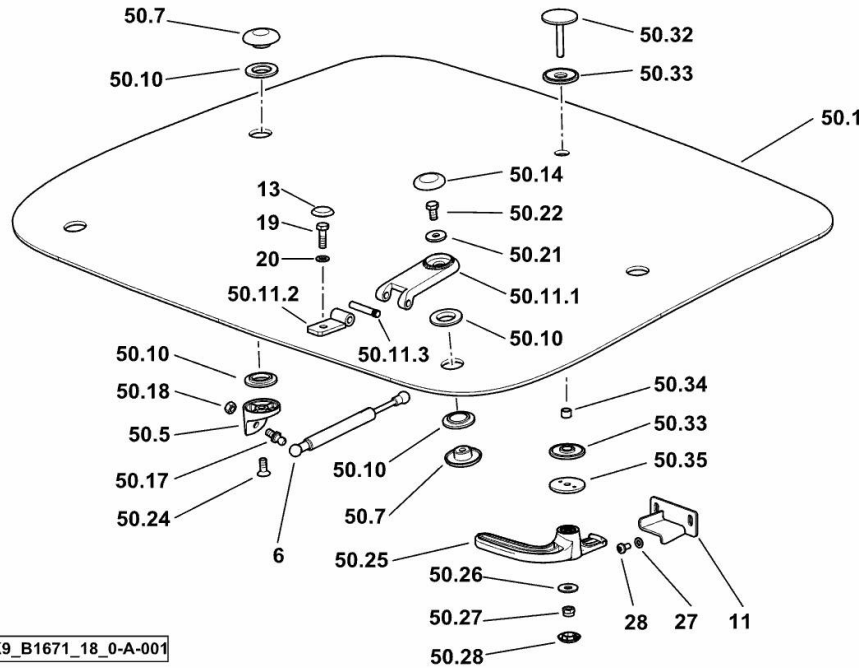
6	04414159	2	shock absorber
13	04413793	2	cap
19	2.0112.211.2	2	screw m 8 p.1.25 x 30
20	2.1310.004.2	2	flat washer 8.4x17
23	0.014.4872.2	1	bracket
27	2.1310.002.2	2	flat washer 6.4x12.5
28	2.0332.404.2	2	screw m 6 p.1 x 12
50.1	0.012.3242.0/10	1	hatch panel
50.2	04419141	2.96	gasket
50.5	0.012.6175.0	2	support
50.6	03392102	2	washer
50.7	0.012.6176.2/10	4	washer
50.8	04418372	0.05	sealing section
50.9	0.012.6177.0	1	washer
50.10	0.012.6178.0	12	gasket
50.11.1	0.012.6174.0/20	1	hinge
50.11.2	0.014.5885.2	1	hinge
50.11.3	2.1699.486.2	1	pin
50.14	0.012.6180.0	2	cap
50.17	04399070	2	ball joint
50.18	2.1011.105.2	2	nut m 8 p.1.25
50.21	2.1579.837.2	3	spacer 8 x 25 x 3
50.22	2.0112.207.2	2	screw m 8 p 1.25 x 20
50.24	2.0342.305.3	3	screw m 8 x 20
50.25	0.014.4905.0	1	interlock
50.26	2.1312.004.2	1	washer 8x24x2
50.27	2.1120.005.2	1	nut m 8 p.1.25
50.28	04413793	1	cap
50.29	0.014.4871.2	1	support
50.30	2.0312.206.2	1	screw m 8 p 1.25 x 20
50.31	0.014.4904.2	1	hood

SKYLIGHT

Fig.	P/n	QTY	Name
------	-----	-----	------

Notes:

[Agrotron K 90 -> 8155 1001] -> 1896



6	04414159	2	shock absorber
11	0.014.4993.2	1	support
13	04413793	2	cap
19	2.0112.209.2	2	screw m 8 p 1.25 x 25
20	2.1310.004.2	2	flat washer 8.4x17
27	2.1310.002.2	2	flat washer 6.4x12.5
28	2.0330.404.2	2	screw m 6 x 12
50.1	0.014.5497.0/10	1	glass
50.5	0.012.6175.0	2	support
50.7	0.012.6176.2/10	4	washer
50.10	0.012.6178.0	8	gasket
50.11.1	0.012.6174.0/20	1	hinge
50.11.2	0.014.5885.2	1	hinge
50.11.3	2.1699.486.2	1	pin
50.14	0.012.6180.0	2	cap
50.17	04399070	2	ball joint
50.18	2.1011.105.2	2	nut m 8 p.1.25
50.21	2.1579.837.2	2	spacer 8 x 25 x 3
50.22	2.0112.205.2	2	screw m 8 p.1.25 x 16
50.24	2.0342.305.3	2	screw m 8 x 20
50.25	0.010.6477.0	1	handle
50.26	2.1312.004.2	1	washer 8x24x2
50.27	2.1120.005.2	1	nut m 8 p.1.25
50.28	04413793	1	cap
50.32	0.014.4958.2/10	1	small pin
50.33	0.014.4959.0	2	rubber bushing
50.34	2.1579.776.0	1	spacer 8.8x12x8
50.35	0.014.4966.0	1	washer

K9_B1671_18_0-A-001

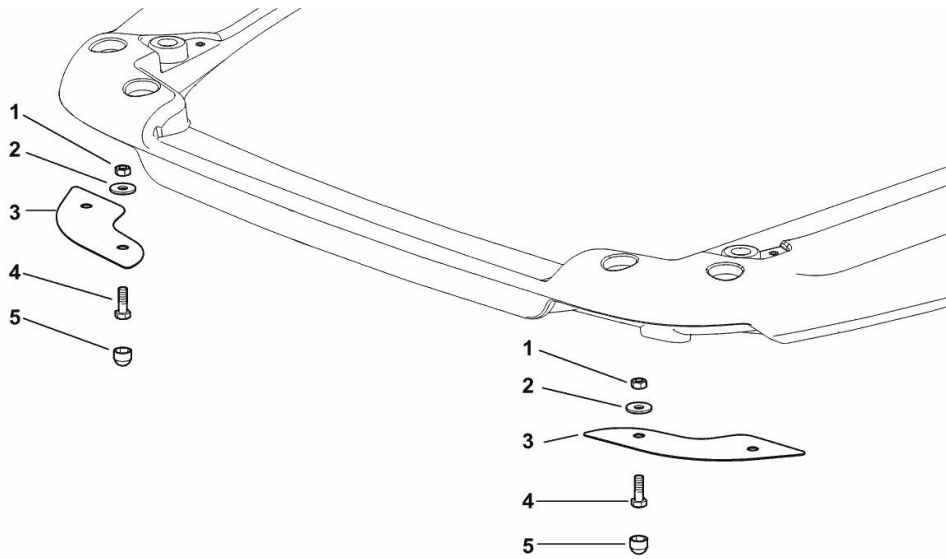
STEEL SHEETS FOR BRIDLES

Fig.	P/n	QTY	Name
------	-----	-----	------

Notes:

[Agrotron K 90 -> 8155 1001]

1	2.1011.106.2	2	nut m 10 p.1.5
2	2.1312.005.2	2	washer 10.2
3	0.016.1198.0	2	guard
4	2.0112.311.2	2	screw m 10 p.1.5 x 30
5	0.166.7868.0	2	cap



K9_L3971_25_0-A-001

Buy Now



Our support email:

ebooklibonline@outlook.com