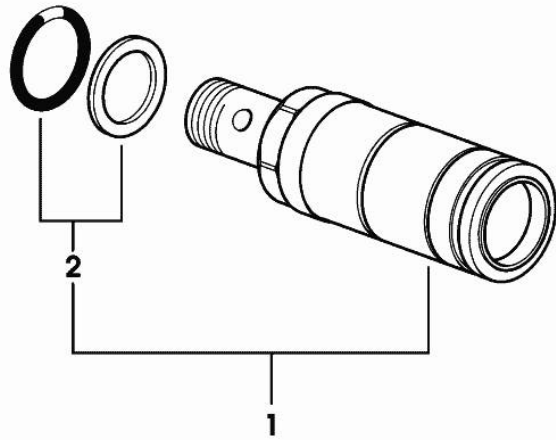


ENGAGEMENT

Fig.	P/n	QTY	Name
1	0.010.9832.0	1	coupling
2	04438079	1	seal ring kit



010_9832_0

AGROTRON L730

Section: H0 - HYDRAULIC AND PNEUMATIC SYSTEM|

Ref: H0.07.0 (1)

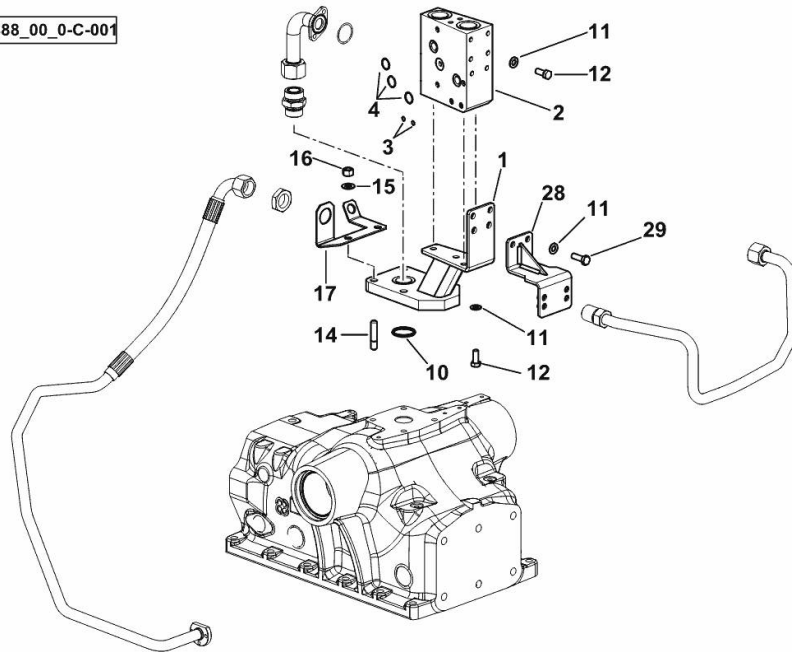
AUXILIARY HYDRAULIC DISTRIBUTOR

Fig.	P/n	QTY	Name
------	-----	-----	------

Notes:
[AGROTRON L730]

1	0.018.3790.2/20	1	bracket
2	0.018.0456.0/30	1	manifold
3	2.1531.012.0	2	oil seal 6.75 x 1.78
4	2.1531.048.0	3	oil seal 18.72x2.62
10	2.1532.098.0	1	oil seal 37.70x3.53
11	2.1475.003.2	11	washer 10
12	2.0112.309.2	9	screw m 10 p.1.5 x 25
14	2.0432.261.7	4	stud bolt m 12 p.1.75-1.25x40
15	2.1475.004.2	4	spring washer 12
16	2.1011.422.2	4	nut m 12 p.1.25
17	0.018.3792.0/10	1	bracket
28	0.018.6919.3	1	bracket
29	2.0112.311.2	2	screw m 10 p.1.5 x 30

K9_U0888_00_0-C-001



AGROTRON L730

Section: H0 - HYDRAULIC AND PNEUMATIC SYSTEM|

Ref: H0.07.1 (1)

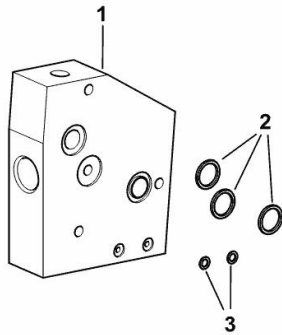
CONNECTING PLATE

Fig.	P/n	QTY	Name
------	-----	-----	------

Notes:

- FOR TYPES WITHOUT HYDRAULIC TRAILER BRAKING [AGROTRON L730]

1	04453138.4	1	plate
2	2.1531.048.0	3	oil seal 18.72x2.62
3	2.1531.012.0	2	oil seal 6.75 x 1.78



K9_R5182_40_0-A-001

AGROTRON L730

Section: H0 - HYDRAULIC AND PNEUMATIC SYSTEM|

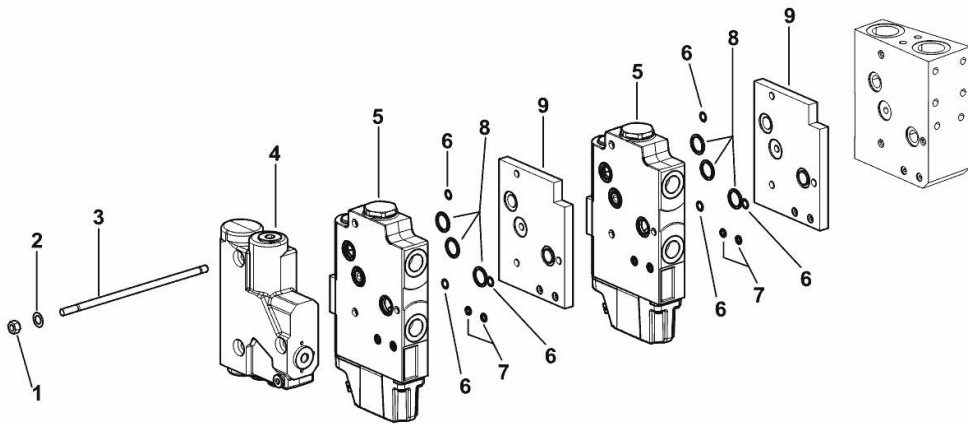
Ref: H0.07.2 (1)

8-WAY AUXILIARY DISTRIBUTOR

Fig.	P/n	QTY	Name
------	-----	-----	------

Notes:
[AGROTRON L730]

1	2.1012.305.7	6	nut m 8 p.1 x 8
2	2.1475.102.2	6	washer 8.4 x 16
3	2.0439.311.7/30	3	stud bolt m 8x210
4	2.3729.012.0	1	plate EHS ☞ 2.3729.012.0
5	2.3729.005.0	4	spool valve EHS1 ☞ 2.3729.005.0
6	2.1589.471.0	15	shim 8.1x11.8x0.04
7	2.1531.012.0	10	oil seal 6.75 x 1.78
8	2.1531.048.0	15	oil seal 18.72x2.62
9	0.012.2329.0/10	4	plate 13 mm



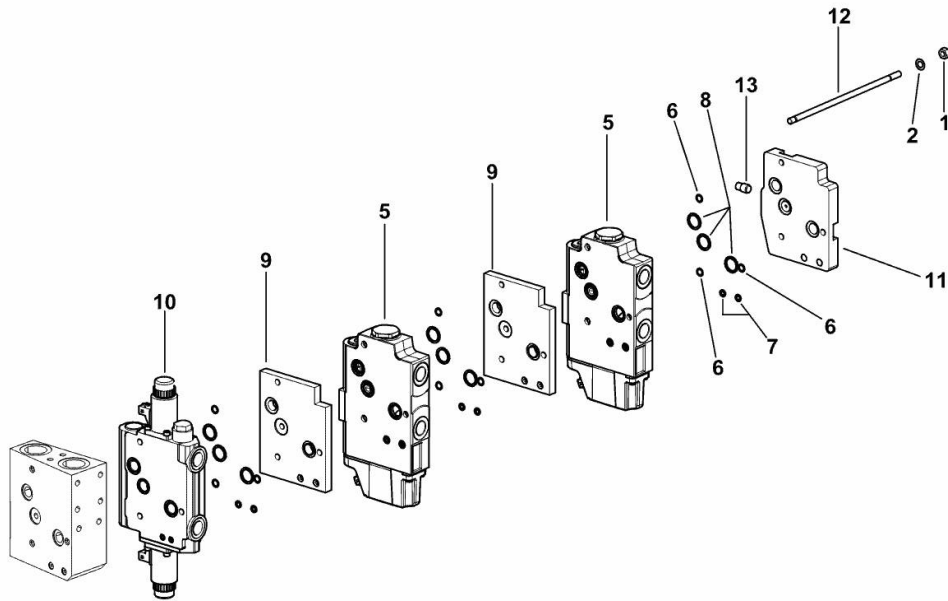
K9_U0888_35_0-A-001

AGROTRON L730

Section: H0 - HYDRAULIC AND PNEUMATIC SYSTEM|

Ref: H0.07.3 (1)

8-WAY AUXILIARY DISTRIBUTOR



K9_U0888_35_0-B-001

Fig.	P/n	QTY	Name
------	-----	-----	------

Notes:

[AGROTRON L730]

1	2.1012.305.7	6	nut m 8 p.1 x 8
2	2.1475.102.2	6	washer 8.4 x 16
5	2.3729.005.0	4	spool valve EHS1 ☞ 2.3729.005.0
6	2.1589.471.0	15	shim 8.1x11.8x0.04
7	2.1531.012.0	10	oil seal 6.75 x 1.78
8	2.1531.048.0	15	oil seal 18.72x2.62
9	0.012.2329.0/10	4	plate 13 mm
10	04451764	1	spool valve EHR 23-LS ☞ 04451764
11	0.018.7577.0	1	tip
12	2.0433.032.7	3	stud bolt m 8x1x170
13	04451873	1	valve

AGROTRON L730

Section: H0 - HYDRAULIC AND PNEUMATIC SYSTEM|

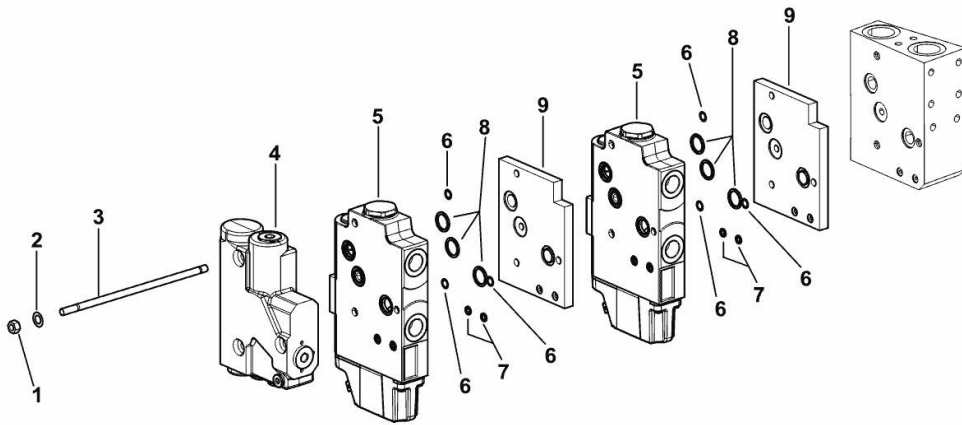
Ref: H0.07.4 (1)

10-WAY AUXILIARY DISTRIBUTOR

Fig.	P/n	QTY	Name
------	-----	-----	------

Notes:
[AGROTRON L730]

1	2.1012.305.7	6	nut m 8 p.1 x 8
2	2.1475.102.2	6	washer 8.4 x 16
3	2.0439.311.7/30	3	stud bolt m 8x210
4	2.3729.012.0	1	plate EHS ☞ 2.3729.012.0
5	2.3729.005.0	5	spool valve EHS1 ☞ 2.3729.005.0
6	2.1589.471.0	18	shim 8.1x11.8x0.04
7	2.1531.012.0	12	oil seal 6.75 x 1.78
8	2.1531.048.0	18	oil seal 18.72x2.62
9	0.012.2329.0/10	5	plate 13 mm



K9_U0888_45_0-A-001

AGROTRON L730

Section: H0 - HYDRAULIC AND PNEUMATIC SYSTEM]

Ref: H0.07.5 (1)

10-WAY AUXILIARY DISTRIBUTOR

K9_U0888_45_0-B-001

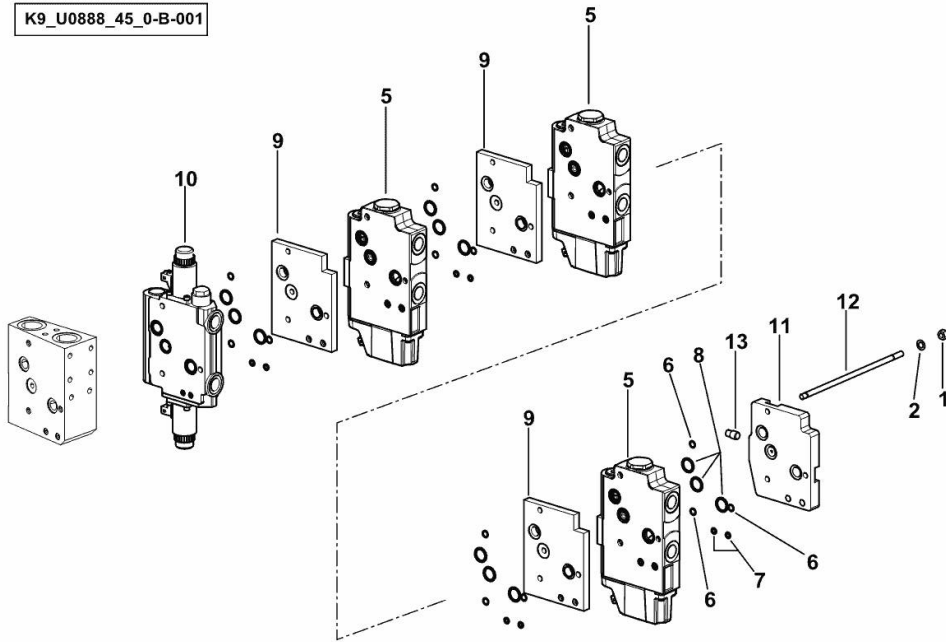


Fig.	P/n	QTY	Name
------	-----	-----	------

Notes:

[AGROTRON L730]

1	2.1012.305.7	6	nut m 8 p.1 x 8
2	2.1475.102.2	6	washer 8.4 x 16
5	2.3729.005.0	5	spool valve EHS1 ☞ 2.3729.005.0
6	2.1589.471.0	18	shim 8.1x11.8x0.04
7	2.1531.012.0	12	oil seal 6.75 x 1.78
8	2.1531.048.0	18	oil seal 18.72x2.62
9	0.012.2329.0/10	5	plate 13 mm
10	04451764	1	spool valve EHR 23-LS ☞ 04451764
11	0.018.7577.0	1	tip
12	2.0439.326.7/10	3	stud bolt m8x230
13	04451873	1	valve

Buy Now



Our support email:

ebooklibonline@outlook.com